



US00D671198S

(12) **United States Design Patent**
Bucher

(10) **Patent No.:** **US D671,198 S**

(45) **Date of Patent:** **** Nov. 20, 2012**

(54) **TOILET**

(75) **Inventor:** **Christophe Bucher**, Hillsborough, NJ
(US)

(73) **Assignee:** **AS IP Holdco, Inc.**, Piscataway, NJ
(US)

(**) **Term:** **14 Years**

(21) **Appl. No.:** **29/400,192**

(22) **Filed:** **Aug. 24, 2011**

(51) **LOC (9) Cl.** **23-02**

(52) **U.S. Cl.** **D23/301**

(58) **Field of Classification Search** D23/295,
D23/301, 303, 309, 313; 4/300, 333, 353,
4/420, 443

See application file for complete search history.

(56) **References Cited**

U.S. PATENT DOCUMENTS

D621,011	S	*	8/2010	Bucher	D23/301
D647,184	S	*	10/2011	Bates	D23/295
D656,229	S	*	3/2012	Wang et al.	D23/295
D662,575	S	*	6/2012	Corpuz et al.	D23/313

* cited by examiner

Primary Examiner — Robert Delehanty

(74) *Attorney, Agent, or Firm* — Flaster/Greenberg P.C.

(57) **CLAIM**

The ornamental design for a toilet, as shown and described.

DESCRIPTION

FIG. 1 is a perspective view of a toilet;
FIG. 2 is a front plan view of the toilet of FIG. 1;
FIG. 3 is a back plan view of the toilet of FIG. 1;
FIG. 4 is a right side view of the toilet of FIG. 1;
FIG. 5 is a left side view of the toilet of FIG. 1;
FIG. 6 is top view of the toilet of FIG. 1; and,
FIG. 7 is a bottom view of the toilet of FIG. 1.
The broken lines showing portions of the toilet are included for the purpose of illustrating a portion of the toilet that forms no part of the claimed design.

1 Claim, 7 Drawing Sheets





FIG. 1

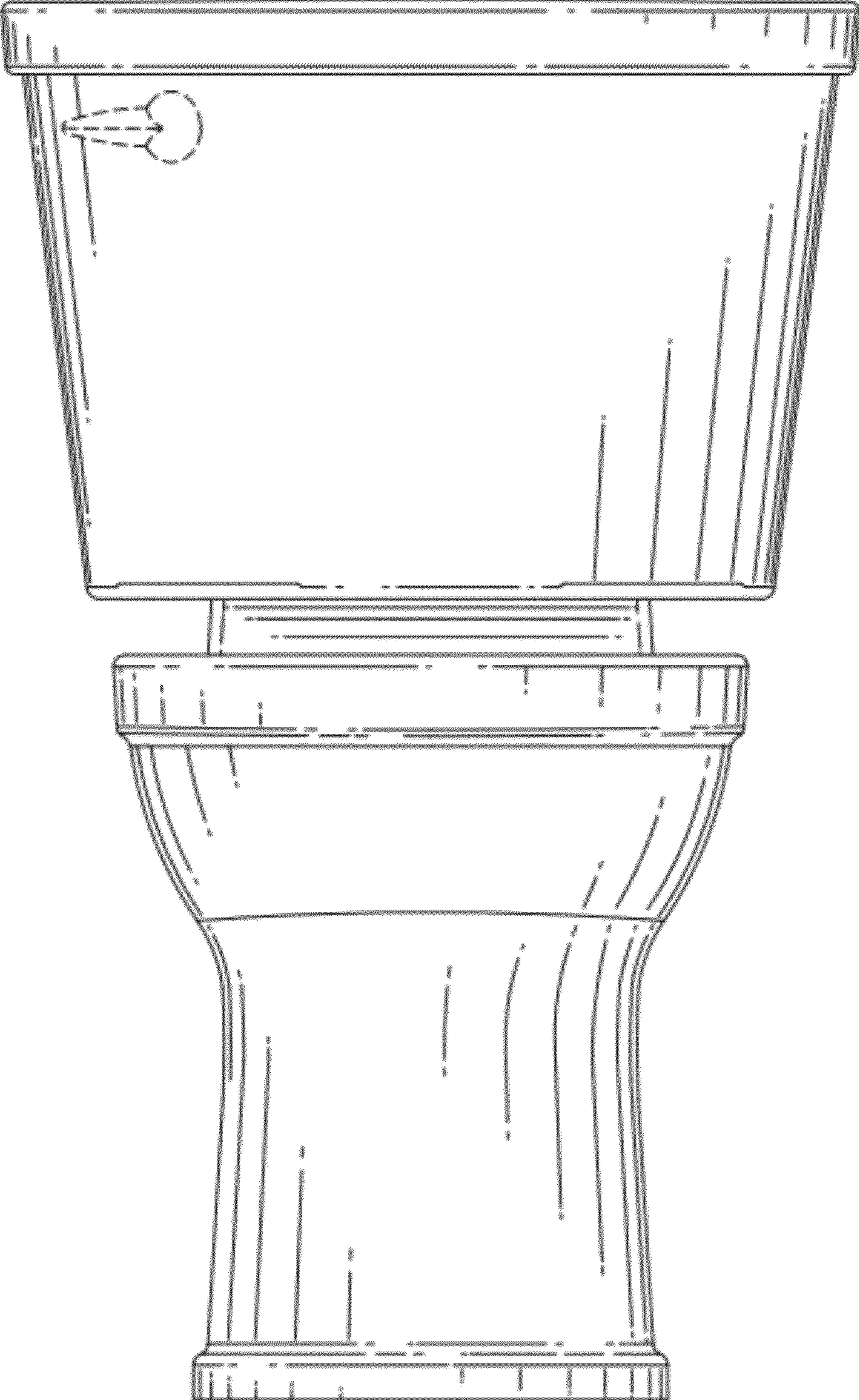


FIG. 2

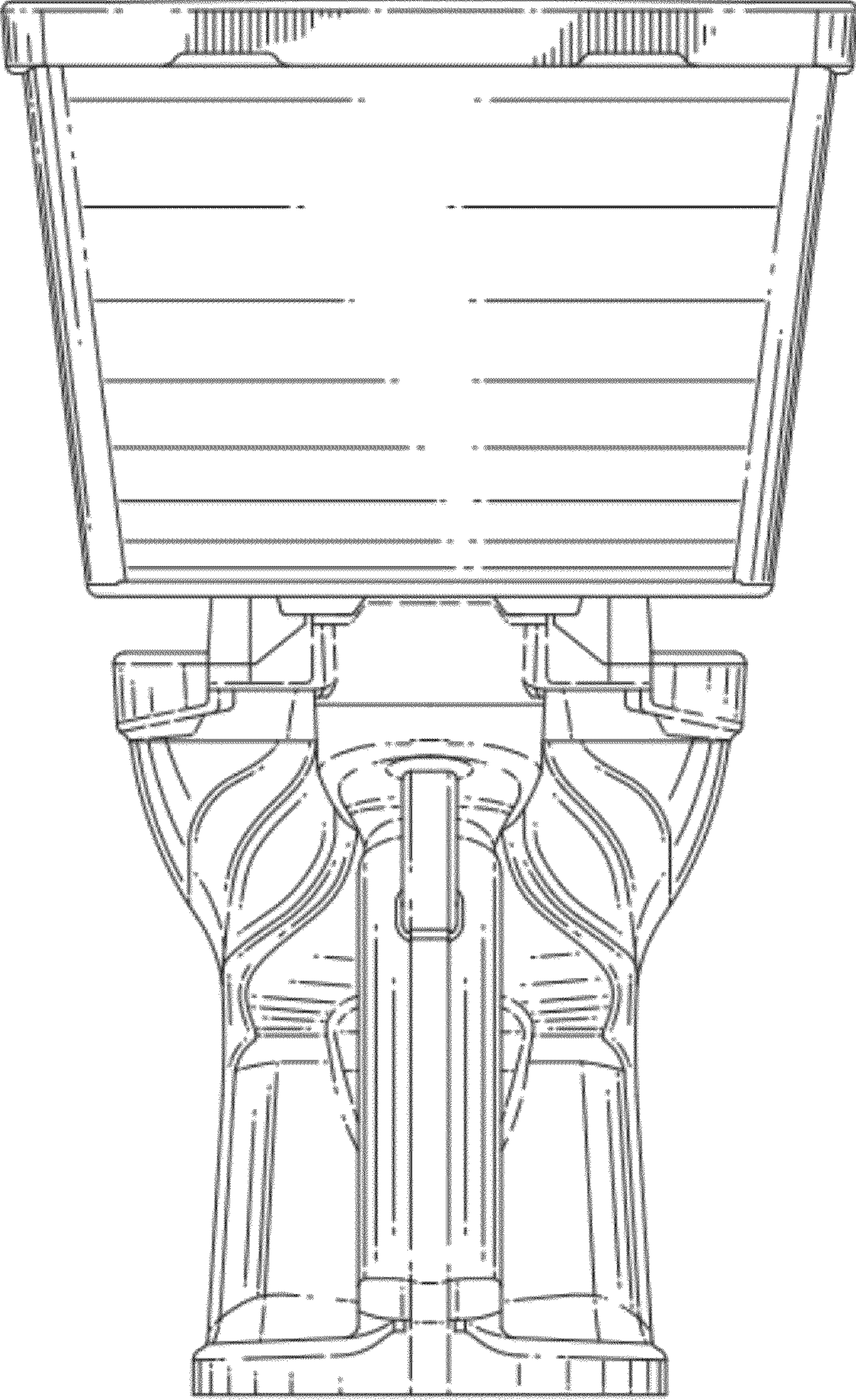


FIG. 3

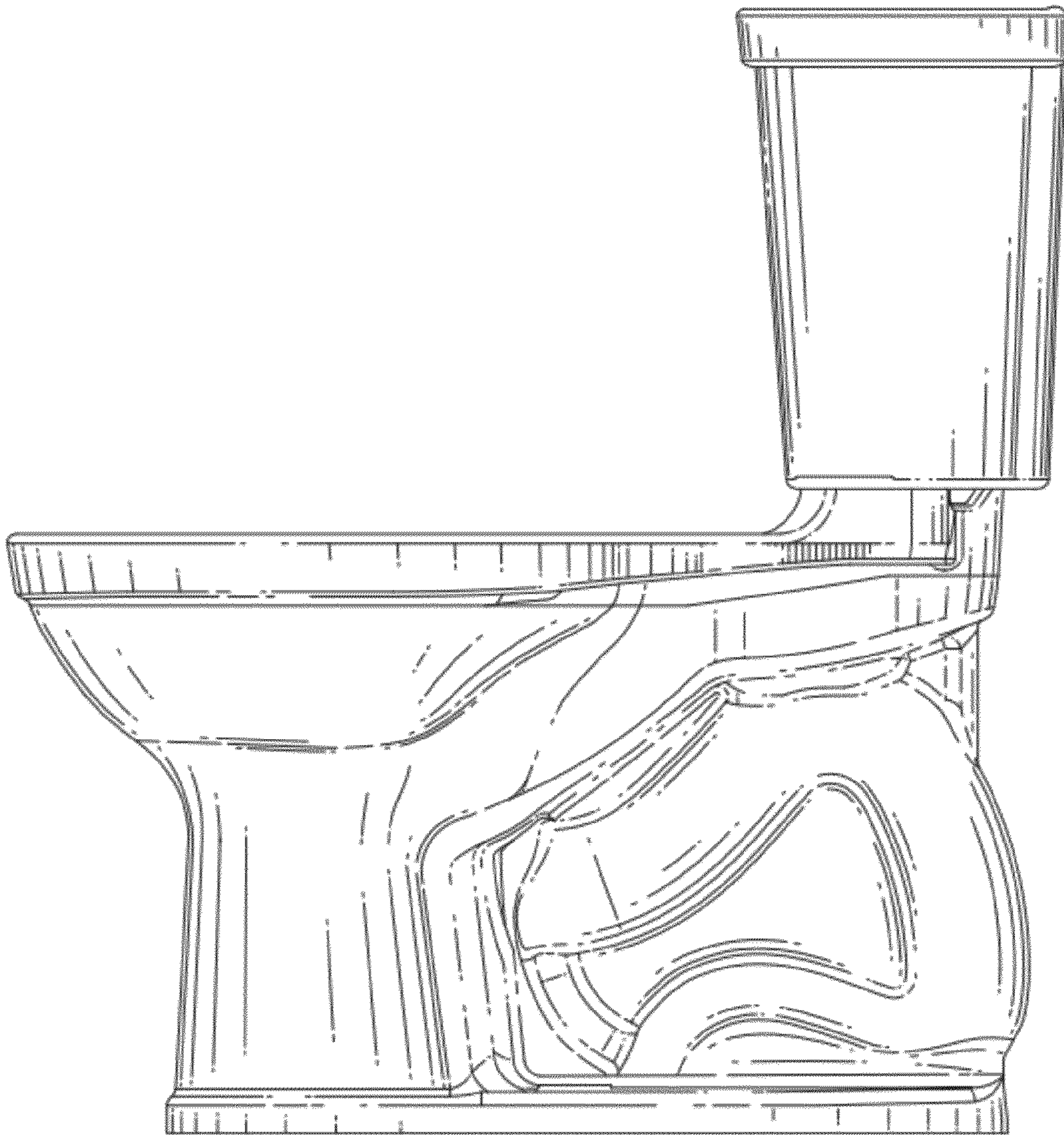


FIG.4

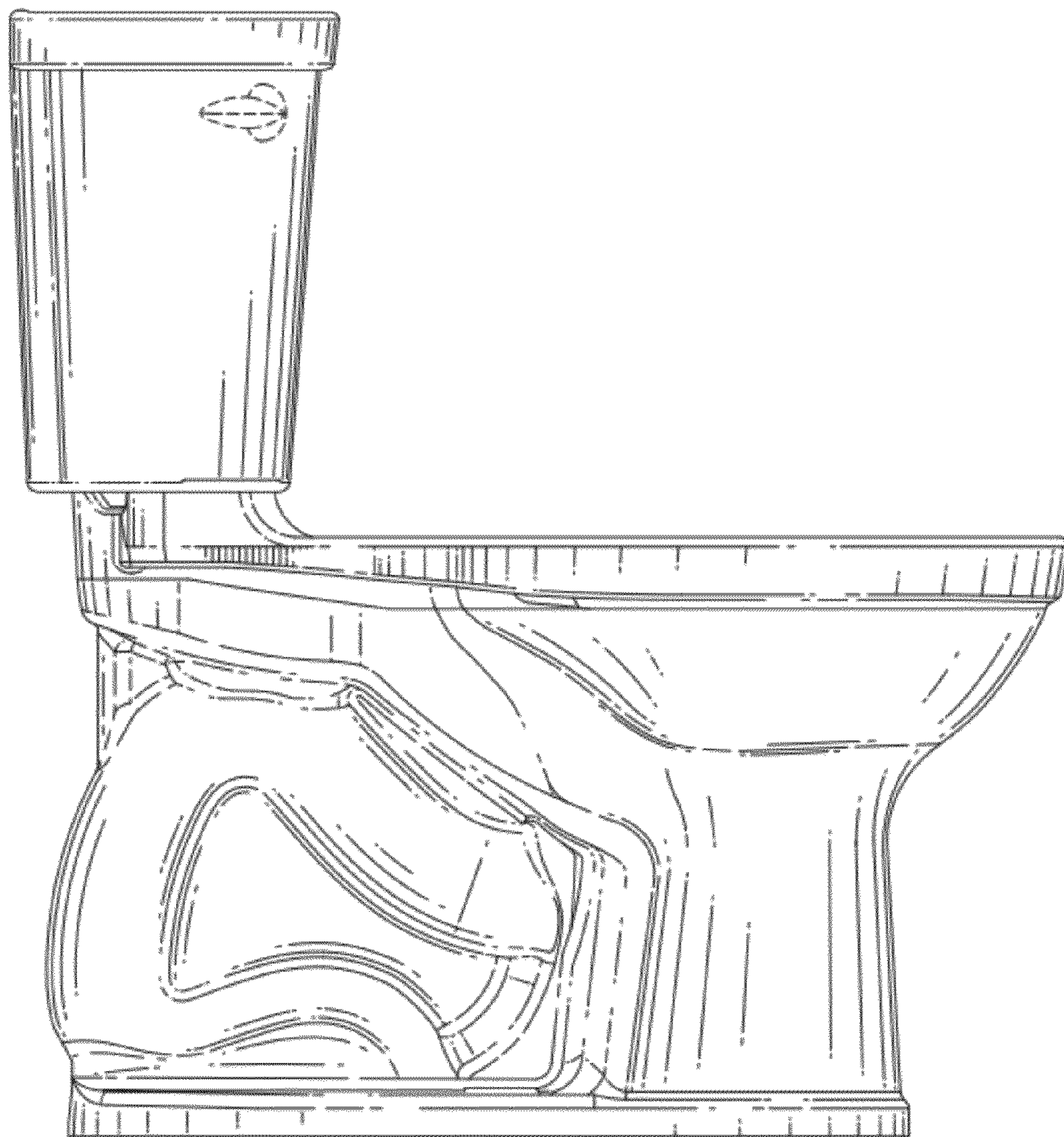


FIG.5

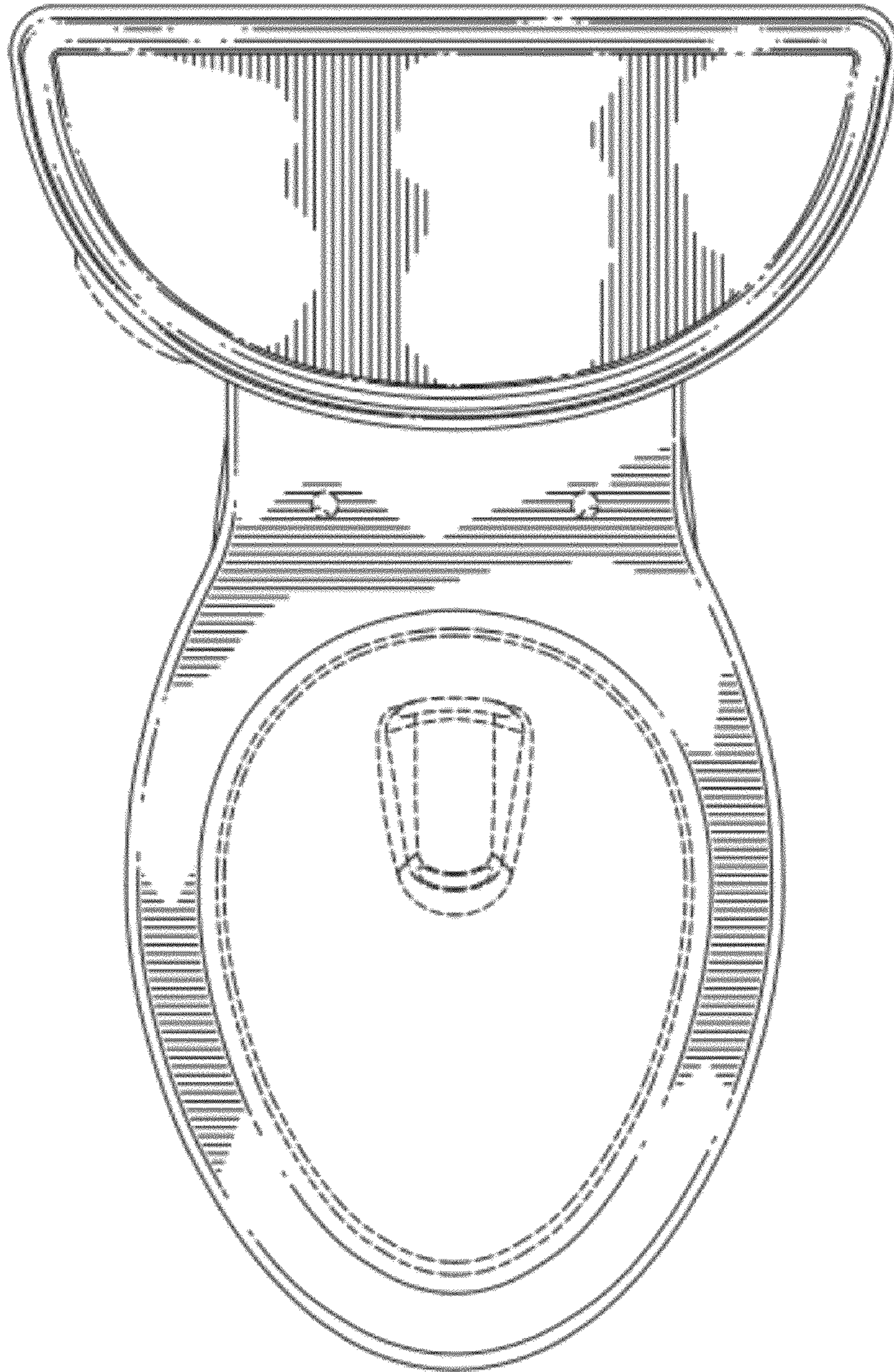


FIG. 6

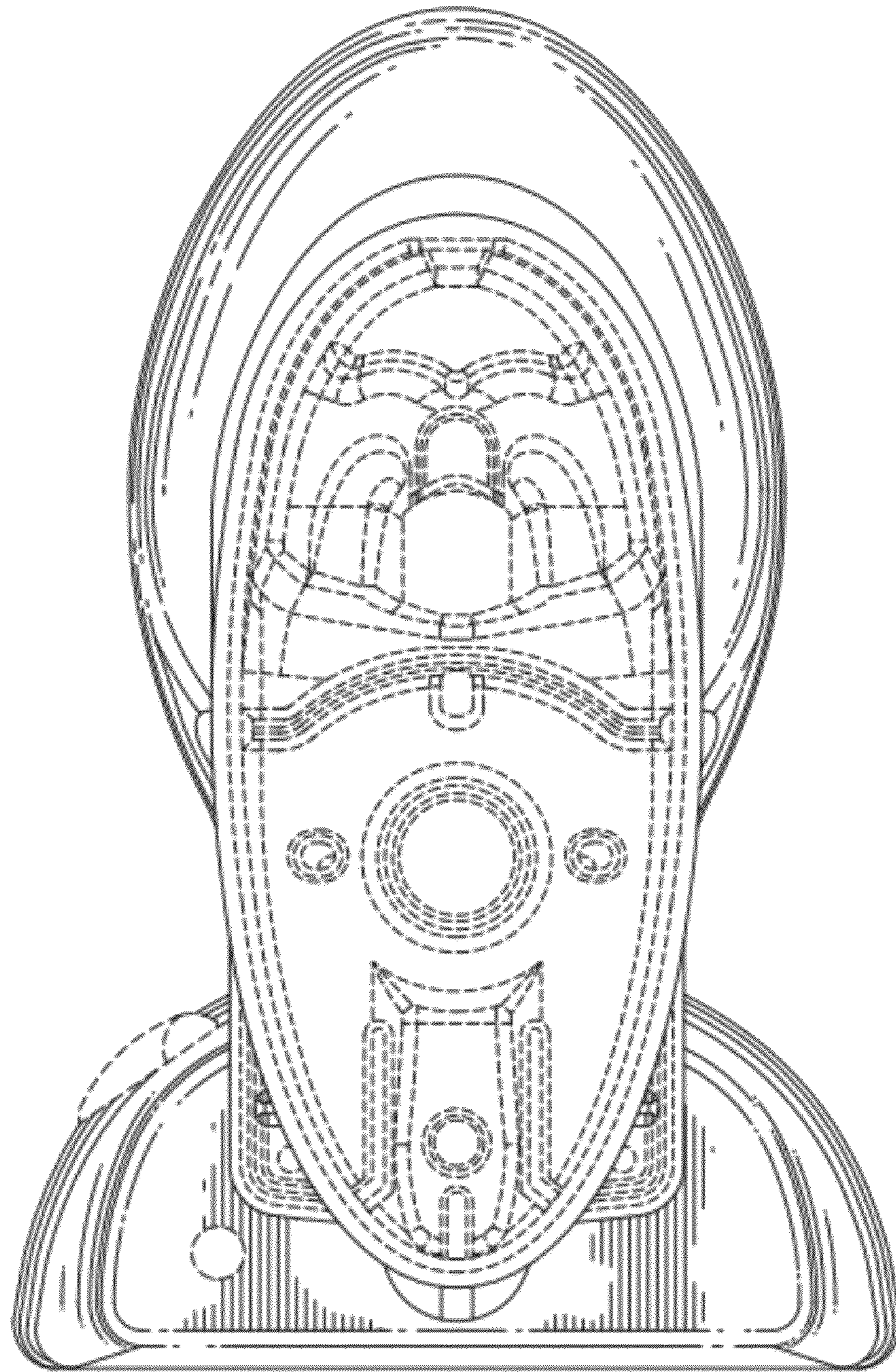


FIG. 7