

US00D671196S

(12) **United States Design Patent**
Montalvo et al.

(10) **Patent No.:** **US D671,196 S**

(45) **Date of Patent:** **** Nov. 20, 2012**

(54) **GARDEN HOSE**

(75) Inventors: **Anthony Montalvo**, Medina, OH (US);
Robert H. Vogliano, Tallmadge, OH
(US); **Marc Borowczak**, N. Canton, OH
(US)

(73) Assignee: **Veyance Technologies, Inc**, Fairlawn,
OH (US)

(**) Term: **14 Years**

(21) Appl. No.: **29/393,791**

(22) Filed: **Jun. 9, 2011**

(51) **LOC (9) Cl.** **23-01**

(52) **U.S. Cl.** **D23/266**

(58) **Field of Classification Search** D23/266;
138/103, 105, 122; 405/43, 45, 48, 49
See application file for complete search history.

(56) **References Cited**

U.S. PATENT DOCUMENTS

1,057,098	A *	3/1913	Smith	405/49
2,336,086	A *	12/1943	Goldman	242/118.32
3,083,736	A *	4/1963	Roberts et al.	138/122
D296,355	S *	6/1988	Kanao	D23/266
D296,356	S *	6/1988	Kanao	D23/266
D443,344	S *	6/2001	Evans	D23/266
D469,520	S *	1/2003	McLean	D23/266
D478,969	S *	8/2003	Mezzalira	D23/266
D499,465	S *	12/2004	Paul, III	D23/266
7,156,127	B2 *	1/2007	Moulton et al.	138/122
D611,576	S *	3/2010	Tokuno	D23/266

D613,378	S *	4/2010	Hinson	D23/266
D642,245	S *	7/2011	Mezzalira et al.	D23/266
D642,246	S *	7/2011	Mezzalira et al.	D23/266
2010/0071795	A1 *	3/2010	Montalvo et al.	138/126

* cited by examiner

Primary Examiner — Eric Goodman

(74) *Attorney, Agent, or Firm* — Alvin T. Rockhill; Kathleen
K. Bowen

(57) **CLAIM**

The ornamental design for a garden hose, as shown and described.

DESCRIPTION

FIG. 1 is a front perspective view of a garden hose showing our new design.

FIG. 2 is a front prospective view of the garden hose without the threaded coupling shown in FIG. 1.

FIG. 3 is a left end view of the garden hose of this invention with the right end view being a mirror image of the left end view.

FIG. 4 is a front view of the garden hose.

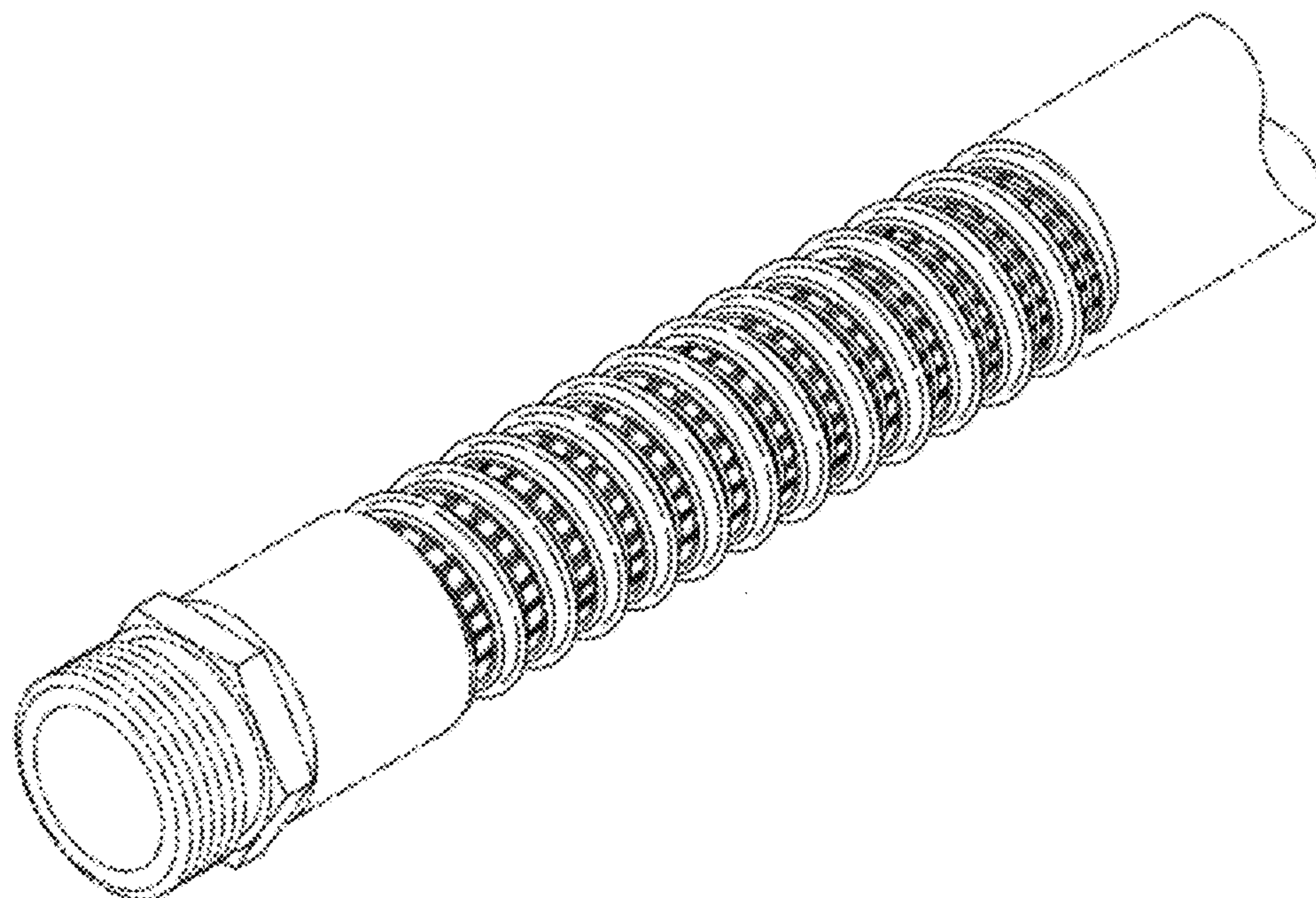
FIG. 5 is a top view of the garden hose.

FIG. 6 is a back view of the garden hose; and,

FIG. 7 is a bottom view of the garden hose.

The broken line showing of the threaded hose coupling and as extending for an additional distance at its other end is included for the purpose of illustrating environment and forms no part of the claimed design.

1 Claim, 2 Drawing Sheets



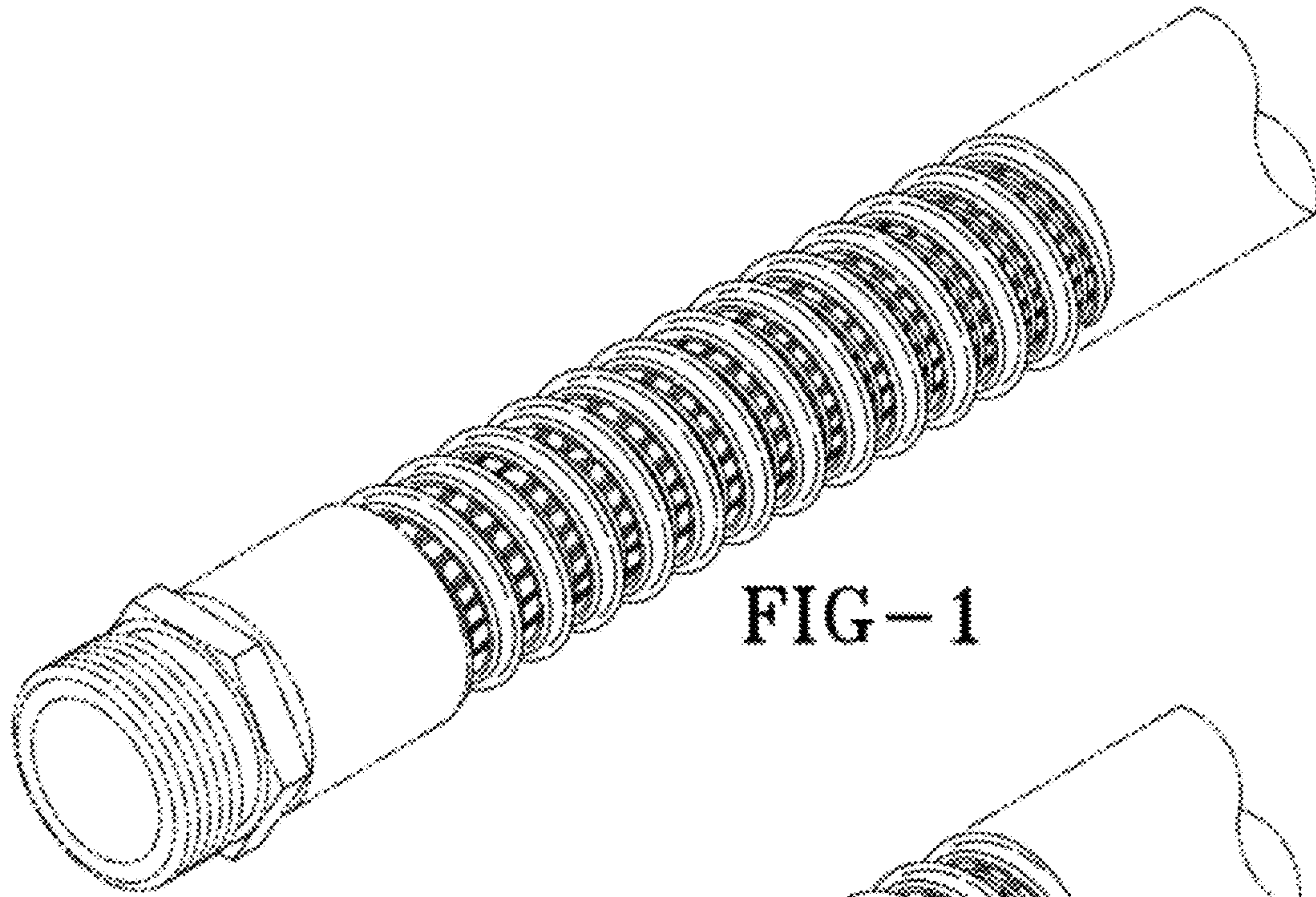


FIG-1

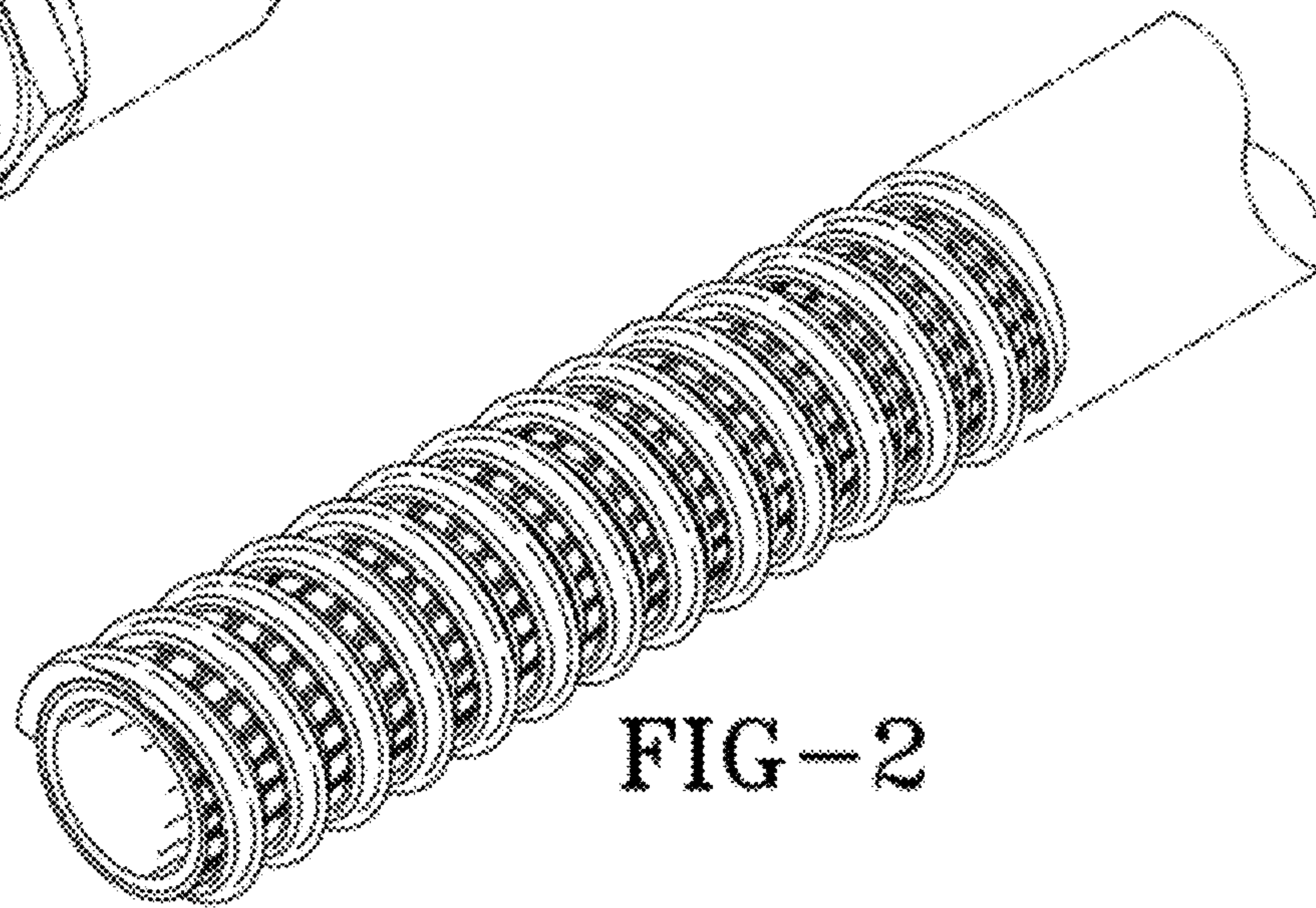


FIG-2

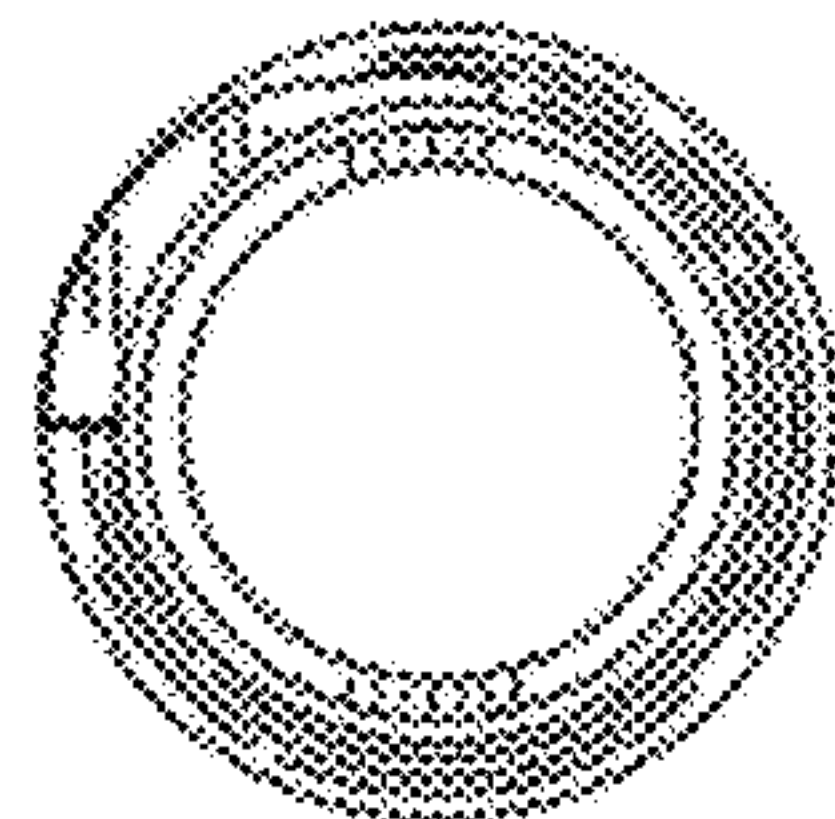


FIG-3

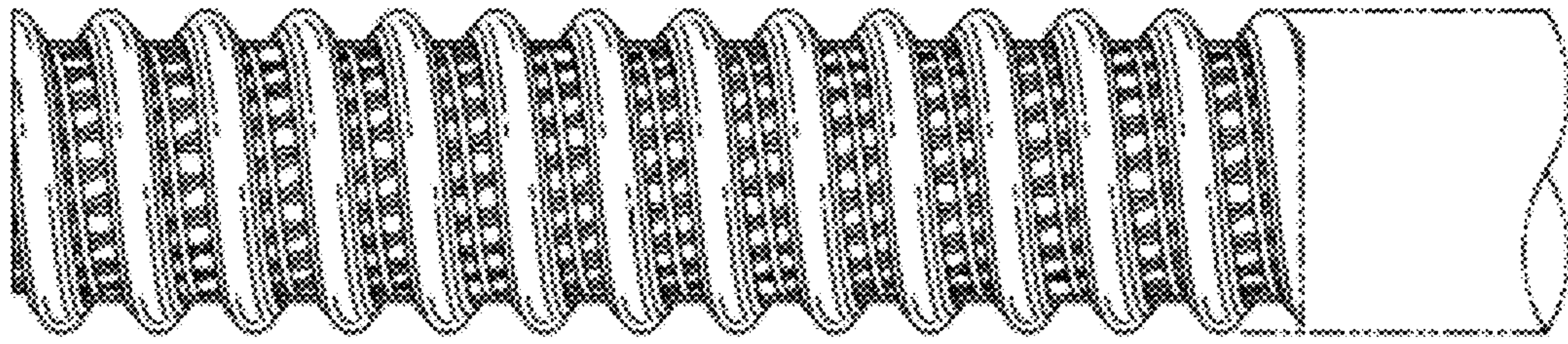


FIG-4

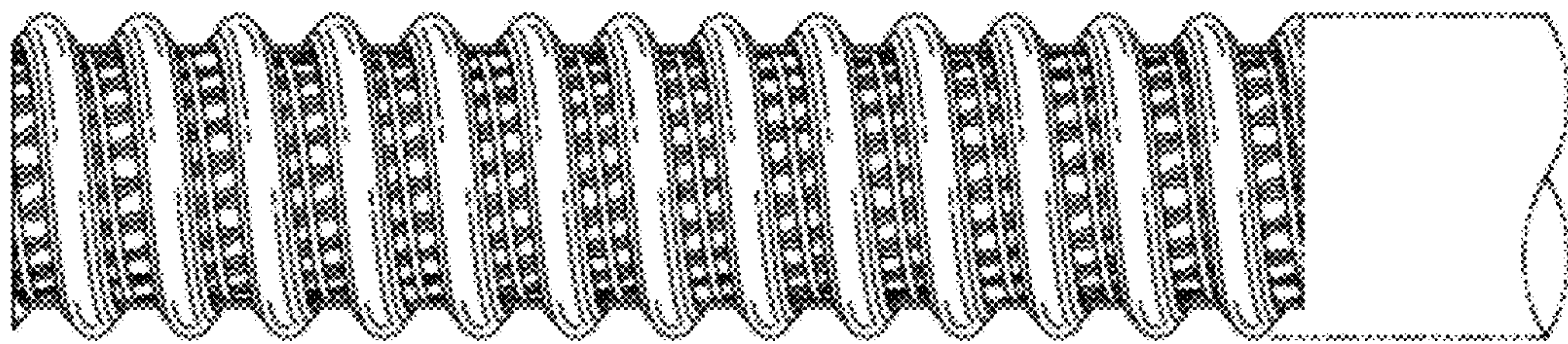


FIG-5

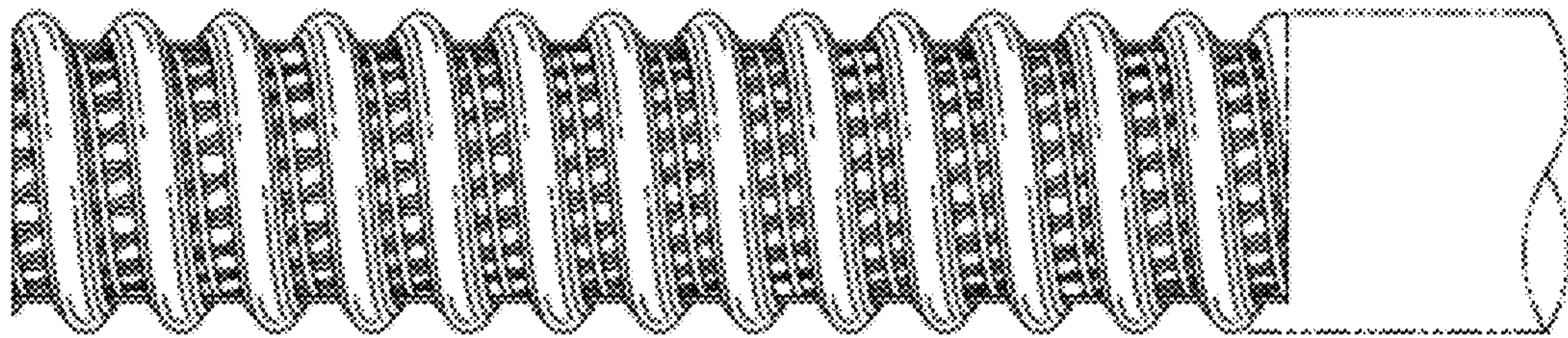


FIG-6

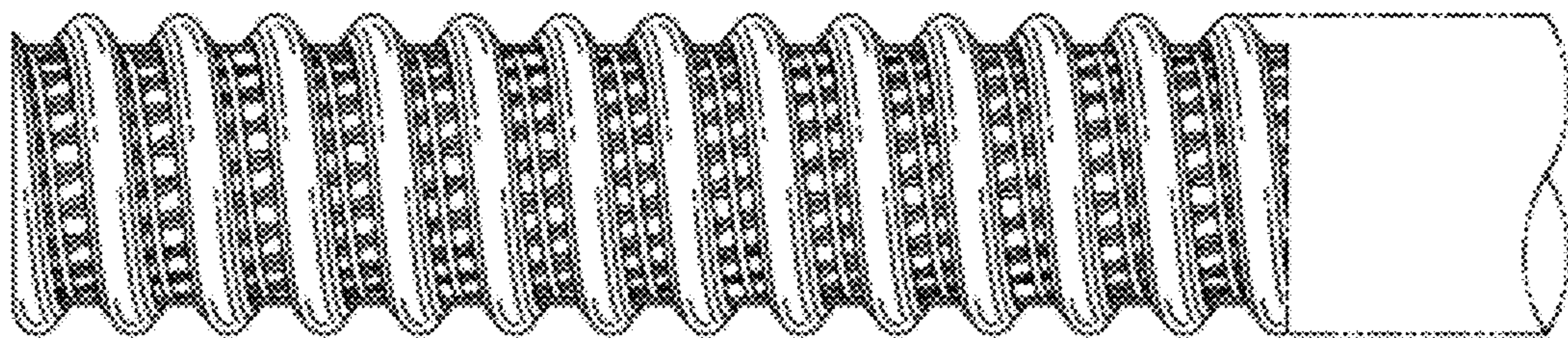


FIG-7