



US00D671192S

(12) **United States Design Patent**  
**Mailhot**

(10) **Patent No.:** **US D671,192 S**

(45) **Date of Patent:** **\*\* \*Nov. 20, 2012**

(54) **POOL SKIMMER**

(76) Inventor: **Jean Mailhot**, Rouses Point, NY (US)

(\*) Notice: This patent is subject to a terminal disclaimer.

(\*\*) Term: **14 Years**

(21) Appl. No.: **29/349,121**

(22) Filed: **Mar. 11, 2010**

(51) **LOC (9) Cl.** ..... **15-05**

(52) **U.S. Cl.** ..... **D23/209**

(58) **Field of Classification Search** ..... D32/1,  
D32/21; 15/1.7; 29/596; 137/114, 907,  
137/899; 210/167.1, 167.12, 167.15, 167.16,  
210/167.18, 167.19, 416.2; 134/21; 180/306;  
901/1; D15/7; D23/209-210; 4/507

See application file for complete search history.

(56) **References Cited**

U.S. PATENT DOCUMENTS

|              |    |   |         |                 |       |            |
|--------------|----|---|---------|-----------------|-------|------------|
| D216,260     | S  | * | 12/1969 | Diemond         | ..... | D23/209    |
| 3,620,372    | A  | * | 11/1971 | Ehret           | ..... | 210/167.1  |
| 3,831,897    | A  | * | 8/1974  | Stegmeier       | ..... | 249/1      |
| D259,739     | S  | * | 6/1981  | Johnson         | ..... | D25/2      |
| 4,454,035    | A  | * | 6/1984  | Stefan          | ..... | 210/117    |
| 4,798,670    | A  | * | 1/1989  | Treene          | ..... | 210/167.1  |
| D328,778     | S  | * | 8/1992  | Gefter et al.   | ..... | D23/210    |
| D330,582     | S  | * | 10/1992 | Gefter et al.   | ..... | D23/210    |
| D365,381     | S  | * | 12/1995 | Hoepfner        | ..... | D23/209    |
| D377,249     | S  | * | 1/1997  | Granshaw        | ..... | D32/35     |
| D413,649     | S  | * | 9/1999  | King            | ..... | D23/209    |
| D432,206     | S  | * | 10/2000 | Stoltz et al.   | ..... | D23/209    |
| 6,458,270    | B1 | * | 10/2002 | Watson et al.   | ..... | 210/167.1  |
| 7,001,159    | B2 | * | 2/2006  | Peterson et al. | ..... | 417/423.11 |
| D535,720     | S  | * | 1/2007  | Porter et al.   | ..... | D23/210    |
| 7,550,078    | B2 | * | 6/2009  | Meagher         | ..... | 210/167.1  |
| D598,519     | S  | * | 8/2009  | Garcia, Jr.     | ..... | D23/209    |
| 7,699,983    | B2 | * | 4/2010  | Andrei          | ..... | 210/167.1  |
| 7,815,795    | B2 | * | 10/2010 | Parks et al.    | ..... | 210/167.1  |
| 2002/0121467 | A1 | * | 9/2002  | Watson et al.   | ..... | 210/169    |

|              |    |   |        |                   |       |            |
|--------------|----|---|--------|-------------------|-------|------------|
| 2007/0012607 | A1 | * | 1/2007 | Mullner           | ..... | 210/167.1  |
| 2008/0099387 | A1 | * | 5/2008 | Pellington et al. | ..... | 210/167.1  |
| 2009/0120857 | A1 | * | 5/2009 | Bair              | ..... | 210/167.1  |
| 2009/0145828 | A1 | * | 6/2009 | Andrei            | ..... | 210/167.1  |
| 2009/0159516 | A1 | * | 6/2009 | Andrei            | ..... | 210/167.12 |
| 2010/0084325 | A1 | * | 4/2010 | Parks et al.      | ..... | 210/167.12 |
| 2010/0115715 | A1 | * | 5/2010 | Ortiz et al.      | ..... | 15/1.7     |

OTHER PUBLICATIONS

Pool Skimmer—Pentair American Products FAS Skimmer, retrieved from Internet on Nov. 10, 2010, “http://www.poolandspa.com/catalog/product001222000305.cfm”.\*

Swimming Pool Skimmer—StaRite Swimquip U-3 Skimmer Gunite & Vinyl Liner, retrieved from Internet on Nov. 10, 2010, “http://www.poolandspa.com/catalog/product002393000312.cfm”.\*

Widemouth Above Ground Pool Thru Wall Skimmer System, retrieved from Internet on Nov. 10, 2010, “http://www.aboveground-swimming-pools.com/p74\_widemouth\_aboveground\_pool\_thru\_wall\_skimmer\_system.html”.\*

\* cited by examiner

Primary Examiner — Ruth McInroy

(74) Attorney, Agent, or Firm — Mila Shvartsman

(57) **CLAIM**

I claim the ornamental design for a pool skimmer, as shown and described.

**DESCRIPTION**

FIG. 1 is a rear view of a pool skimmer showing my new design;

FIG. 2 is a bottom view thereof;

FIG. 3 is a front view thereof;

FIG. 4 is a left side view thereof;

FIG. 5 is a top, rear and right-side perspective view thereof;

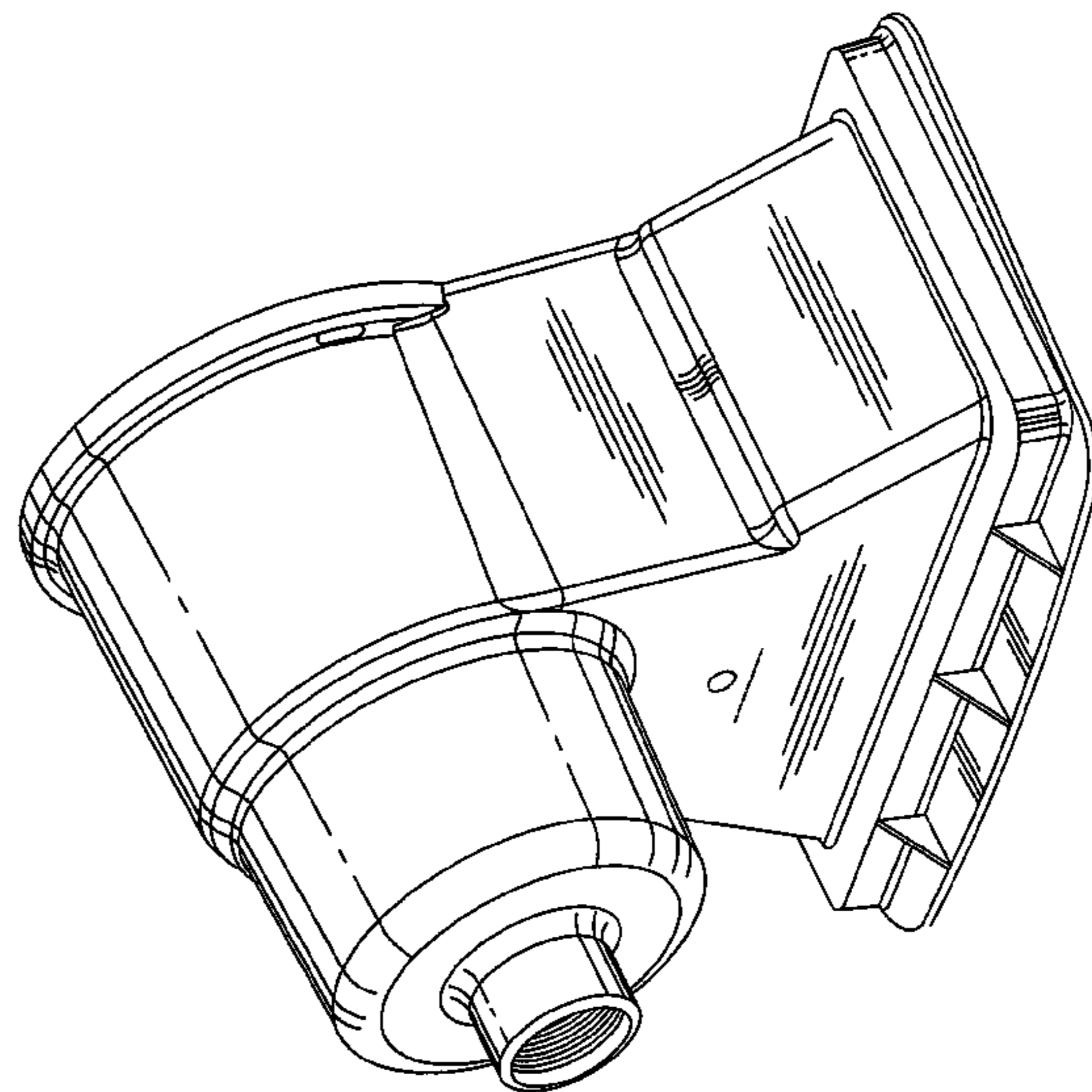
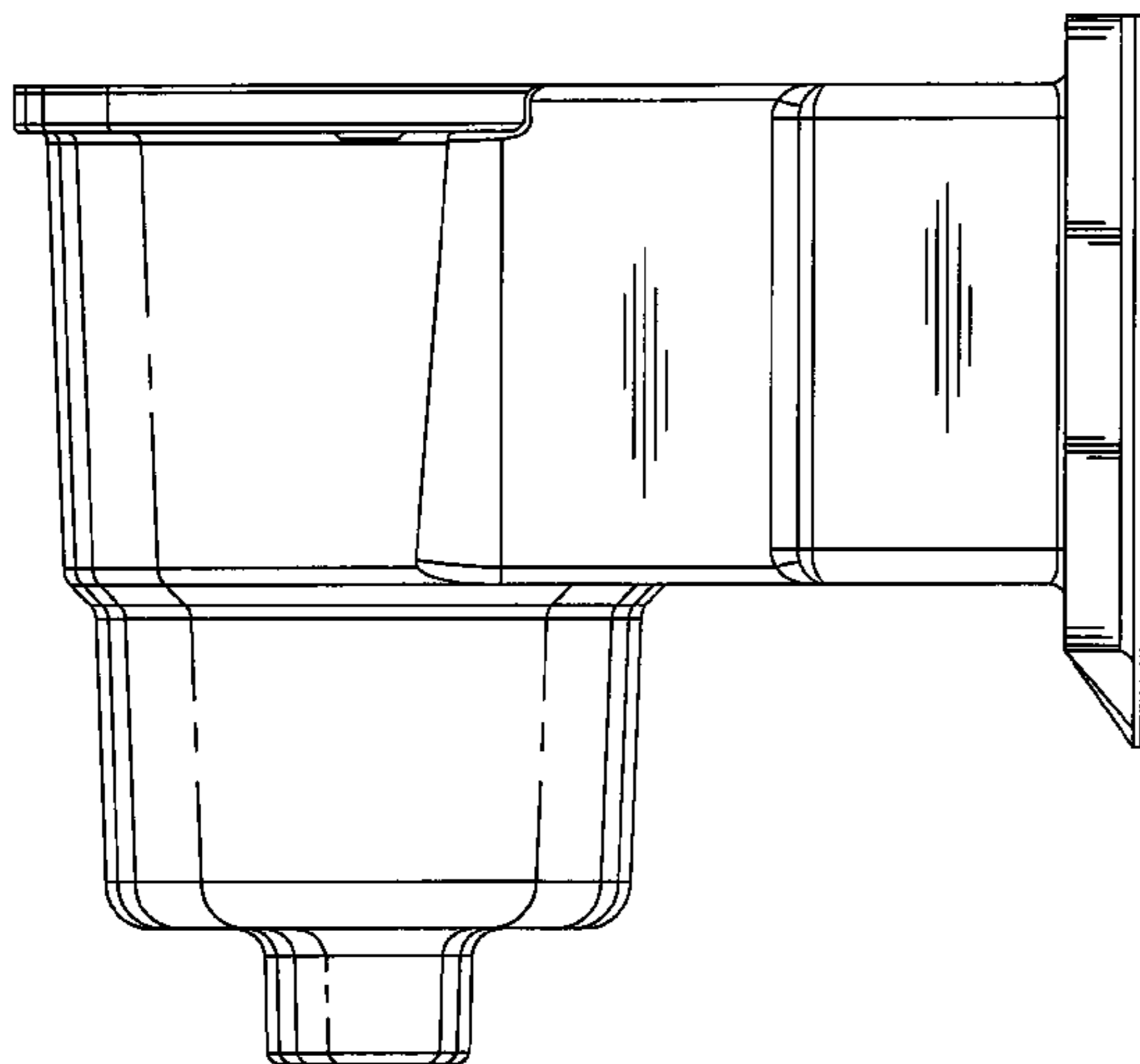
FIG. 6 is a bottom, front and left-side perspective view thereof;

FIG. 7 is a front, top and right-side perspective view thereof;

FIG. 8 is a right side view thereof; and,

FIG. 9 is a top view thereof.

**1 Claim, 9 Drawing Sheets**



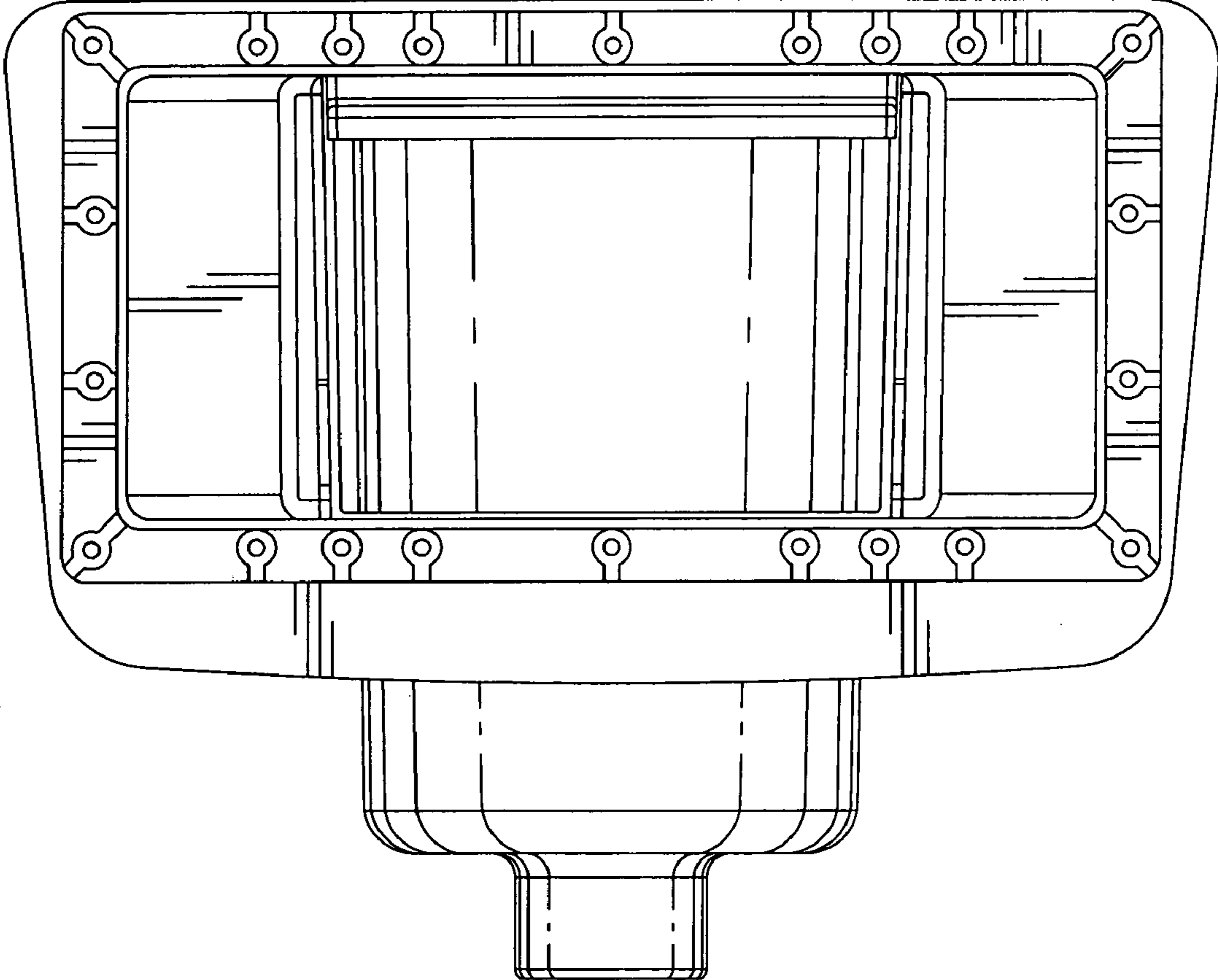
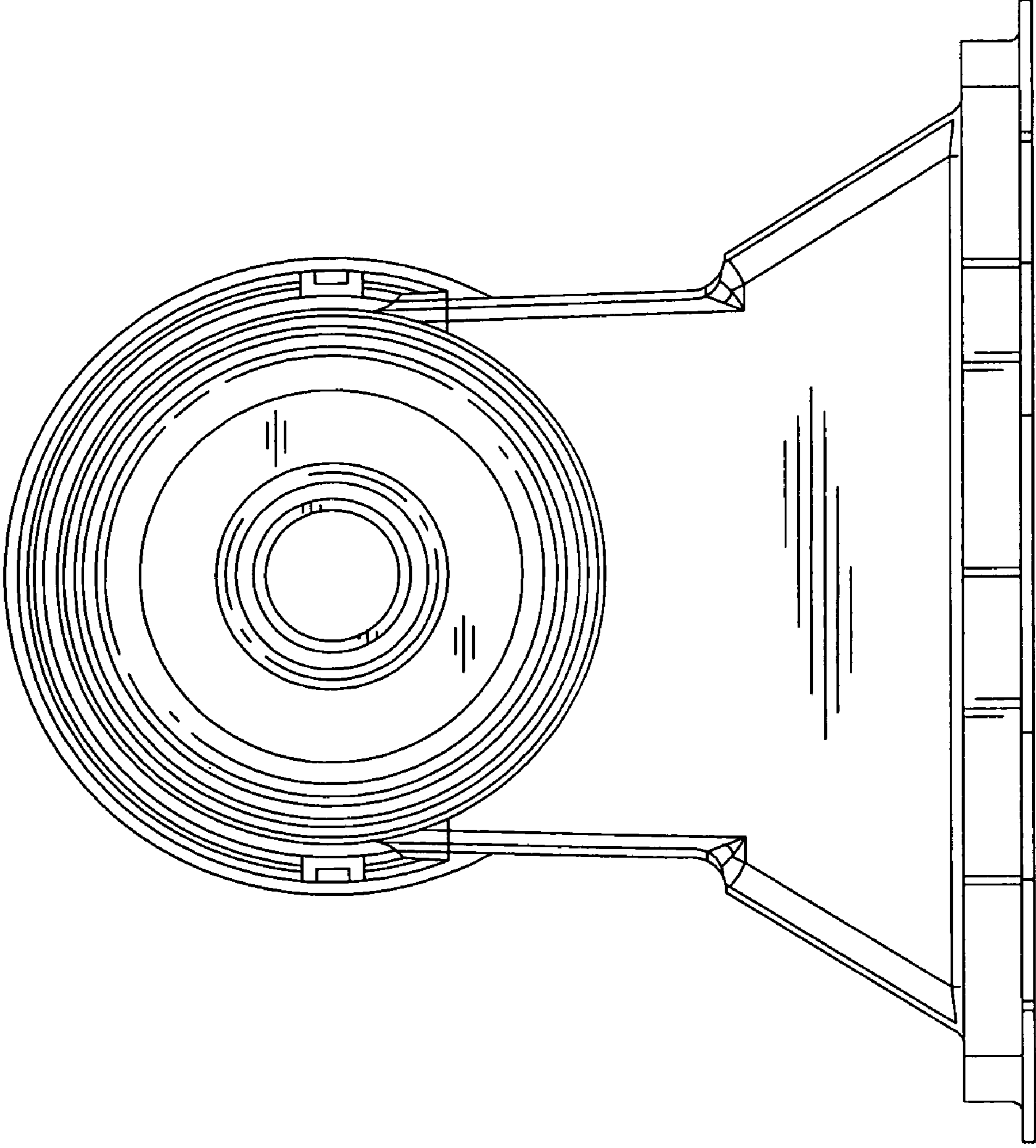
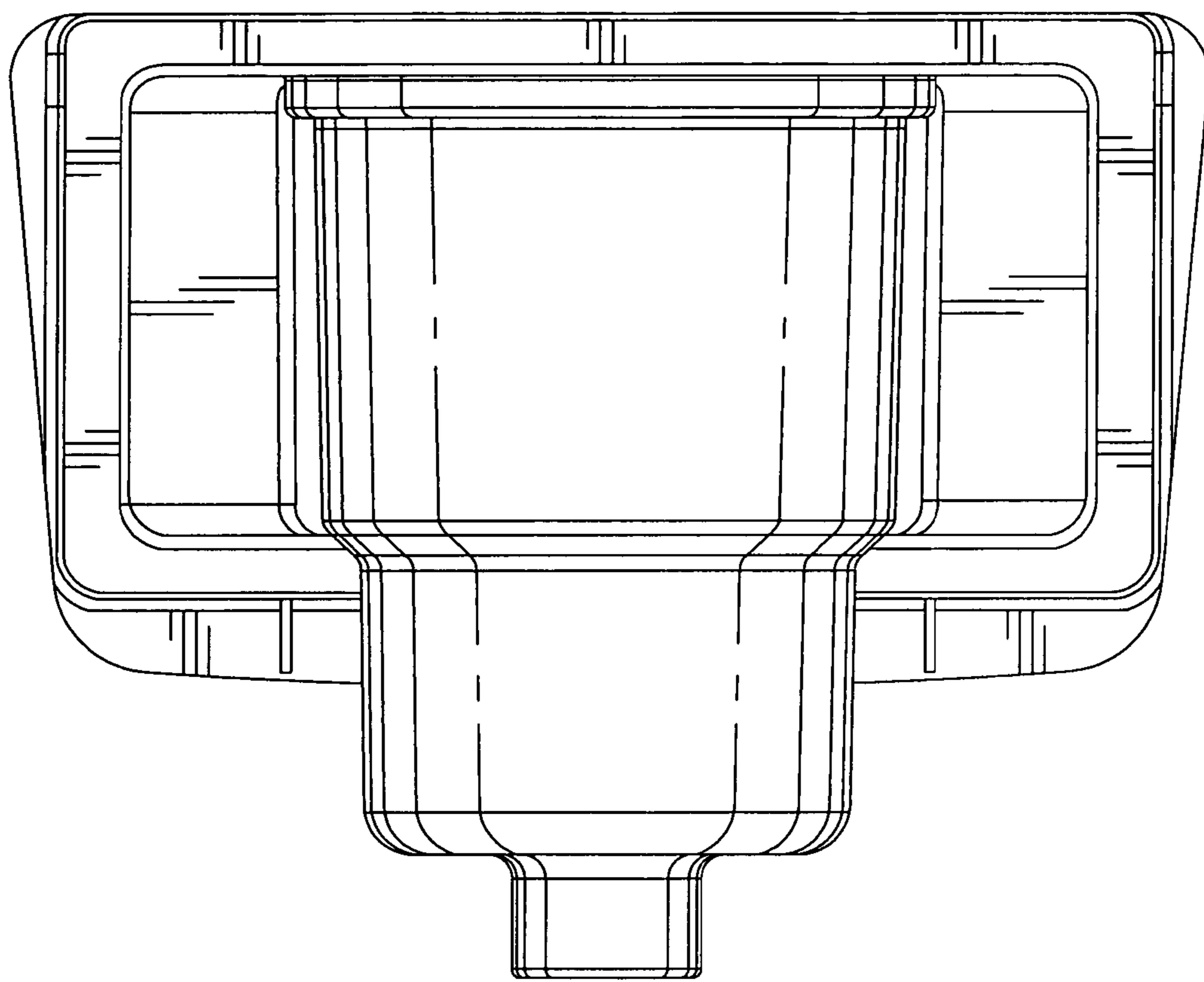


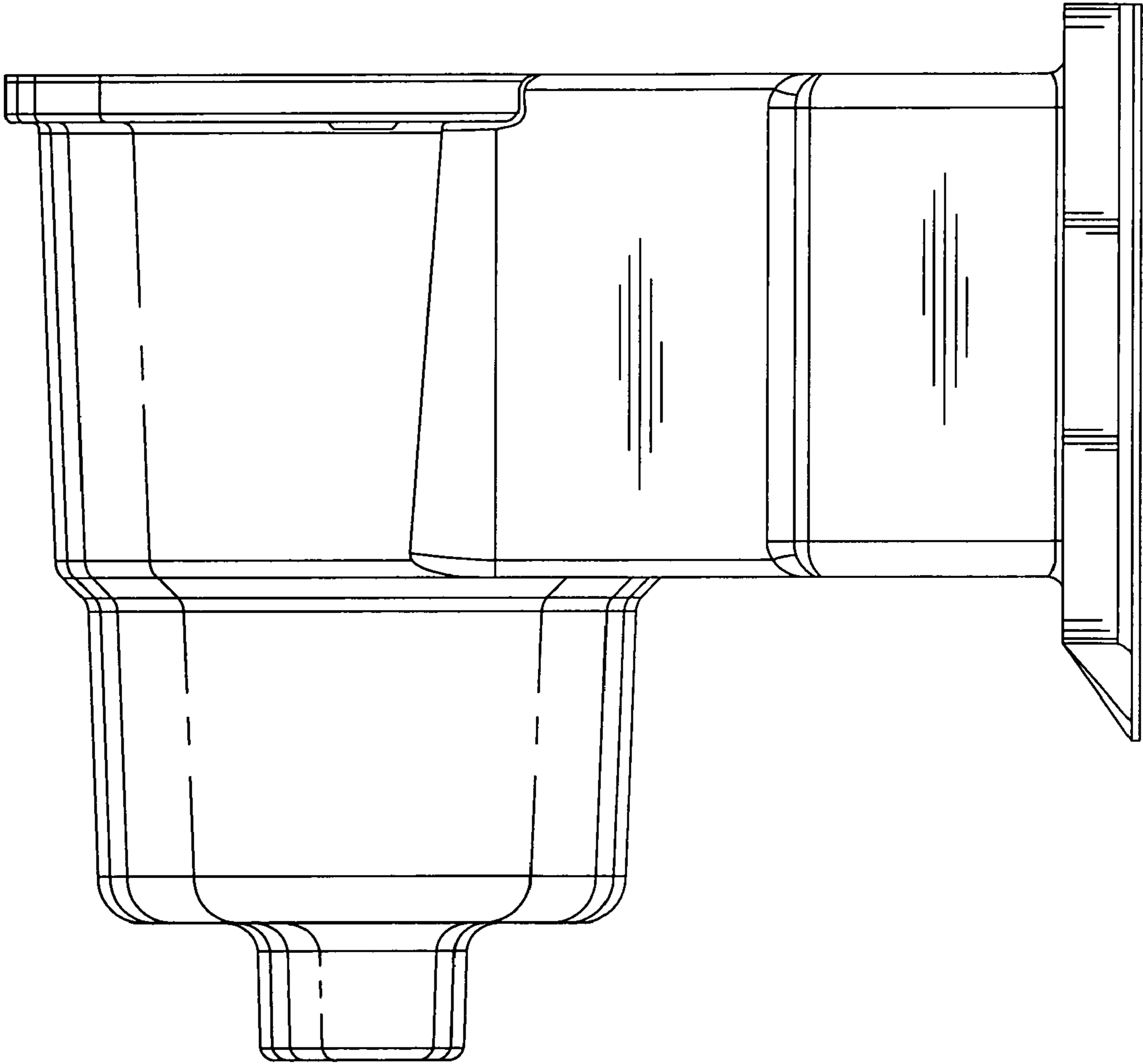
FIG. 1



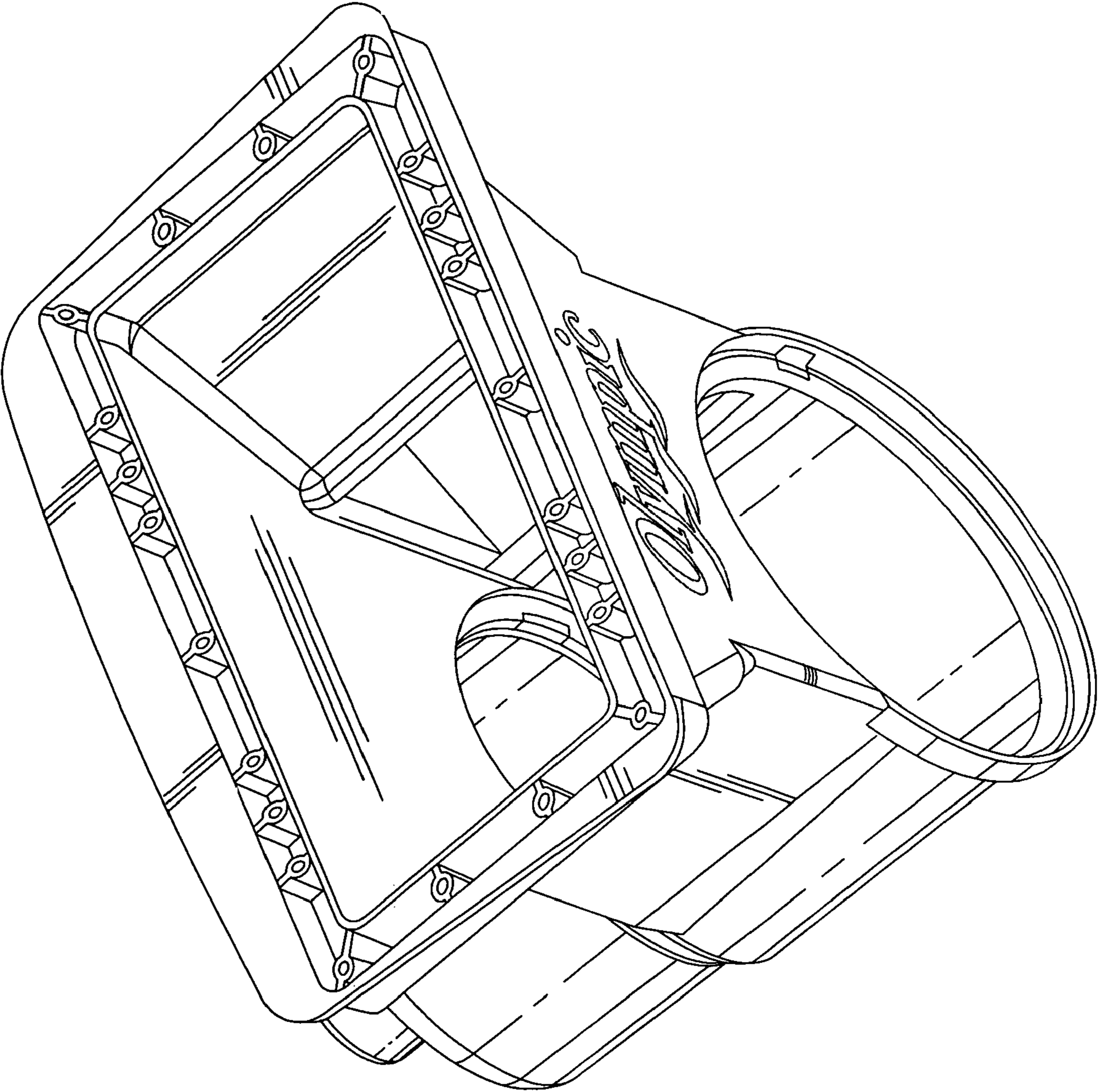
**FIG. 2**



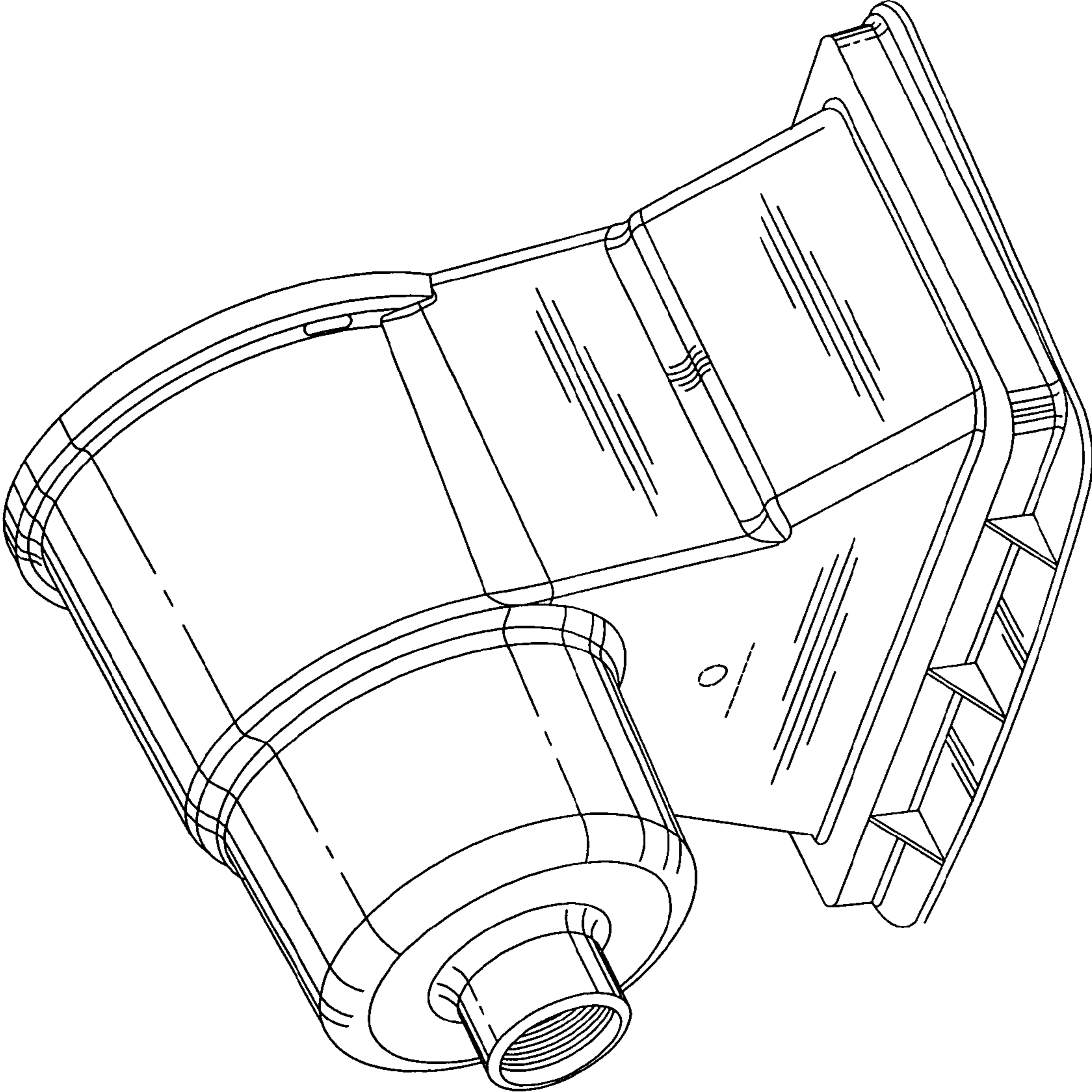
**FIG. 3**



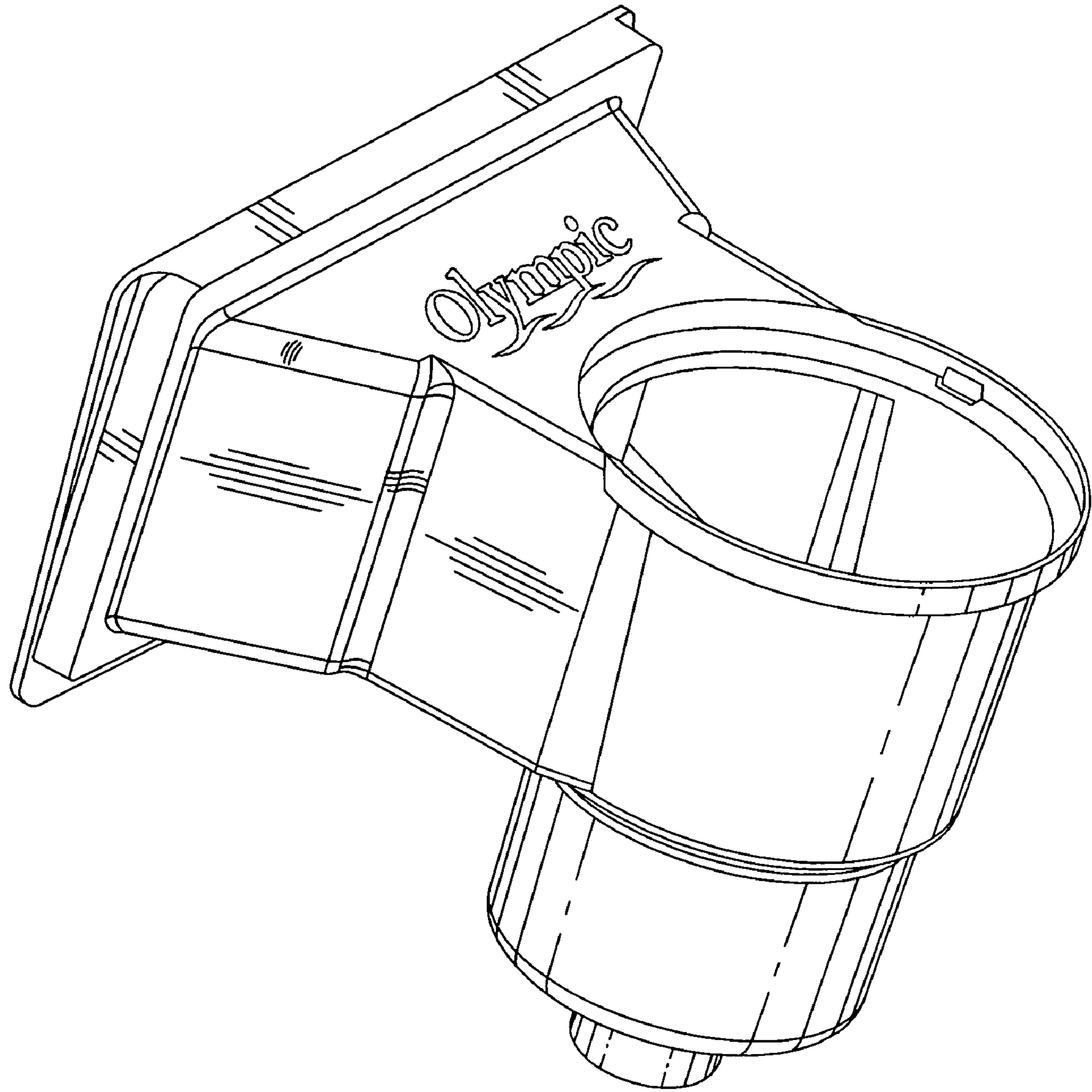
**FIG. 4**



**FIG. 5**

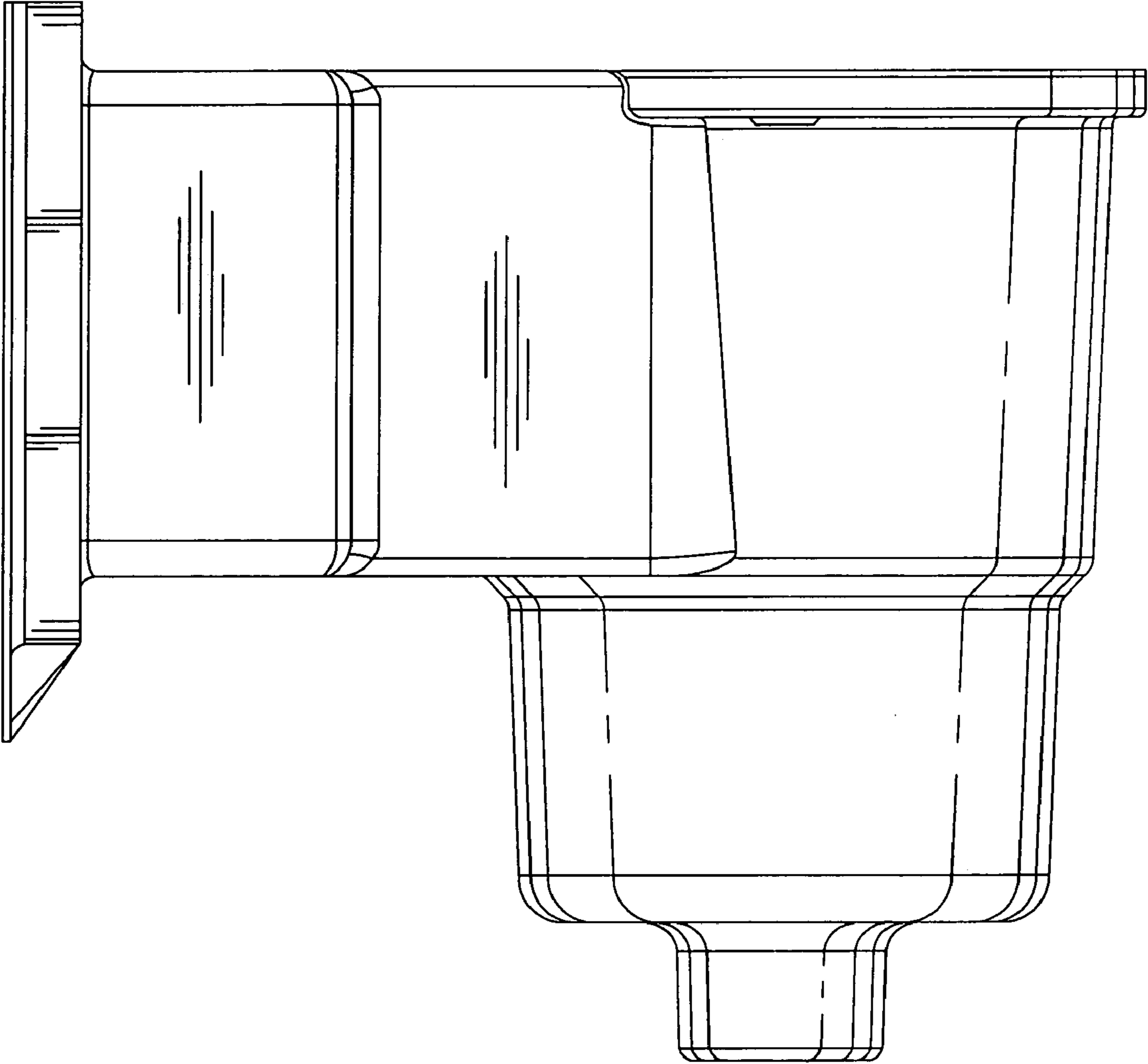


**FIG. 6**

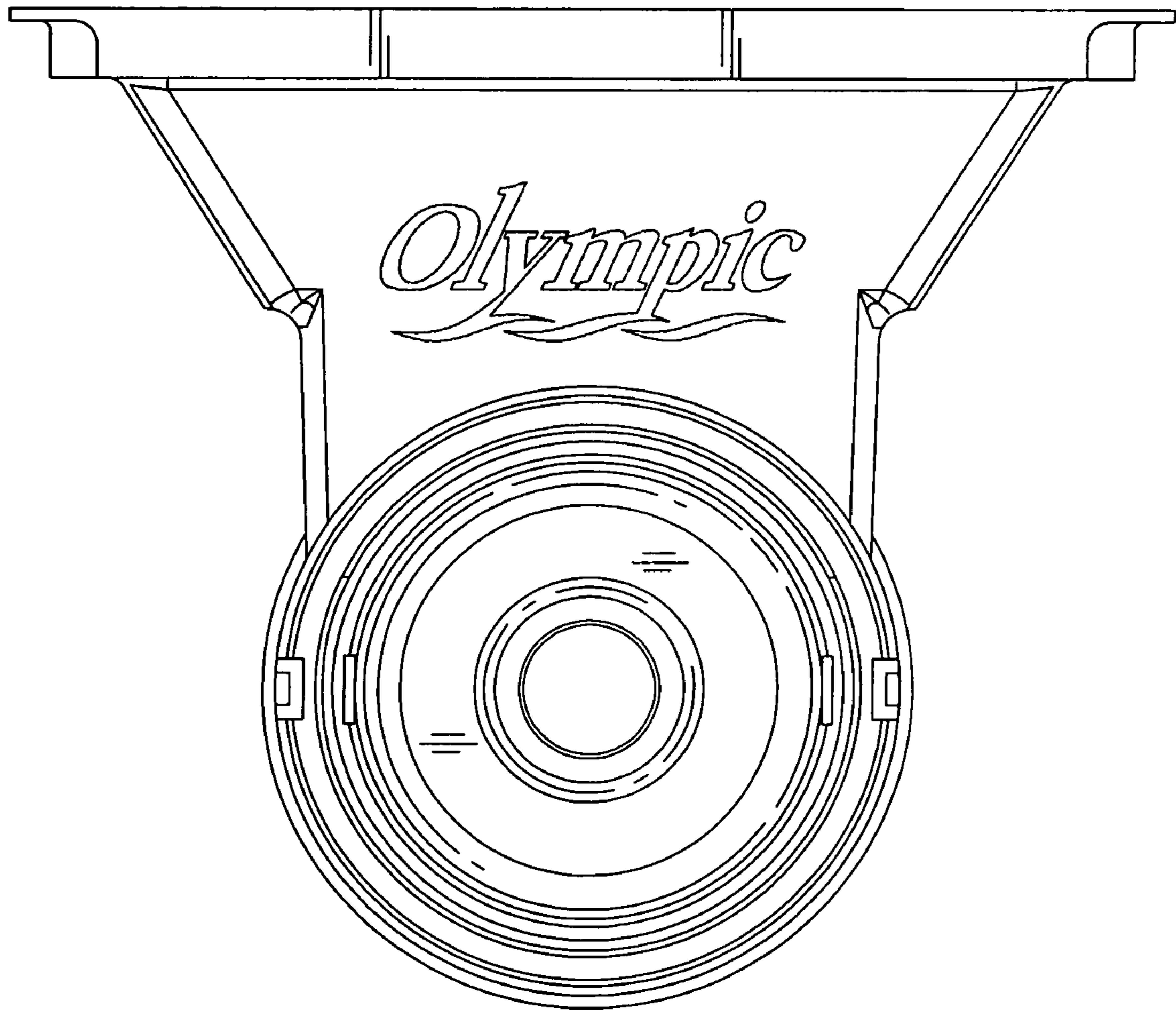


**FIG. 7**





**FIG. 8**



**FIG. 9**