



US00D671189S

(12) **United States Design Patent**
Sanders

(10) **Patent No.:** **US D671,189 S**

(45) **Date of Patent:** **** Nov. 20, 2012**

(54) **FISHING BOB**

(76) Inventor: **John M. Sanders**, Minneapolis, MN
(US)

(**) Term: **14 Years**

(21) Appl. No.: **29/372,858**

(22) Filed: **Jan. 25, 2011**

(51) **LOC (9) Cl.** **22-05**

(52) **U.S. Cl.** **D22/146**

(58) **Field of Classification Search** D22/145-146,
D22/144; 43/4.5, 17.5, 44.87, 44.88, 44.91,
43/44.92, 44.93, 44.95; D9/519, 668
See application file for complete search history.

(56) **References Cited**

U.S. PATENT DOCUMENTS

2,758,410	A *	8/1956	Cowsert	43/44.87
2,876,581	A *	3/1959	Schmidt	43/44.95
2,895,255	A *	7/1959	Irwin	43/44.88
D334,792	S *	4/1993	Flemming	D22/146

D499,462	S *	12/2004	Shular	D22/146
D549,106	S *	8/2007	Lepoitevin	D9/668
D549,801	S *	8/2007	Pruess et al.	D22/146
D608,059	S *	1/2010	McNaughton	D22/146

* cited by examiner

Primary Examiner — Catheri Oliver-Garcia

(74) *Attorney, Agent, or Firm* — Richard John Bartz

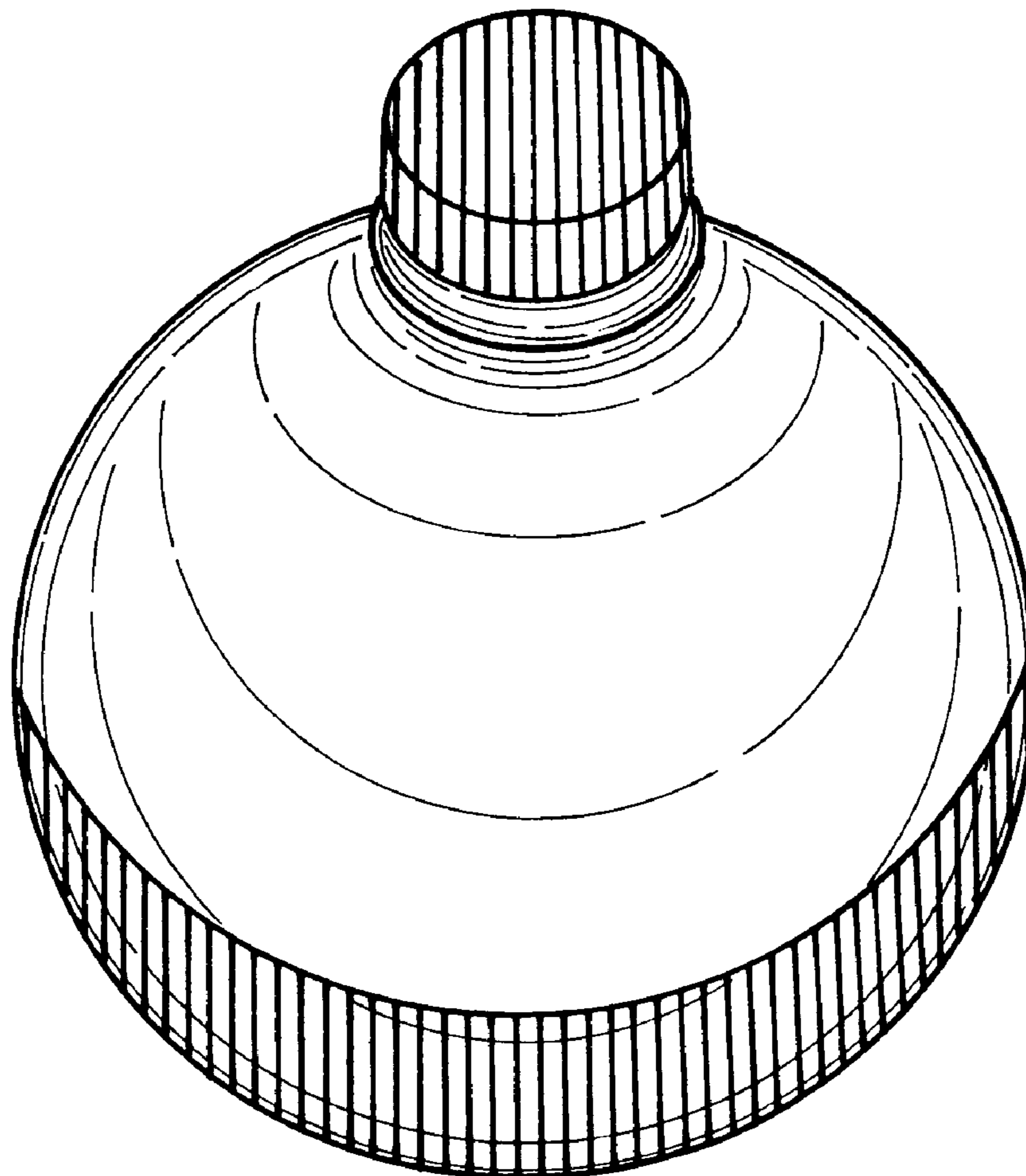
(57) **CLAIM**

The ornamental design for a fishing bob, as shown and described.

DESCRIPTION

FIG. 1 is a perspective view of a fishing bob of my new design; FIG. 2 is a front elevational view thereof, the rear and side elevational views being mirror images thereof; FIG. 3 is a top plan view thereof; and, FIG. 4 is a bottom plan view thereof. The drawing is line for the color red.

1 Claim, 3 Drawing Sheets



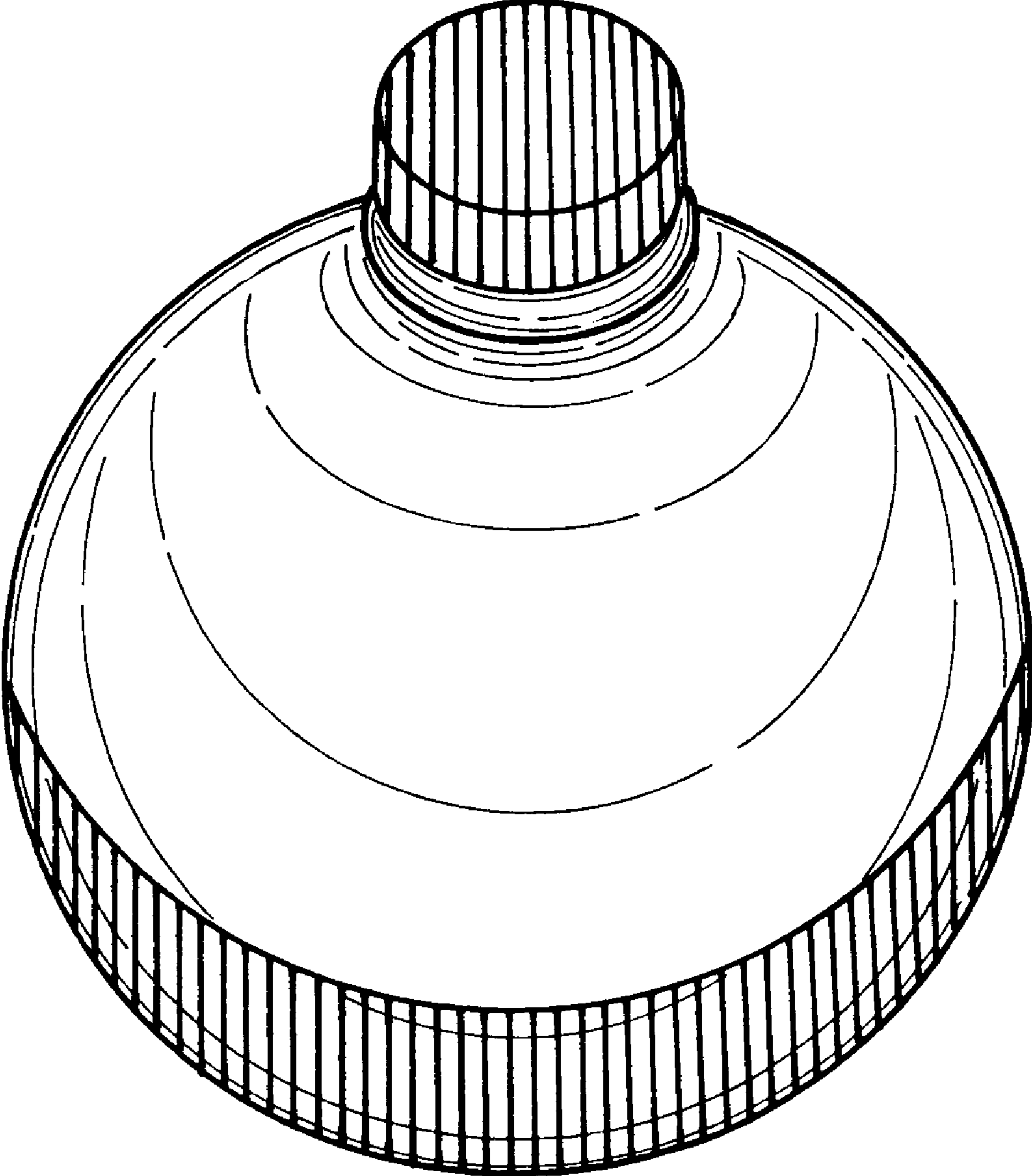


FIG.1

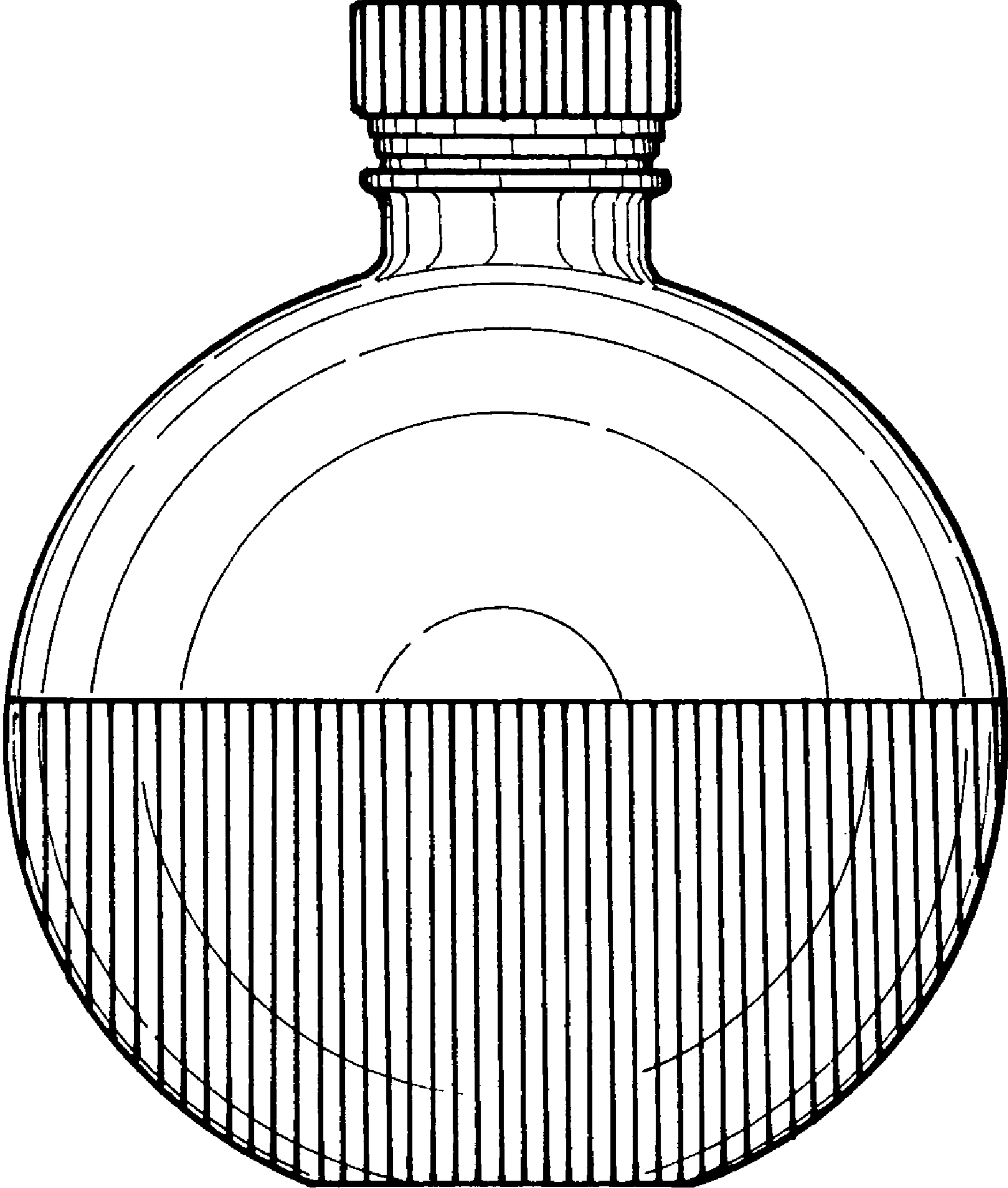


FIG.2

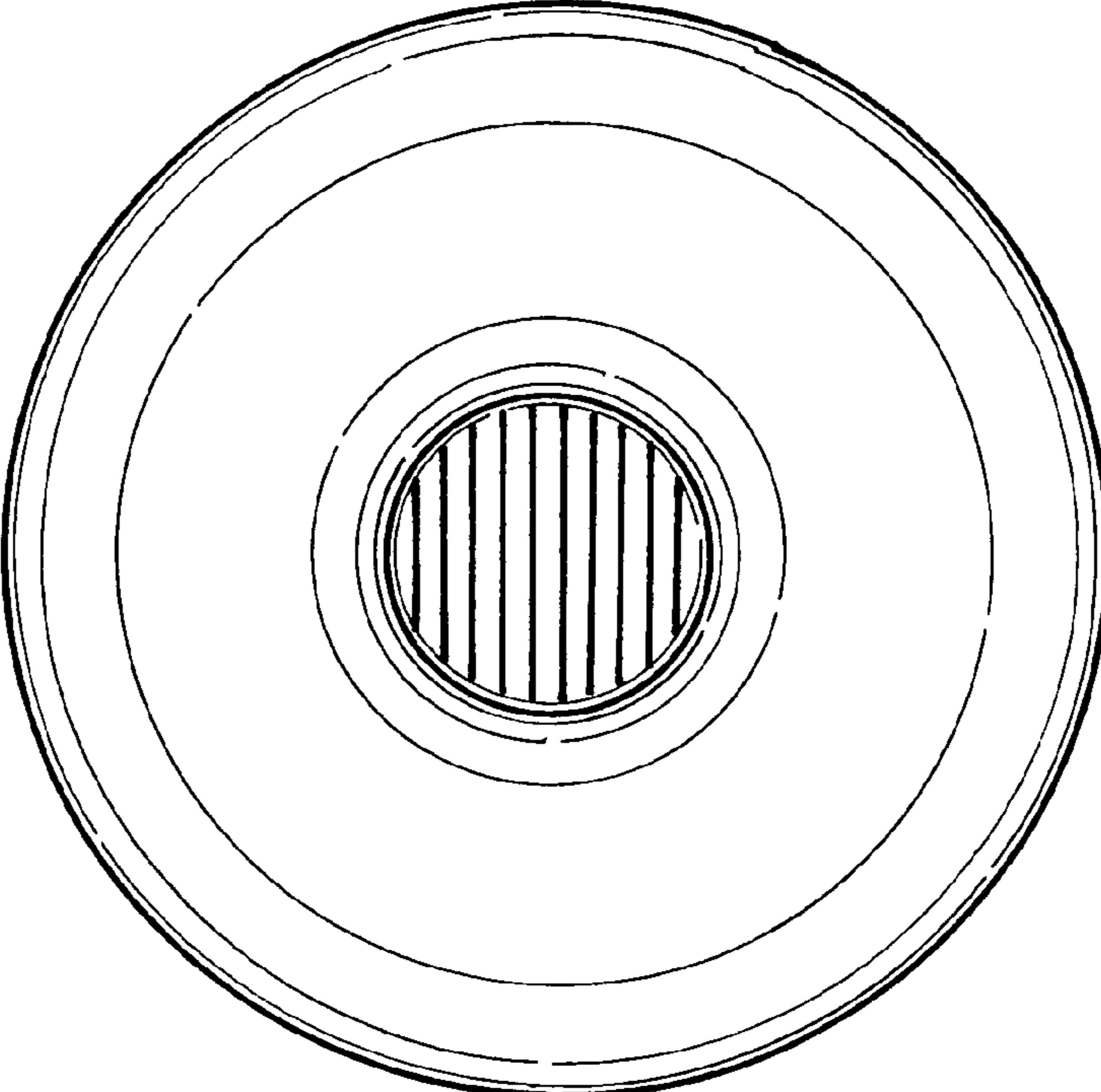


FIG.3

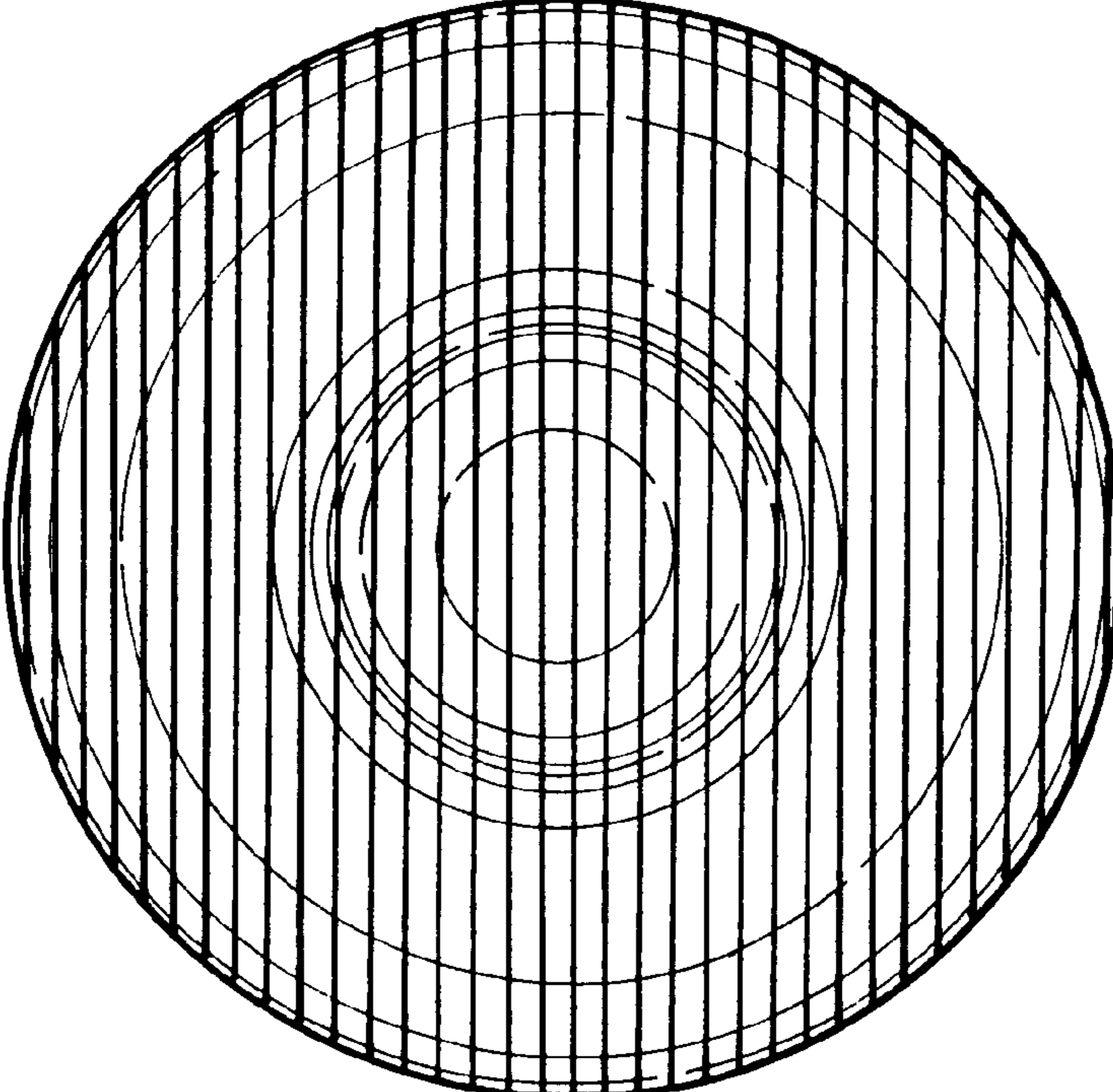


FIG.4