



US00D671186S

(12) **United States Design Patent**
Dobias et al.

(10) **Patent No.:** **US D671,186 S**
(45) **Date of Patent:** **** Nov. 20, 2012**

(54) **ANIMAL TRAP**

(74) *Attorney, Agent, or Firm* — Hunton & Williams LLP

(75) Inventors: **Scott F. Dobias**, Powell, OH (US); **Katie Denise Chapman**, Columbus, OH (US); **Mou Li Lin**, Tainan (TW); **Tsung Yi Chung**, Tainan (TW); **Di Jun Yan**, Hanyang (CN); **Thomas Paul Danniger**, Ostrander, OH (US)

(57) **CLAIM**
We claim the ornamental design for an animal trap, as shown and described.

(73) Assignee: **SMG Brands, Inc.**, Wilmington, DE (US)

DESCRIPTION

(**) Term: **14 Years**

This application is related to U.S. patent application Ser. No. 12/838,092 filed Jul. 16, 2010, entitled "Animal Trap with Collapsible Arm," and to U.S. Design patent application Ser. No. 29/365,930 filed Jul. 16, 2010, entitled "Animal Trap," the contents of which are incorporated herein in their respective entirety to the extent that it is consistent with this invention and application.

(21) Appl. No.: **29/365,929**

FIG. 1 is a perspective view of an animal trap shown in a first position;

(22) Filed: **Jul. 16, 2010**

(51) **LOC (9) Cl.** **22-06**

(52) **U.S. Cl.** **D22/119**

(58) **Field of Classification Search** D22/119–124;
43/60–61, 65–66, 82, 112–113, 124, 131,
43/132.1

FIG. 2 is a front elevation view thereof;

FIG. 3 is a rear elevation view thereof;

FIG. 4 is a side elevation view thereof;

FIG. 5 is an opposite side elevation view thereof;

FIG. 6 is a top view thereof;

FIG. 7 is a bottom view thereof;

FIG. 8 is a perspective view of an animal trap in a second position;

FIG. 9 is a front elevation view thereof;

FIG. 10 is a rear elevation view thereof;

FIG. 11 is a side elevation view thereof;

FIG. 12 is an opposite side view thereof;

FIG. 13 is a top view thereof;

FIG. 14 is a perspective view of an animal trap in a third position;

FIG. 15 is a front elevation view thereof;

FIG. 16 is a rear elevation view thereof;

FIG. 17 is a side elevation view thereof;

FIG. 18 is an opposite side elevation view thereof; and,

FIG. 19 is a top view thereof.

The broken lines in the drawing figures are directed to the environment related to the claimed design and are for illustrative purposes only; the broken lines form no part of the claimed design.

See application file for complete search history.

(56) **References Cited**

U.S. PATENT DOCUMENTS

4,665,644	A *	5/1987	Vajs et al.	43/82
D320,833	S *	10/1991	Lumsden	D22/119
D323,016	S *	1/1992	Vajs	D22/119
5,337,512	A	8/1994	Krenzler	
6,508,031	B1	1/2003	Johnson et al.	
D532,478	S *	11/2006	Wiesener et al.	D22/119
D616,958	S *	6/2010	Huang	D22/119

FOREIGN PATENT DOCUMENTS

GB 233219 5/1925

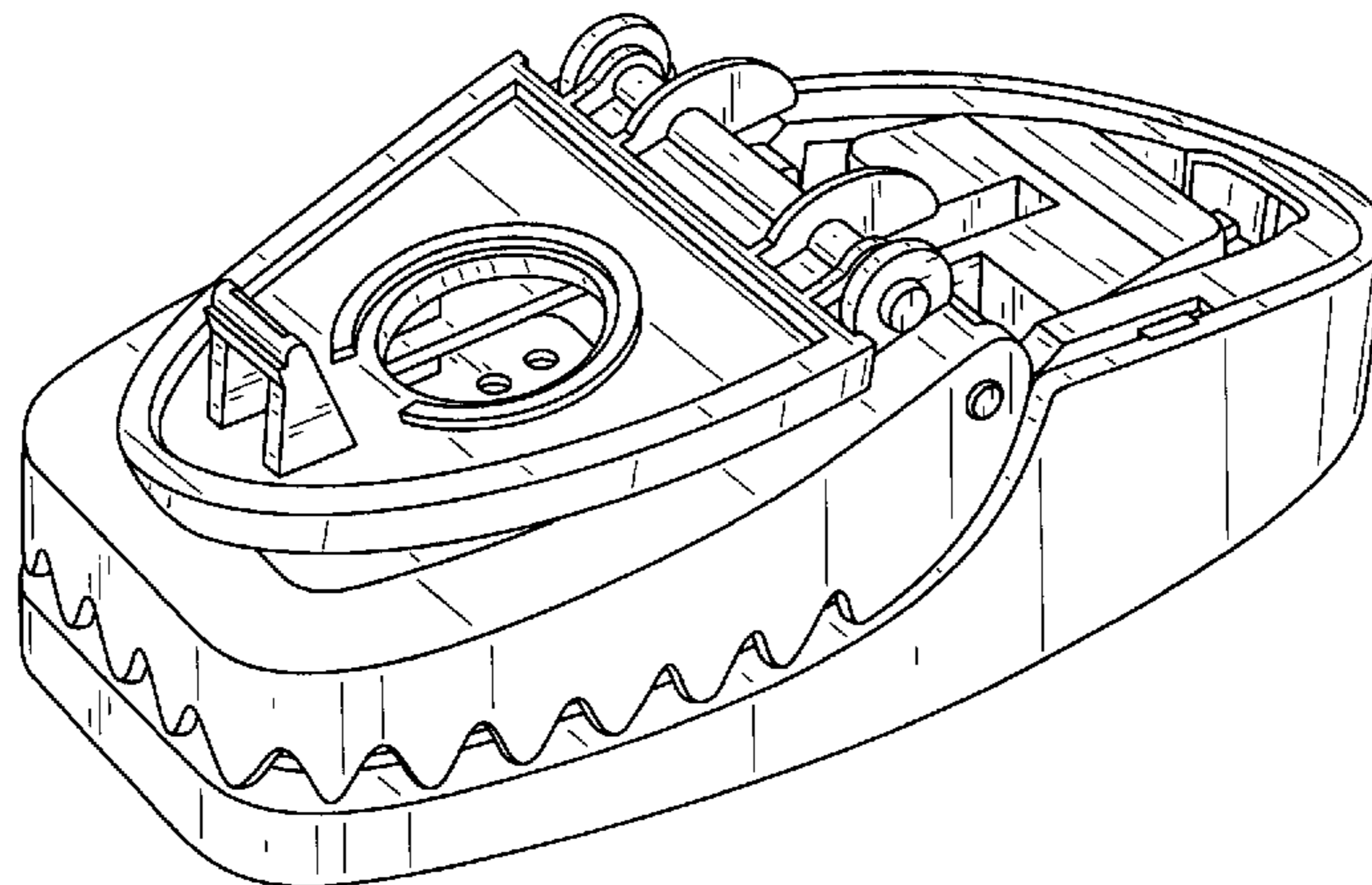
OTHER PUBLICATIONS

International Search Report with Written Opinion from PCT/US2011/044197, dated Dec. 12, 2011.

* cited by examiner

Primary Examiner — Catheri Oliver-Garcia

1 Claim, 16 Drawing Sheets



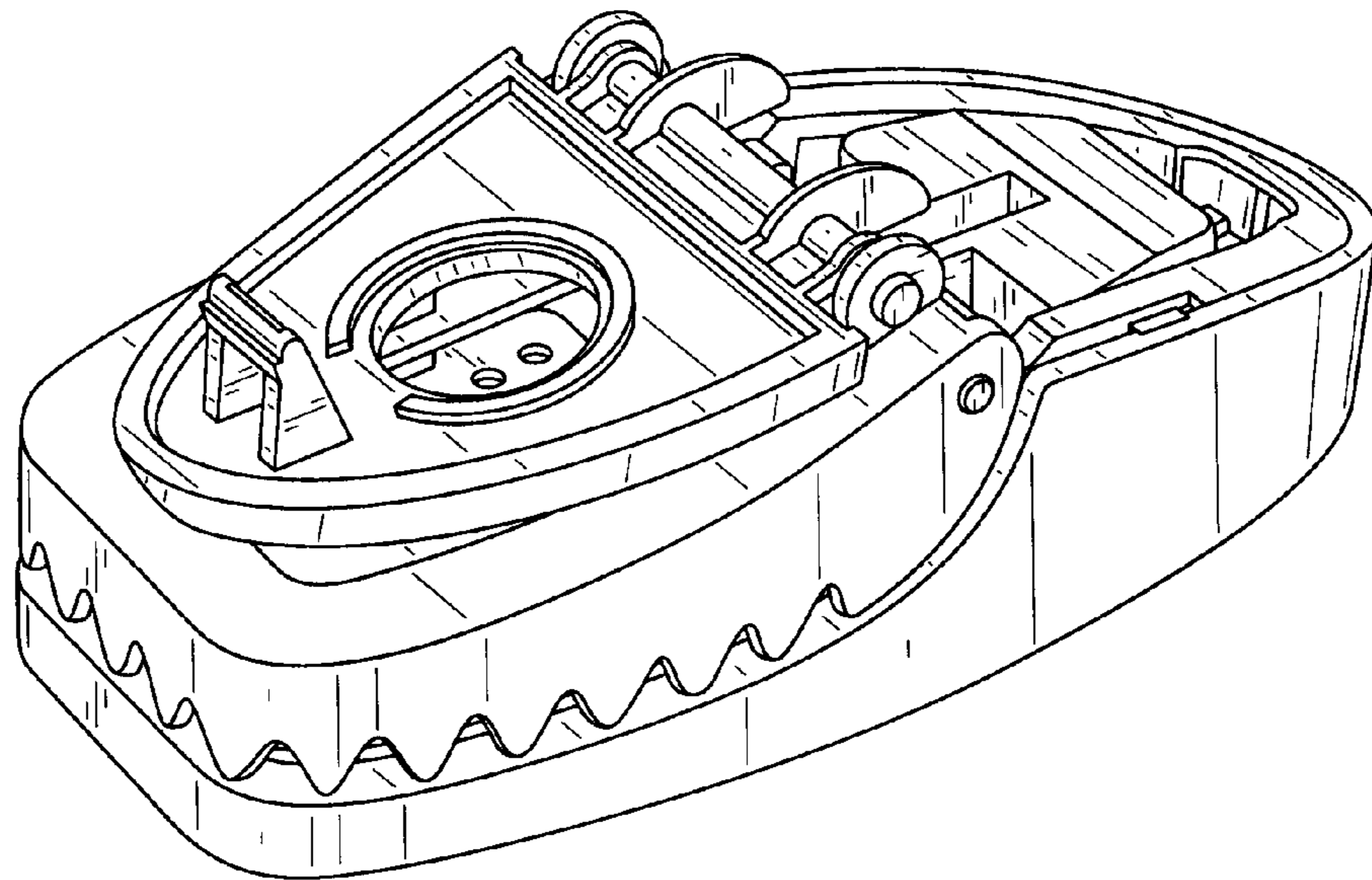


FIG. 1

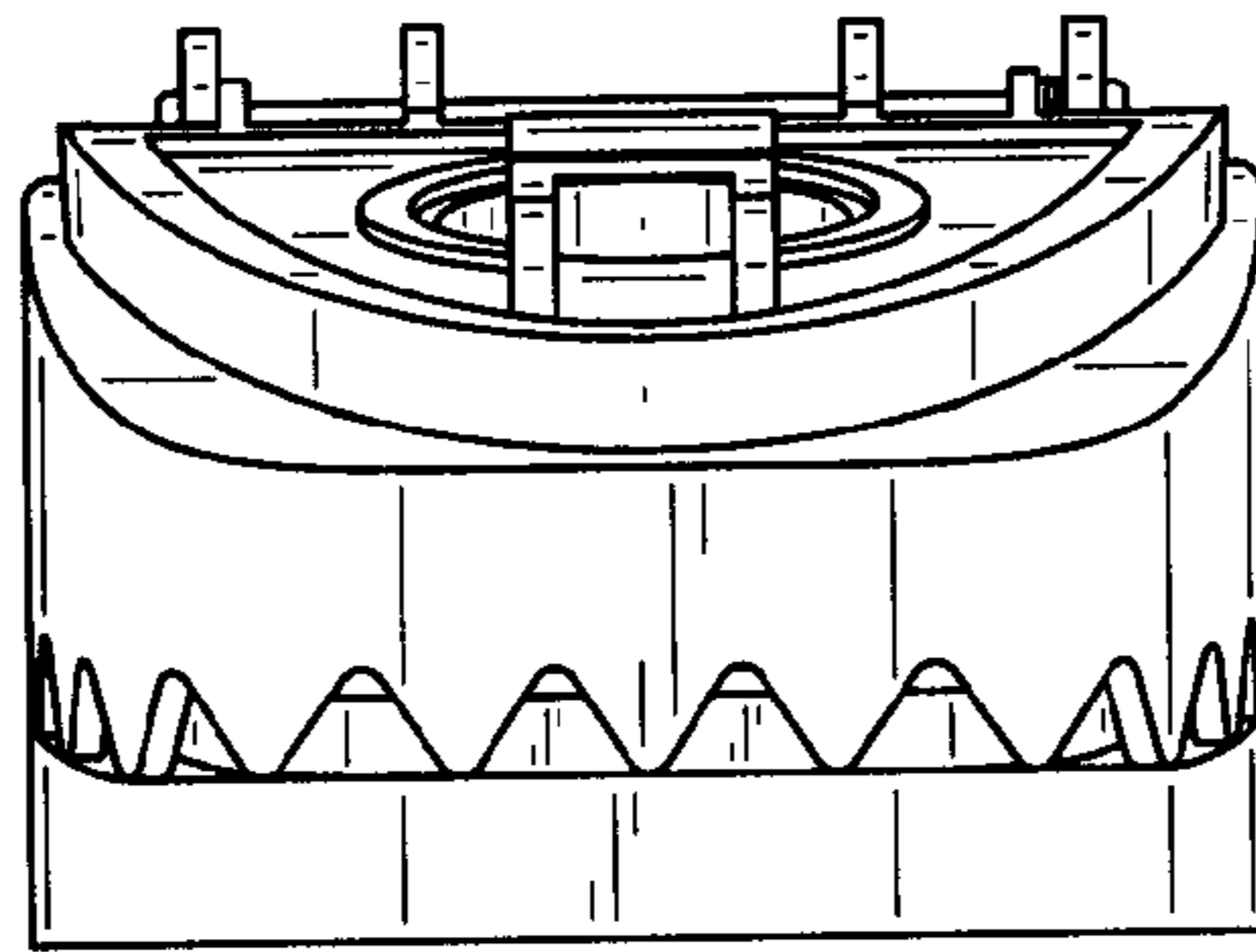


FIG. 2

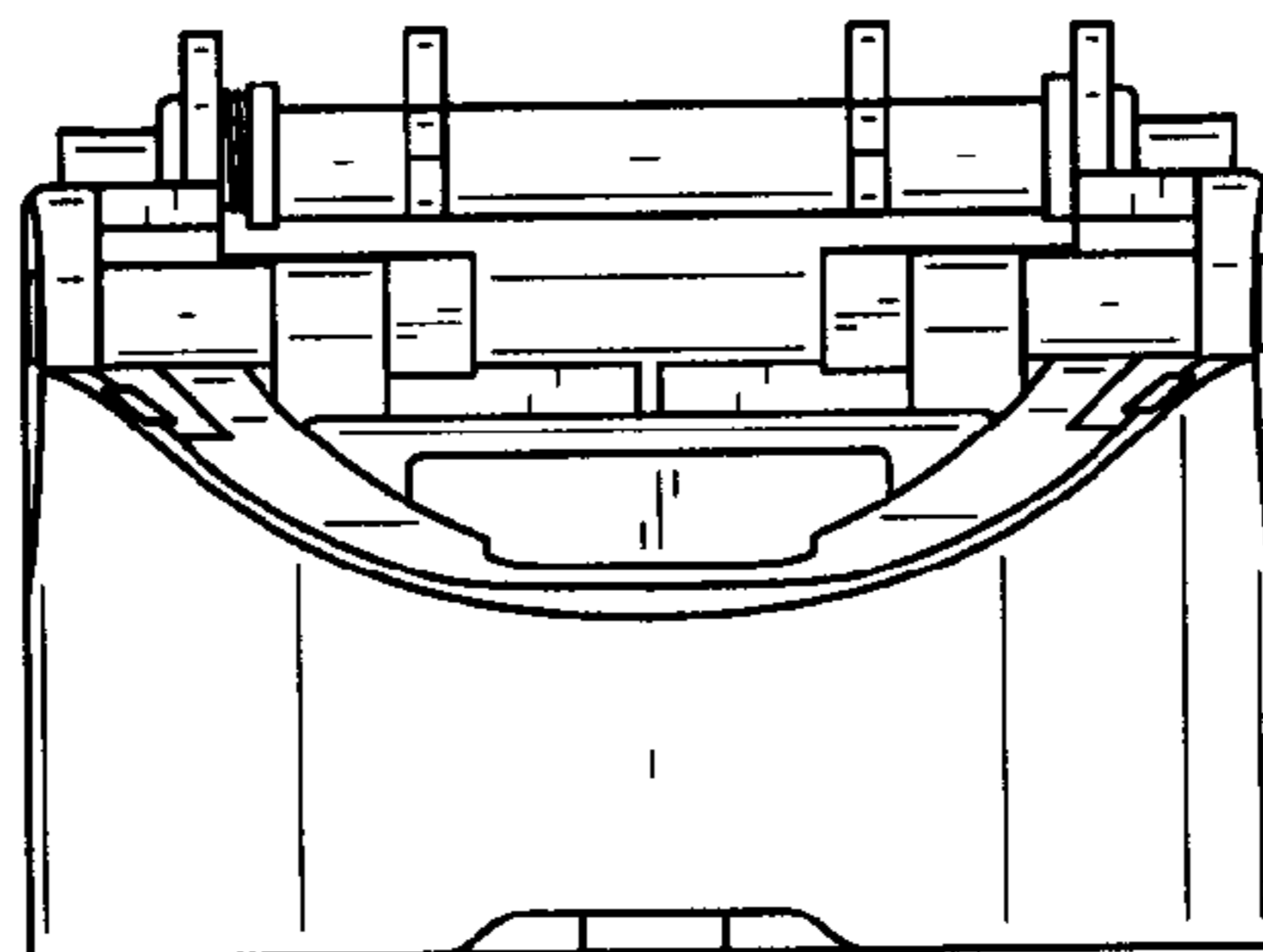


FIG. 3

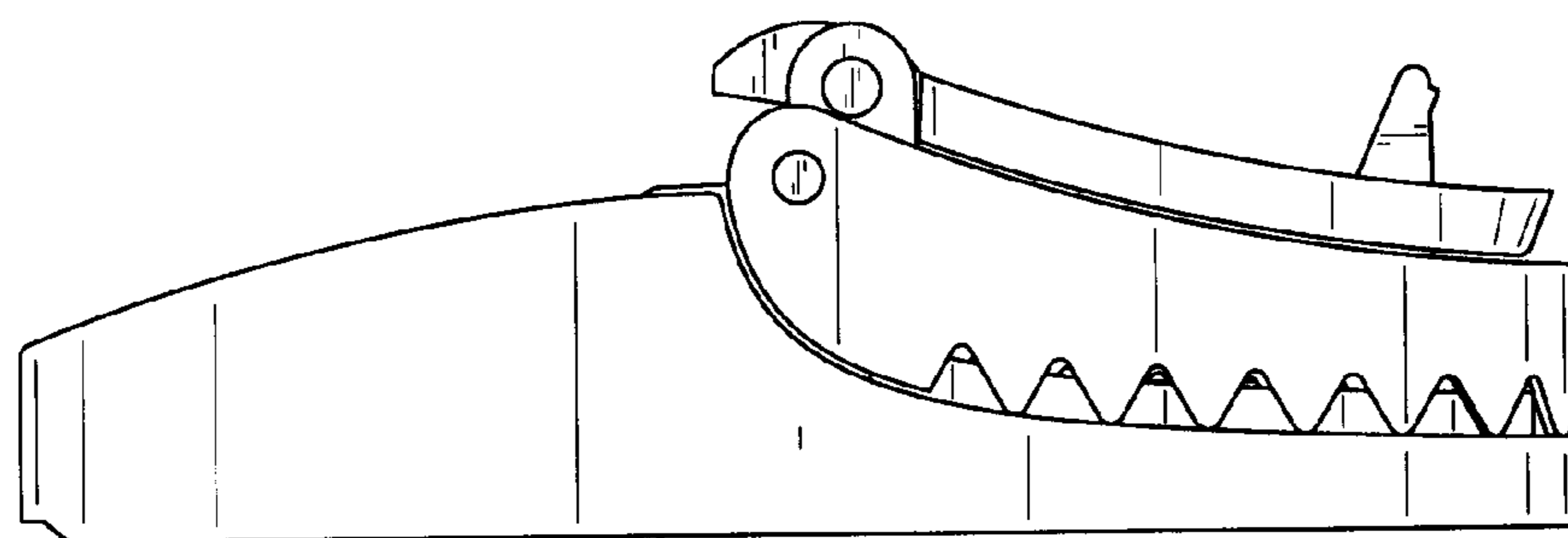


FIG. 4

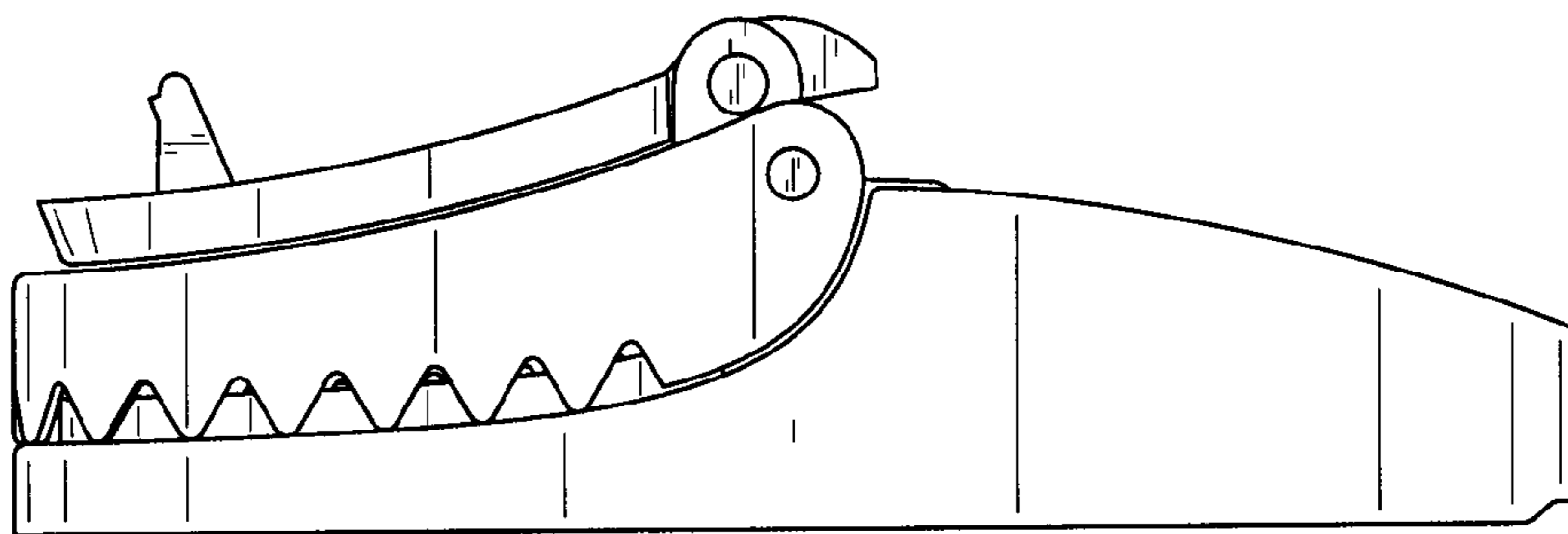


FIG. 5

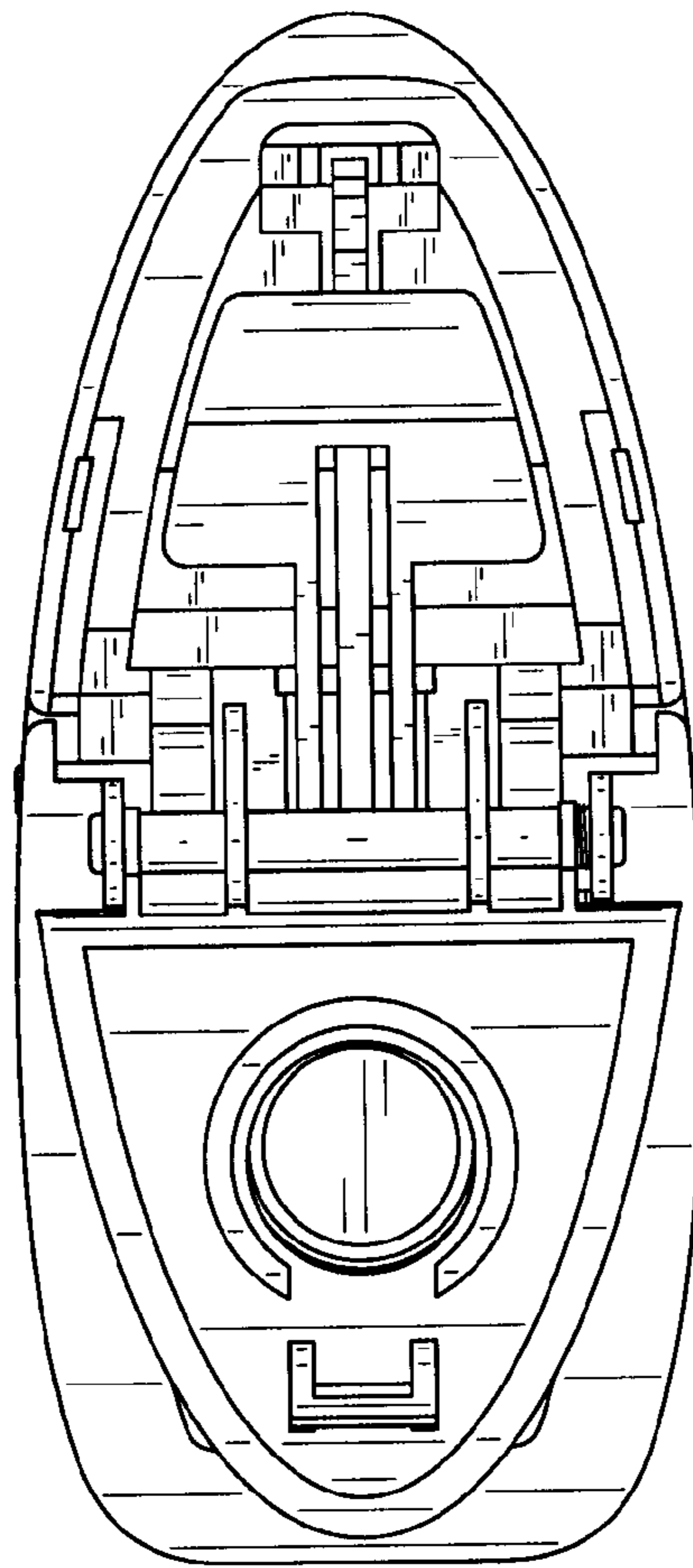


FIG. 6

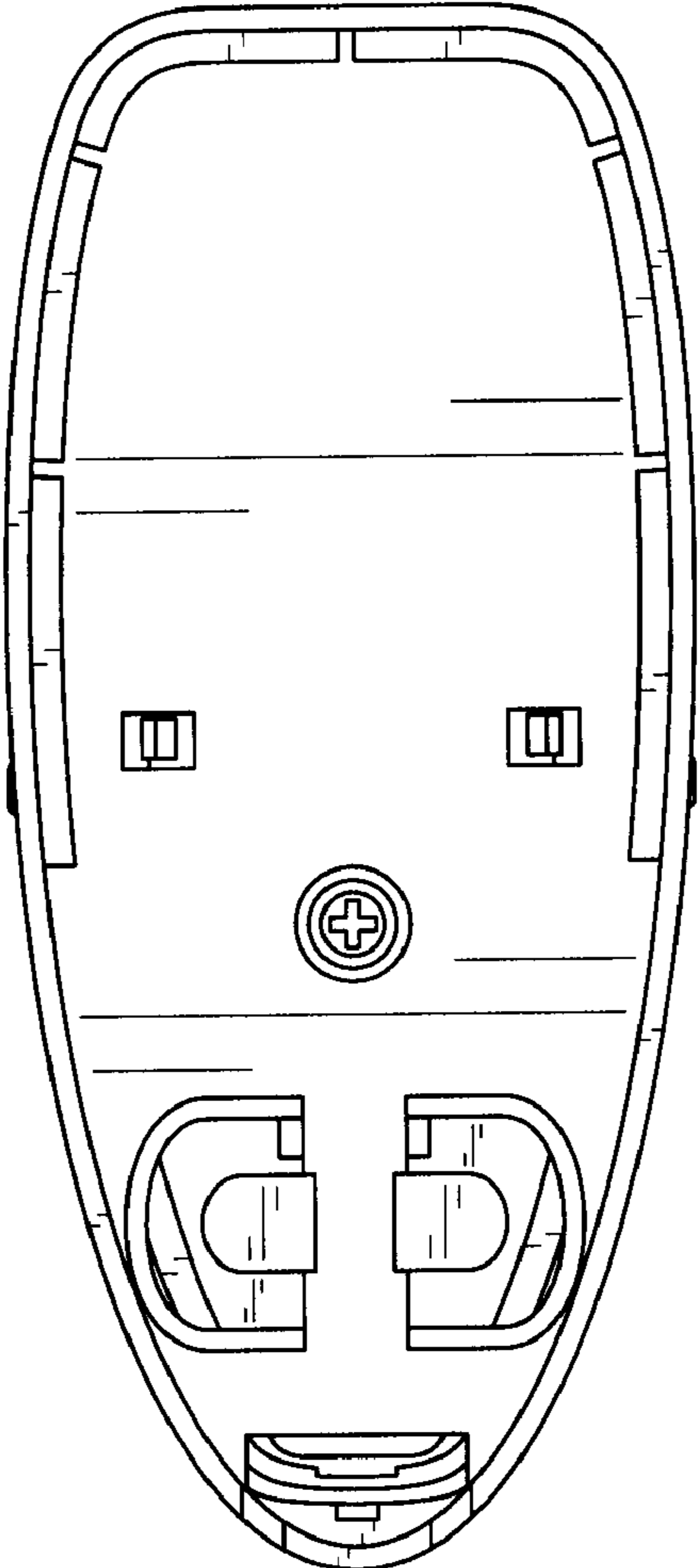


FIG. 7

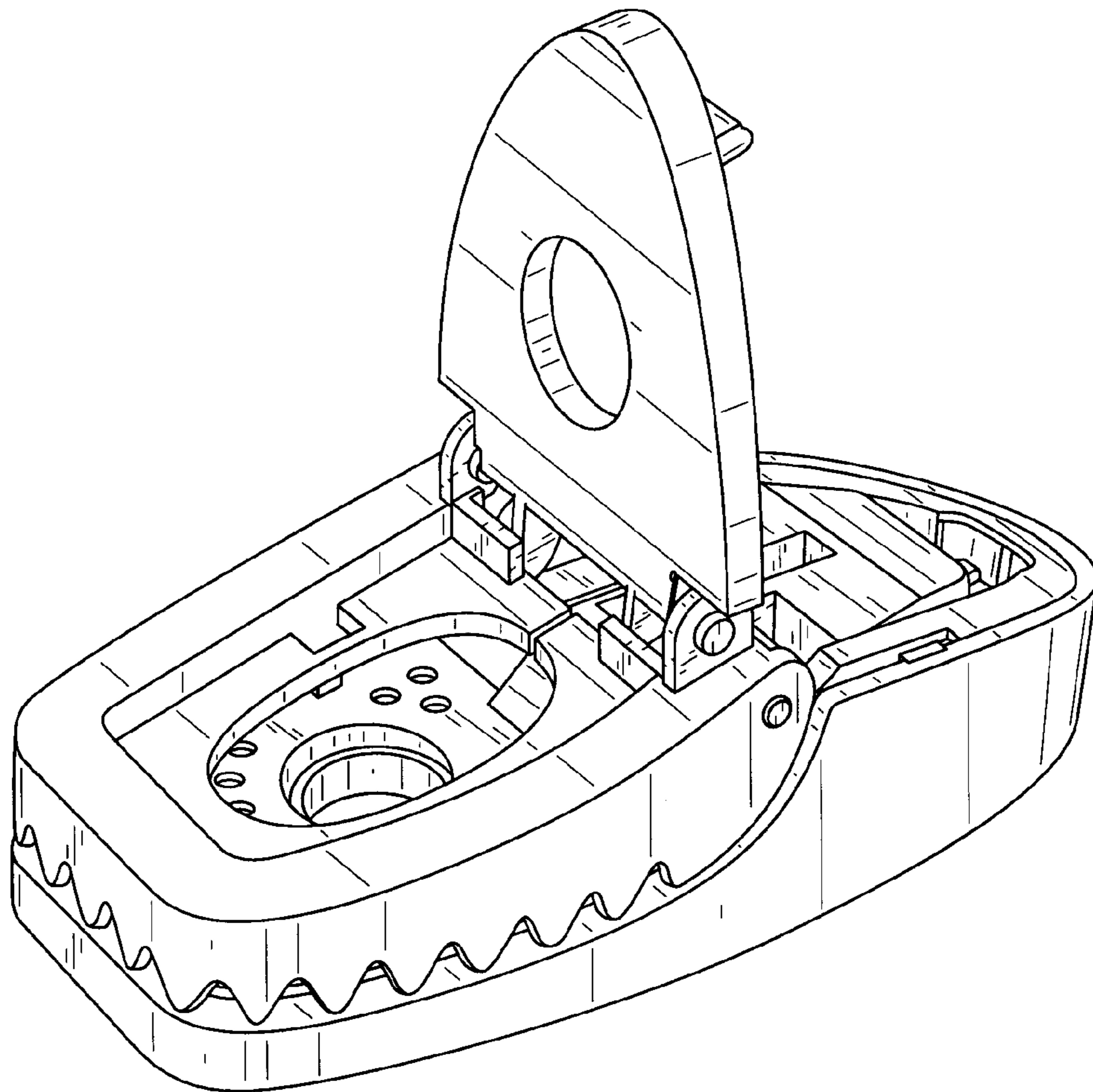


FIG. 8

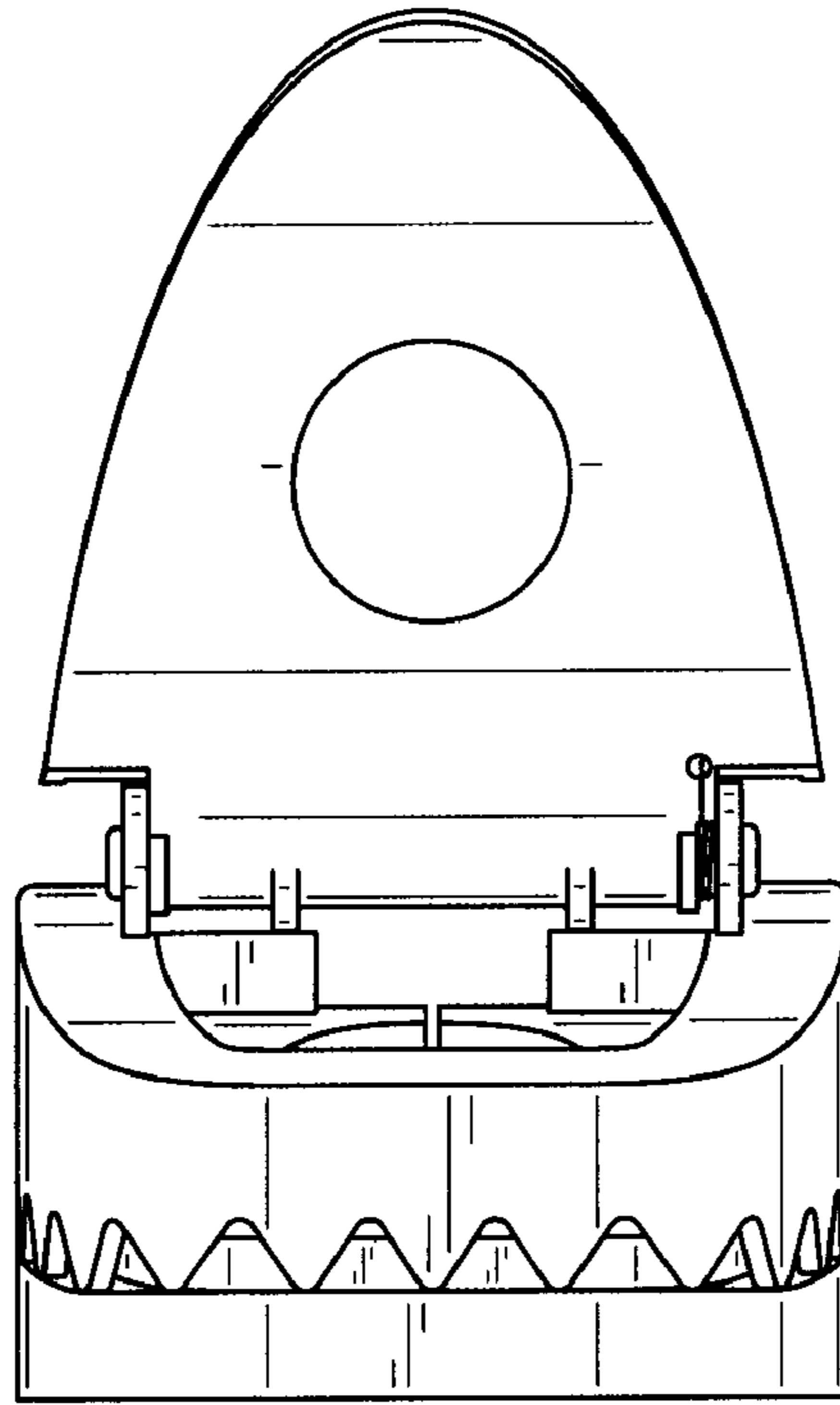


FIG. 9

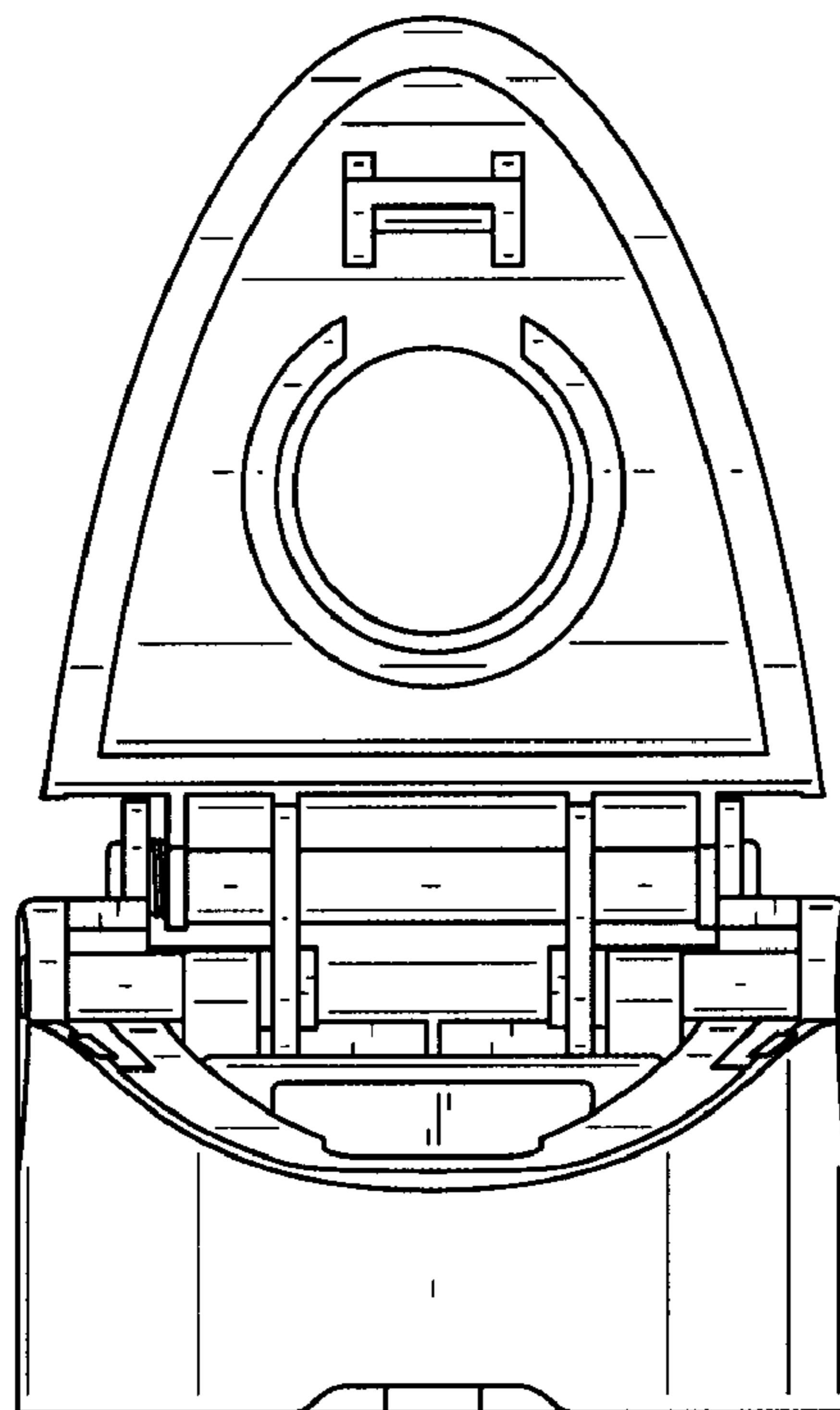


FIG. 10

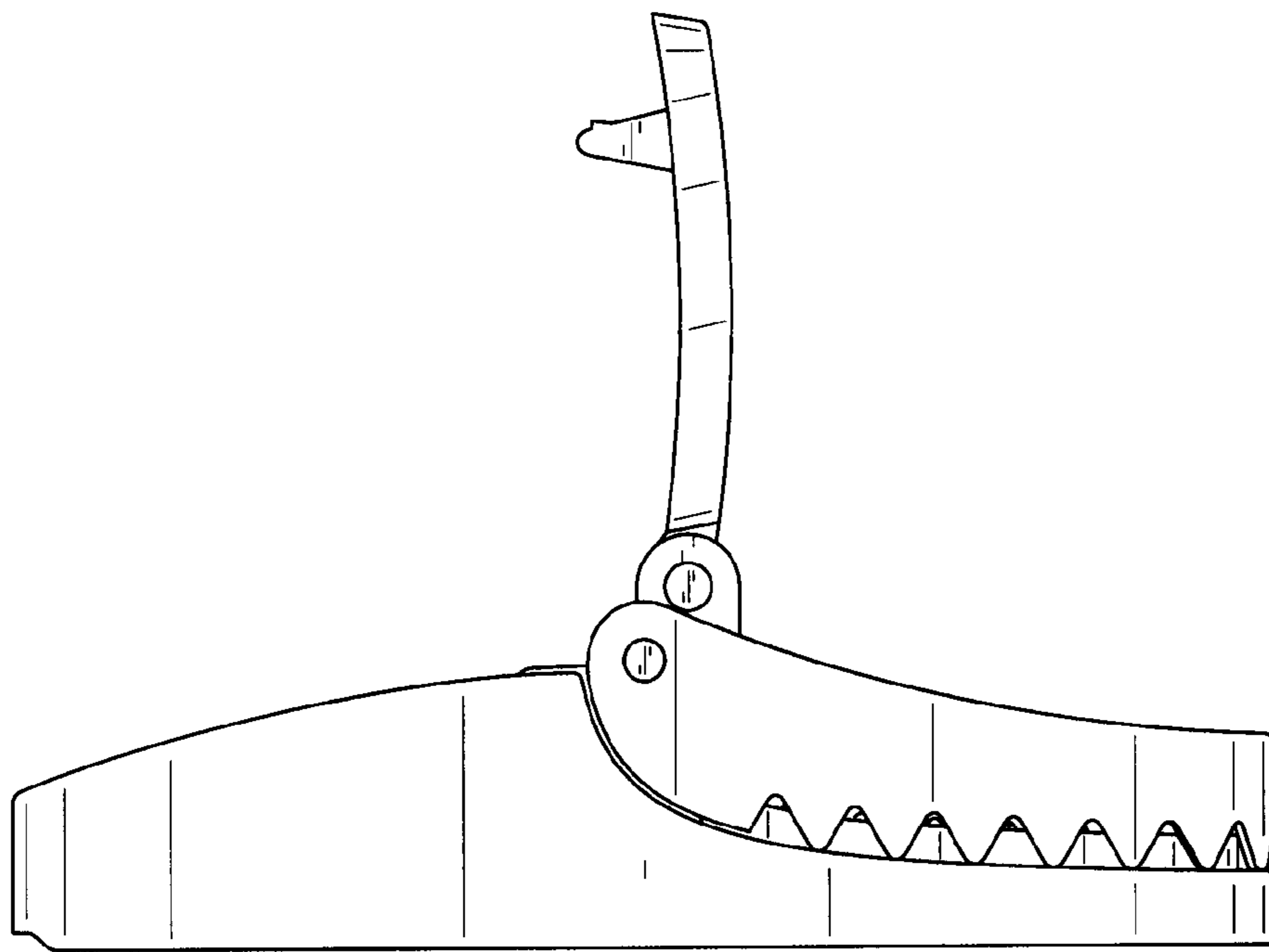


FIG. 11

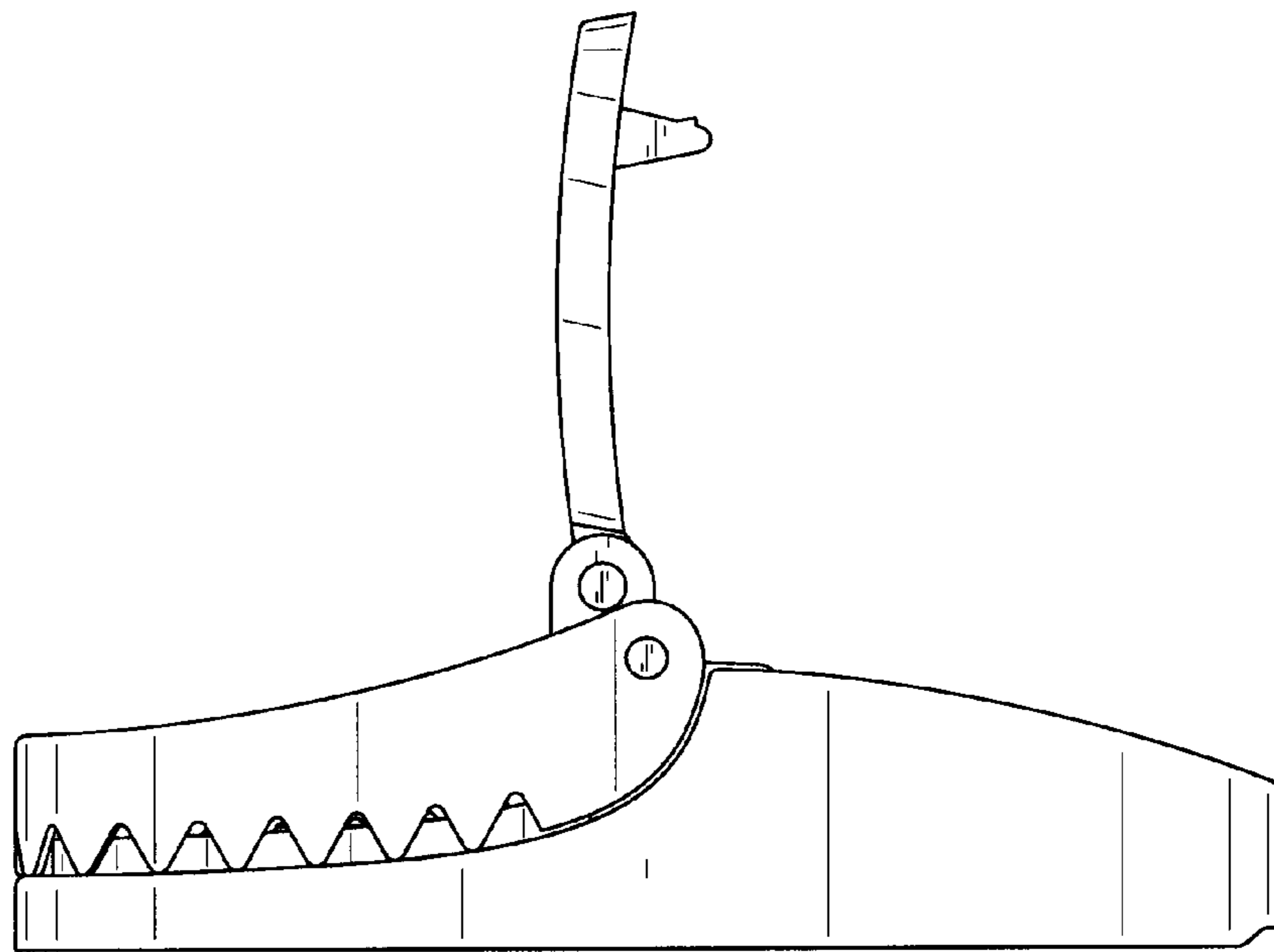


FIG. 12

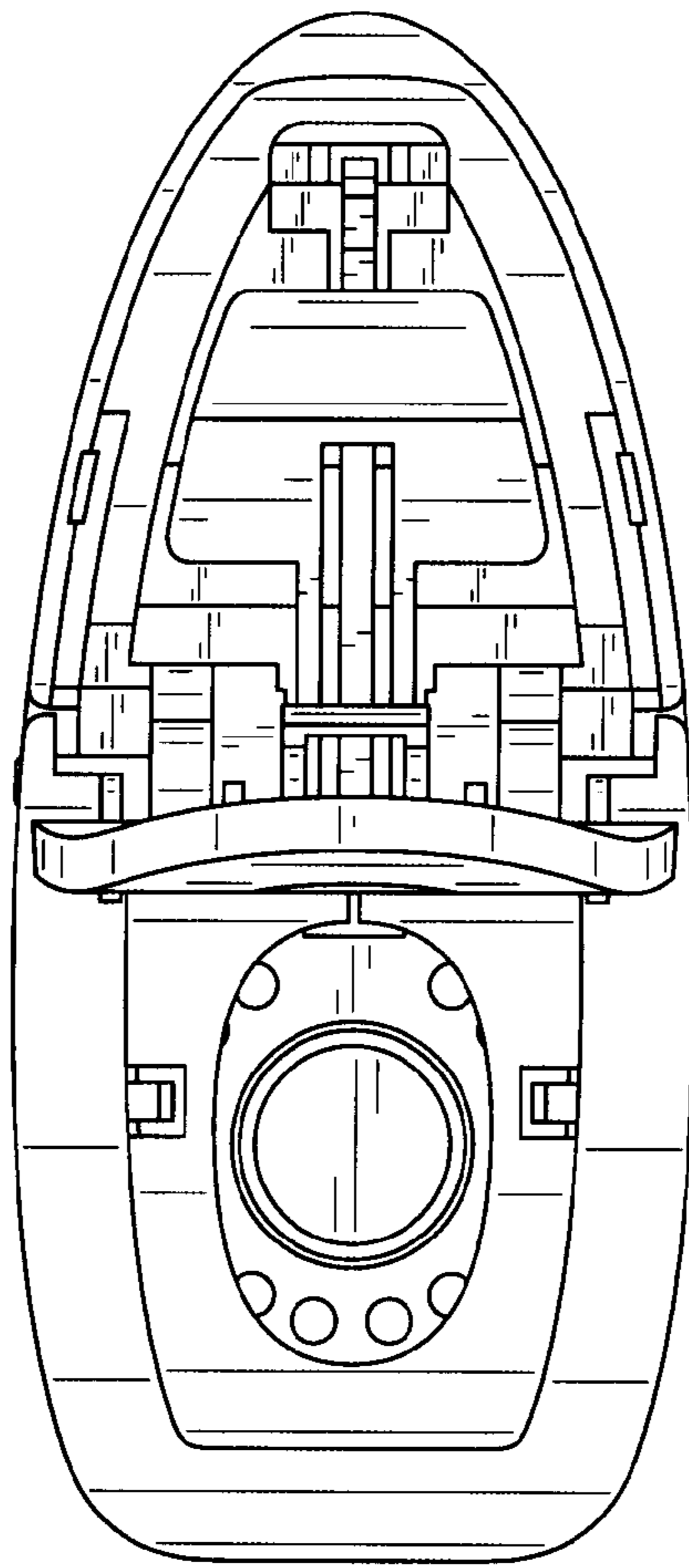


FIG. 13

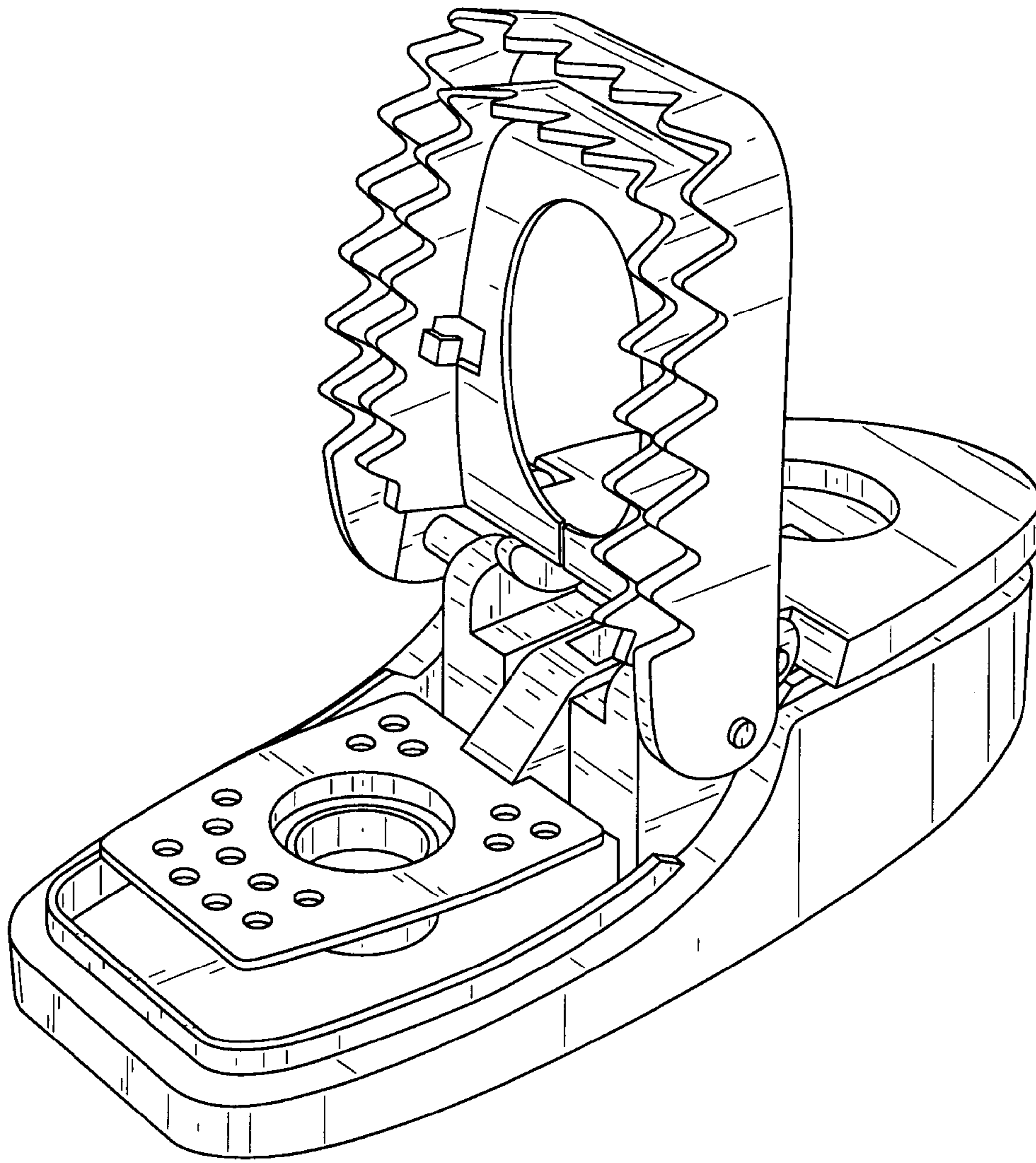


FIG. 14

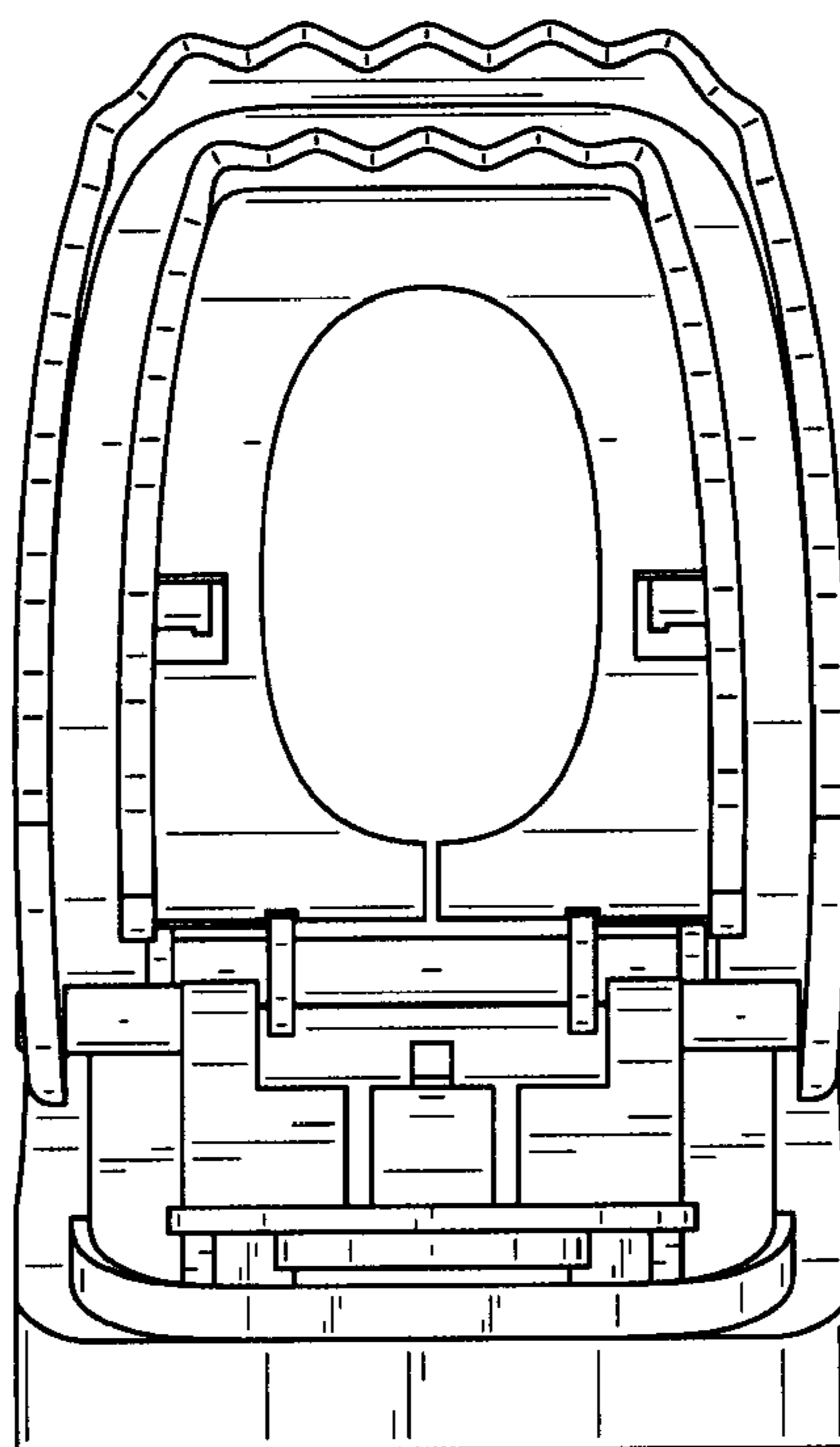


FIG. 15

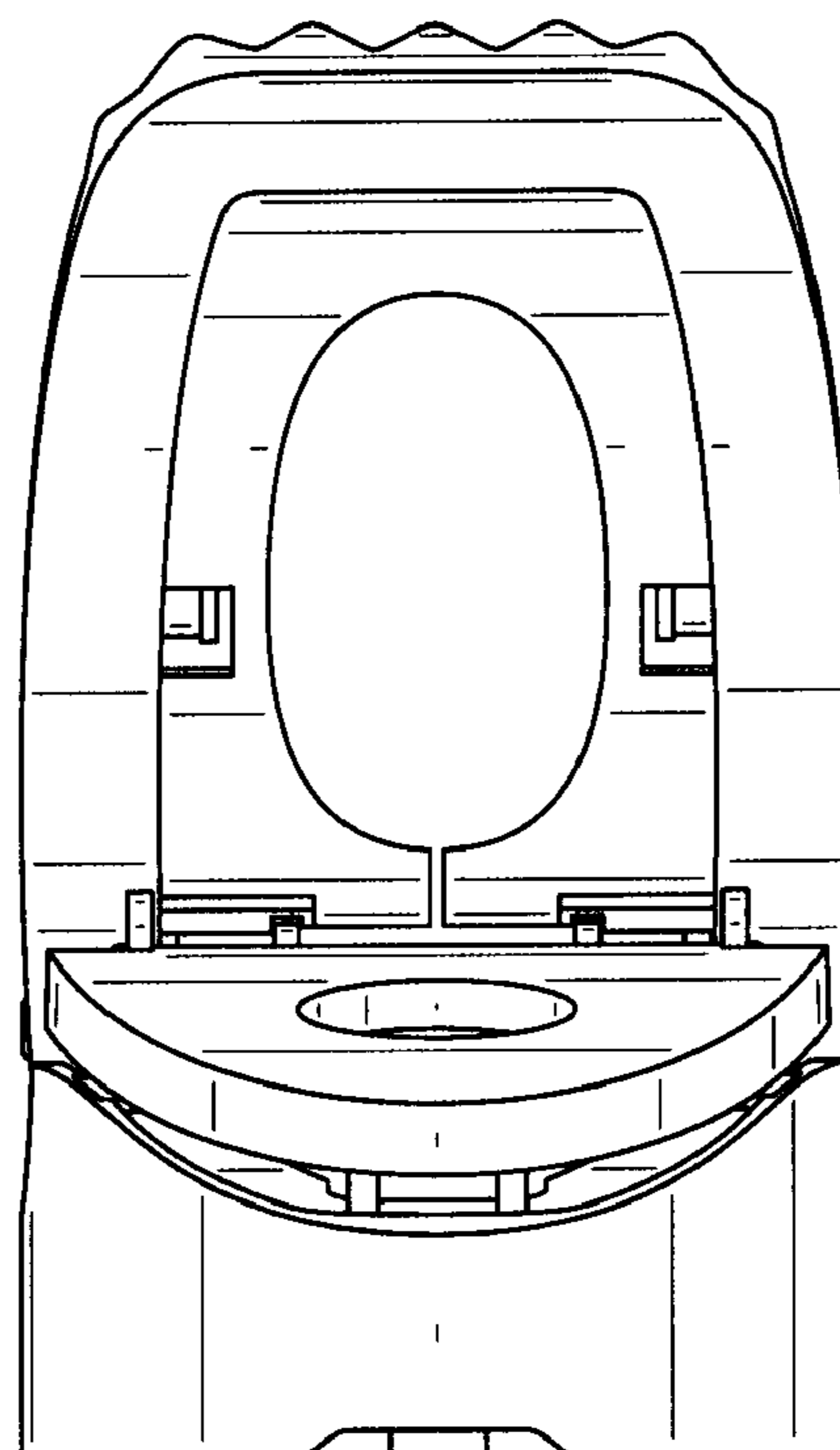


FIG. 16

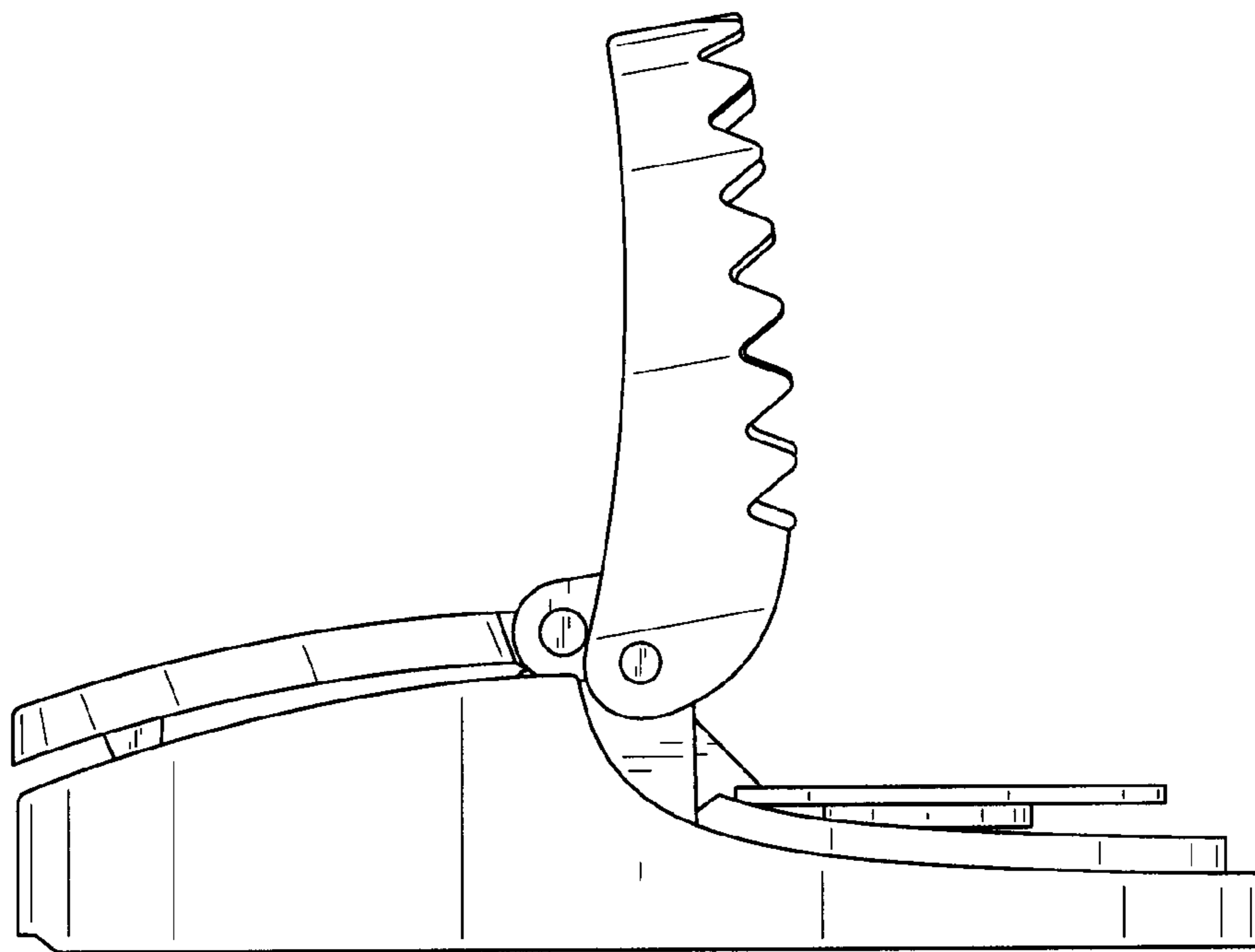


FIG. 17

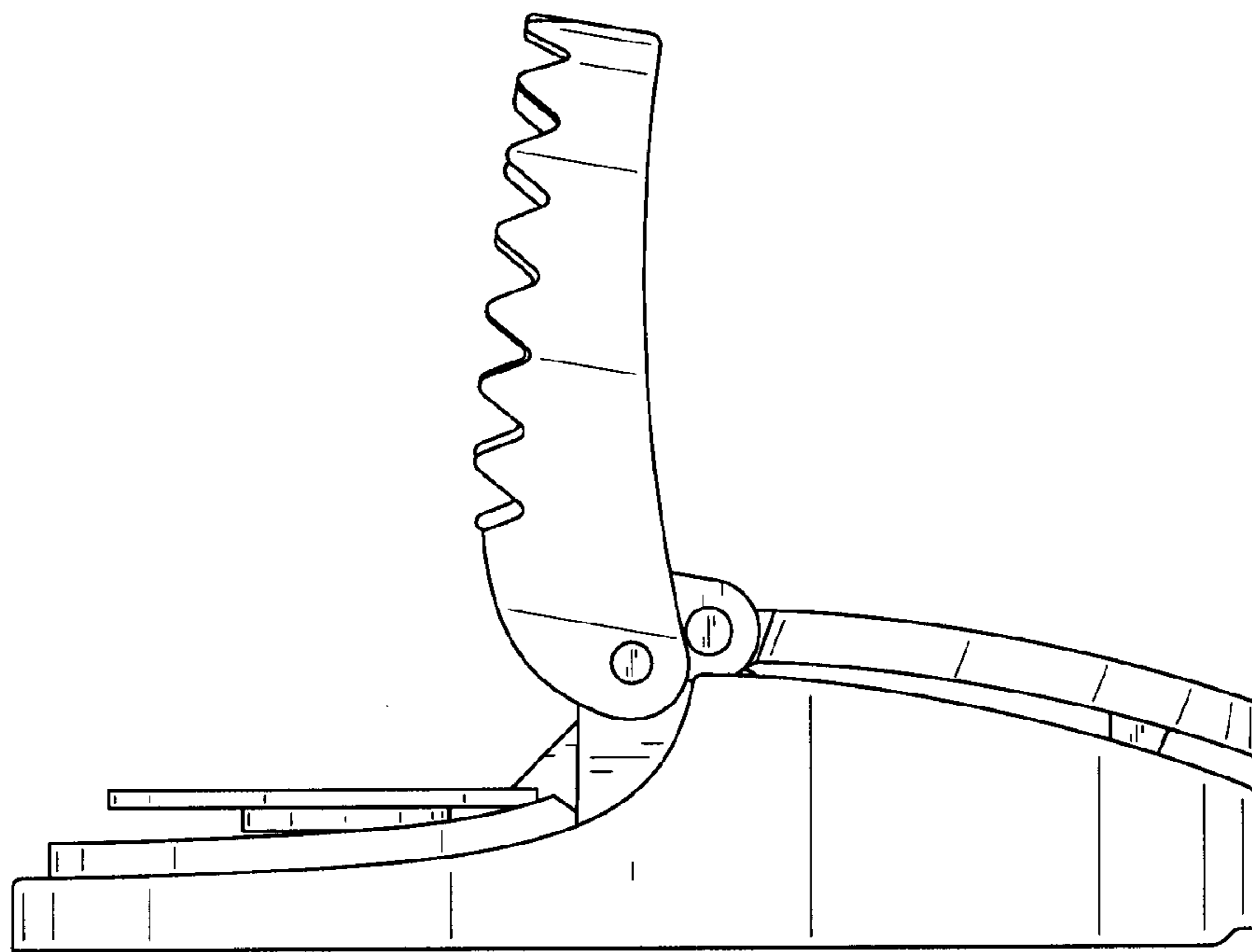


FIG. 18

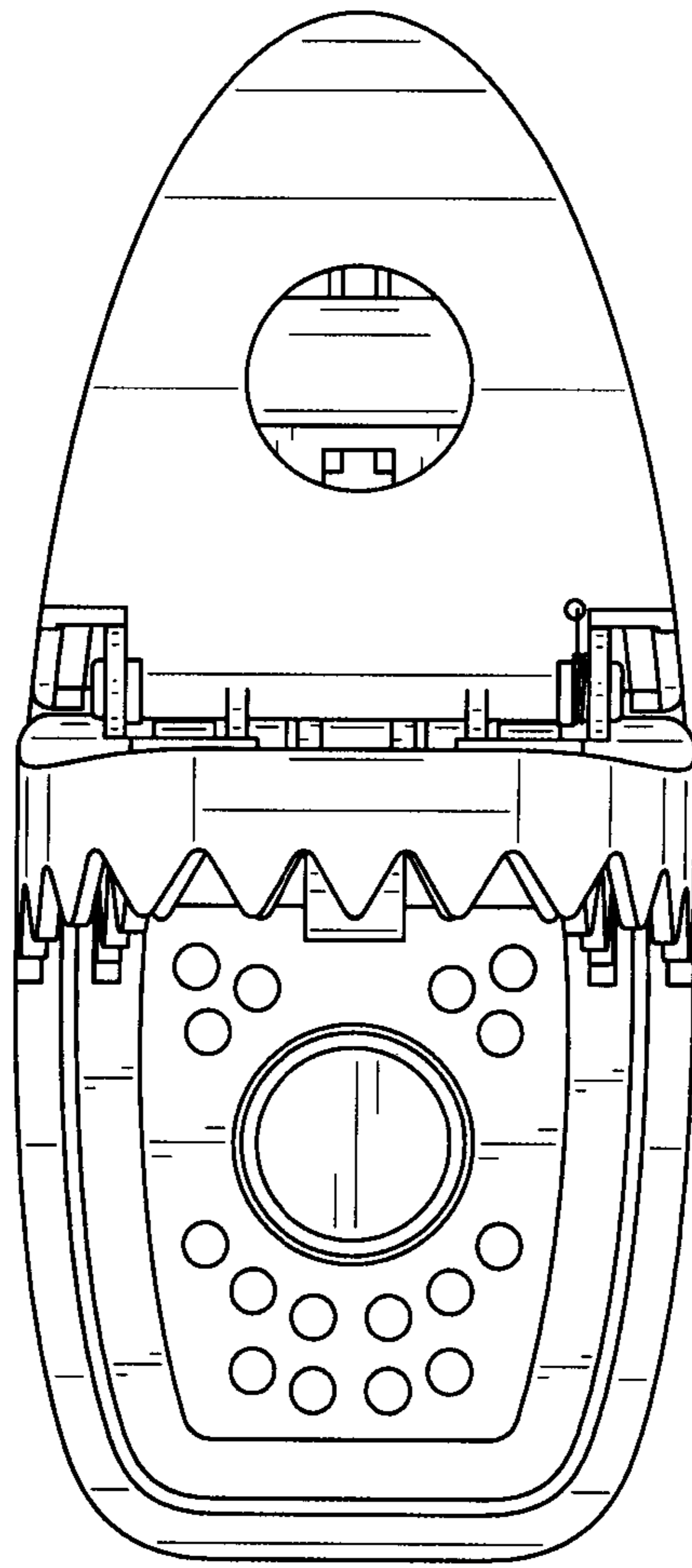


FIG. 19