



US00D671185S

(12) **United States Design Patent**  
**Ryan**

(10) **Patent No.:** **US D671,185 S**

(45) **Date of Patent:** **\*\* Nov. 20, 2012**

(54) **KNIFE**

(75) **Inventor:** **Steven T. Ryan**, Westminster, CA (US)

(73) **Assignee:** **SureFire, LLC**, Fountain Valley, CA (US)

(\*\*) **Term:** **14 Years**

(21) **Appl. No.:** **29/410,793**

(22) **Filed:** **Jan. 12, 2012**

(51) **LOC (9) Cl.** ..... **22-02**

(52) **U.S. Cl.** ..... **D22/118**

(58) **Field of Classification Search** ..... D22/118;  
D8/95-99, 107; 30/151-152, 162, 164, 154,  
30/340, 294; D7/649, 401.2

See application file for complete search history.

(56) **References Cited**

**U.S. PATENT DOCUMENTS**

2,389,882 A \* 11/1945 Wood, Jr. .... 30/340  
D379,914 S \* 6/1997 Bloch ..... D8/98  
D569,474 S \* 5/2008 Ubelander ..... D22/118

D607,529 S \* 1/2010 Craffey ..... D22/118

\* cited by examiner

*Primary Examiner* — Catheri Oliver-Garcia

(74) *Attorney, Agent, or Firm* — Haynes and Boone, LLP

(57) **CLAIM**

The ornamental design for a knife, as shown and described.

**DESCRIPTION**

FIG. 1 is a front perspective view of a knife showing the new design;

FIG. 2 is a rear perspective view thereof;

FIG. 3 is a front elevational view thereof;

FIG. 4 is a rear elevational view thereof.

FIG. 5 is a right side elevational view thereof;

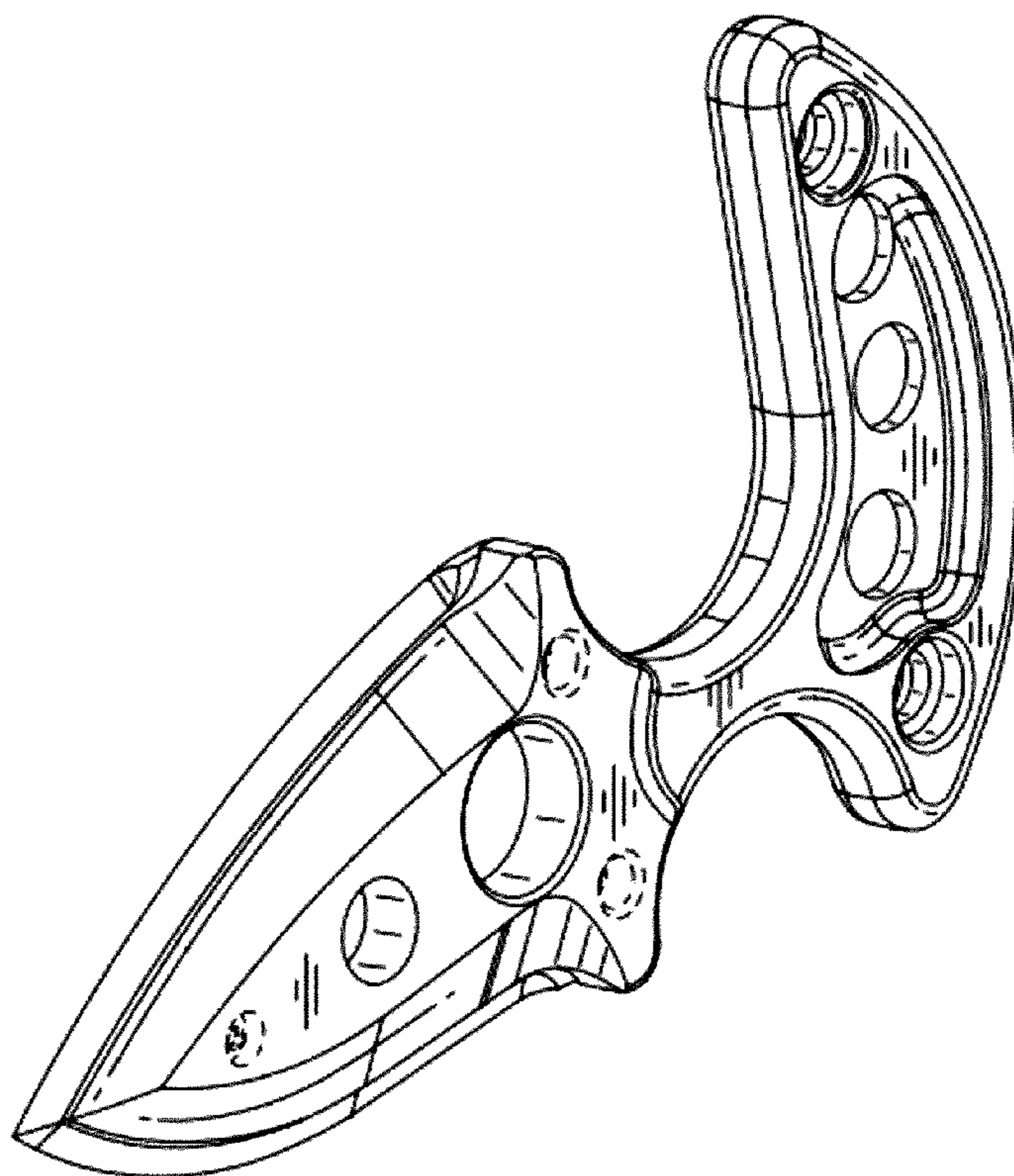
FIG. 6 is a left side elevational view thereof;

FIG. 7 is a top plan view thereof; and,

FIG. 8 is a bottom plan view thereof.

The broken lines in the drawings illustrate environmental features and form no part of the claimed design.

**1 Claim, 8 Drawing Sheets**



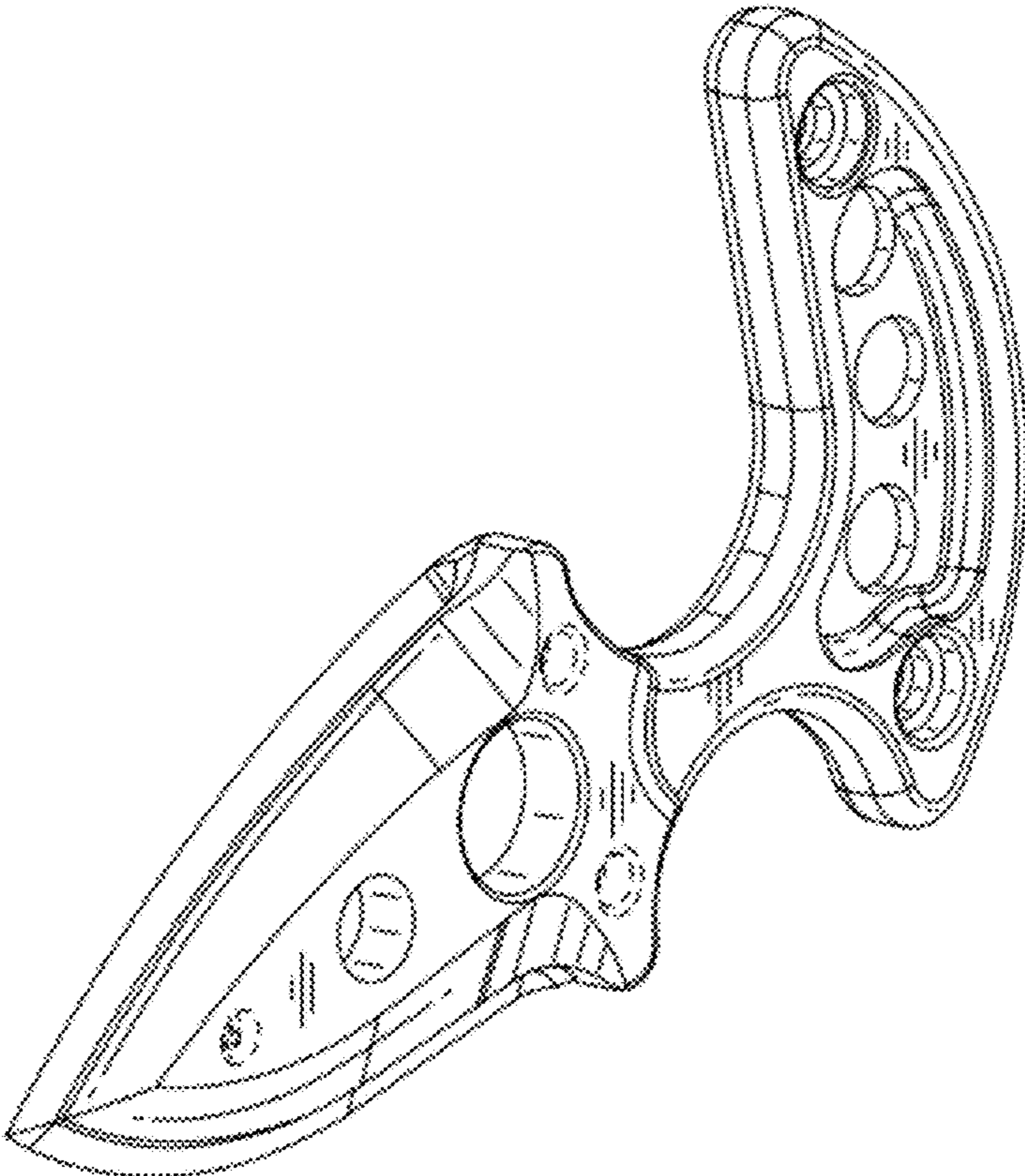


FIG. 1

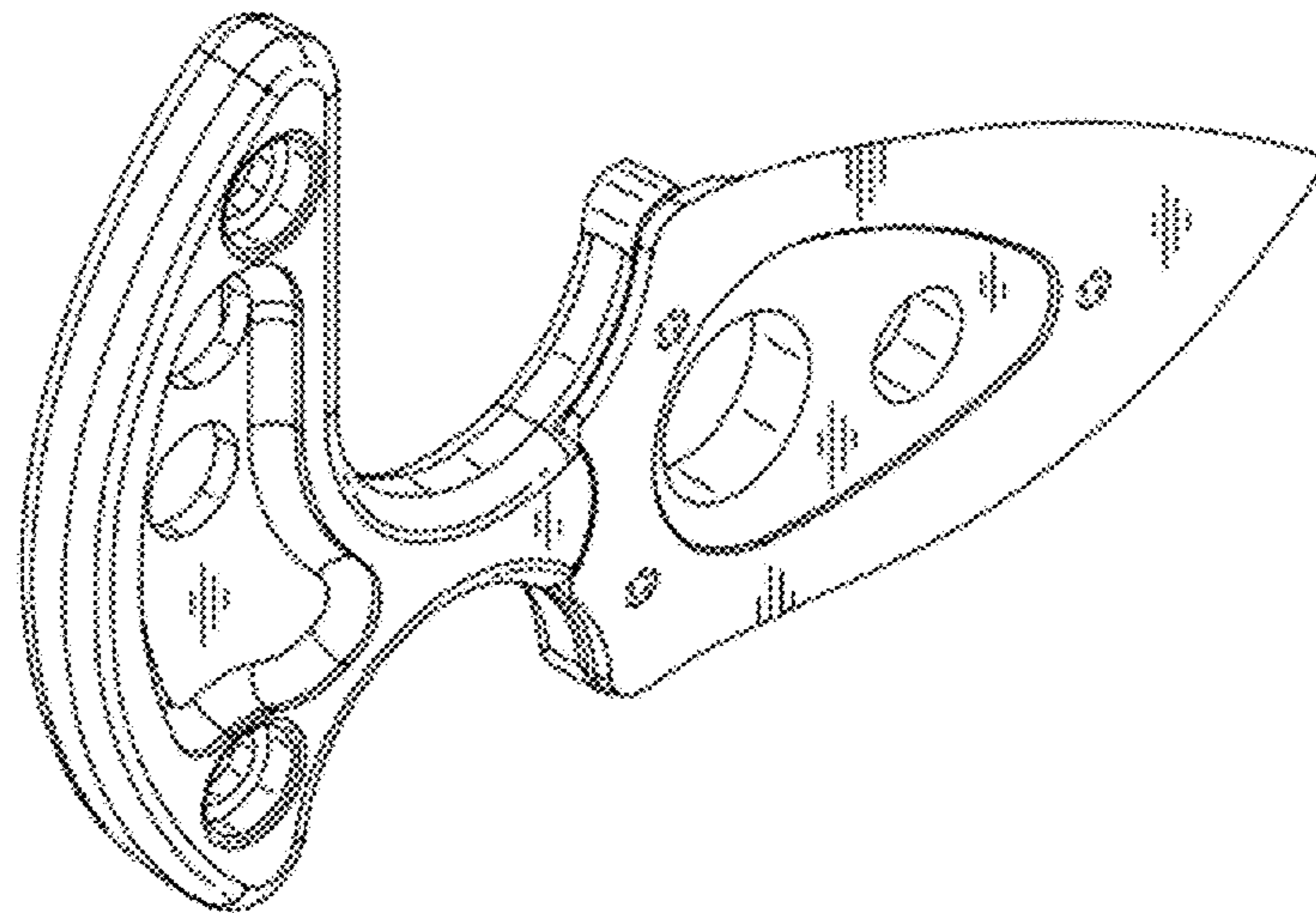


FIG. 2



FIG. 3

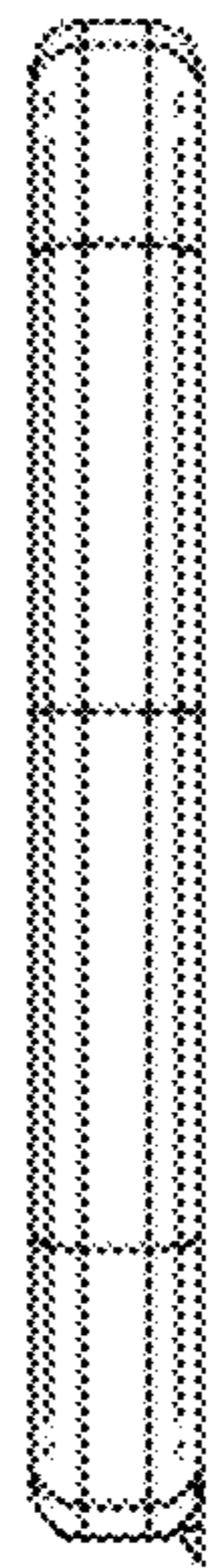


FIG. 4

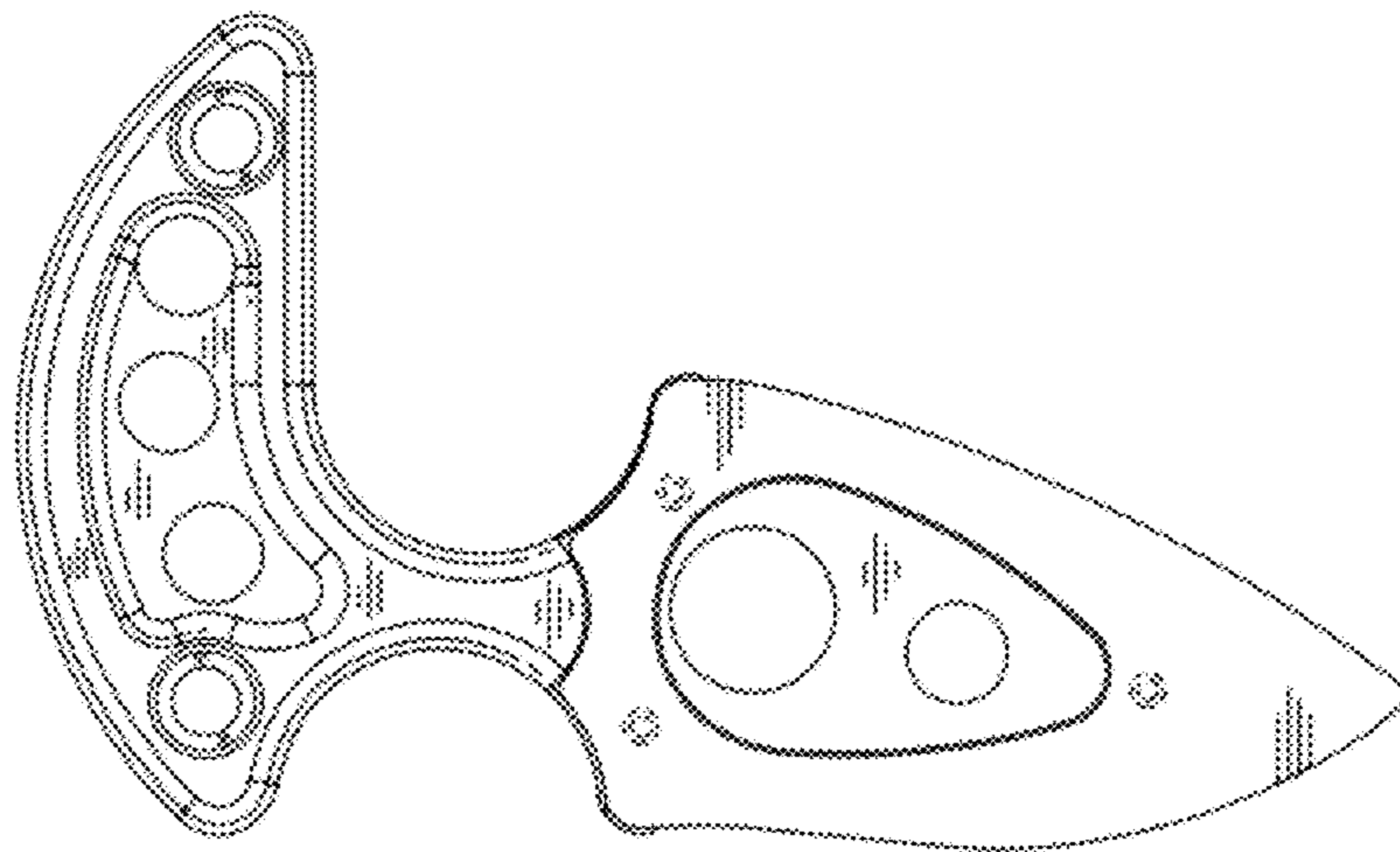


FIG. 5

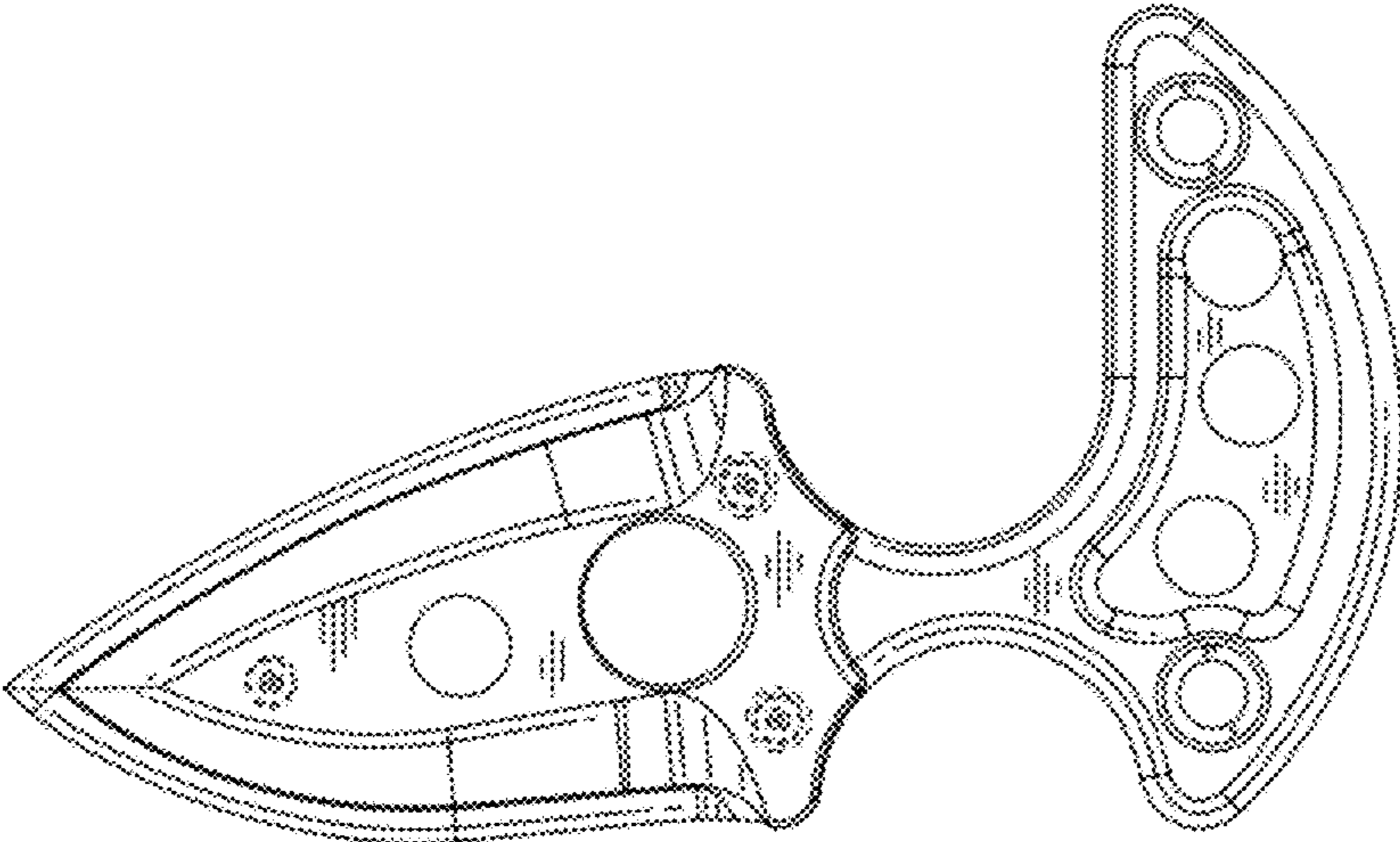


FIG. 6

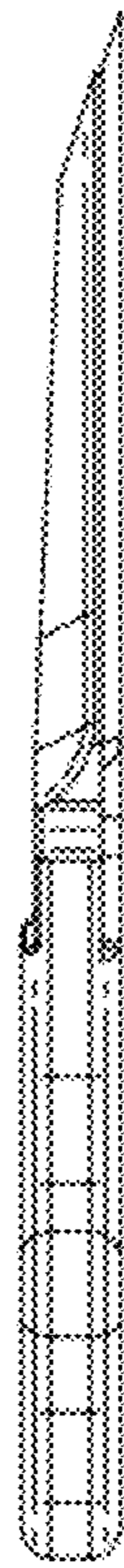


FIG. 7



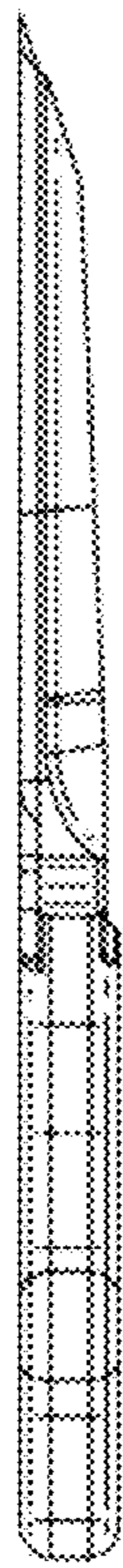


FIG. 8