



US00D671183S

(12) **United States Design Patent**
Lucansky

(10) **Patent No.:** **US D671,183 S**

(45) **Date of Patent:** **** Nov. 20, 2012**

(54) **FIREARM, REPLICAFIREARM, OR TOY FIREARM**

(75) Inventor: **Jan Lucansky**, Trencin (SK)

(73) Assignee: **Ceska Zbrojovka A.S.**, Uhersky Brod (CZ)

(**) Term: **14 Years**

(21) Appl. No.: **29/397,369**

(22) Filed: **Jul. 14, 2011**

(30) **Foreign Application Priority Data**

May 19, 2011 (EP) 001865742

(51) **LOC (9) Cl.** **22-01**

(52) **U.S. Cl.** **D22/103**

(58) **Field of Classification Search** D22/103,
D22/108; D21/572-575; 42/49.01-49.02,
42/51, 71.01, 75.01, 75.02, 90, 94, 134, 136,
42/139, 125, 72, 111; 89/40.06, 41.19, 37.04,
89/33.04, 191.01, 200-204; 124/67, 66,
124/72, 74

See application file for complete search history.

(56) **References Cited**

U.S. PATENT DOCUMENTS

7,797,873	B2 *	9/2010	Gering et al.	42/105
7,810,271	B2 *	10/2010	Patel	42/75.03
D641,824	S *	7/2011	Gridelet	D22/103
D641,825	S *	7/2011	Gridelet	D22/103
8,087,194	B1 *	1/2012	Vuksanovich	42/75.02
2008/0236017	A1 *	10/2008	Fitzpatrick et al.	42/73
2009/0031605	A1 *	2/2009	Robinson	42/2
2009/0077852	A1 *	3/2009	Steimke et al.	42/39.5
2010/0186582	A1 *	7/2010	Juarez	89/191.01
2011/0017788	A1 *	1/2011	Haley et al.	224/150
2011/0185617	A1 *	8/2011	Brixius	42/71.01
2012/0085226	A1 *	4/2012	Thiele et al.	89/191.01
2012/0106170	A1 *	5/2012	Matthews et al.	362/311.06

OTHER PUBLICATIONS

Zbraně a náboje (Weapons and Ammunitions), Czech Republic, No. 7/2010 issued in Jul. 2010., cover page and three additional pages (one printed page showing two magazine pages) (4 pages).

Military & Law Enforcement Products page from the Heckler & Koch USA website, printed Jul. 20, 2011 (8 pages).

HK MP5, www.mg-42.net/MP5.htm, some photographs copyright 2009, printed Jul. 20, 2011 (4 pages).

* cited by examiner

Primary Examiner — Michael A Pratt

(74) *Attorney, Agent, or Firm* — Hovey Williams LLP

(57) **CLAIM**

The ornamental design for a firearm, replica firearm, or toy firearm, as shown and described.

DESCRIPTION

FIG. 1 is a front, top, left isometric view of my design for a firearm, replica firearm or toy firearm;

FIG. 2 is a front, bottom, left isometric view thereof;

FIG. 3 is a rear, top, left isometric view thereof;

FIG. 4 is a rear, bottom, left isometric view thereof;

FIG. 5 is a left side elevational view thereof;

FIG. 6 is a right side elevational view thereof;

FIG. 7 is a front elevational view thereof;

FIG. 8 is a rear elevational view thereof;

FIG. 9 is a top plan view thereof; and

FIG. 10 is a bottom view thereof.

FIG. 11 is a front, top, left isometric view of an alternate embodiment of my design for a firearm, replica firearm or toy firearm, the only difference from the first embodiment is that the magazine is shown in solid lines, and all other surfaces are the same as those of the first embodiment;

FIG. 12 is a front, bottom, left isometric view thereof;

FIG. 13 is a rear, top, left isometric view thereof;

FIG. 14 is a rear, bottom, left isometric view thereof;

FIG. 15 is a left side elevational view thereof;

FIG. 16 is a right side elevational view thereof;

FIG. 17 is a front elevational view thereof;

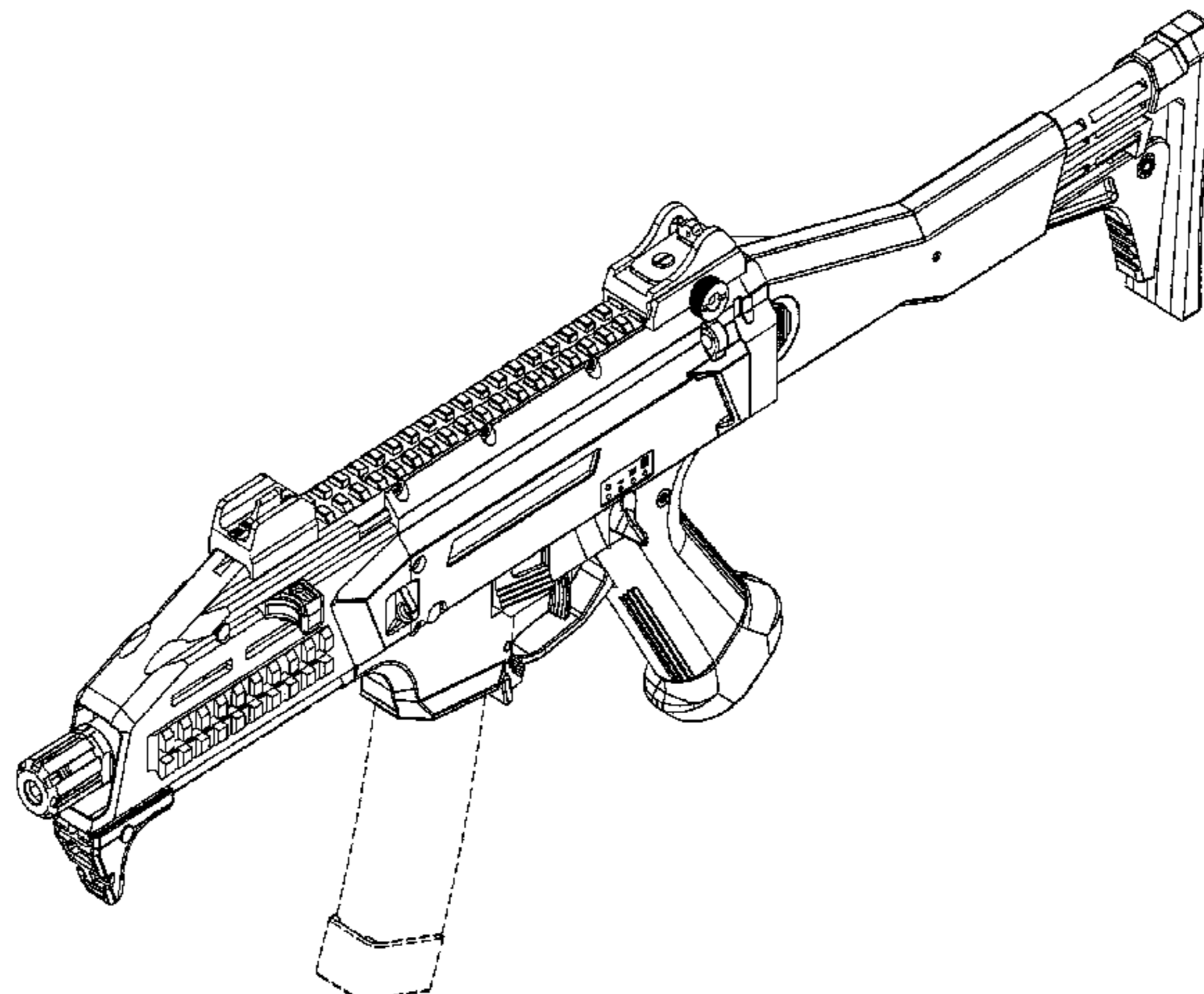
FIG. 18 is a rear elevational view thereof;

FIG. 19 is a top plan view thereof; and,

FIG. 20 is a bottom view thereof.

The broken line showing of the magazine of the firearm, replica firearm or toy firearm shown in FIGS. 1-10 is for environmental purposes only. The broken lines in FIGS. 6 and 16 are included for the purposes of illustrating a portion of the firearm, replica firearm or toy firearm that forms no part of the claimed design.

1 Claim, 16 Drawing Sheets



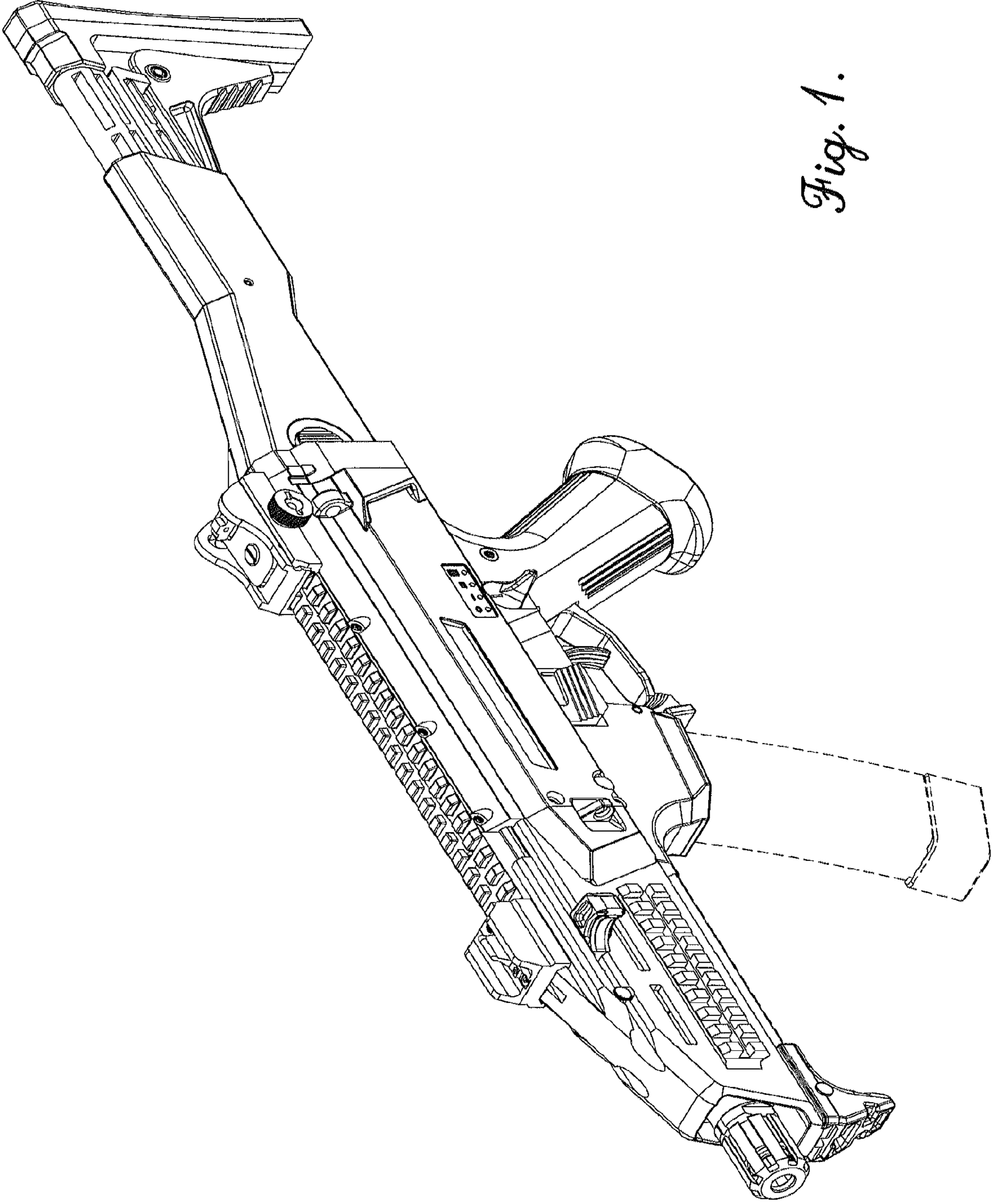


Fig. 1.

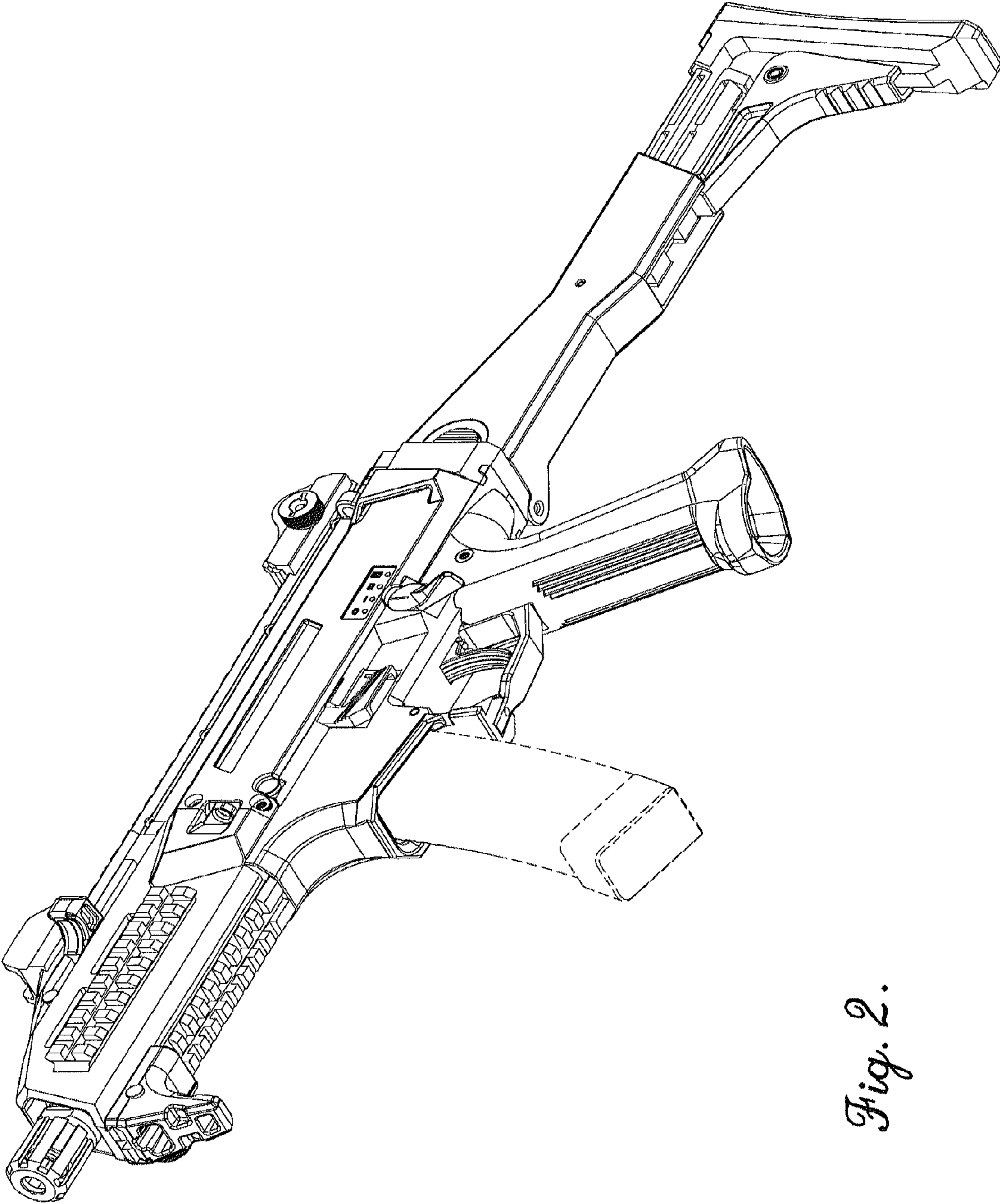


Fig. 2.

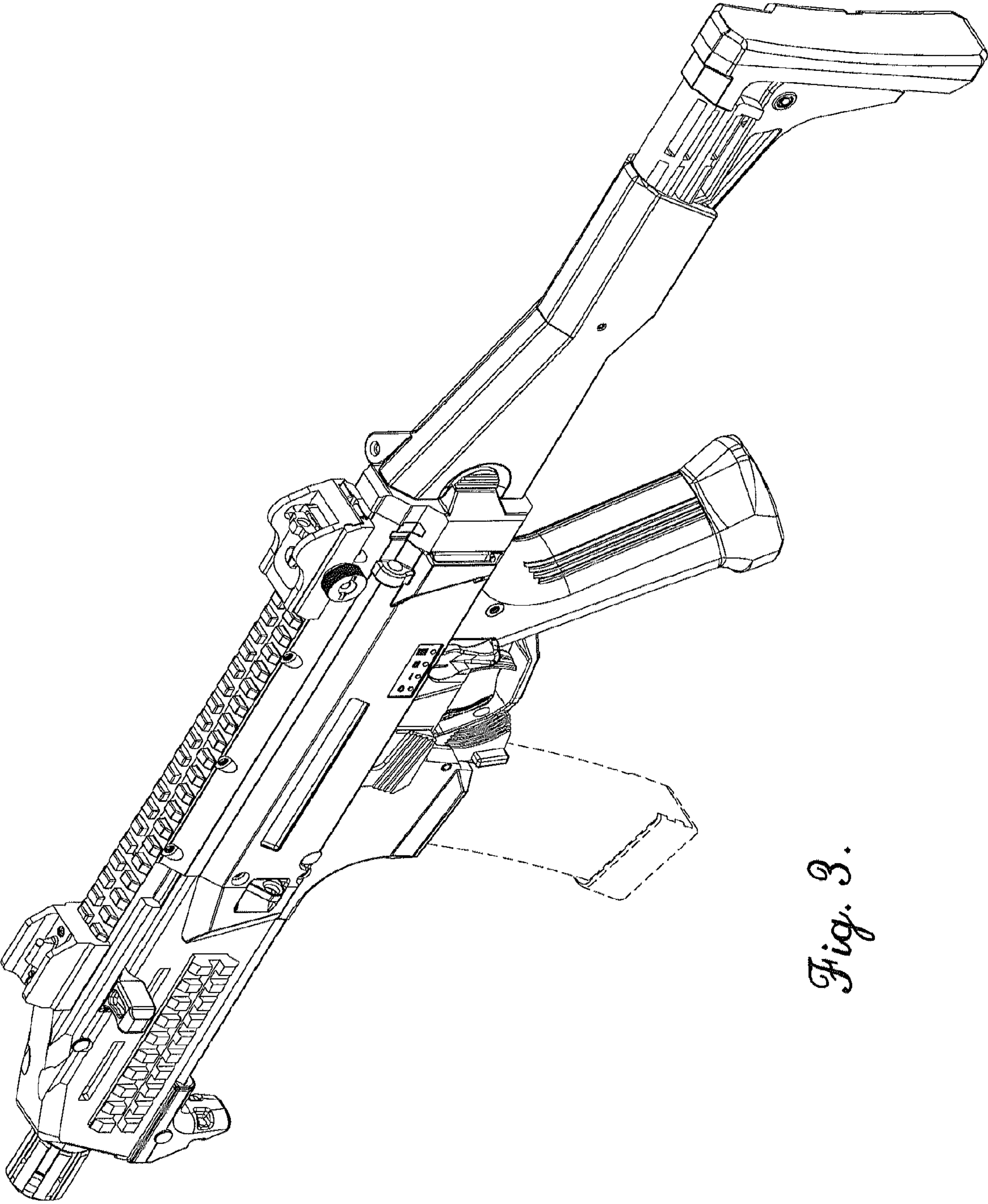


Fig. 3.

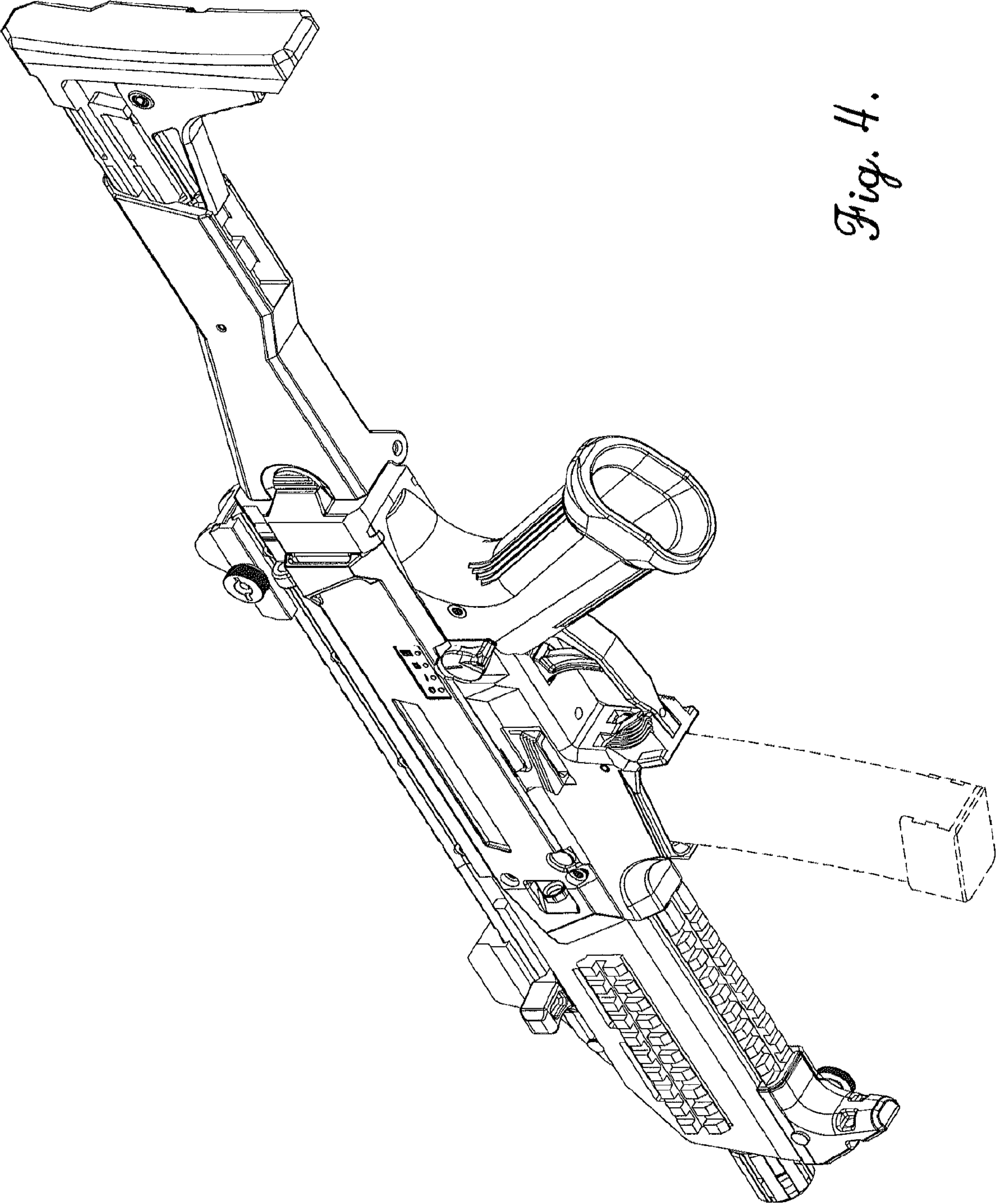


Fig. 4.

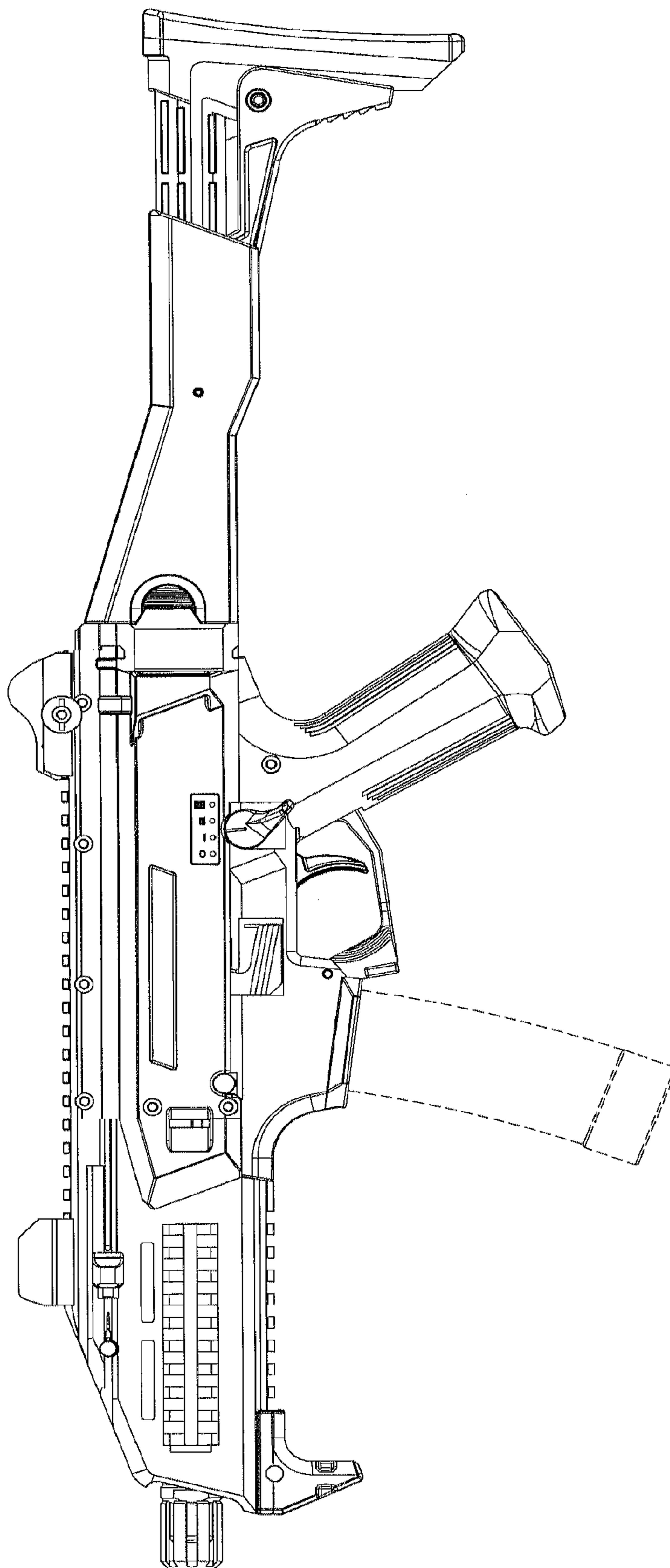


Fig. 5.

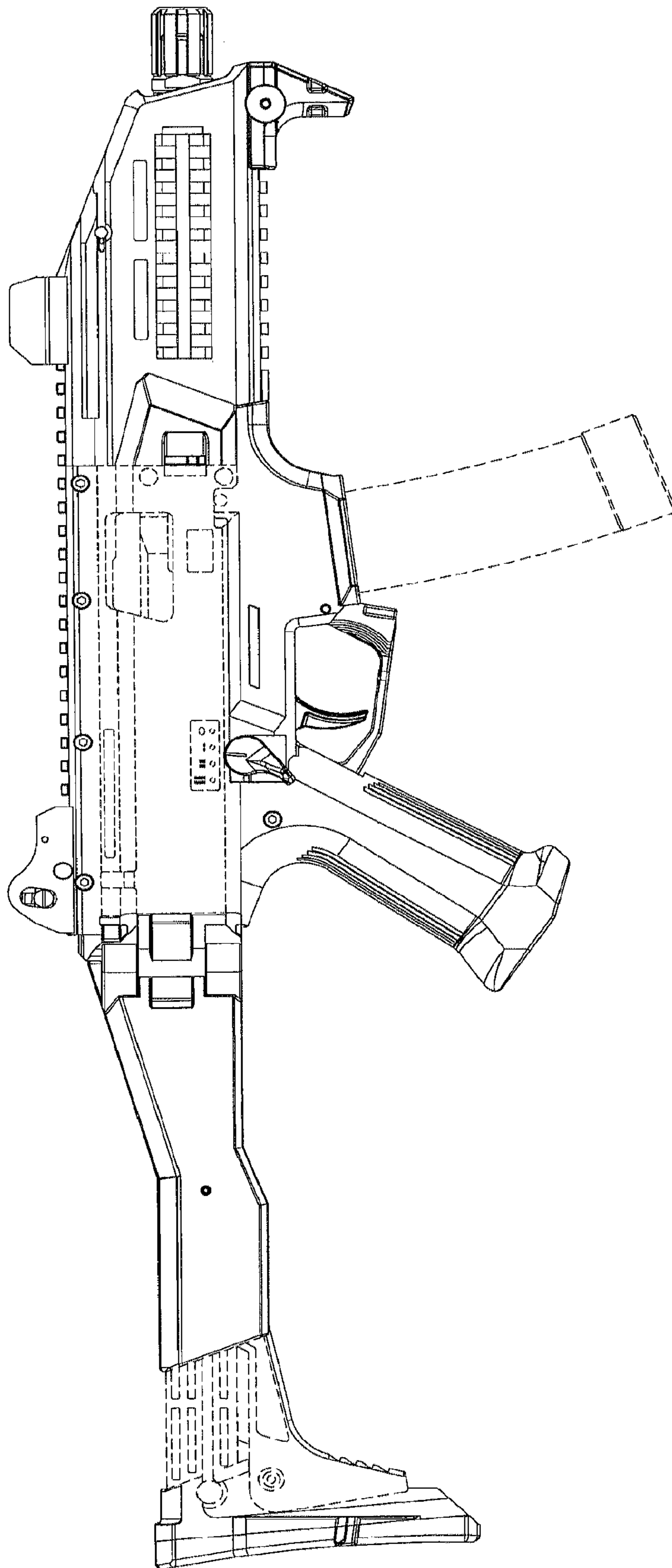


Fig. 6.

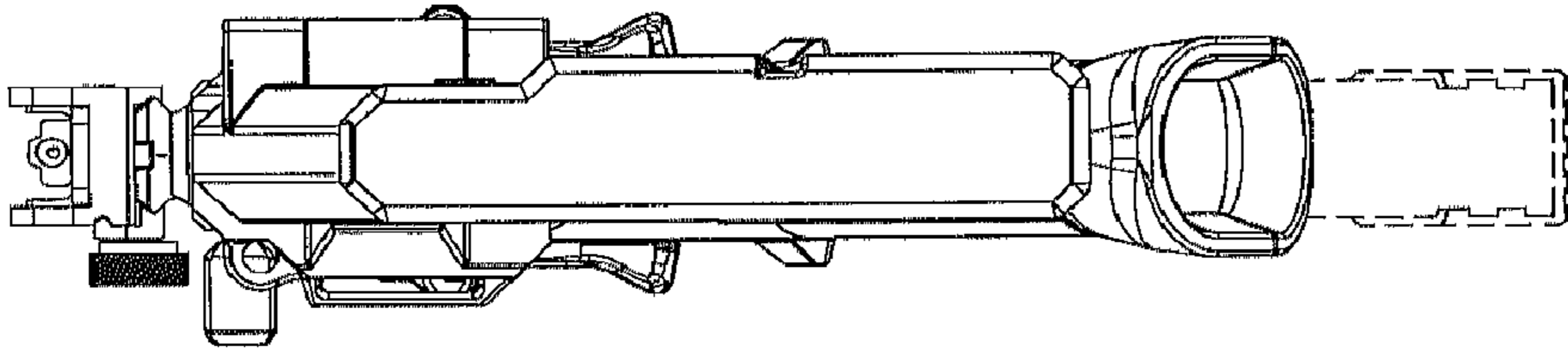


Fig. 8.

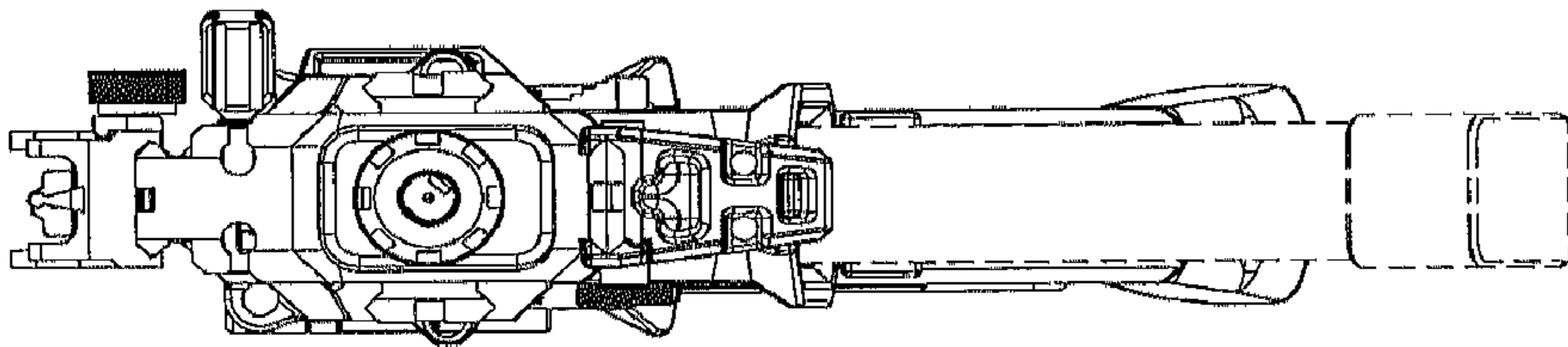


Fig. 7.

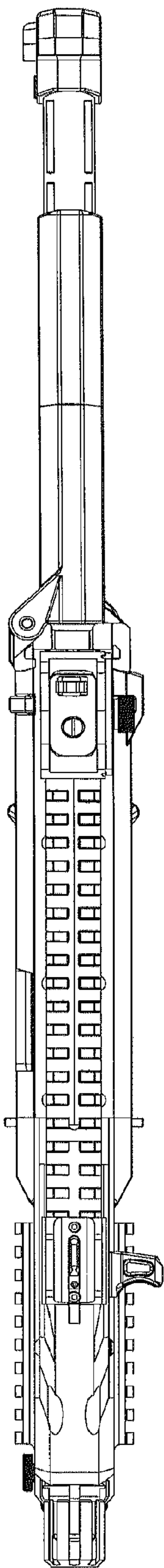


Fig. 9.

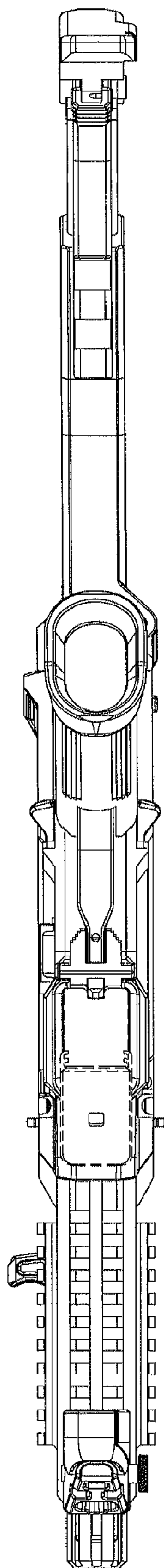


Fig. 10.

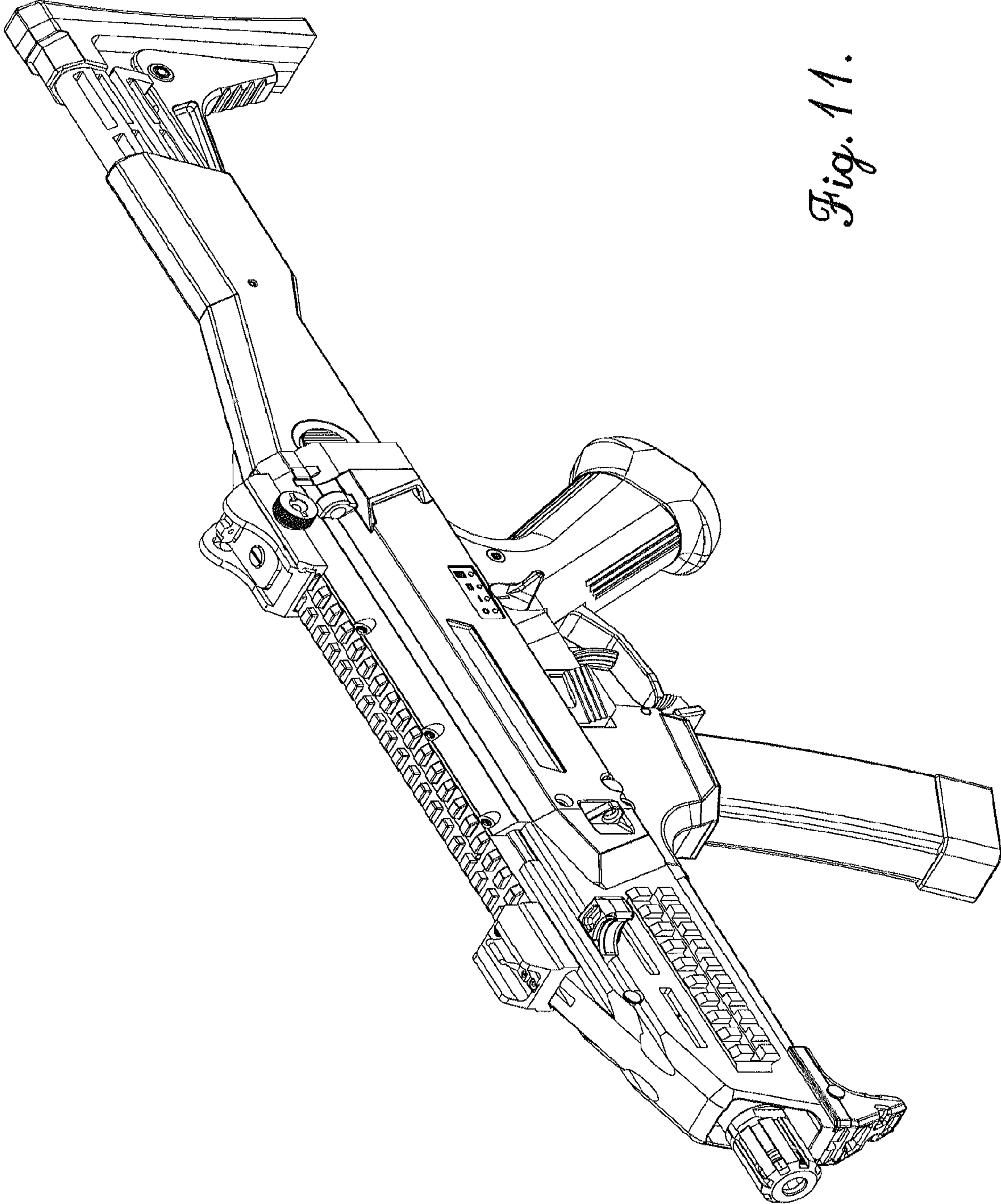


Fig. 11.

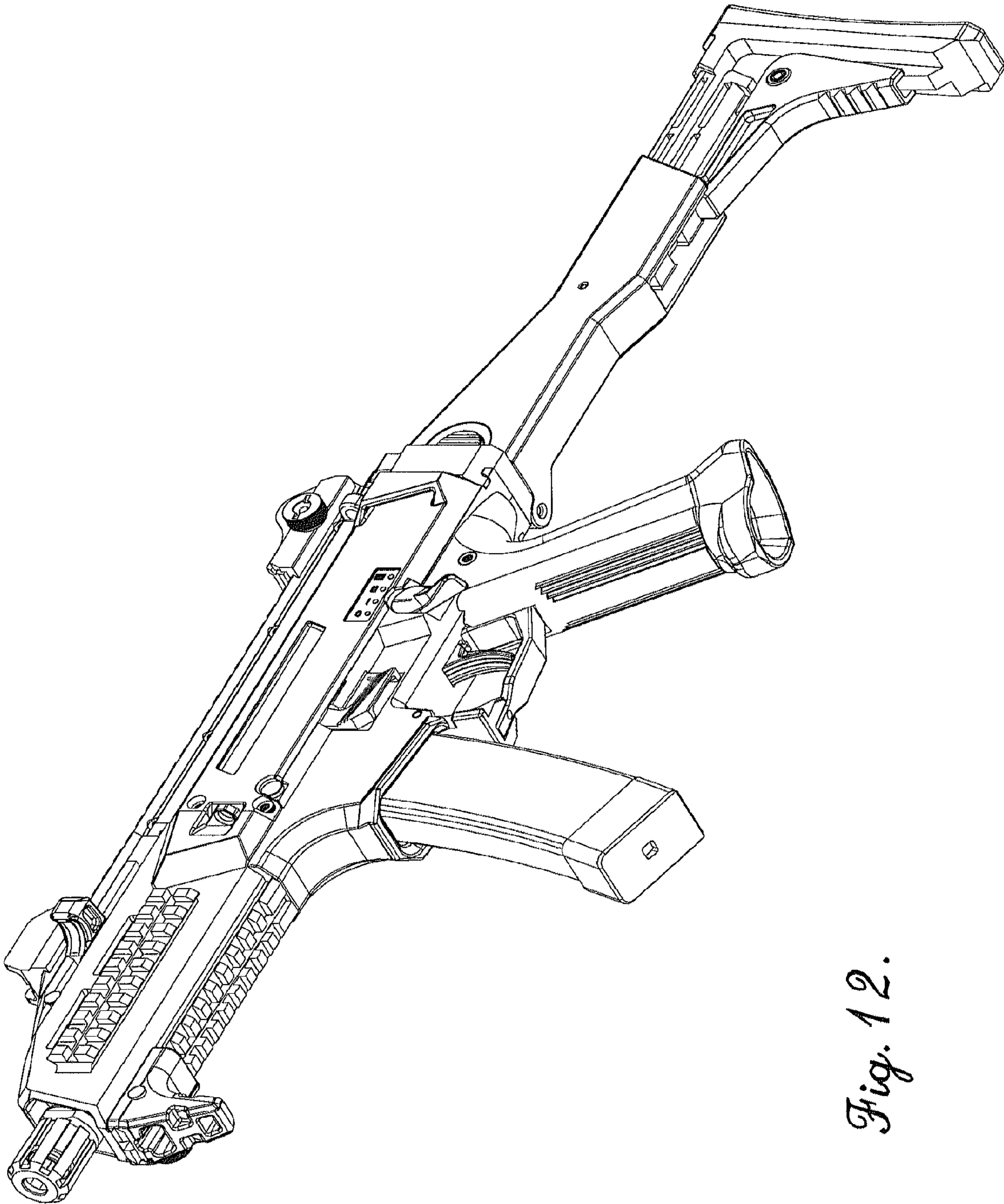


Fig. 12.

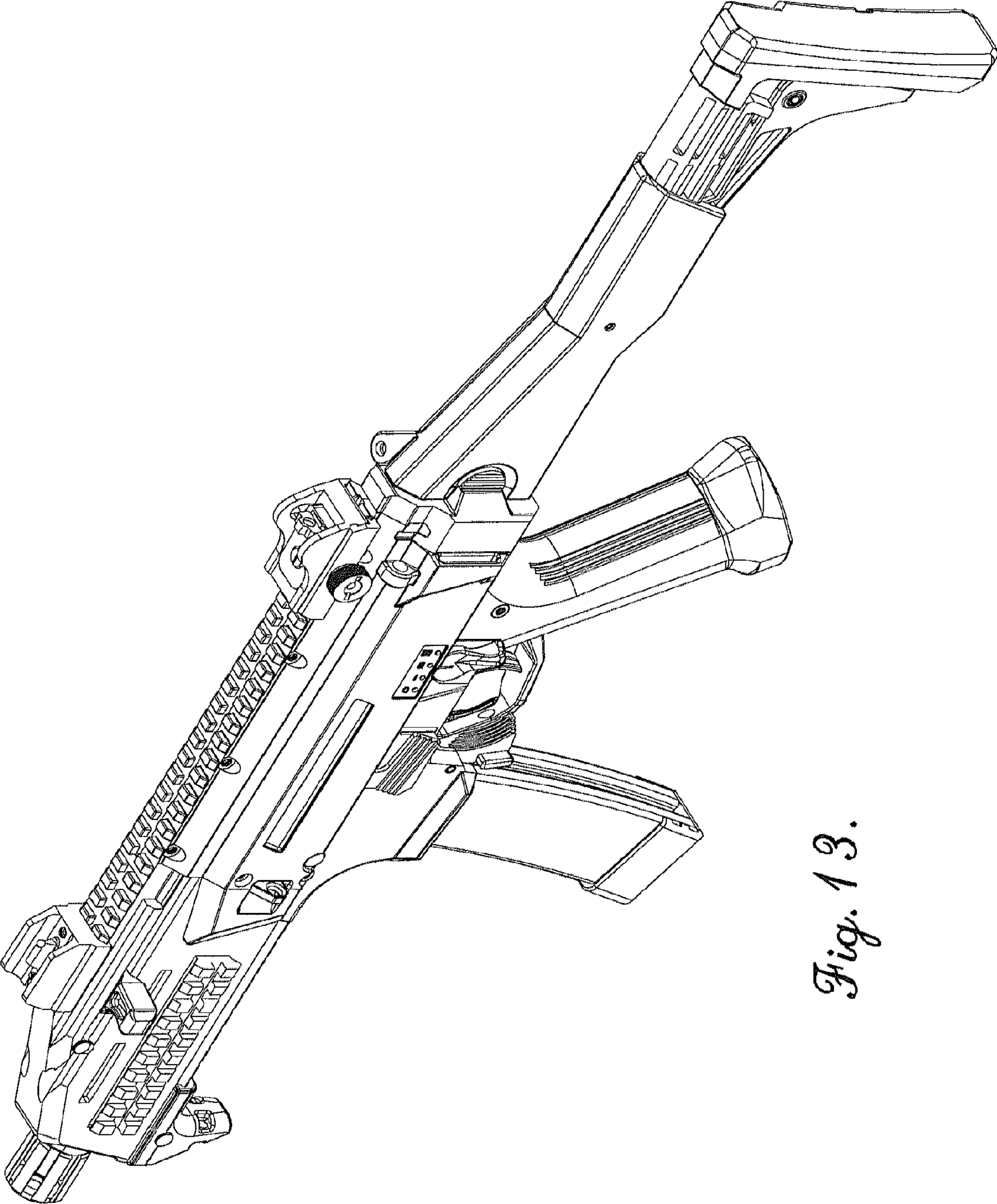


Fig. 13.

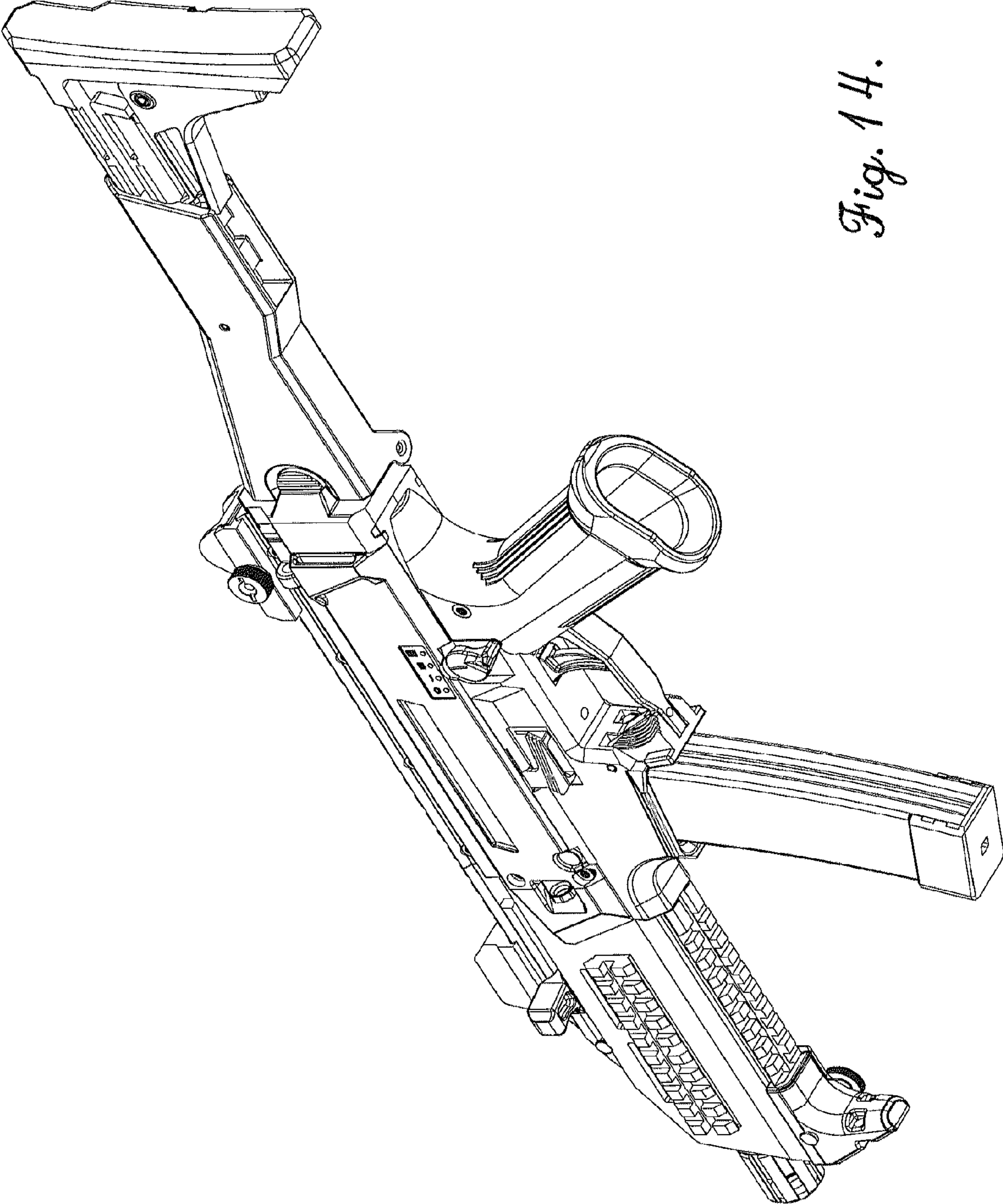


Fig. 14.

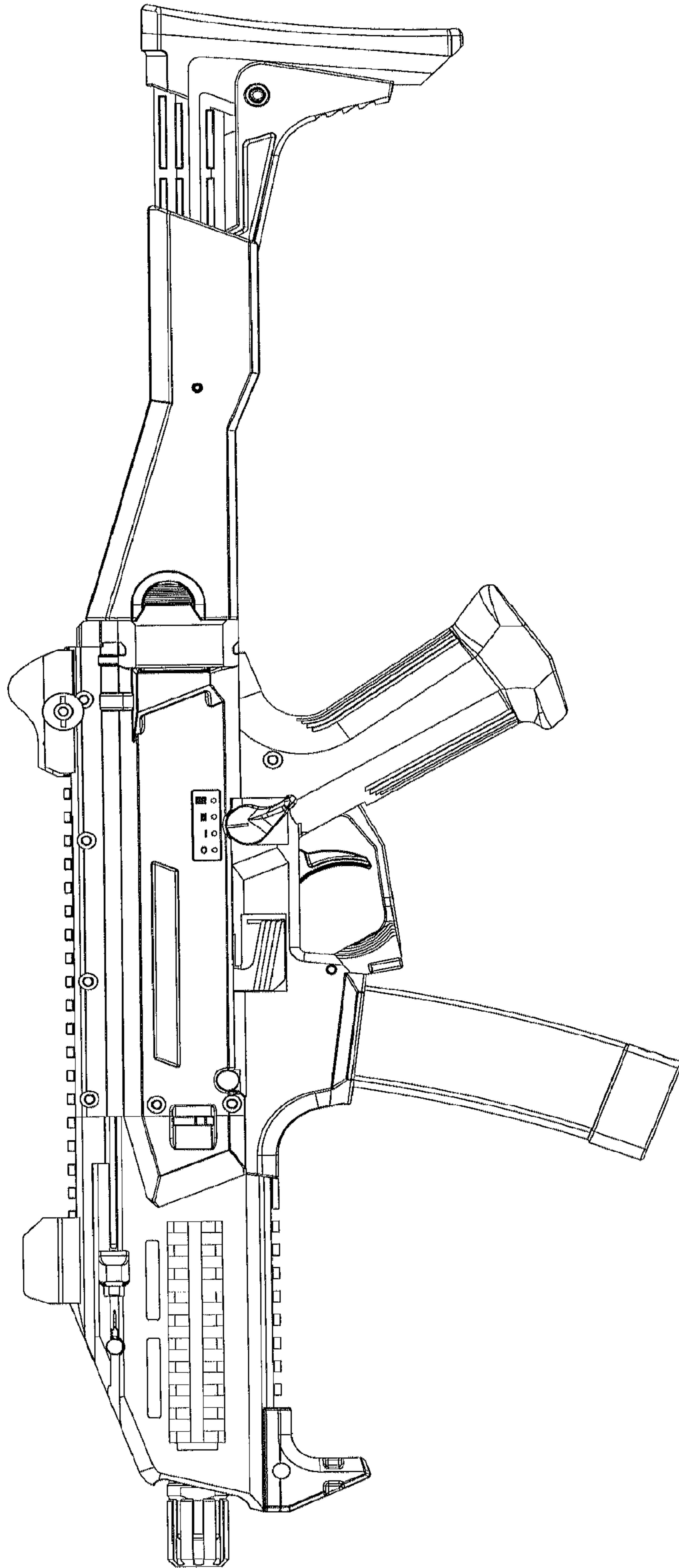


Fig. 15.

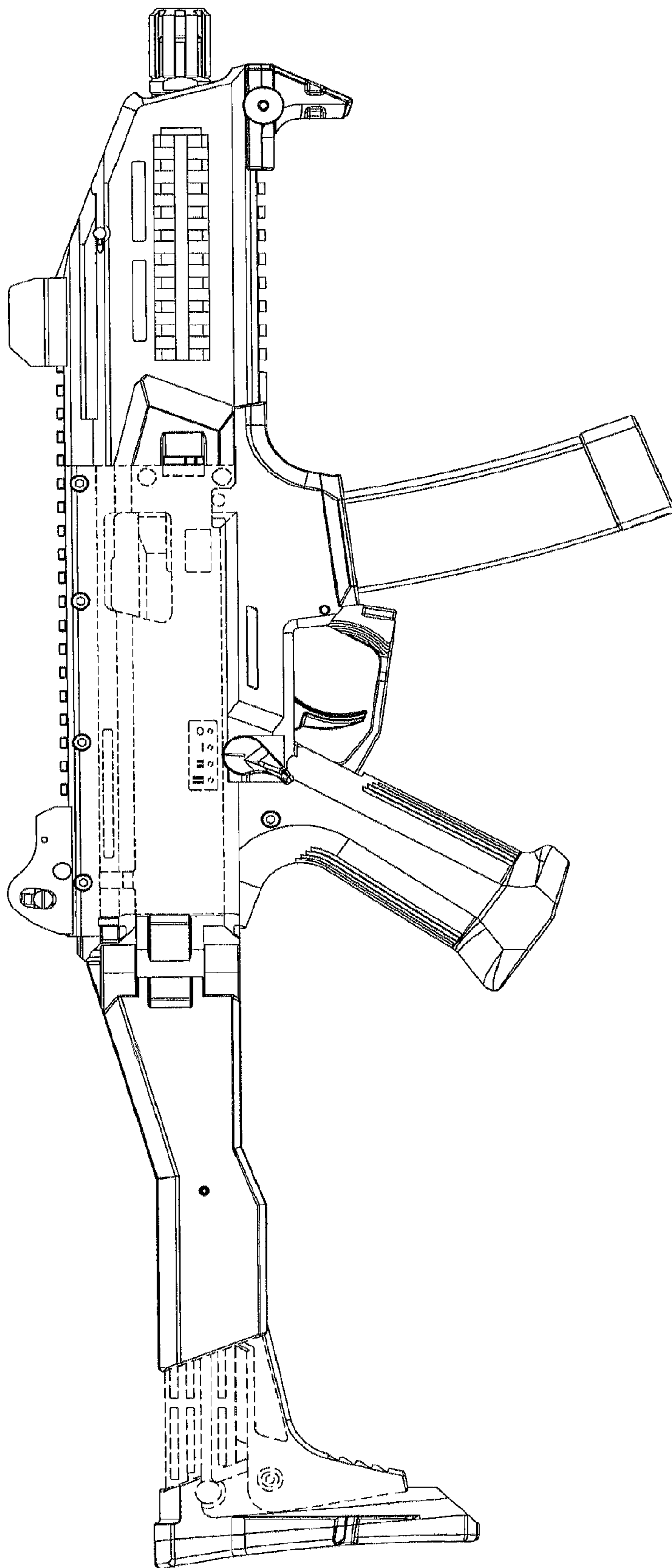


Fig. 16.

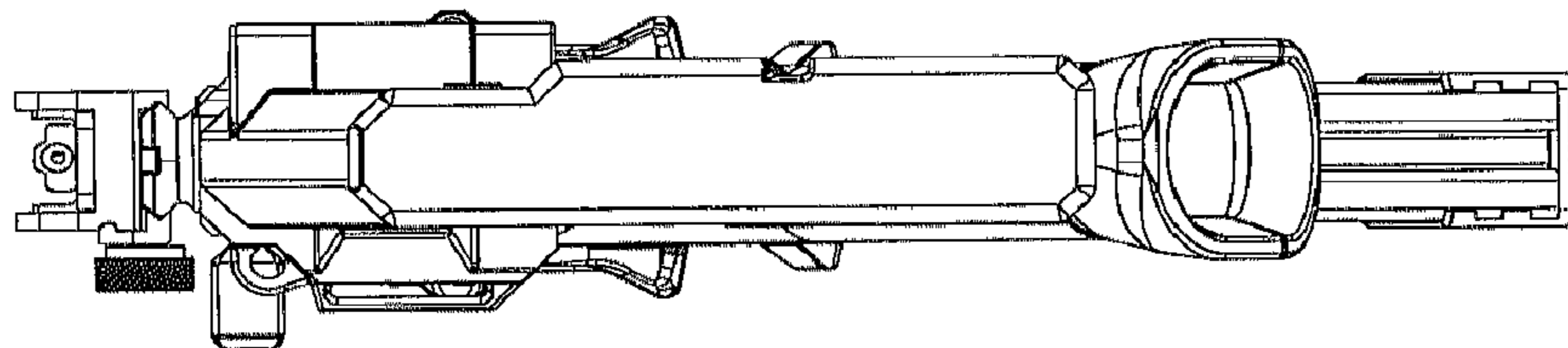


Fig. 18.

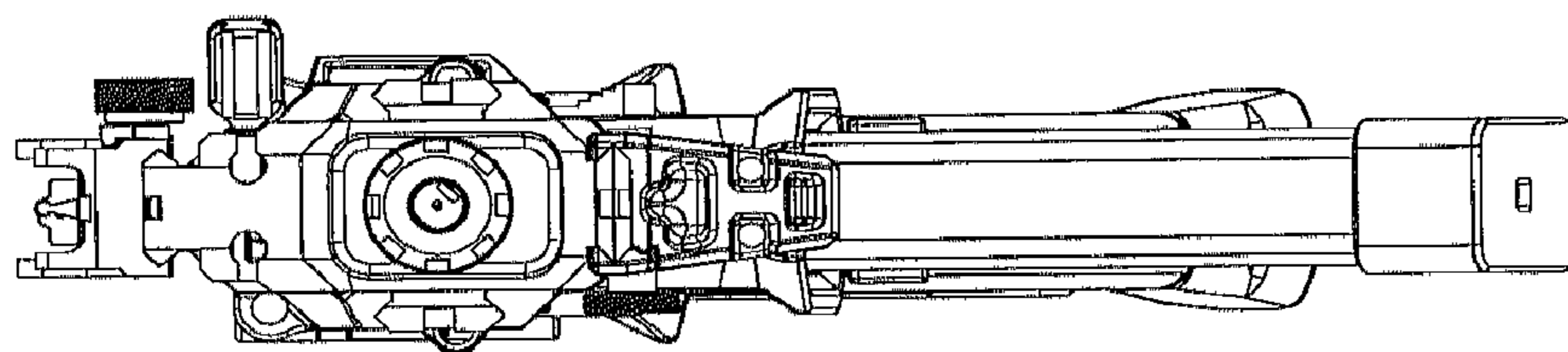


Fig. 17.

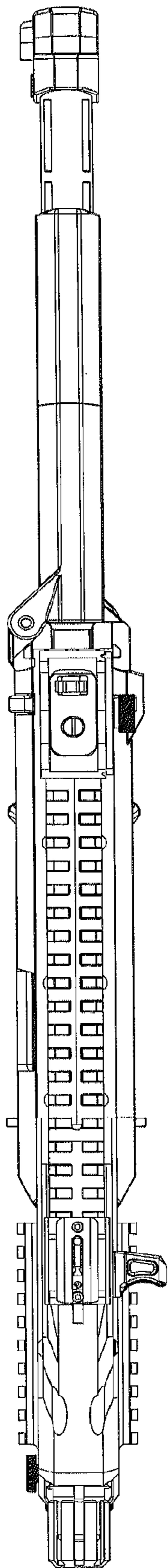


Fig. 19.

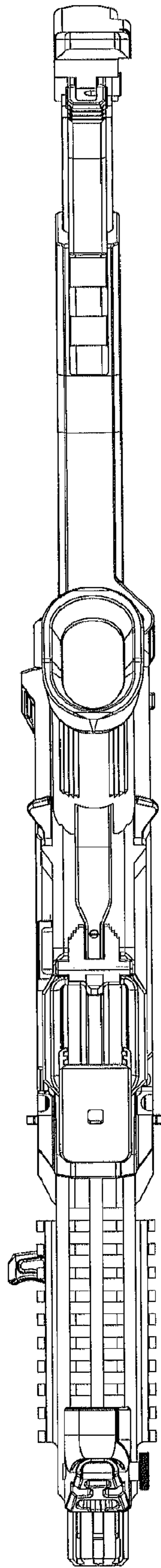


Fig. 20.