



US00D671179S

(12) **United States Design Patent**
Chang

(10) **Patent No.:** **US D671,179 S**
(45) **Date of Patent:** **** Nov. 20, 2012**

- (54) **THIGH EXERCISE DEVICE**
- (75) Inventor: **Ming-Chi Chang**, Taichung (TW)
- (73) Assignee: **Yung-Chi Chiu**, Taichung (TW)
- (**) Term: **14 Years**
- (21) Appl. No.: **29/407,785**
- (22) Filed: **Dec. 2, 2011**
- (51) **LOC (9) Cl.** **21-02**
- (52) **U.S. Cl.** **D21/692; D21/684**
- (58) **Field of Classification Search** D21/662,
D21/679, 684, 692-694; 482/8, 44, 49, 82,
482/111, 112, 114, 118, 119, 121, 122, 124,
482/126, 127, 128, 139, 141; D8/61, 303;
D12/179

See application file for complete search history.

(56) **References Cited**

U.S. PATENT DOCUMENTS

2,806,699	A *	9/1957	Spooner	482/126
4,022,463	A *	5/1977	Scott, Jr.	482/122
4,465,276	A *	8/1984	Cox	482/126
4,483,533	A *	11/1984	Mangiapane	482/122
D322,827	S *	12/1991	Bennstrom et al.	D21/684
D338,247	S *	8/1993	Koblick	D21/692
D341,401	S *	11/1993	Reichman	D21/692
D343,882	S *	2/1994	Bennstrom et al.	D21/692
5,399,138	A *	3/1995	Jones	482/127
5,507,712	A *	4/1996	Chang	482/126
5,674,164	A *	10/1997	Kravitz	482/126

D446,832	S *	8/2001	Chen	D21/692
D456,471	S *	4/2002	Rankin	D21/693
D505,169	S *	5/2005	Kuo	D21/684
7,008,354	B2 *	3/2006	Wen	482/127
D521,086	S *	5/2006	Faulconer	D21/684
7,267,641	B2 *	9/2007	Hsieh	482/111
D626,188	S *	10/2010	Bisson	D21/684
7,828,704	B1 *	11/2010	Hsieh et al.	482/126
D654,126	S *	2/2012	Eckermann	D21/692
D655,355	S *	3/2012	Hsu	D21/679
8,167,780	B2 *	5/2012	Allen	482/126

* cited by examiner

Primary Examiner — Susan E Krakower

(74) *Attorney, Agent, or Firm* — CKC & Partners Co., Ltd.

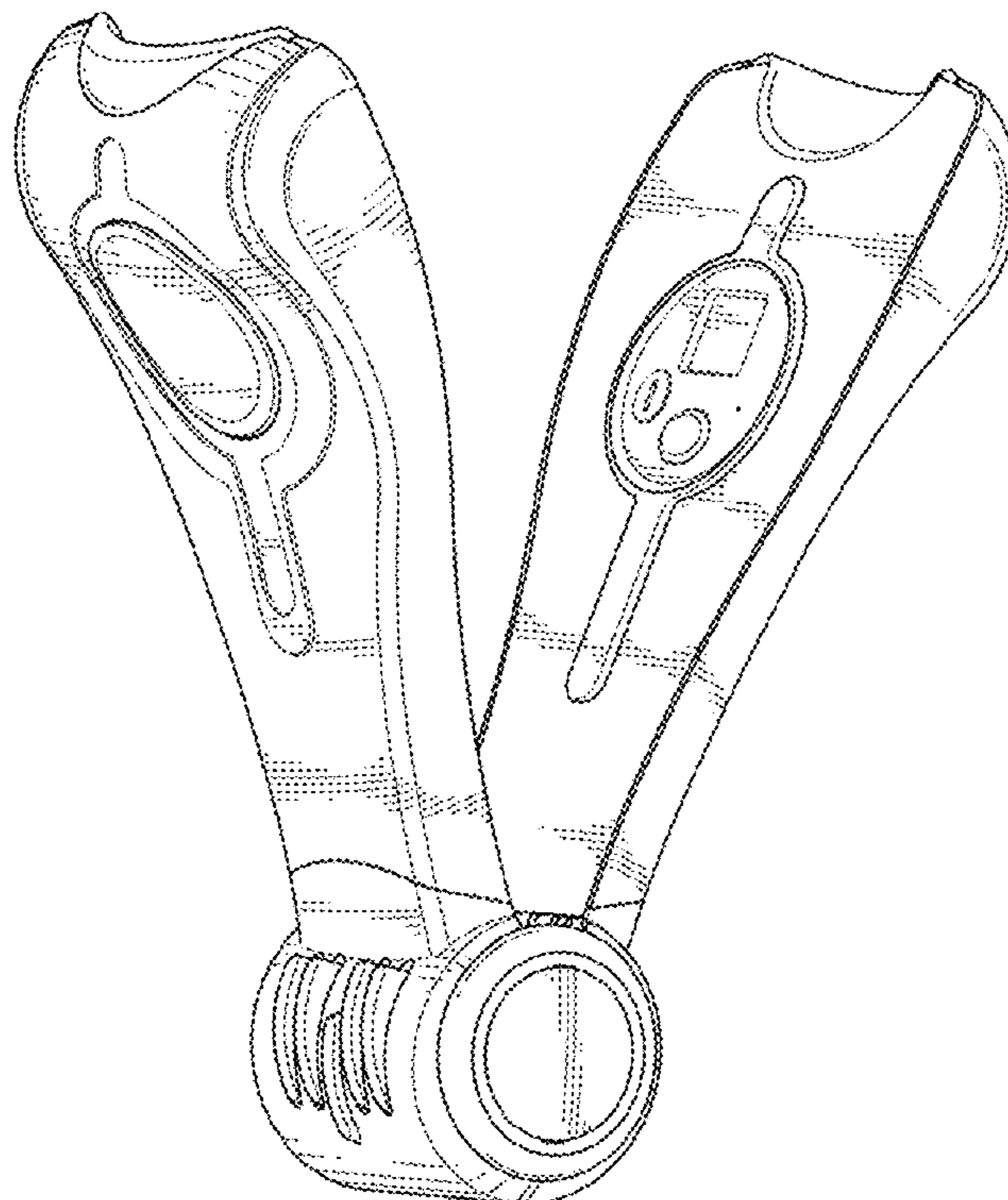
(57) **CLAIM**

The ornamental design for a thigh exercise device, as shown.

DESCRIPTION

FIG. 1 is a perspective view of a thigh exercise device showing my new design;
 FIG. 2 is an opposite perspective view thereof;
 FIG. 3 is a front view thereof;
 FIG. 4 is a rear view thereof;
 FIG. 5 is a left side view thereof;
 FIG. 6 is a right side view thereof;
 FIG. 7 is a top view thereof; and,
 FIG. 8 is a bottom view thereof.
 The broken lines illustrate portions of the thigh exercise device which form no part of the claimed design.

1 Claim, 7 Drawing Sheets



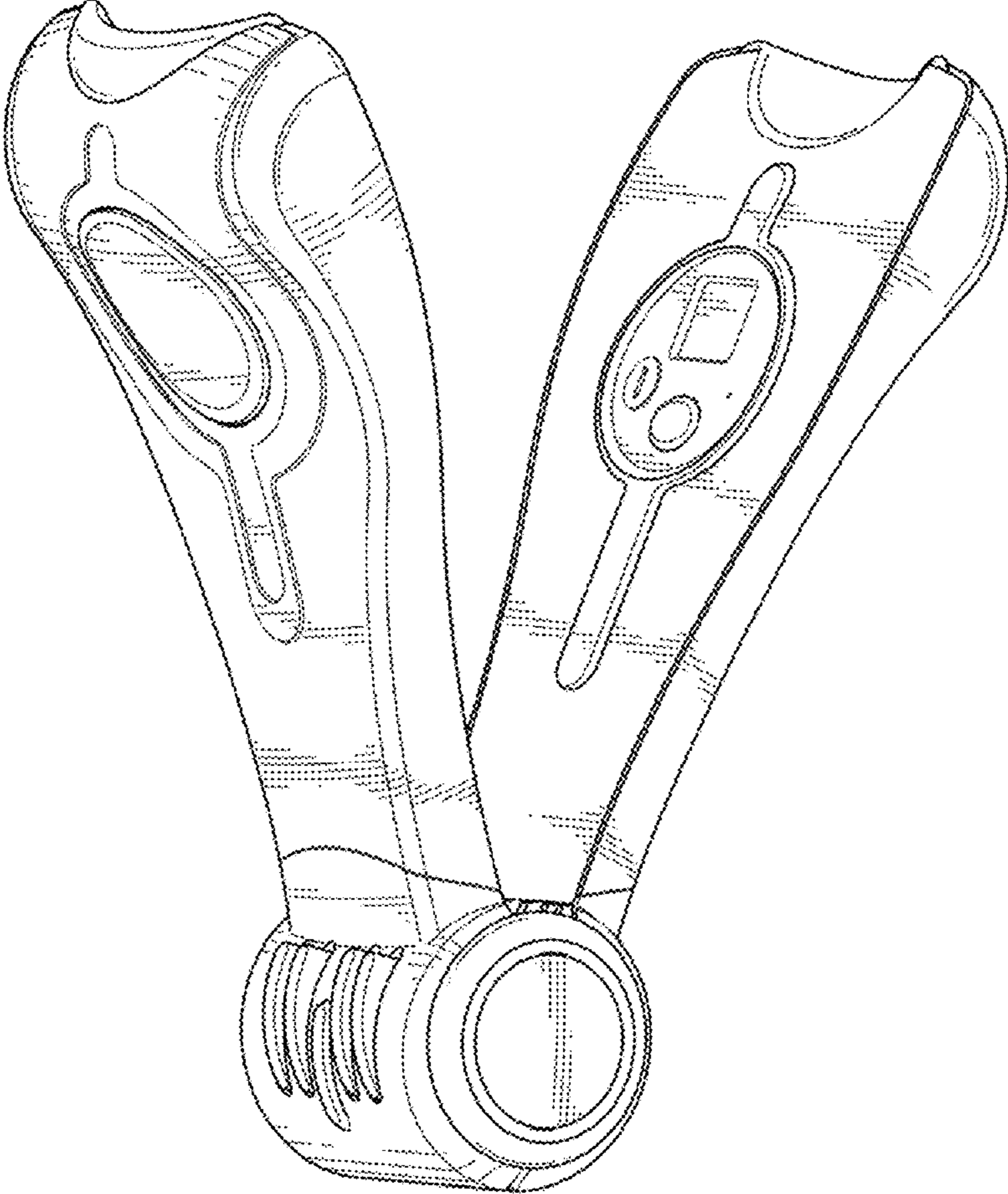


Fig. 1

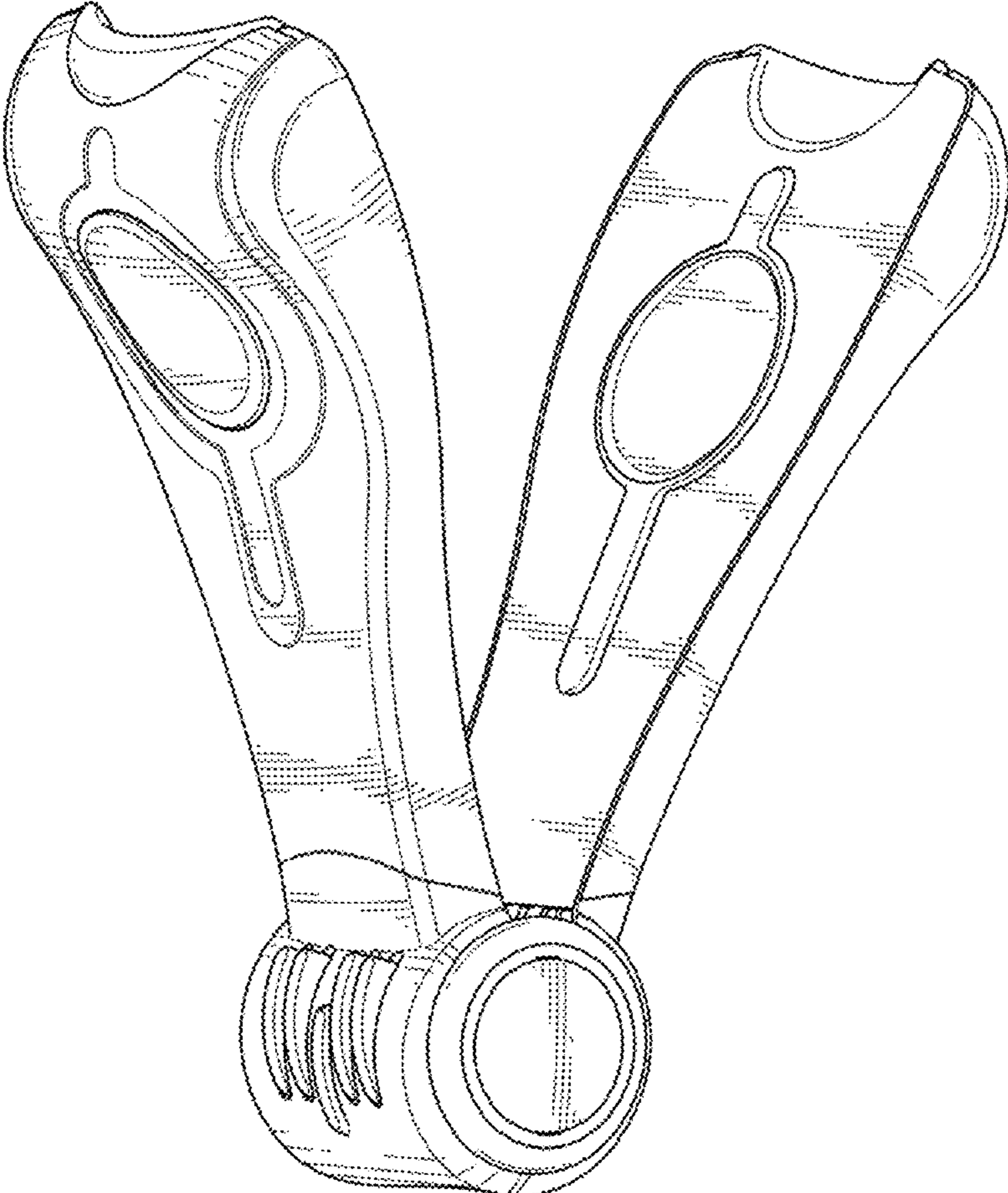


Fig. 2

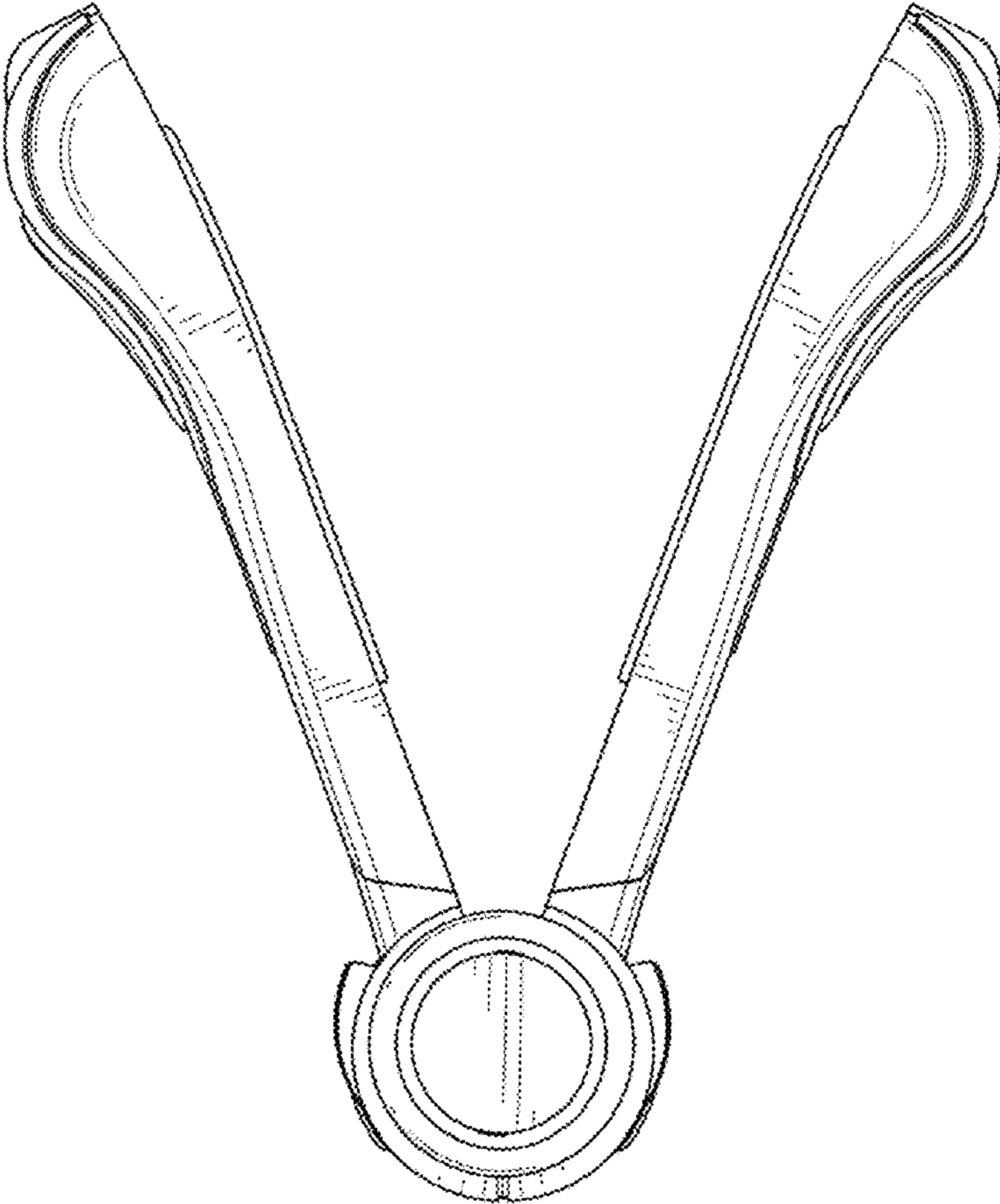


Fig. 3

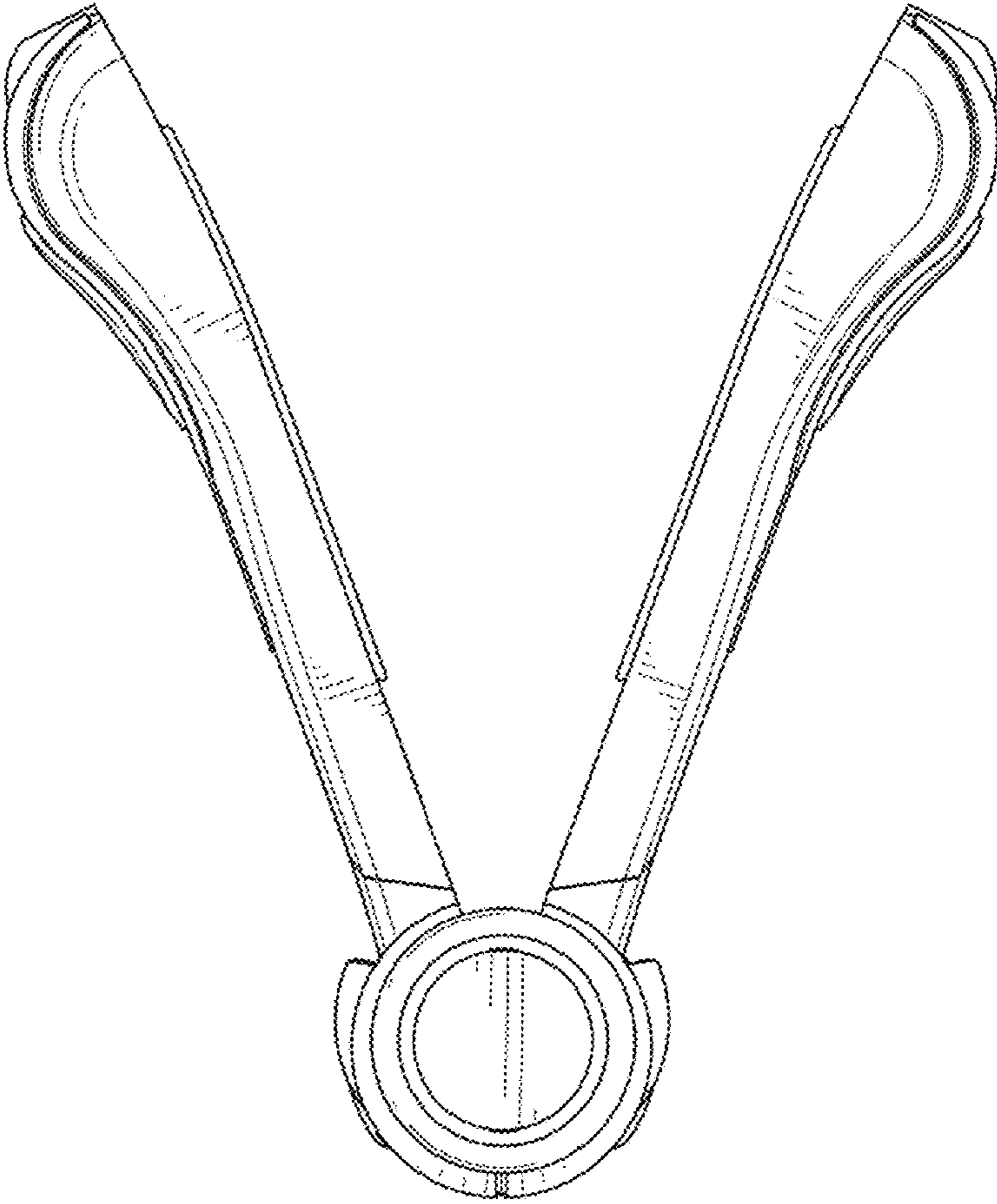


Fig. 4

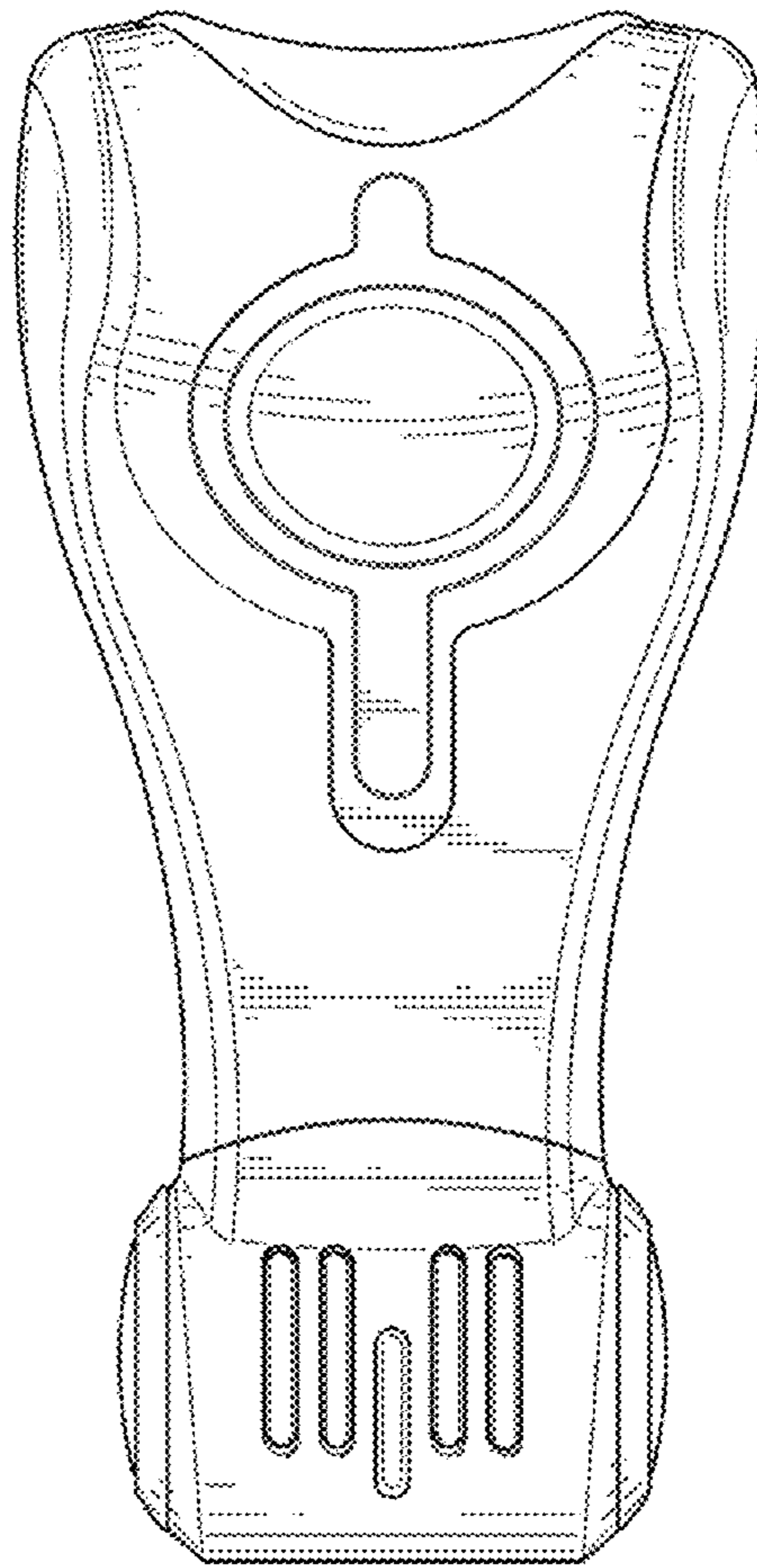


Fig. 5

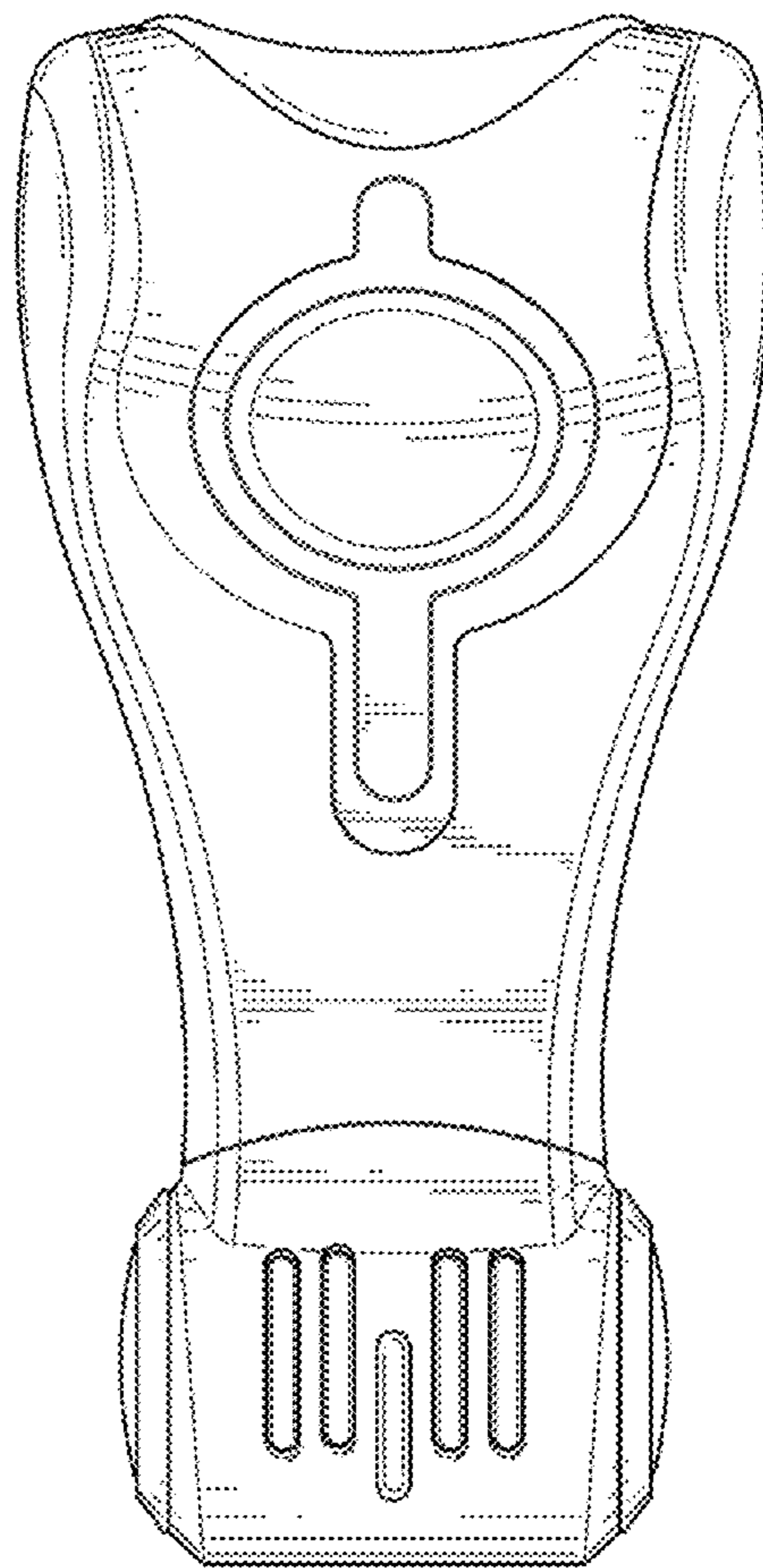


Fig. 6

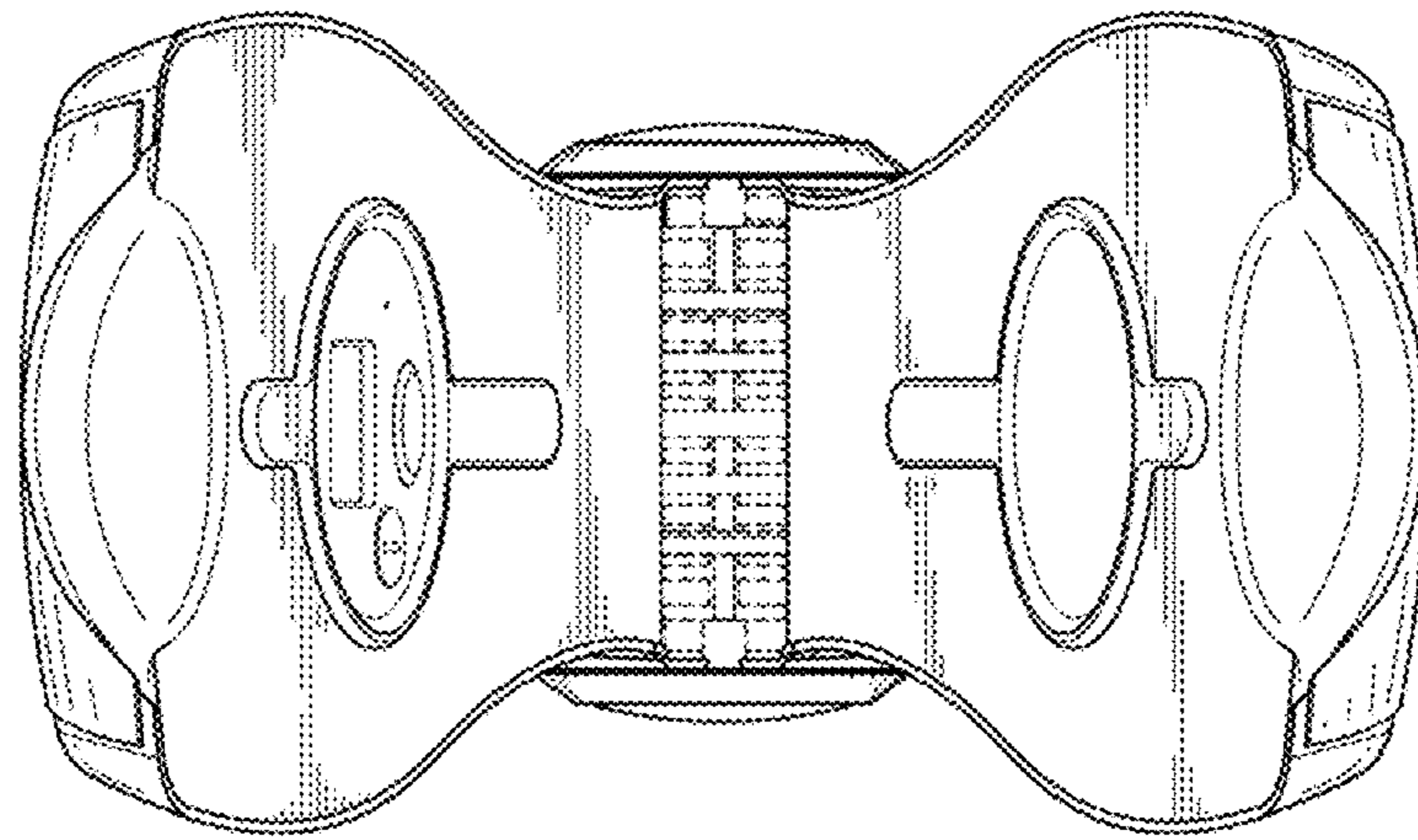


Fig. 7

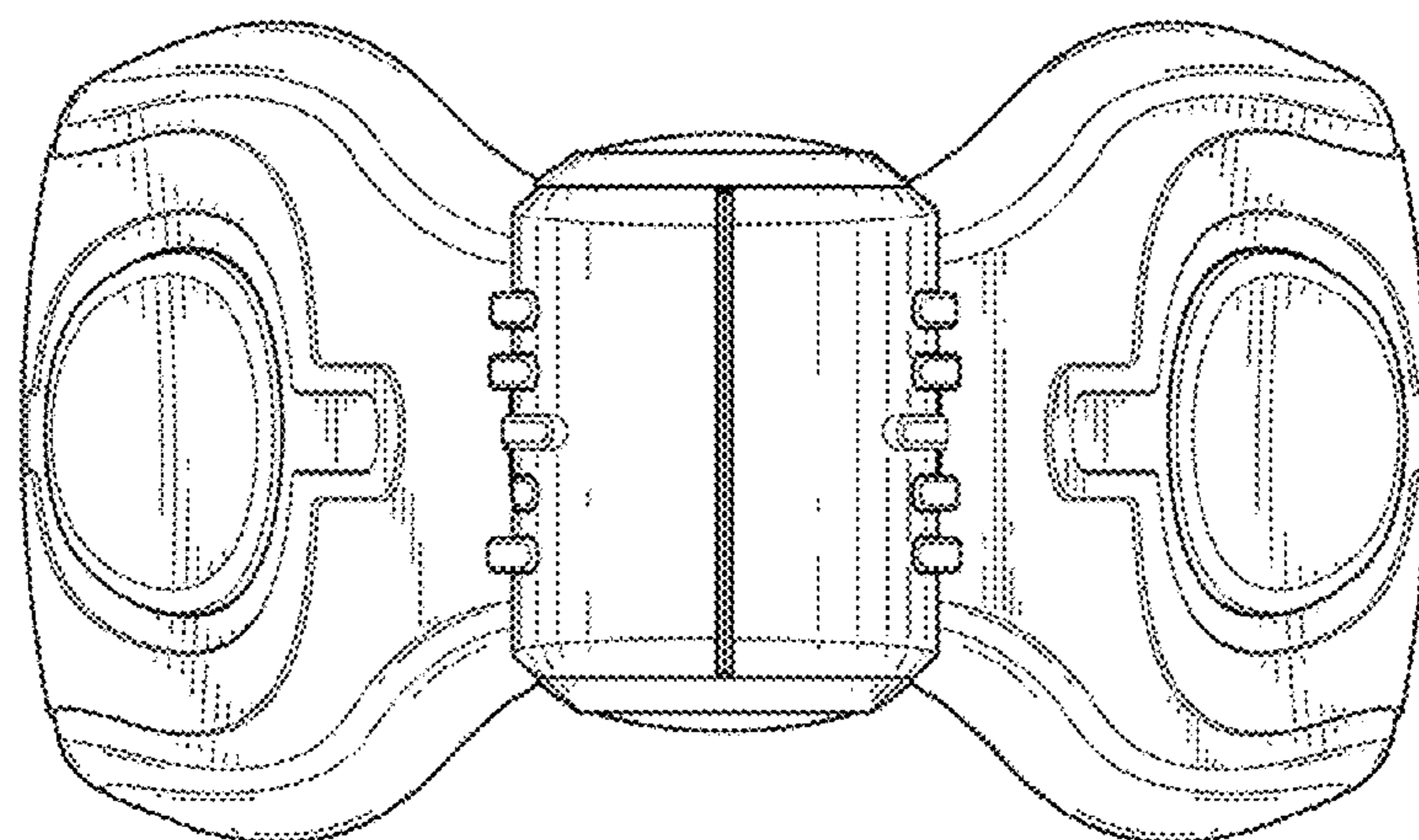


Fig. 8