

US00D671178S

(12) **United States Design Patent**
Sip

(10) **Patent No.:** **US D671,178 S**

(45) **Date of Patent:** **** Nov. 20, 2012**

(54) **STATIC FRAME ABDOMINAL EXERCISE APPARATUS**

(75) Inventor: **Travis Sip**, Plain City, UT (US)

(73) Assignee: **ICON IP, Inc.**, Logan, UT (US)

(**) Term: **14 Years**

(21) Appl. No.: **29/406,343**

(22) Filed: **Nov. 11, 2011**

(51) **LOC (9) Cl.** **21-02**

(52) **U.S. Cl.** **D21/689**

(58) **Field of Classification Search** D21/662,
D21/686, 688, 689, 694, 695; 482/51, 71-72,
482/96, 112, 121, 130-132, 140, 142, 144,
482/146-147; 601/23, 33, 40, 127, 131;
D6/502, 601, 366; 280/281.1, 287
See application file for complete search history.

(56) **References Cited**

U.S. PATENT DOCUMENTS

4,858,918	A *	8/1989	Iams et al.	482/132
5,690,593	A *	11/1997	Huang	482/96
D565,134	S *	3/2008	Brown et al.	D21/694
D567,312	S *	4/2008	Tsai	D21/688
D584,367	S *	1/2009	Augustine et al.	D21/662
7,666,121	B2 *	2/2010	Zhou	482/51
D612,000	S *	3/2010	Campanaro et al.	D21/687

D631,519	S *	1/2011	Chen	D21/689
7,878,957	B1 *	2/2011	Chen	482/140
7,901,329	B2 *	3/2011	Tsai	482/51
D642,639	S *	8/2011	Tsai	D21/689
D643,482	S *	8/2011	Ho et al.	D21/689
8,052,583	B1 *	11/2011	Tsai	482/96
D652,461	S *	1/2012	Brodess et al.	D21/689
D655,357	S *	3/2012	Casey et al.	D21/689
D659,777	S *	5/2012	Watterson et al.	D21/689
2009/0325767	A1 *	12/2009	Zhou	482/51

* cited by examiner

Primary Examiner — Susan E Krakower

(74) *Attorney, Agent, or Firm* — Holland & Hart LLP

(57) **CLAIM**

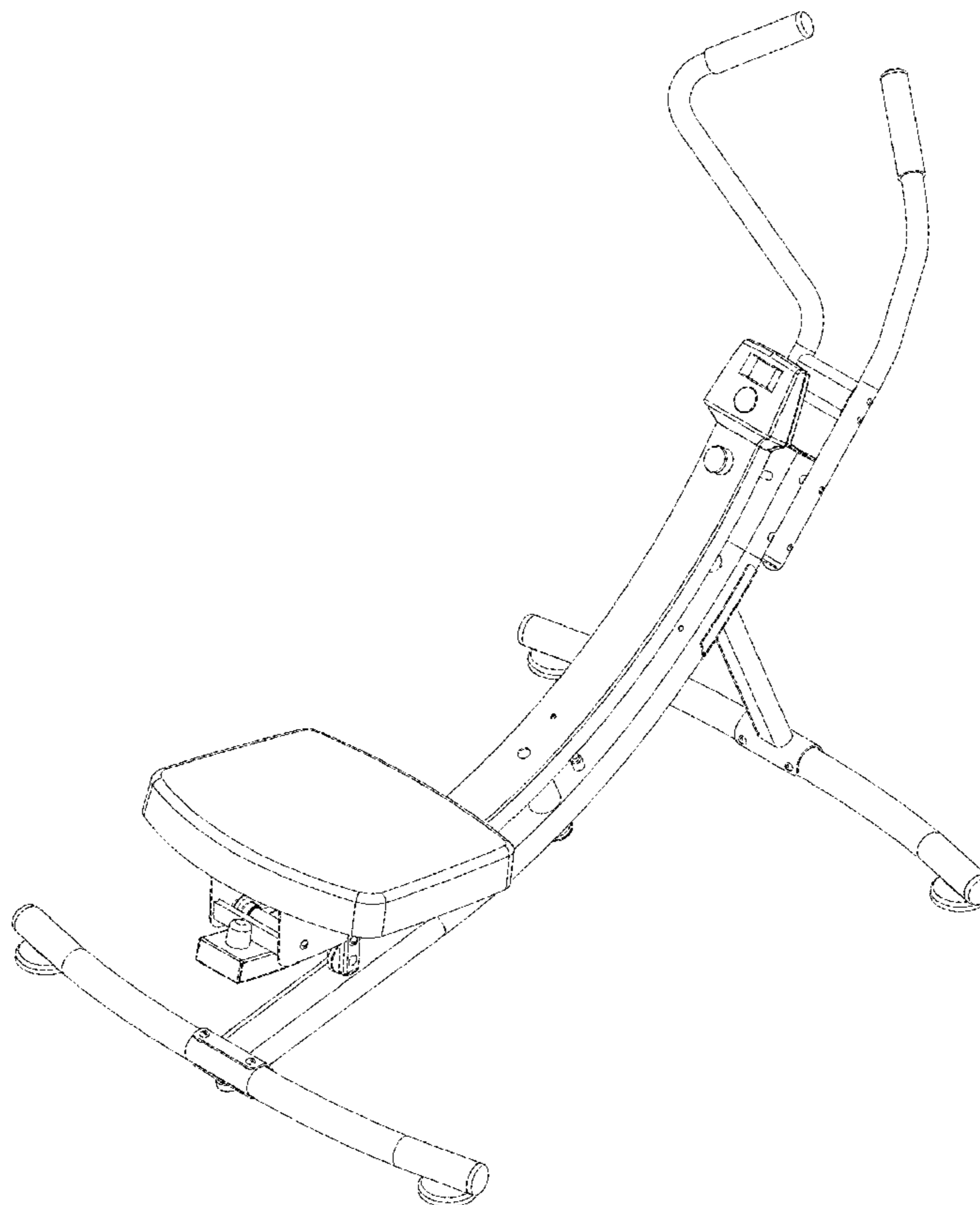
The ornamental design for a static frame abdominal exercise apparatus, as shown and described.

DESCRIPTION

FIG. 1 is an isometric view of a static frame abdominal exercise apparatus according to the present invention; FIG. 2 is a right side elevational view thereof; FIG. 3 is a top plan view thereof; FIG. 4 is a back elevational view thereof; FIG. 5 is a left side elevational view thereof; FIG. 6 is a bottom plan view thereof; and, FIG. 7 is a front elevational view thereof.

The broken lines illustrate portions of the static frame abdominal exercise apparatus which form no part of the claimed design.

1 Claim, 7 Drawing Sheets



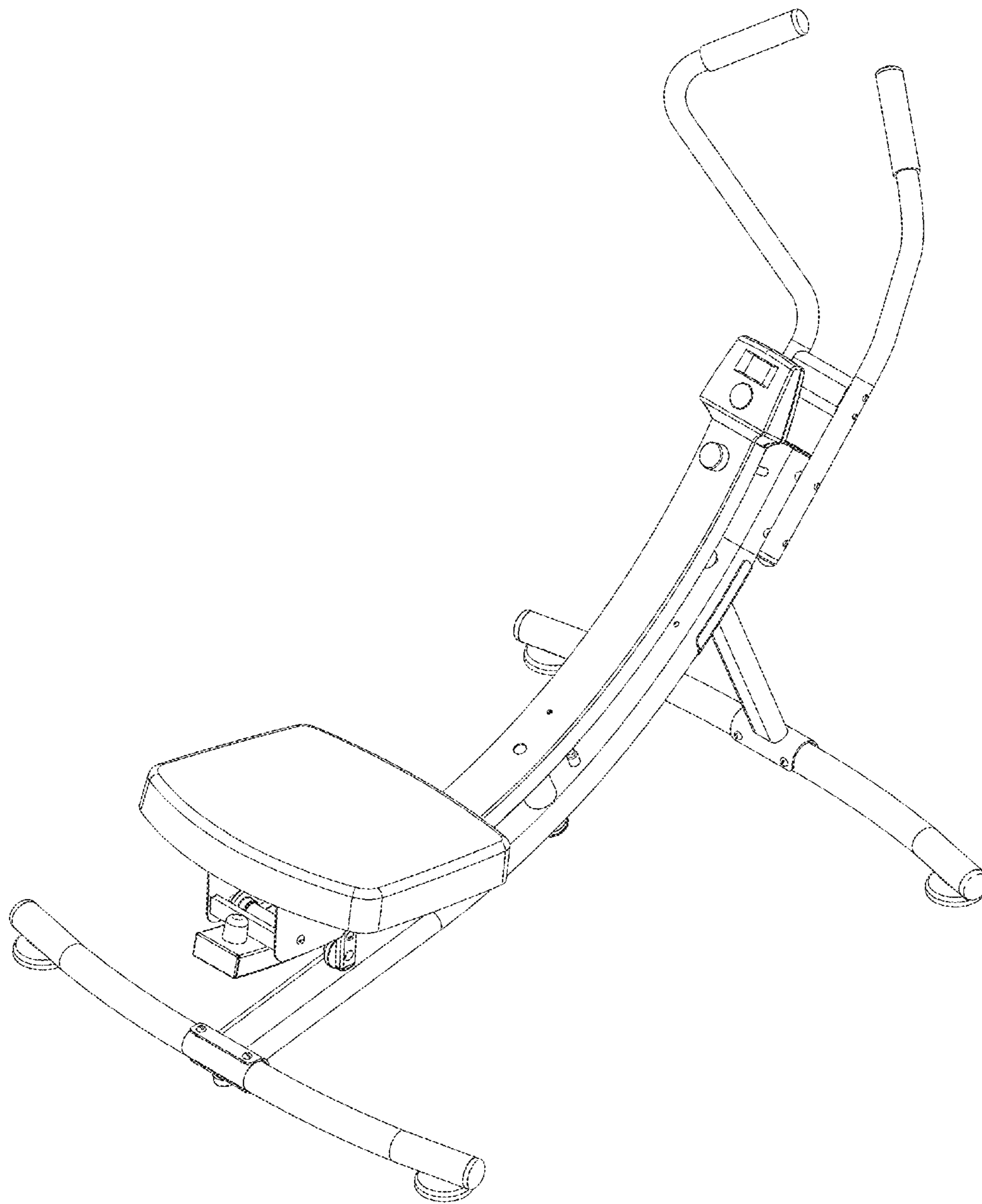


FIG. 1

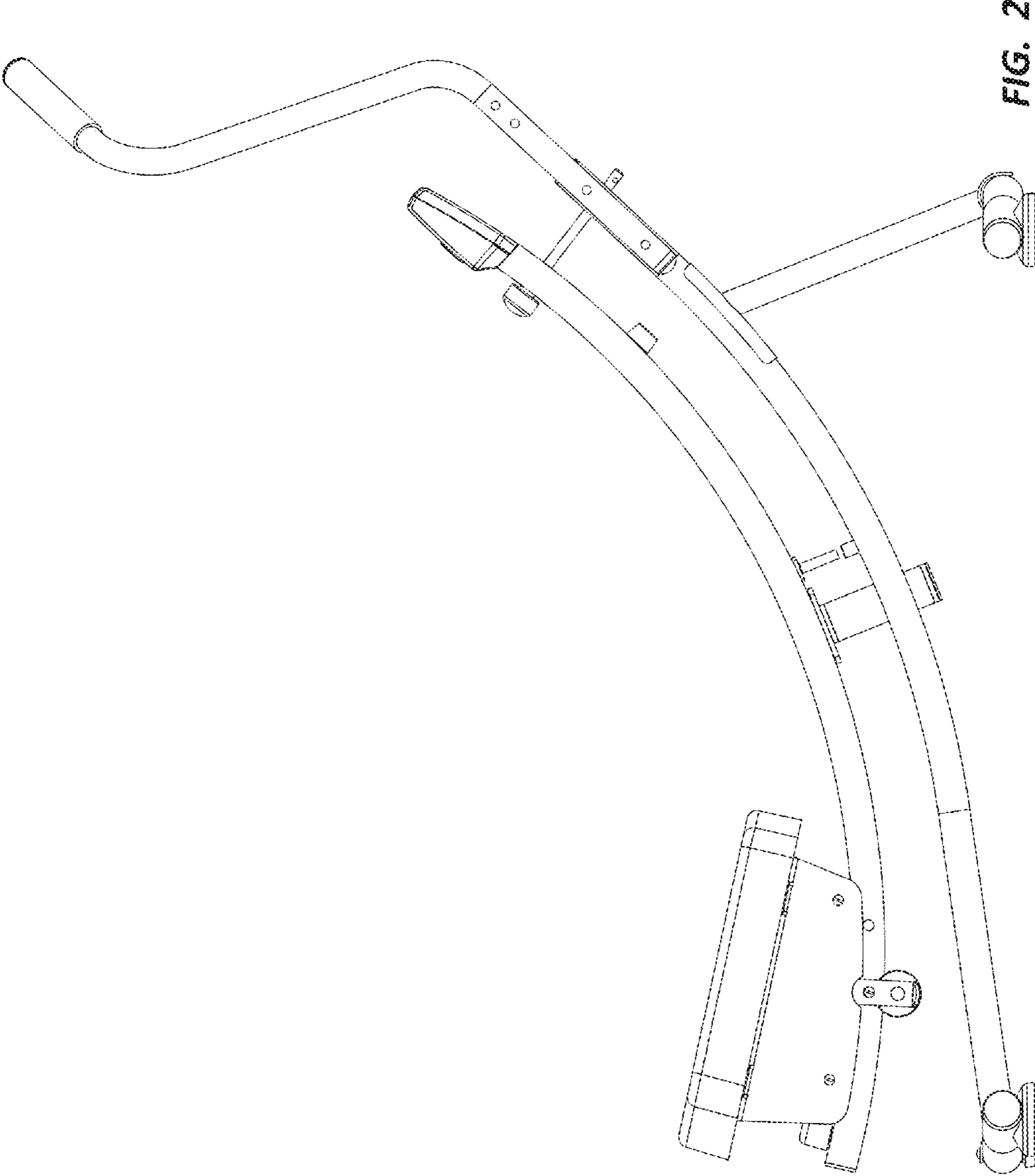


FIG. 2

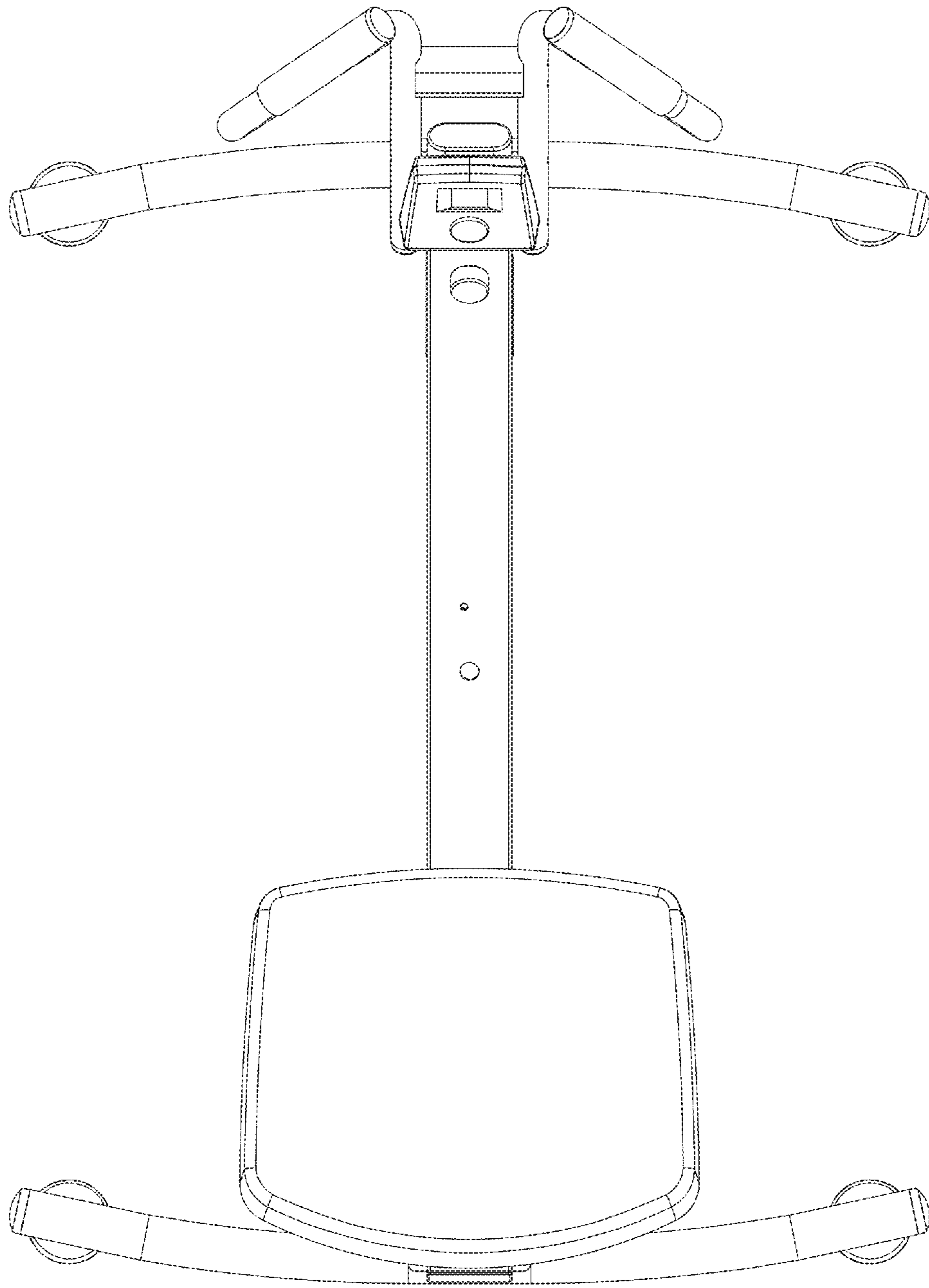


FIG. 3

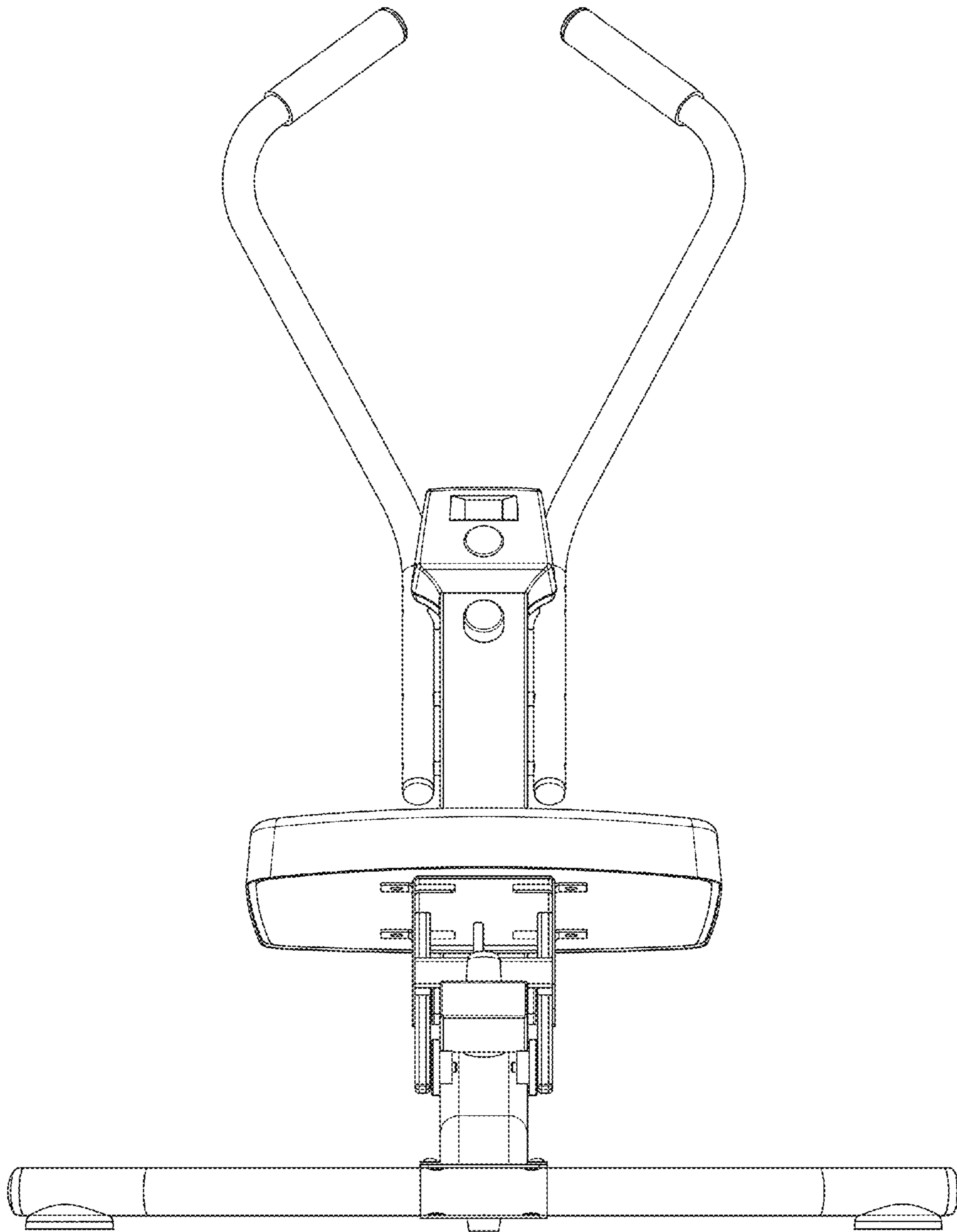


FIG. 4

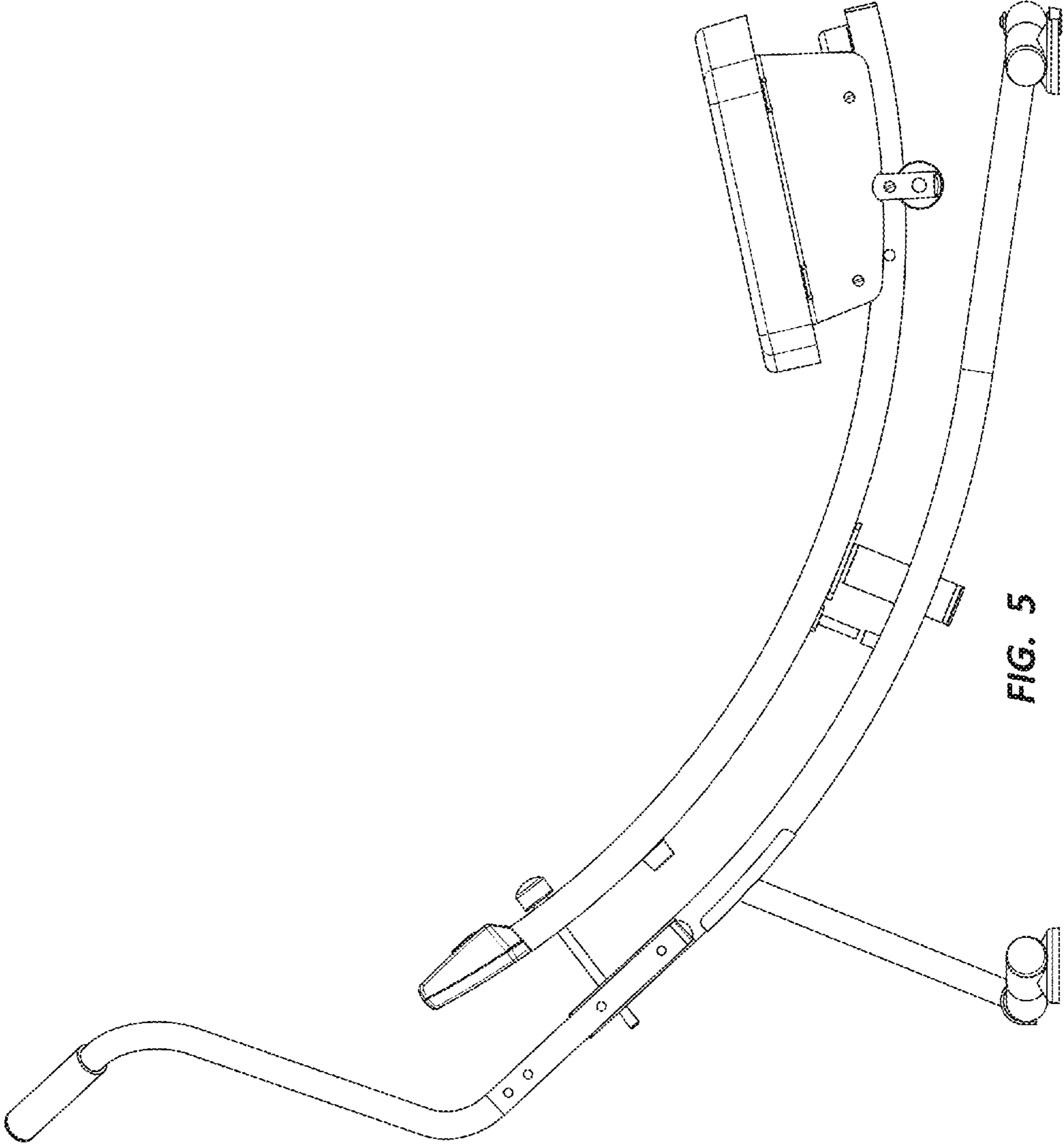


FIG. 5

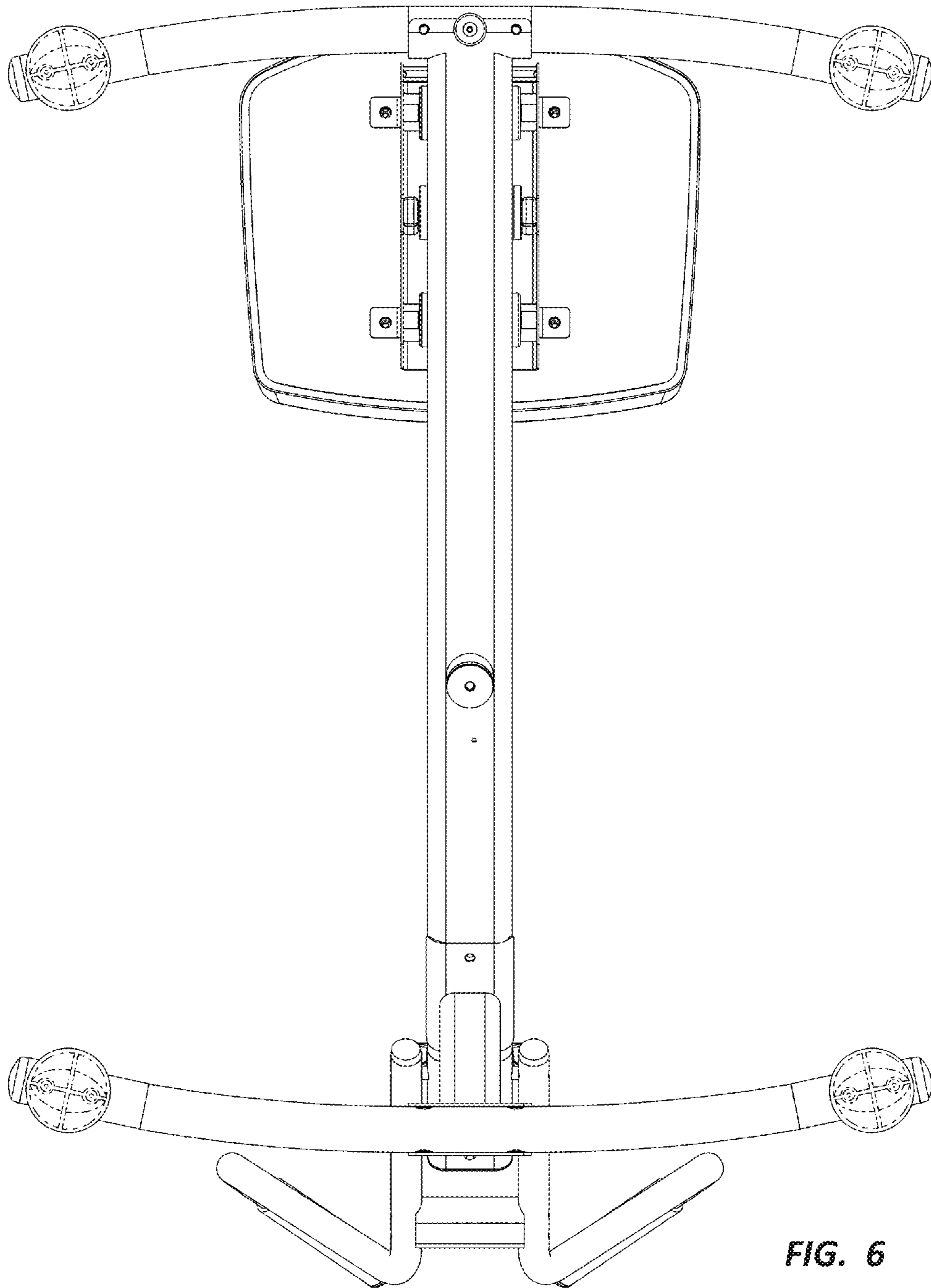


FIG. 6

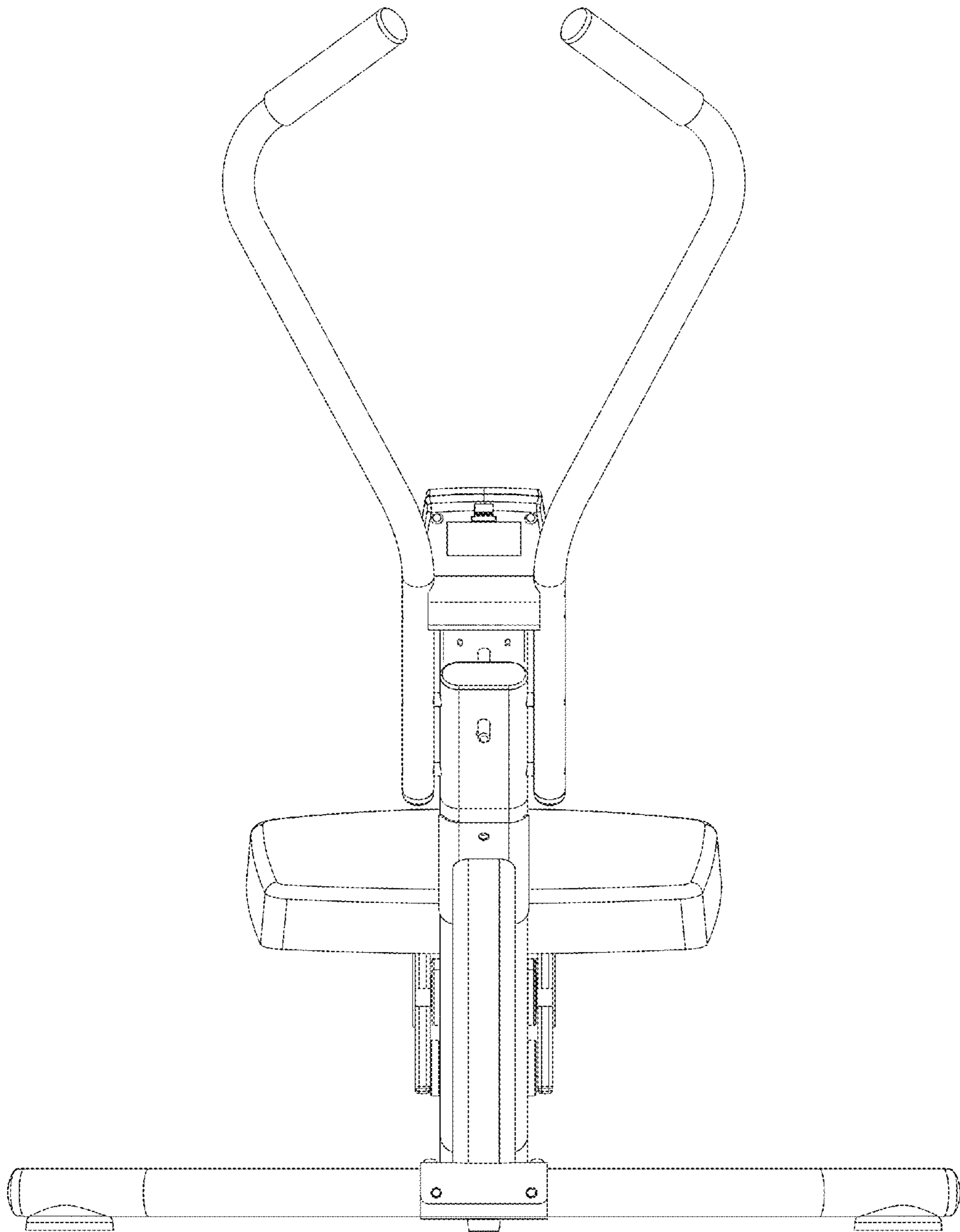


FIG. 7