



US00D671177S

(12) **United States Design Patent**  
**Sip**

(10) **Patent No.:** **US D671,177 S**

(45) **Date of Patent:** **\*\* Nov. 20, 2012**

(54) **ADJUSTABLE ABDOMINAL EXERCISE APPARATUS**

(75) Inventor: **Travis Sip**, Plain City, UT (US)

(73) Assignee: **ICON IP, Inc.**, Logan, UT (US)

(\*\*) Term: **14 Years**

(21) Appl. No.: **29/406,342**

(22) Filed: **Nov. 11, 2011**

(51) **LOC (9) Cl.** ..... **21-02**

(52) **U.S. Cl.** ..... **D21/689**

(58) **Field of Classification Search** ..... D21/662,  
D21/686, 688, 689, 694, 695; 482/51, 71-72,  
482/96, 112, 121, 130-132, 140, 142, 144,  
482/146-147; 601/23, 33, 40, 127, 131;  
D6/502, 601, 366; 280/281.1, 287

See application file for complete search history.

(56) **References Cited**

U.S. PATENT DOCUMENTS

4,858,918	A *	8/1989	Iams et al.	.....	482/132
5,690,593	A *	11/1997	Huang	.....	482/96
D565,134	S *	3/2008	Brown et al.	.....	D21/694
D567,312	S *	4/2008	Tsai	.....	D21/688
D584,367	S *	1/2009	Augustine et al.	.....	D21/662

7,666,121	B2 *	2/2010	Zhou	.....	482/51
D612,000	S *	3/2010	Campanaro et al.	.....	D21/687
D631,519	S *	1/2011	Chen	.....	D21/689
7,878,957	B1 *	2/2011	Chen	.....	482/140
7,901,329	B2 *	3/2011	Tsai	.....	482/51
D642,639	S *	8/2011	Tsai	.....	D21/689
D643,482	S *	8/2011	Ho et al.	.....	D21/689
8,052,583	B1 *	11/2011	Tsai	.....	482/96
D652,461	S *	1/2012	Brodess et al.	.....	D21/689
D655,357	S *	3/2012	Casey et al.	.....	D21/689
D659,777	S *	5/2012	Watterson et al.	.....	D21/689
2009/0325767	A1 *	12/2009	Zhou	.....	482/51

\* cited by examiner

*Primary Examiner* — Susan E Krakower

(74) *Attorney, Agent, or Firm* — Holland & Hart LLP

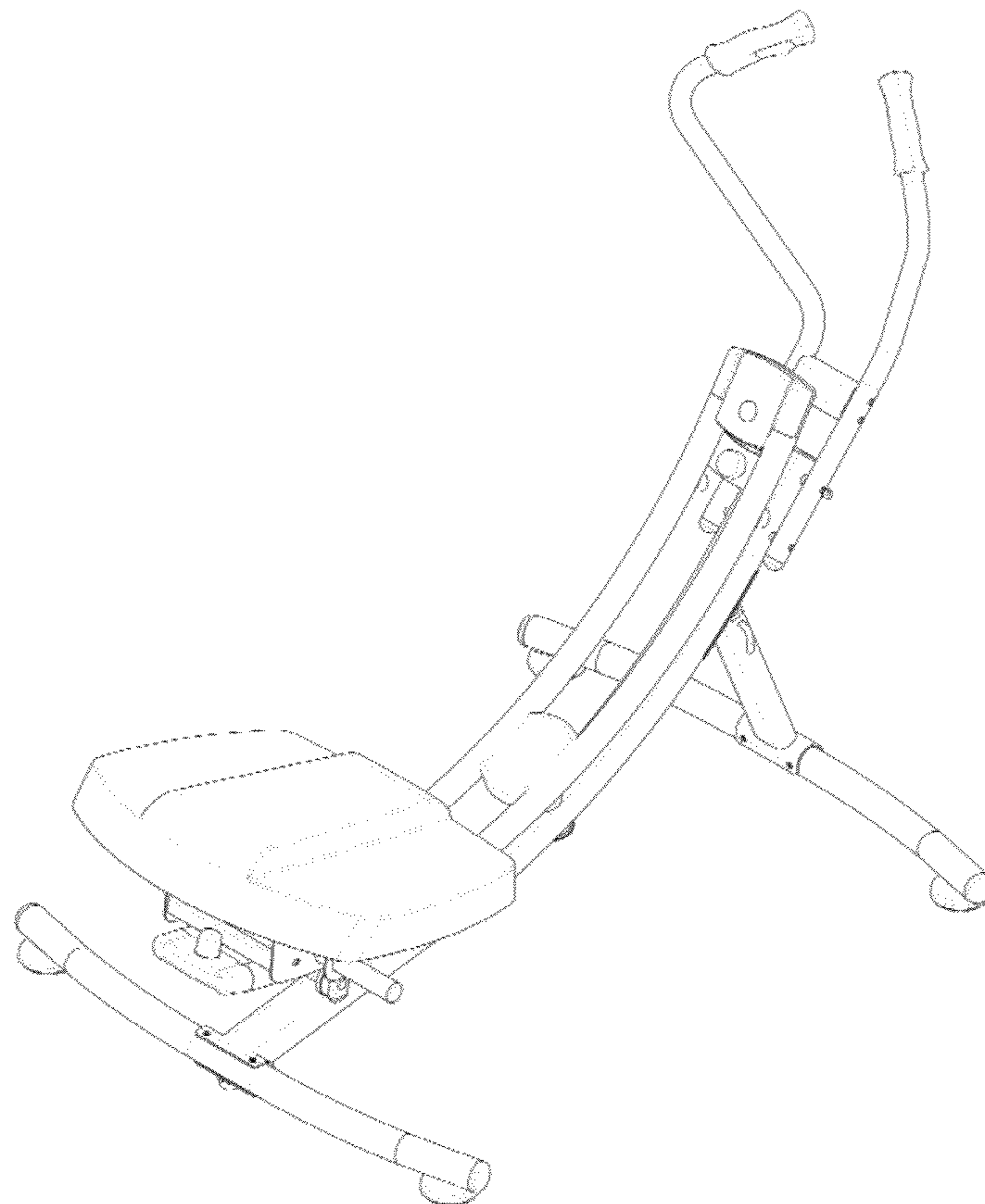
(57) **CLAIM**

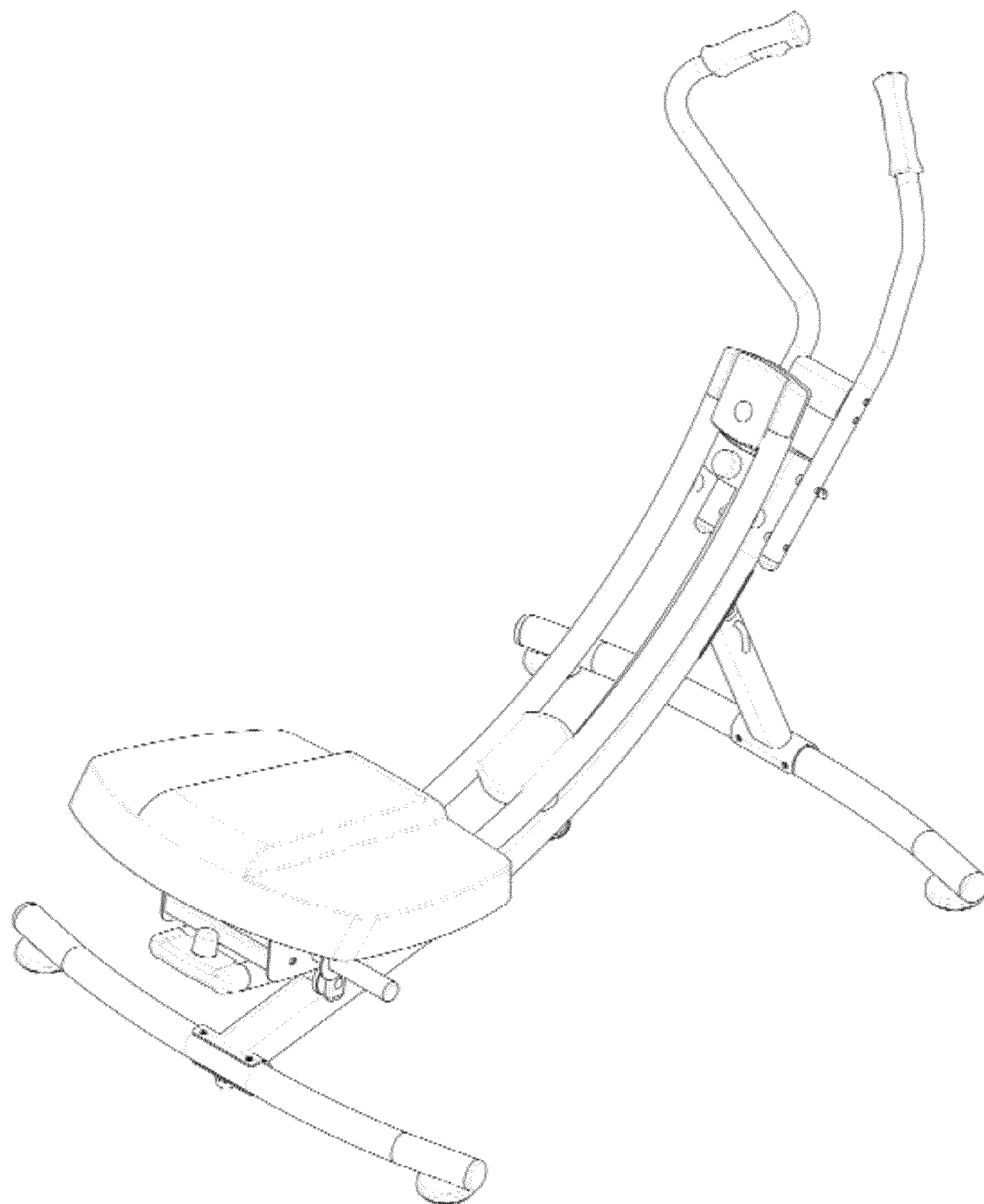
The ornamental design for an adjustable abdominal exercise apparatus, as shown and described.

**DESCRIPTION**

FIG. 1 is an isometric view of an adjustable abdominal exercise apparatus according to the present invention; FIG. 2 is a right side elevation view thereof; FIG. 3 is a top plan view thereof; FIG. 4 is a back elevational view thereof; FIG. 5 is a bottom plan view thereof; FIG. 6 is a left side elevational view thereof; and, FIG. 7 is a front elevational view thereof.

**1 Claim, 7 Drawing Sheets**





**FIG. 1**

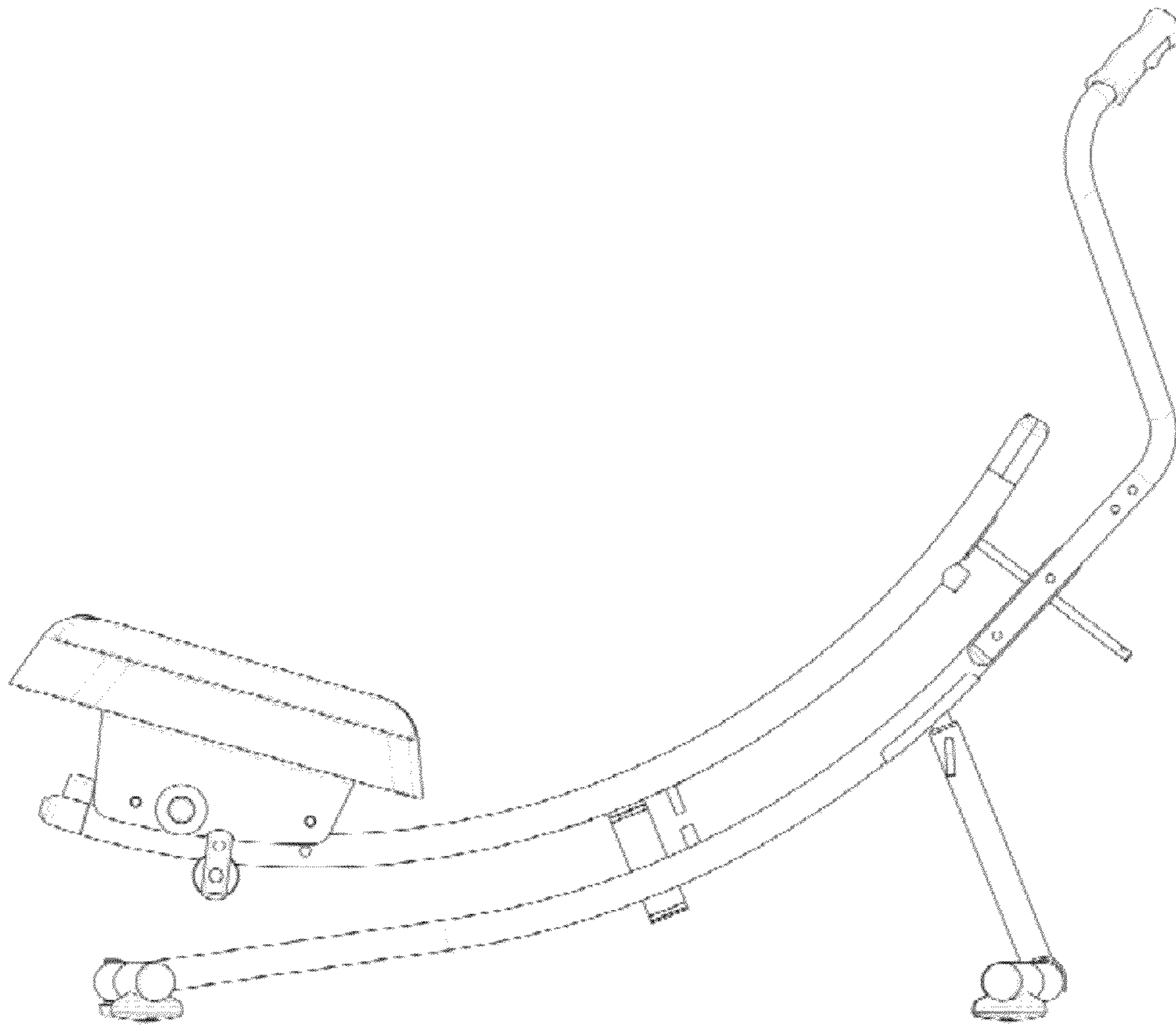
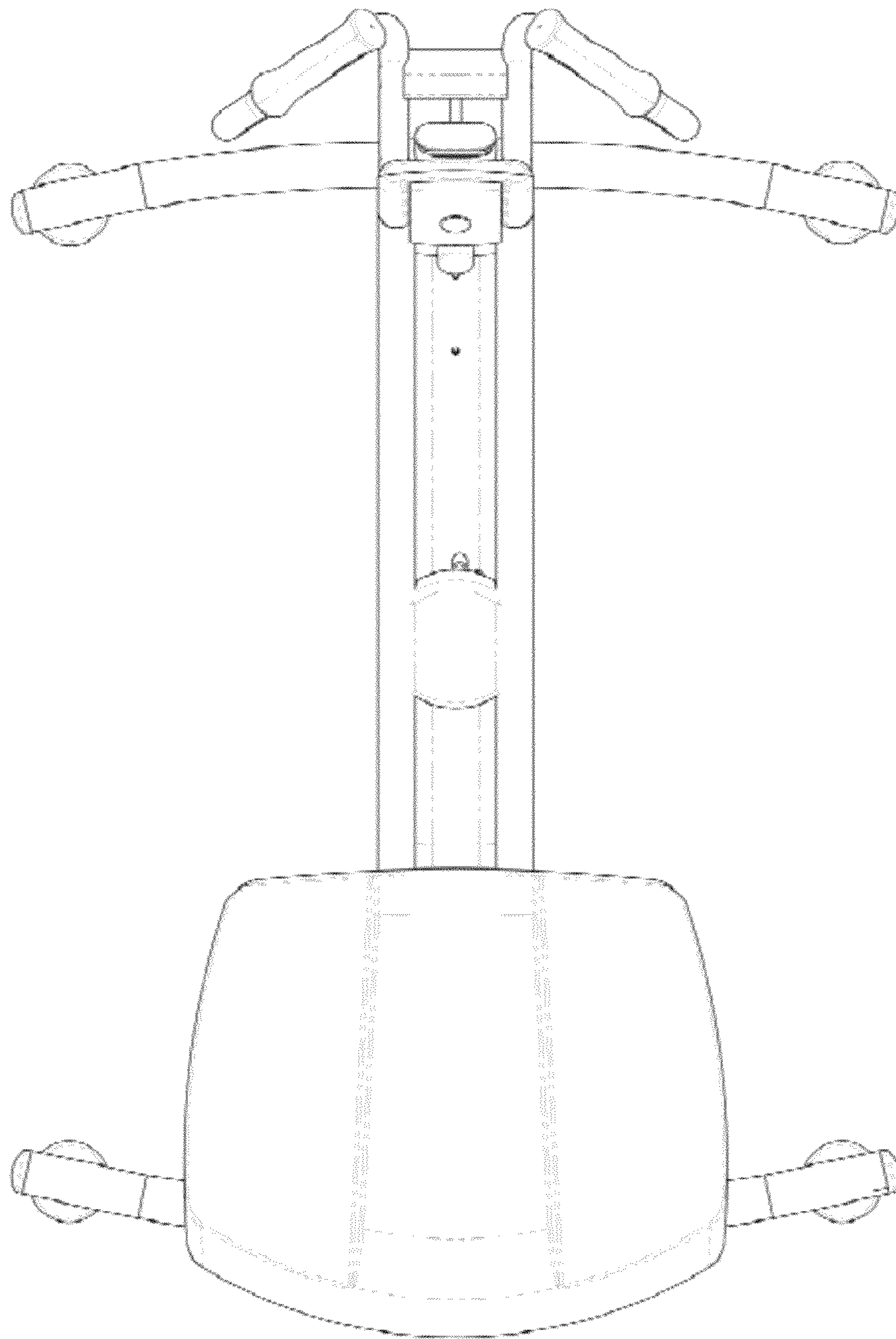
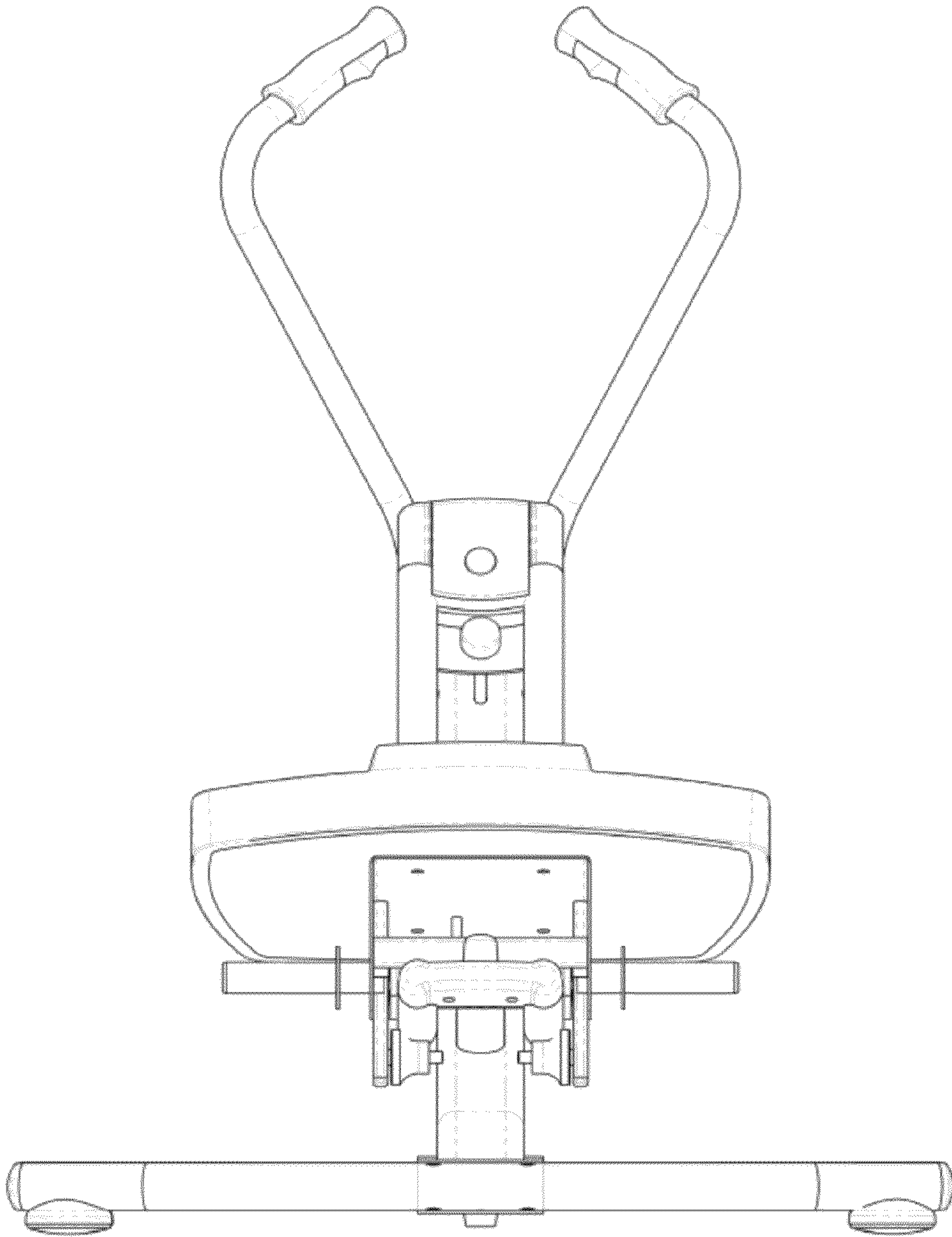


FIG. 2

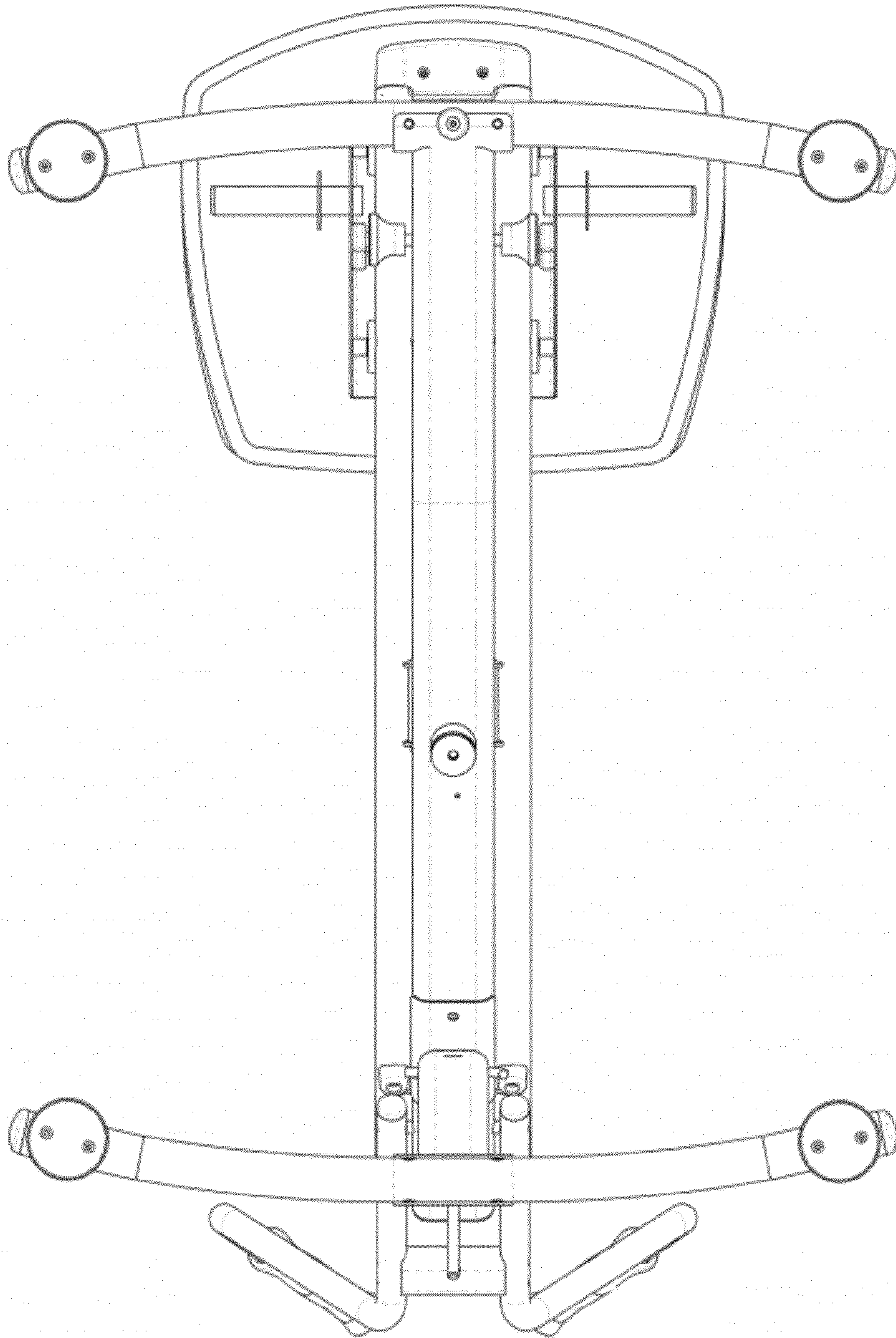


**FIG. 3**





**FIG. 4**



**FIG. 5**

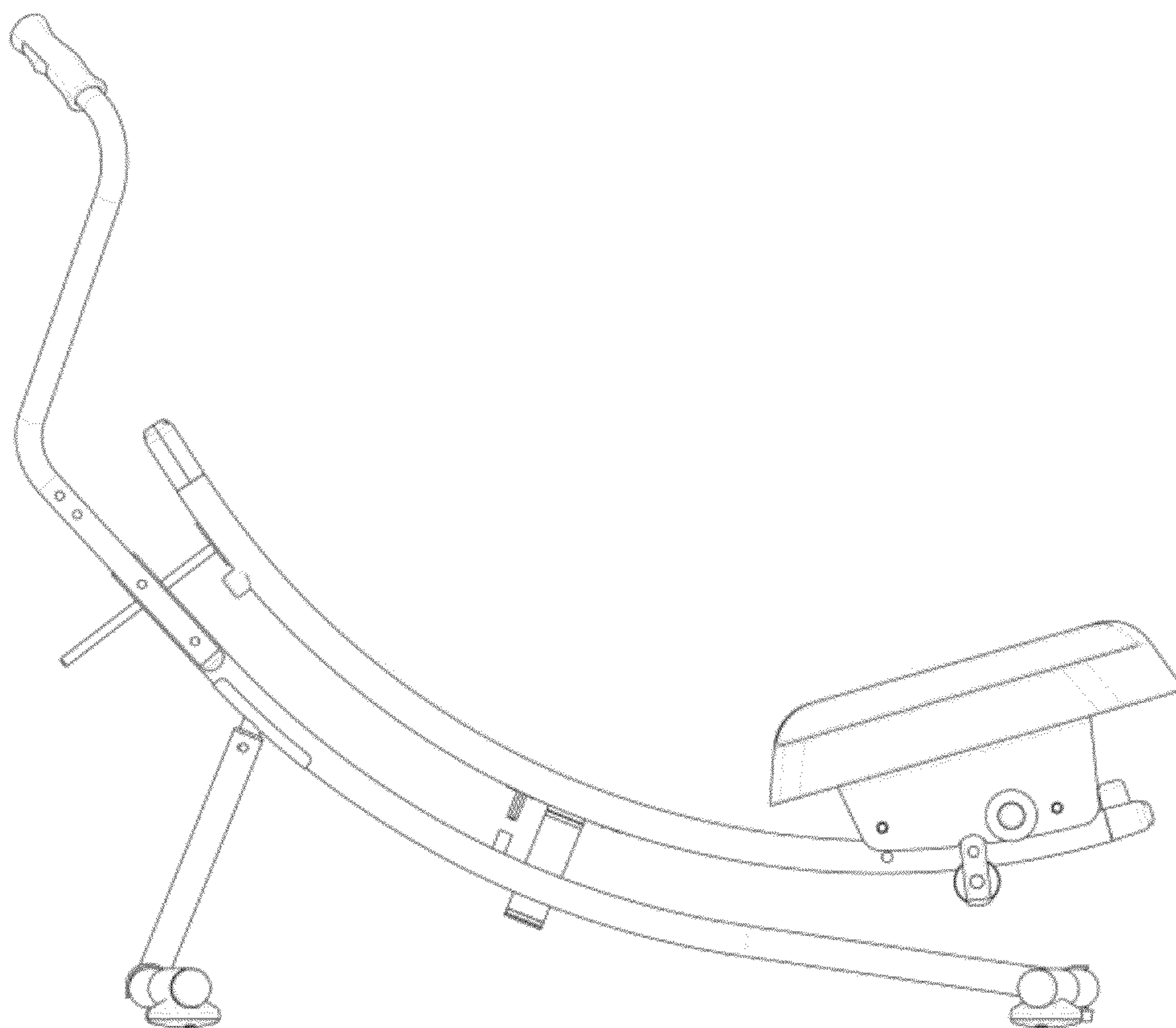


FIG. 6



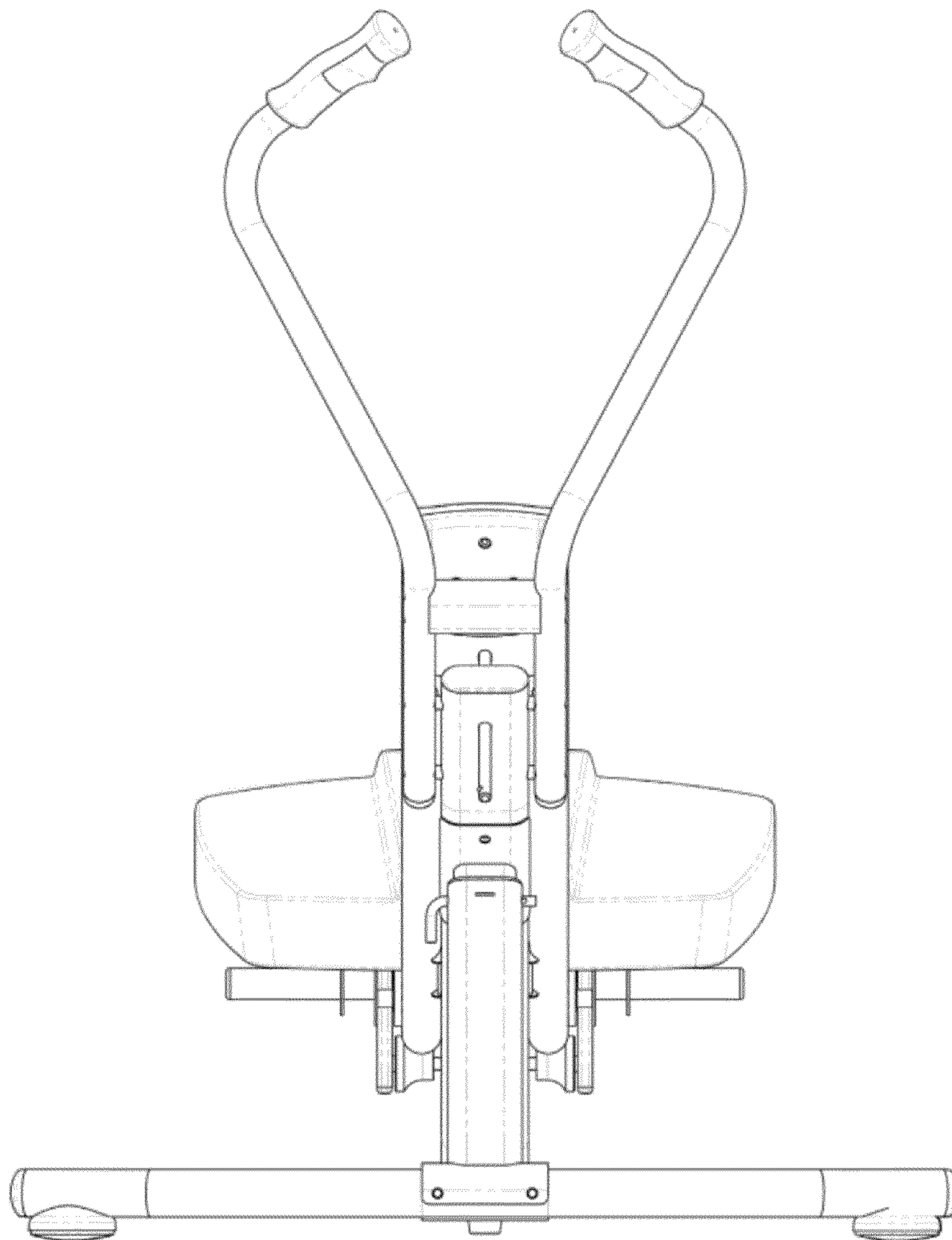


FIG. 7