



US00D671176S

(12) **United States Design Patent**  
**Ho**

(10) **Patent No.:** **US D671,176 S**  
(45) **Date of Patent:** **\*\* Nov. 20, 2012**

(54) **COMBINED ARM AND WAIST EXERCISE APPARATUS**

(76) Inventor: **Wei-Teh Ho**, Taipei (TW)

(\*\*) Term: **14 Years**

(21) Appl. No.: **29/373,870**

(22) Filed: **Jun. 2, 2011**

(51) **LOC (9) Cl.** ..... **21-02**

(52) **U.S. Cl.** ..... **D21/662**

(58) **Field of Classification Search** ..... D21/662,  
D21/679, 680, 684, 692, 694; 482/108, 110,  
482/121-123, 125-127, 129, 132, 136, 140;  
D24/211; 601/120, 125

See application file for complete search history.

(56) **References Cited**

**U.S. PATENT DOCUMENTS**

1,824,920	A *	9/1931	Novak	.....	482/132
6,017,296	A *	1/2000	Tang et al.	.....	482/132
6,071,217	A *	6/2000	Barnett	.....	482/121
D431,608	S *	10/2000	Lin	.....	D21/398
6,196,955	B1 *	3/2001	Chuang	.....	482/132
D445,852	S *	7/2001	Mishan et al.	.....	D21/662
6,254,518	B1 *	7/2001	Yu	.....	482/140

6,338,703	B1 *	1/2002	Yu	.....	482/132
D453,363	S *	2/2002	Zhang	.....	D21/662
6,348,027	B1 *	2/2002	Lee	.....	482/132
6,409,639	B1 *	6/2002	Kuo	.....	482/140
6,638,201	B1 *	10/2003	Dischler	.....	482/132
7,951,052	B1 *	5/2011	Tang	.....	482/132

\* cited by examiner

*Primary Examiner* — Susan E Krakower

(74) *Attorney, Agent, or Firm* — Jackson IPG PLLC

(57) **CLAIM**

I claim the ornamental design for an combined arm and waist exercise apparatus, as shown and described.

**DESCRIPTION**

FIG. 1 is a perspective view of an combined arm and waist exercise apparatus showing my new design;

FIG. 2 is a front view thereof;

FIG. 3 is a rear view thereof;

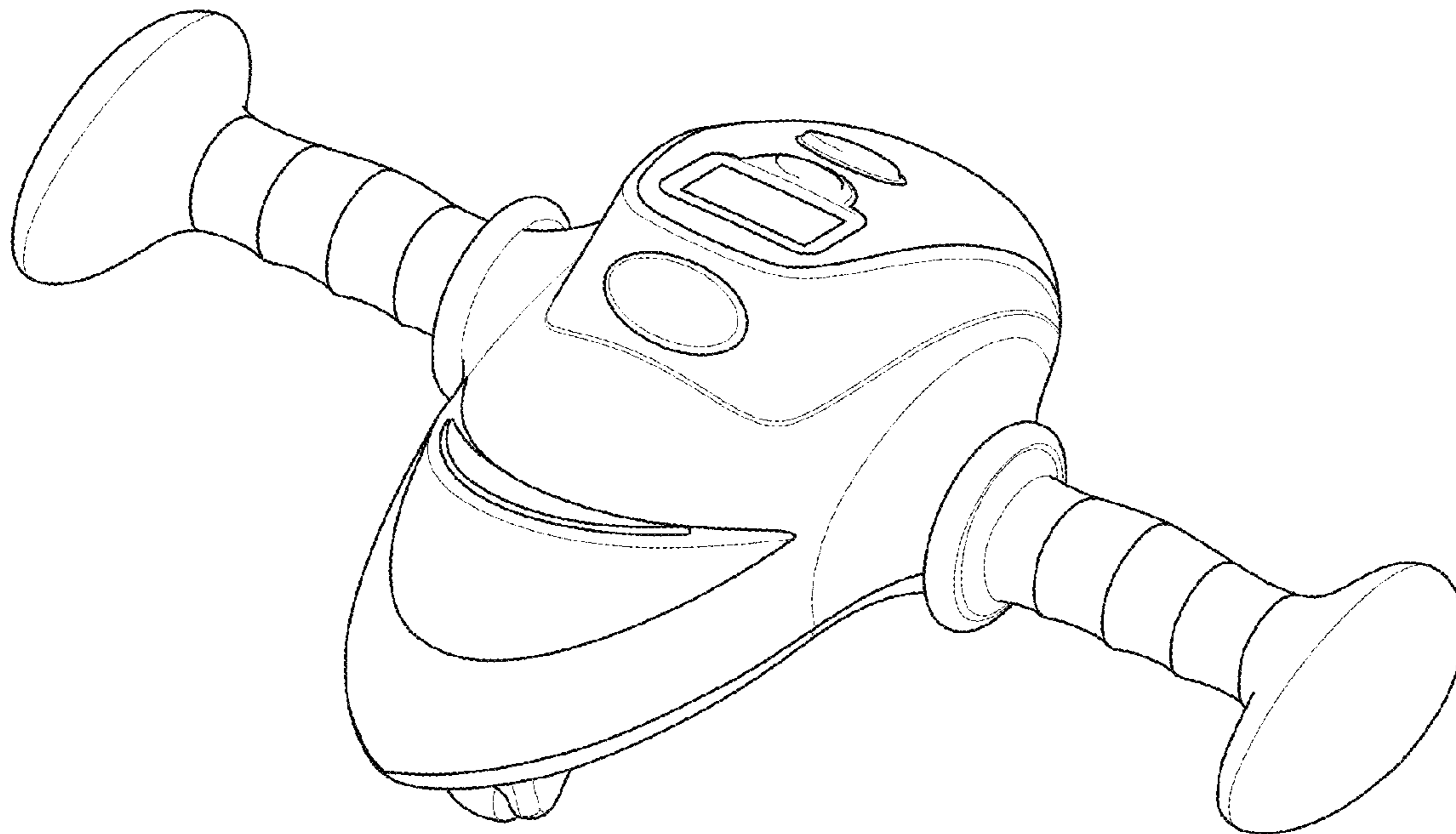
FIG. 4 is a right side view thereof;

FIG. 5 is a left side view thereof;

FIG. 6 is a top plan view thereof; and,

FIG. 7 is a bottom plan view thereof.

**1 Claim, 6 Drawing Sheets**



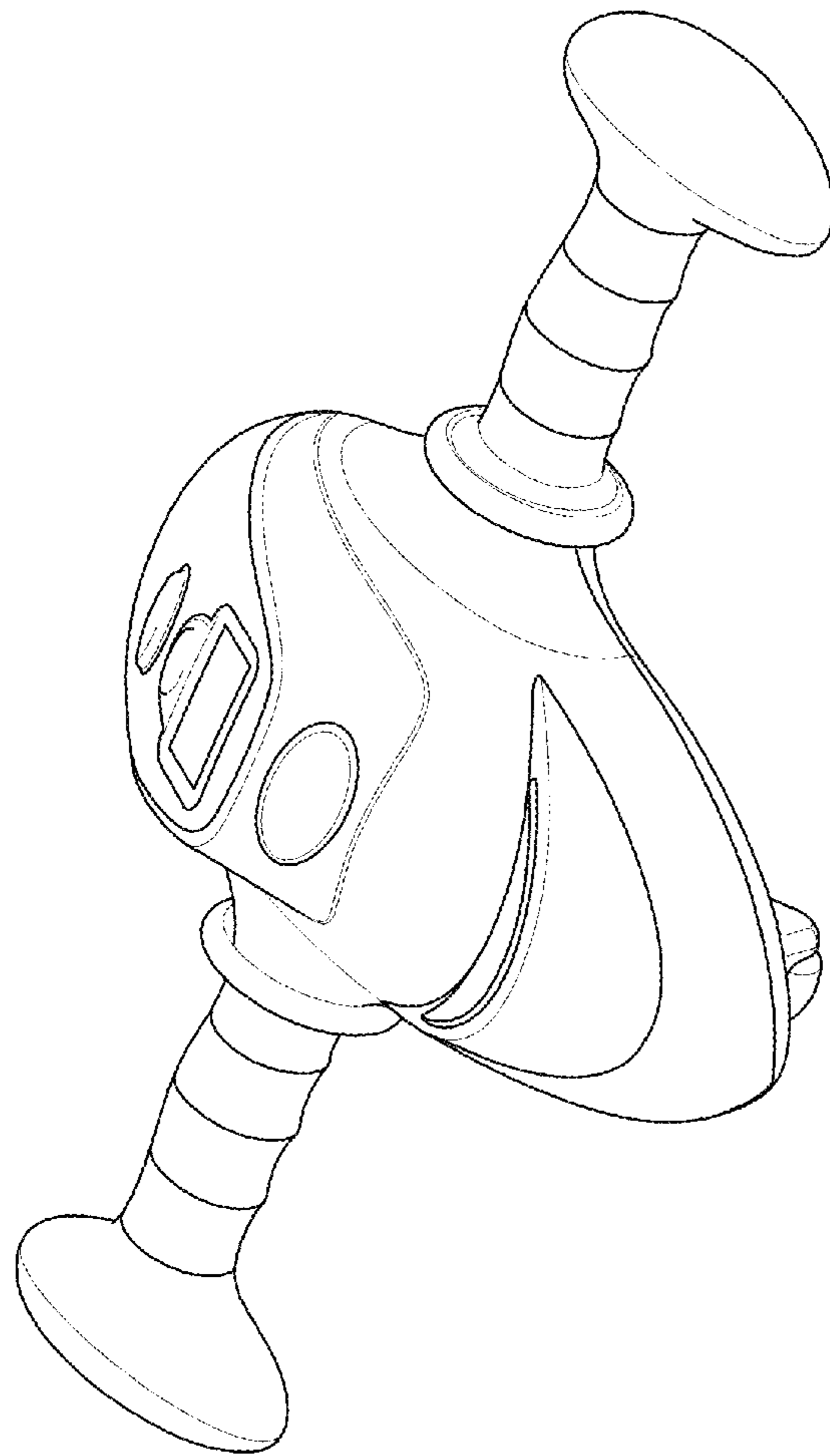


FIG. 1

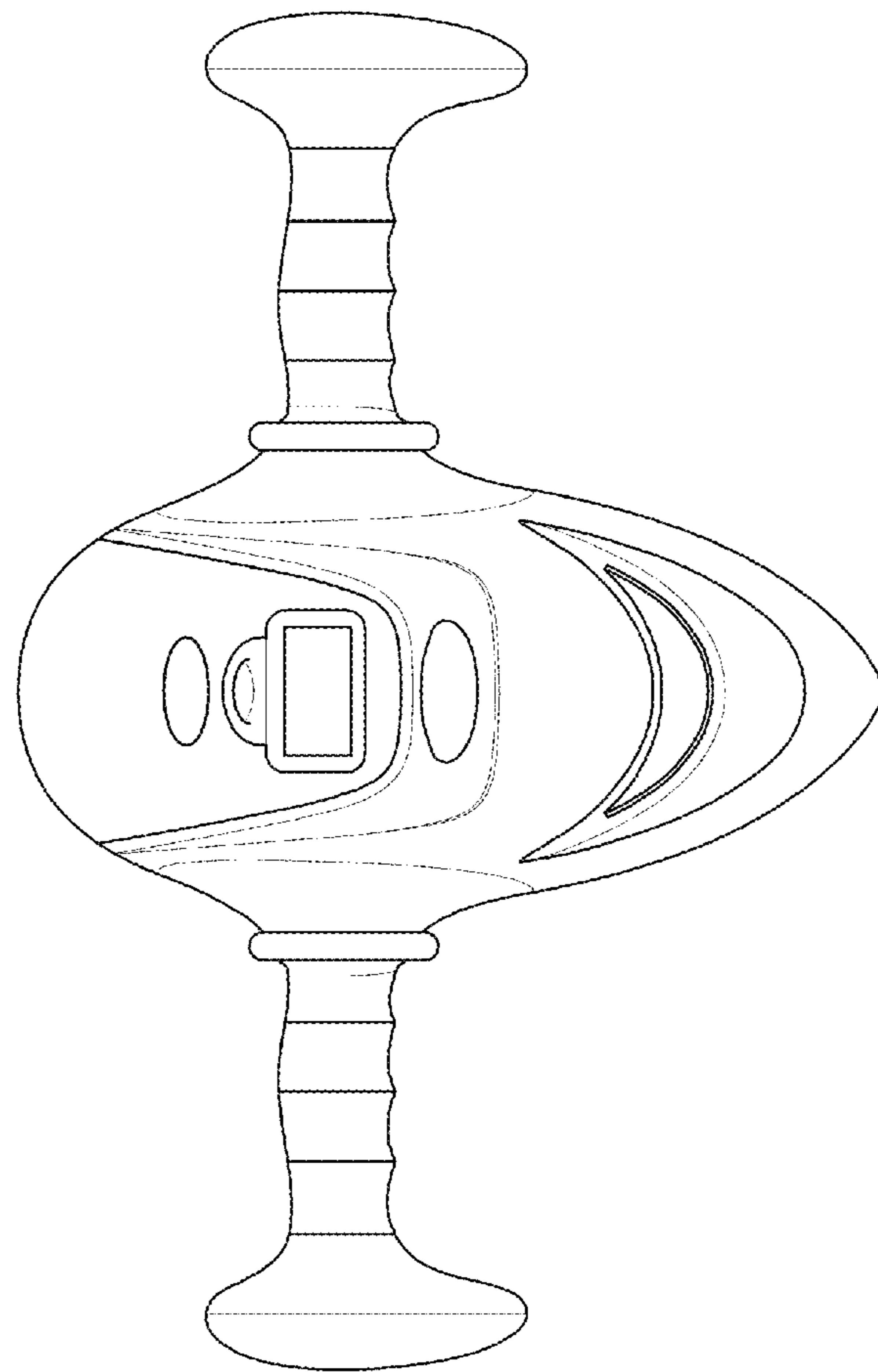


FIG. 2

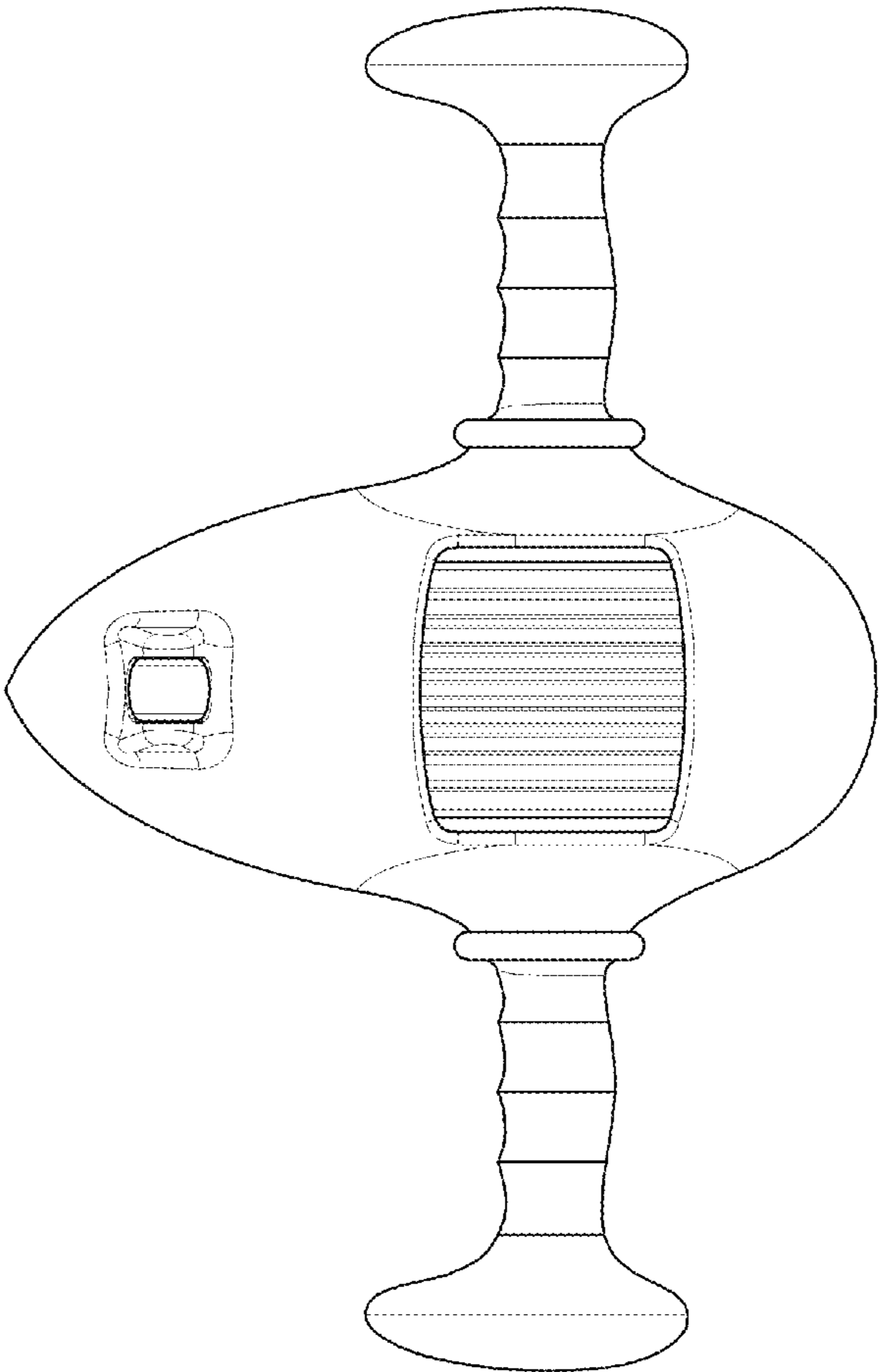


FIG. 3

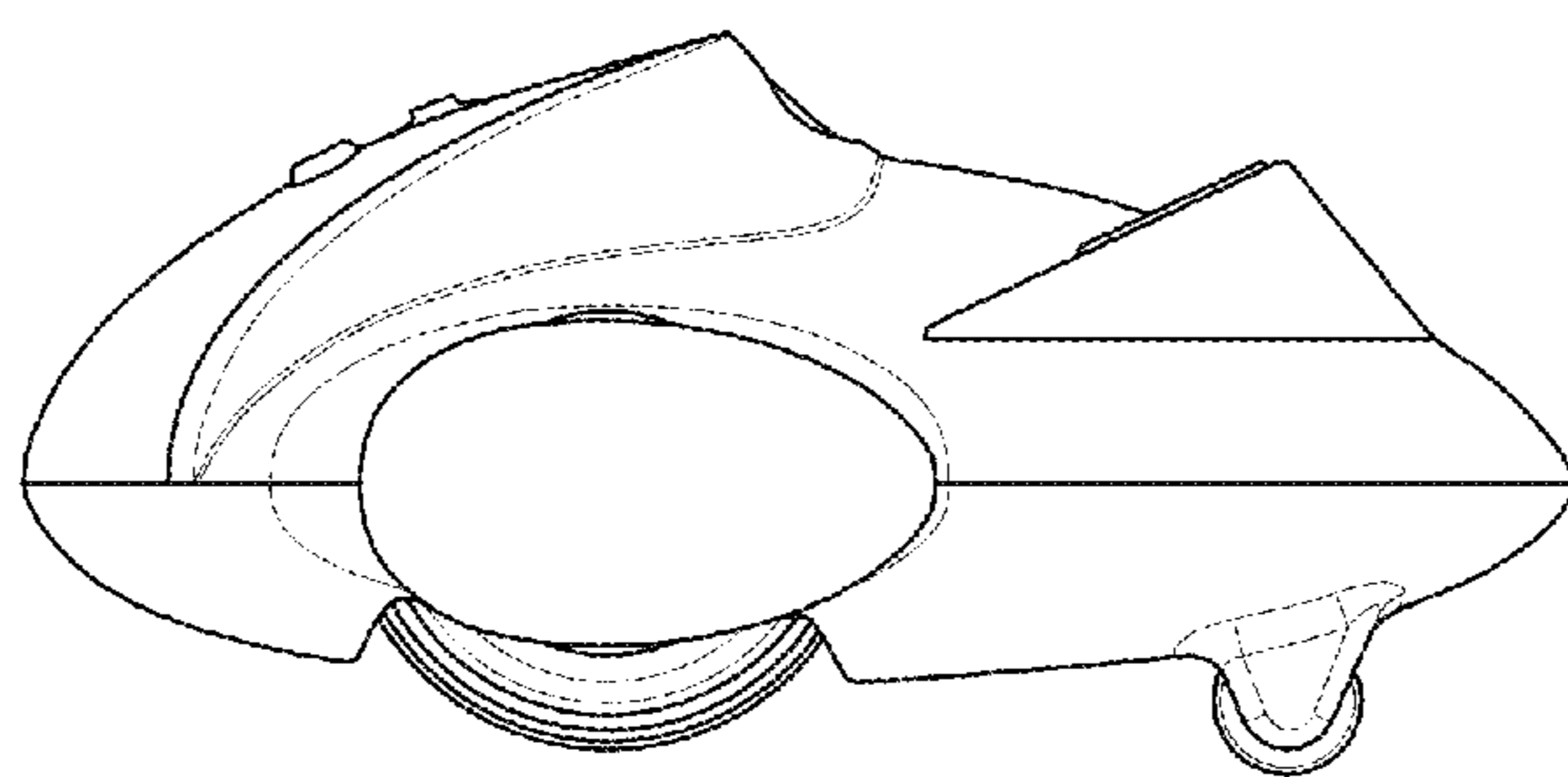


FIG. 5

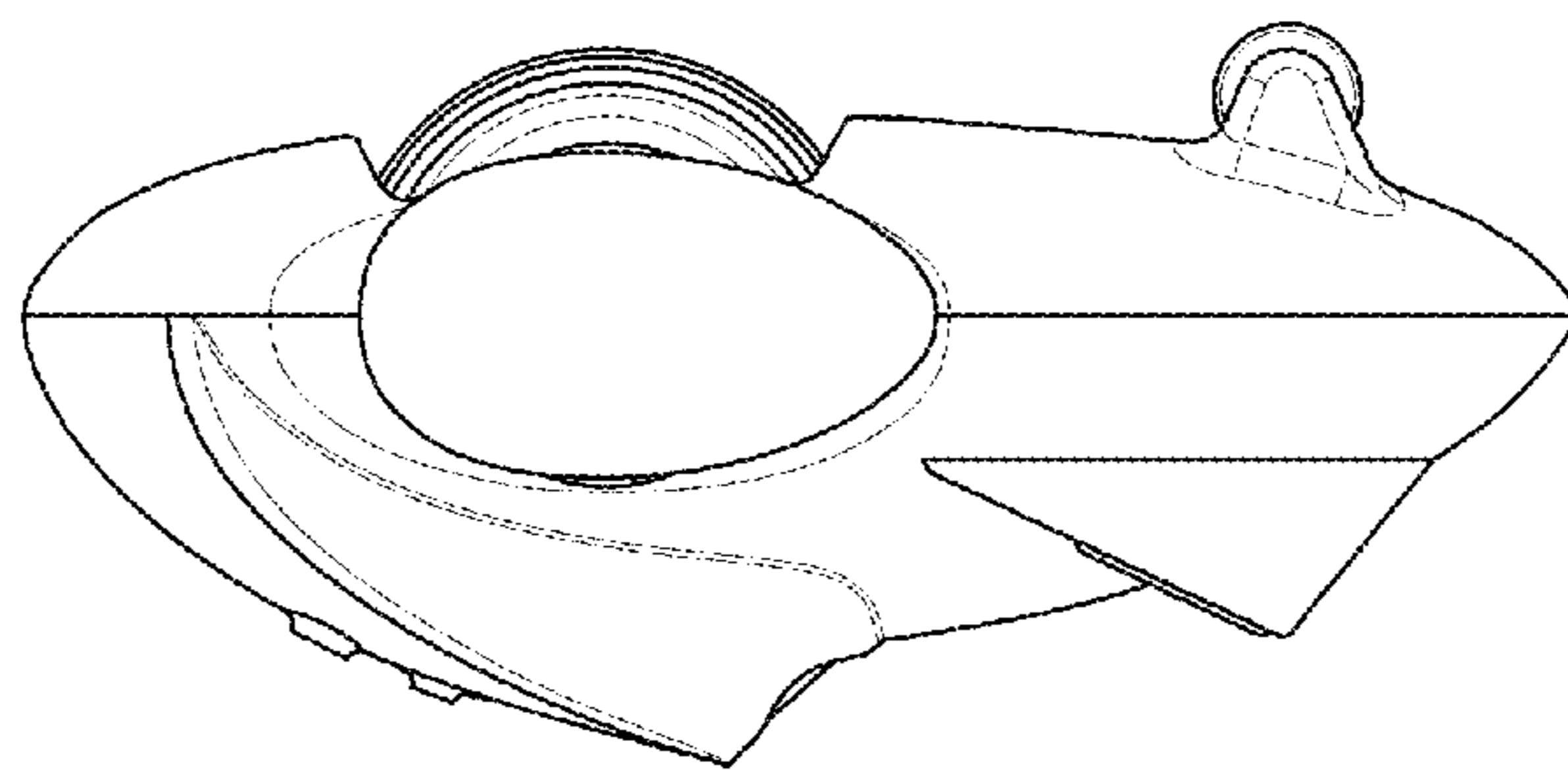


FIG. 4

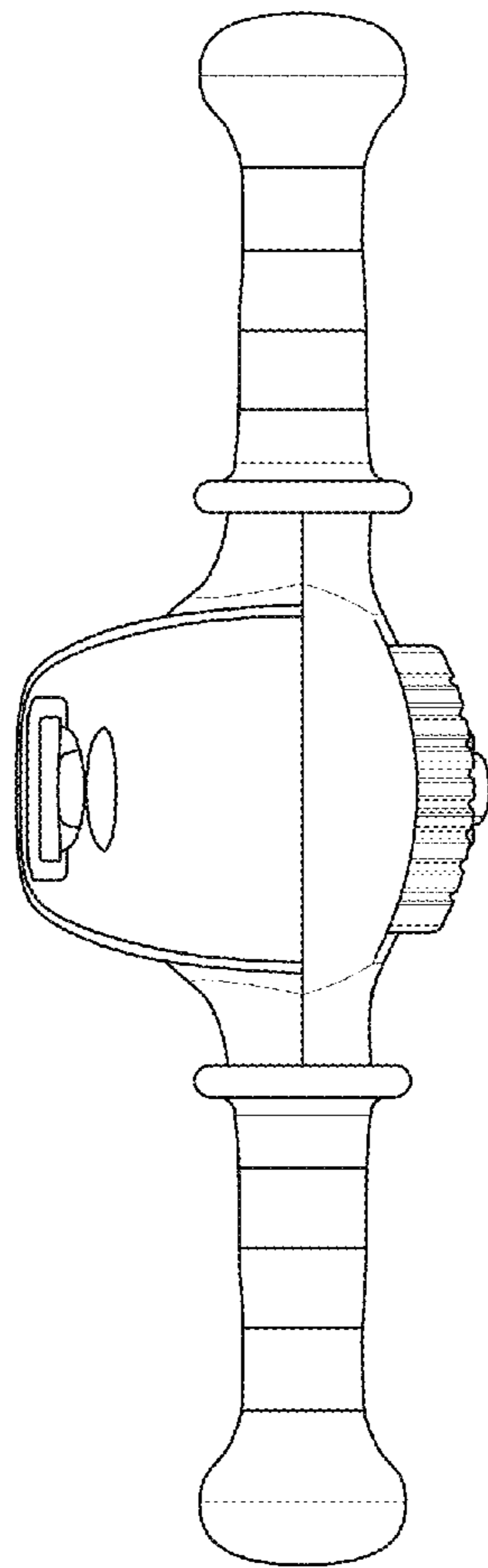


FIG. 6

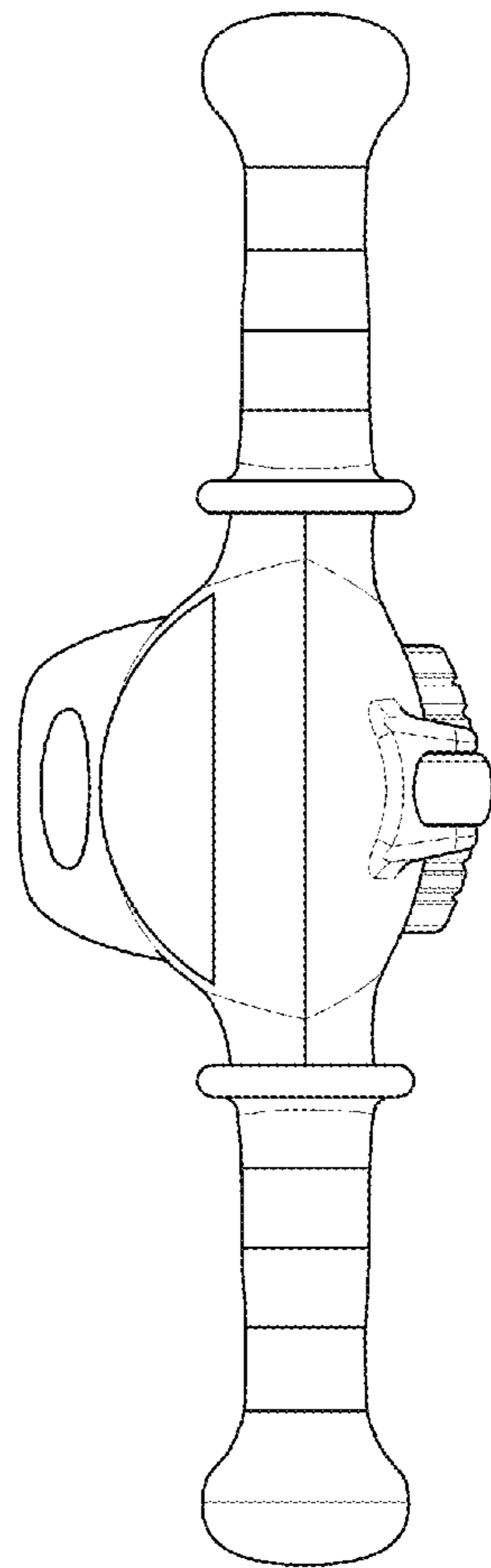


FIG. 7