



US00D671174S

(12) **United States Design Patent**  
**Smokowski et al.**

(10) **Patent No.:** **US D671,174 S**

(45) **Date of Patent:** **\*\* Nov. 20, 2012**

- (54) **TOY**
- (75) Inventors: **John Thaddeus Smokowski**, West Seneca, NY (US); **Carol Snyder**, East Aurora, NY (US); **Patrick Ritossa**, Chesterland, OH (US)
- (73) Assignee: **Mattel, Inc.**, El Segundo, CA (US)
- (\*\*) Term: **14 Years**
- (21) Appl. No.: **29/369,629**
- (22) Filed: **Sep. 10, 2010**
- (51) **LOC (9) Cl.** ..... **21-01**
- (52) **U.S. Cl.** ..... **D21/482; D21/598**
- (58) **Field of Classification Search** ..... D21/412, D21/414, 415, 419, 424, 426, 427, 428, 493, D21/495, 598, 600, 603, 831, 832; 280/1.16, 280/1.165, 1.167, 1.191, 1.192, 1.22, 1.23, 280/827, 828, 87.01, 87.021, 87.03  
See application file for complete search history.

- D302,707 S \* 8/1989 Nakao et al. .... D21/428
- D352,074 S \* 11/1994 Bunn, Jr. .... D21/428
- 5,380,232 A 1/1995 Berggreen et al.
- 5,474,483 A 12/1995 Sun
- 5,538,267 A 7/1996 Pasin et al.
- 5,782,185 A 7/1998 Frahm et al.
- 6,010,145 A 1/2000 Liu
- 6,079,720 A 6/2000 Spear et al.
- 6,186,524 B1 2/2001 McQueeney et al.
- 6,193,247 B1 2/2001 Spear et al.
- D449,013 S \* 10/2001 Spielberg ..... D11/158
- D455,463 S 4/2002 Martin et al.
- 6,446,981 B1 9/2002 Wise et al.
- 6,536,796 B1 3/2003 Solomon
- 6,932,365 B2 8/2005 Chiappetta et al.
- 7,066,485 B2 6/2006 Shapiro

(Continued)

*Primary Examiner* — Cynthia M Chin

(74) *Attorney, Agent, or Firm* — Edell, Shapiro & Finnan, LLC

(57) **CLAIM**

The ornamental design for a toy, as shown and described.

**DESCRIPTION**

FIG. 1 is a front perspective view of a toy according to the present invention;

FIG. 2 is front view of the toy of FIG. 1;

FIG. 3 is a rear view of the toy of FIG. 1;

FIG. 4 is a right side view of the toy of FIG. 1;

FIG. 5 is a left side view of the toy of FIG. 1;

FIG. 6 is a top view of the toy of FIG. 1; and,

FIG. 7 is a bottom view of the toy of FIG. 1.

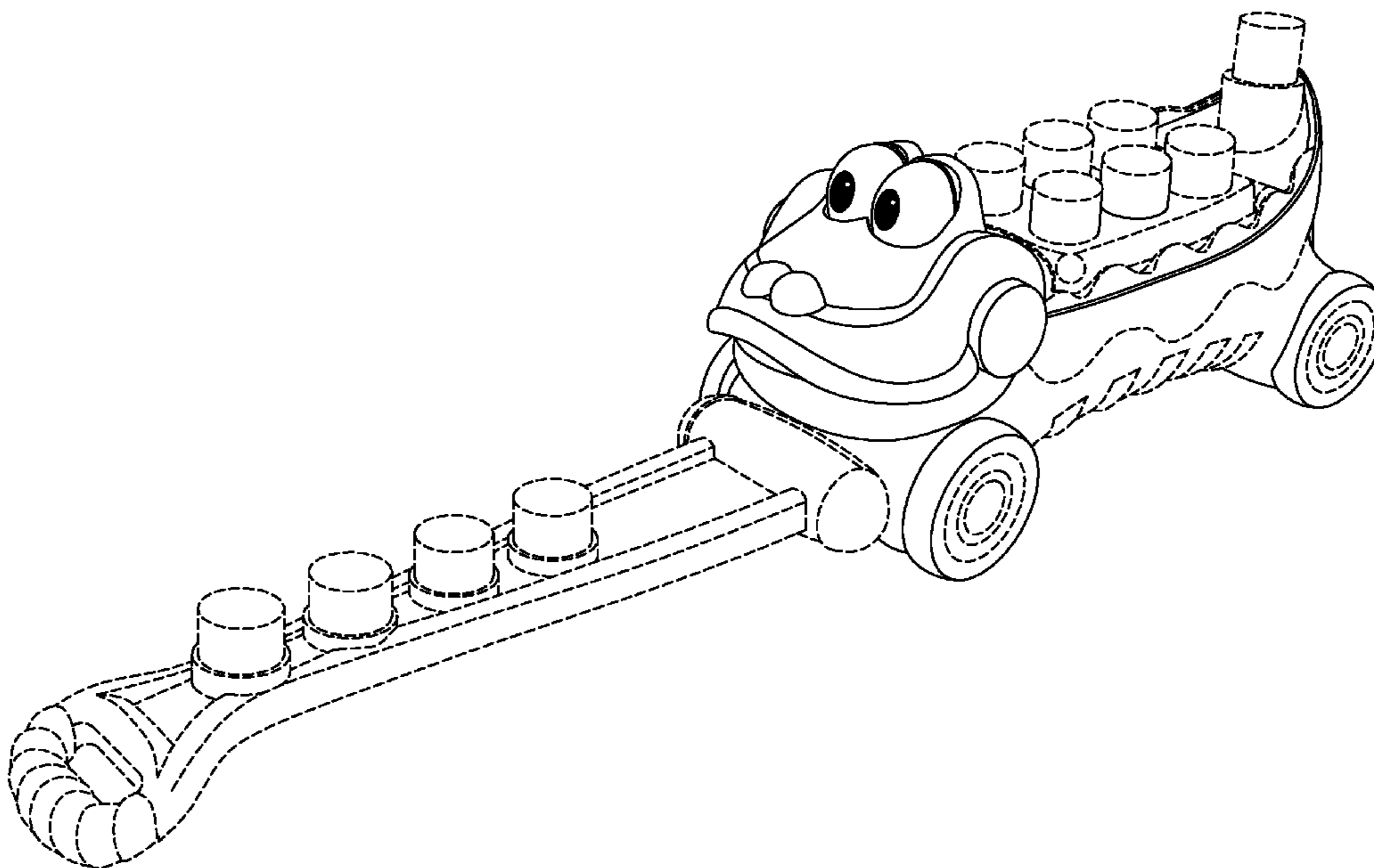
The broken lines shown are included for the purpose of illustrating the unclaimed portions of the article and form no part of the claimed design.

**1 Claim, 6 Drawing Sheets**

(56) **References Cited**

U.S. PATENT DOCUMENTS

- D137,716 S \* 4/1944 Reinecke ..... D21/592
- D142,396 S \* 9/1945 Flynt ..... D21/600
- 2,527,953 A 10/1950 Muffley
- D190,037 S \* 4/1961 Pressner ..... D21/428
- D197,341 S \* 1/1964 Cornish ..... D21/428
- D210,388 S \* 3/1968 Gillibrand ..... D21/598
- 4,103,455 A 8/1978 Silvey
- 4,200,197 A 4/1980 Meyer et al.
- D256,600 S \* 8/1980 Zacherle ..... D21/585
- 4,245,426 A 1/1981 Sullivan
- D267,258 S \* 12/1982 Nakao et al. .... D21/428
- 4,424,978 A 1/1984 Kassai
- 4,508,512 A 4/1985 Girsch et al.



# US D671,174 S

Page 2

---

## U.S. PATENT DOCUMENTS

D532,056 S	*	11/2006	Boutin .....	D21/598	D578,579 S	*	10/2008	Seckel et al. ....	D21/428
D562,412 S		2/2008	Tremblay et al.		7,487,977 B2		2/2009	Johnson	

\* cited by examiner

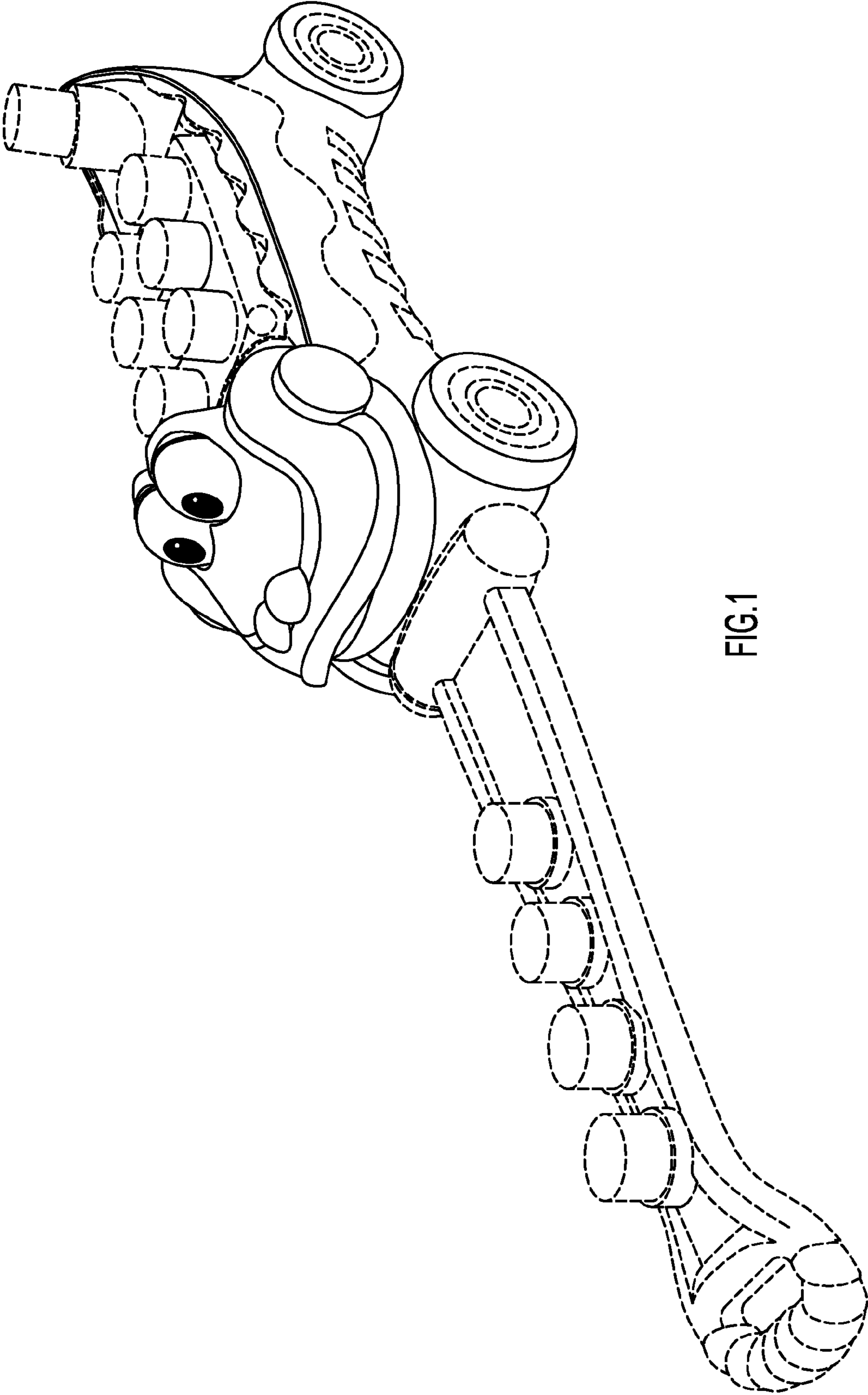


FIG. 1

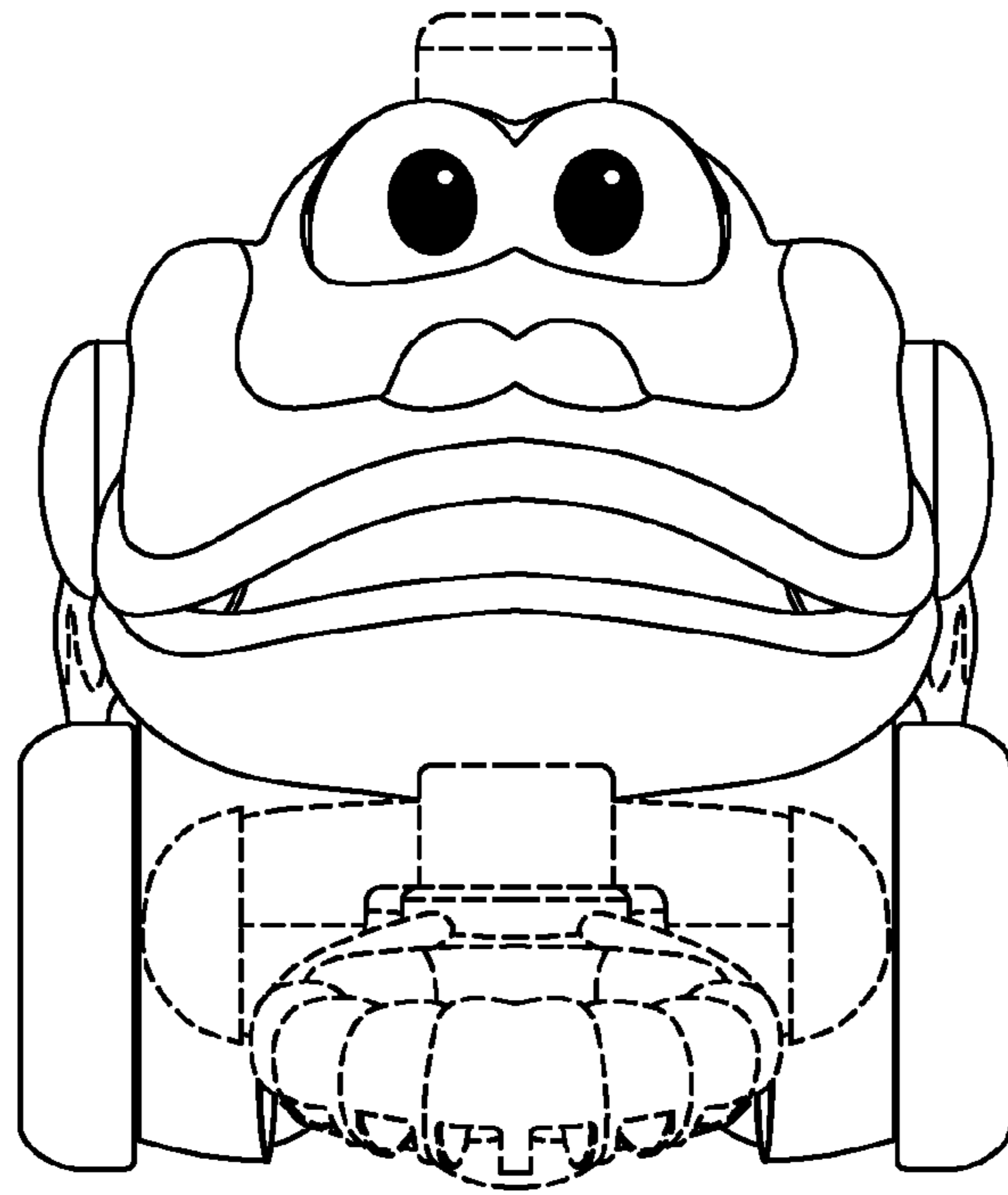


FIG.2

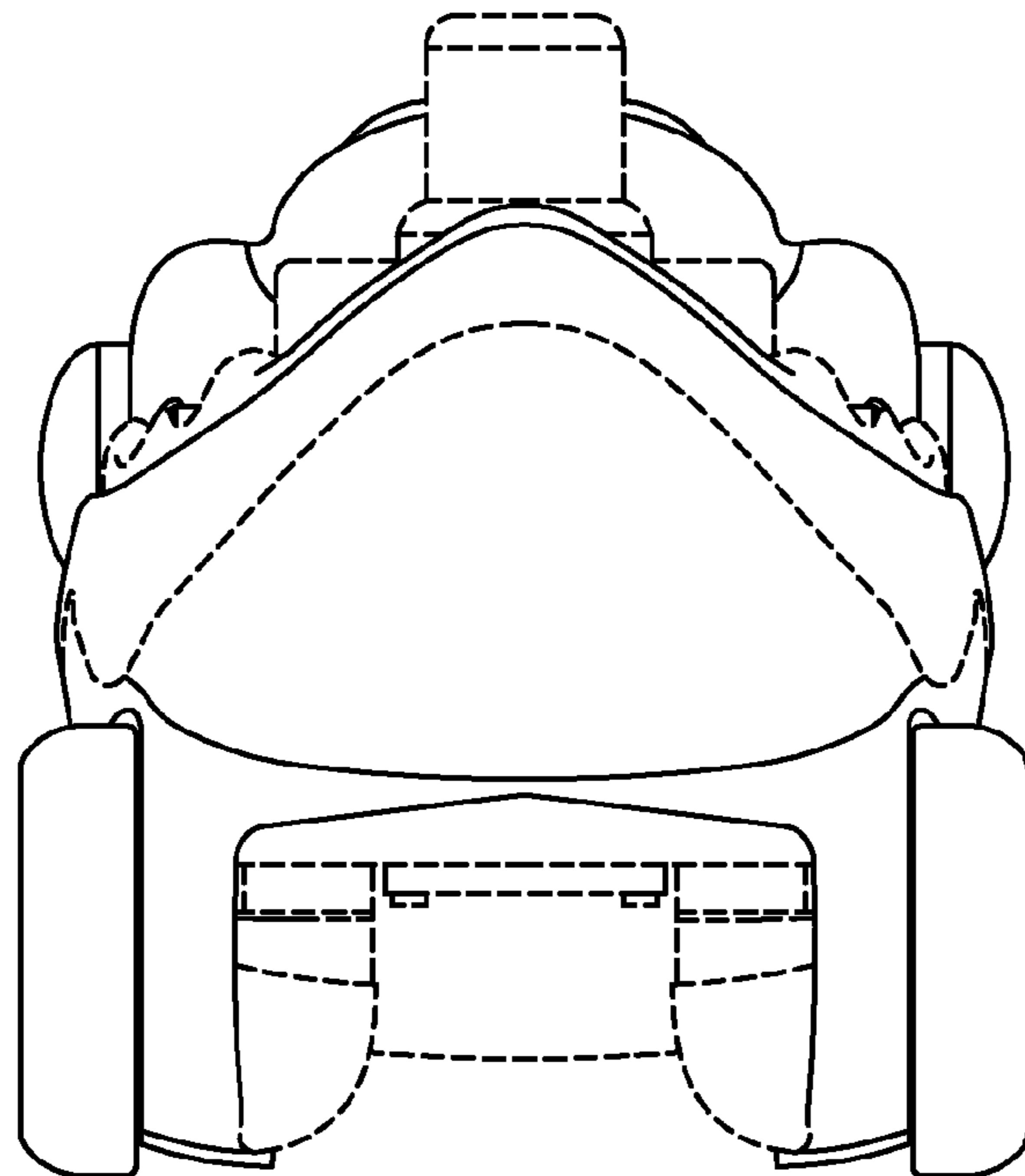


FIG.3

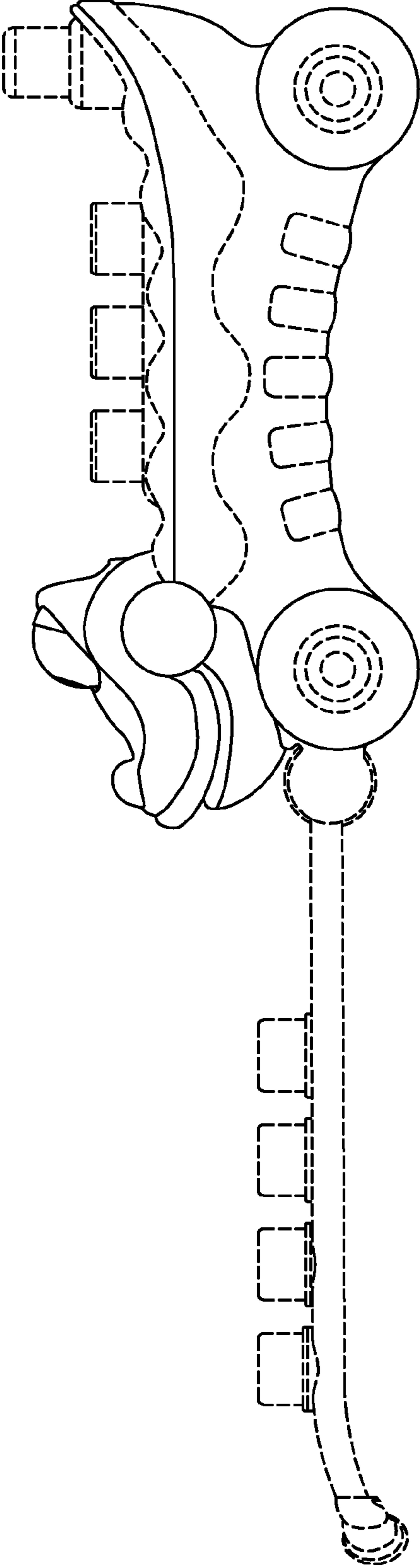


FIG.4

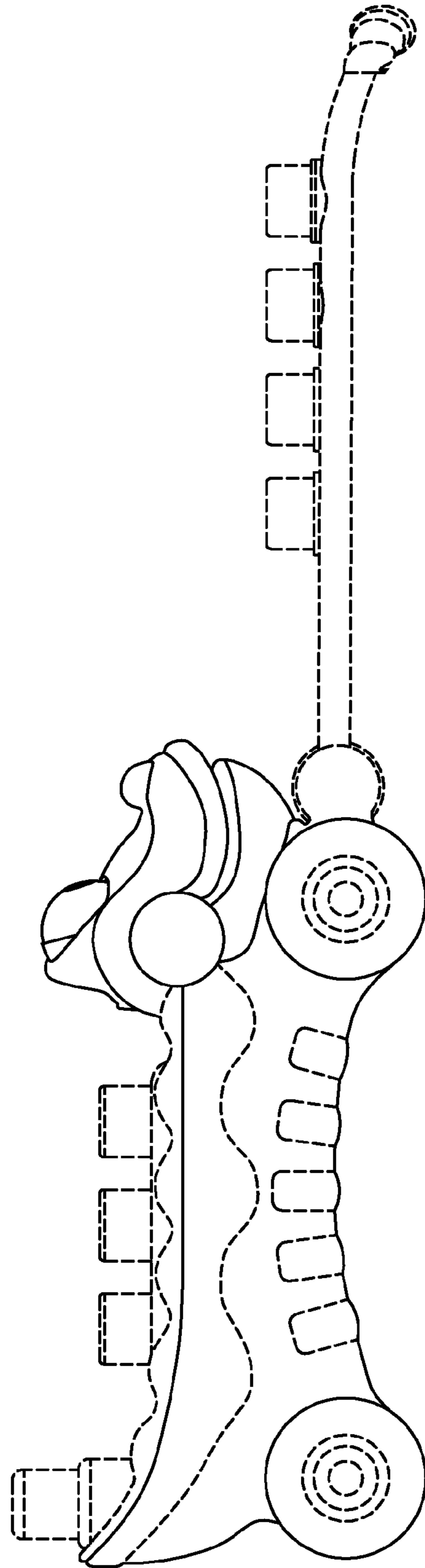


FIG.5



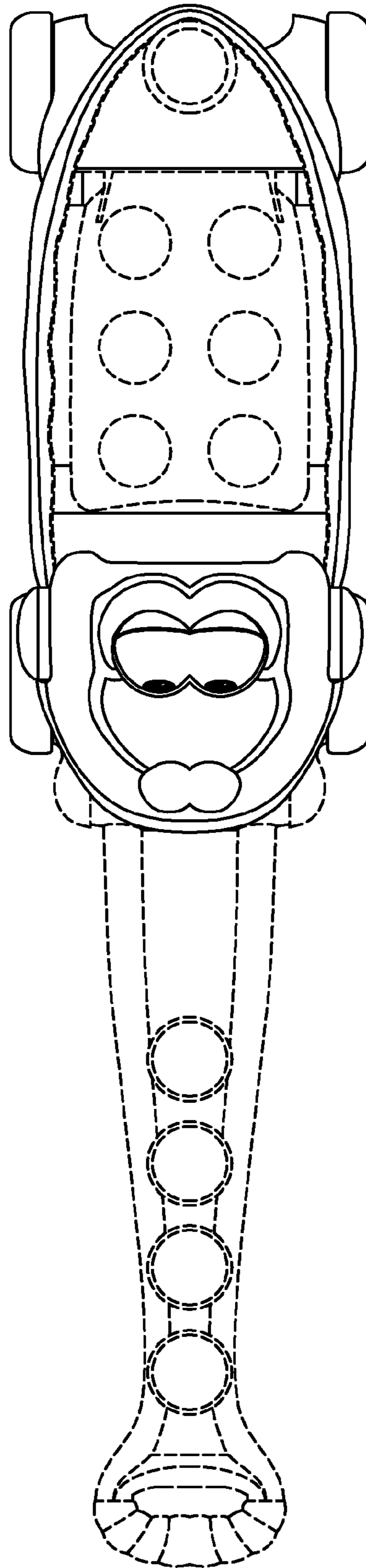


FIG.6

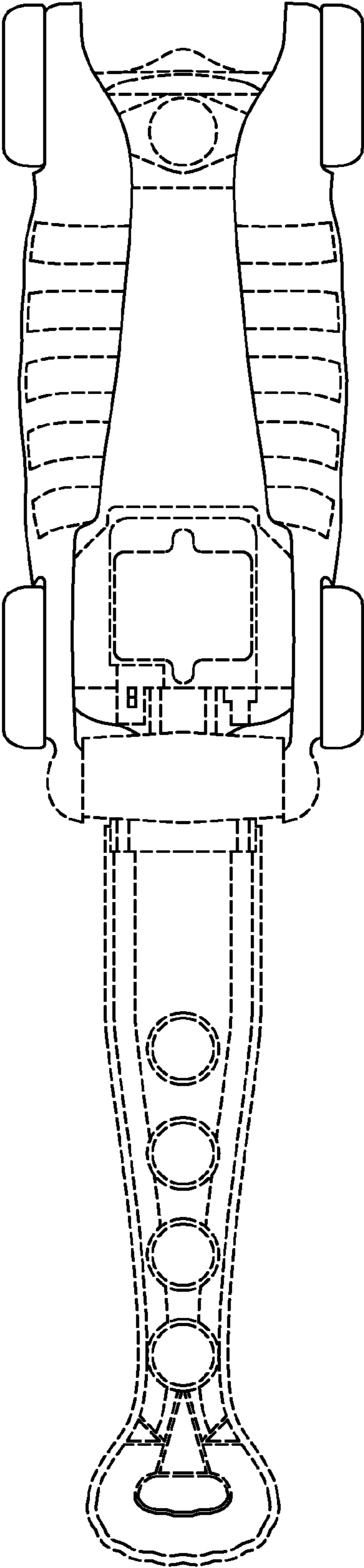


FIG.7