



US00D671173S

(12) **United States Design Patent**  
**Tompkin**

(10) **Patent No.:** **US D671,173 S**  
(45) **Date of Patent:** **\*\* Nov. 20, 2012**

(54) **BICYCLE**

(75) Inventor: **Crispian Tompkin**, Los Angeles, CA  
(US)  
(73) Assignee: **MerchSource, LLC**, Foothill Ranch, CA  
(US)

(\*\*) Term: **14 Years**

(21) Appl. No.: **29/400,537**

(22) Filed: **Aug. 30, 2011**

(51) **LOC (9) Cl.** ..... **21-01**  
(52) **U.S. Cl.** ..... **D21/432; D12/111**  
(58) **Field of Classification Search** ..... D21/412,  
D21/414, 419, 423-428, 431-435; D12/1,  
D12/107, 110-114, 129, 130, 133; 280/87.01,  
280/87.021, 87.05, 87.051, 47.17, 47.25,  
280/47.34, 47.38, 47.4, 827, 828, 29, 200,  
280/259, 263, 270, 282, 288.4, 291, 293;  
297/5; 482/68

See application file for complete search history.

(56) **References Cited**

**U.S. PATENT DOCUMENTS**

1,333,292	A *	3/1920	Case	.....	280/259
D346,412	S *	4/1994	Chou	.....	D21/424
D387,703	S *	12/1997	Thuma	.....	D12/107
D504,845	S *	5/2005	Coerschulte	.....	D12/111
D512,664	S	12/2005	Schreier		
D537,758	S *	3/2007	Grepper	.....	D12/111
D547,390	S *	7/2007	Johnson et al.	.....	D21/424
D561,649	S *	2/2008	Latham	.....	D12/111
D567,149	S *	4/2008	Grepper	.....	D12/111
D597,146	S *	7/2009	Verlinden	.....	D21/424
D597,147	S *	7/2009	Verlinden	.....	D21/424
D629,049	S *	12/2010	McFarland	.....	D21/419
D659,597	S *	5/2012	Chen	.....	D12/111
2007/0238585	A1	10/2007	Mondello et al.		

**OTHER PUBLICATIONS**

Skuut; Skuut Balance Bike; Amazon.com; [http://www.amazon.com/Skuut-Balance-Bike/dp/B000O8OUUY/ref=sr\\_1\\_5?ie=UTF8&qid=1343836136&sr=8-5keywords=children%27s+wooden+balance+bike](http://www.amazon.com/Skuut-Balance-Bike/dp/B000O8OUUY/ref=sr_1_5?ie=UTF8&qid=1343836136&sr=8-5keywords=children%27s+wooden+balance+bike); Admitted Prior Art; Undated.  
Zum; Zum Wood Balance Bike; Amazon.com; [http://www.amazon.com/Zum-Wood-Balance-Bike/dp/B0041OBVH2/ref=sr\\_1\\_5?s=toys-and-games&ie=UTF8&qid=1343843574&sr=1-52&keywords=children%27s+wooden+balance+bike](http://www.amazon.com/Zum-Wood-Balance-Bike/dp/B0041OBVH2/ref=sr_1_5?s=toys-and-games&ie=UTF8&qid=1343843574&sr=1-52&keywords=children%27s+wooden+balance+bike); Admitted Prior Art; Undated.

\* cited by examiner

*Primary Examiner* — Cynthia M Chin  
(74) *Attorney, Agent, or Firm* — The Eclipse Group LLP

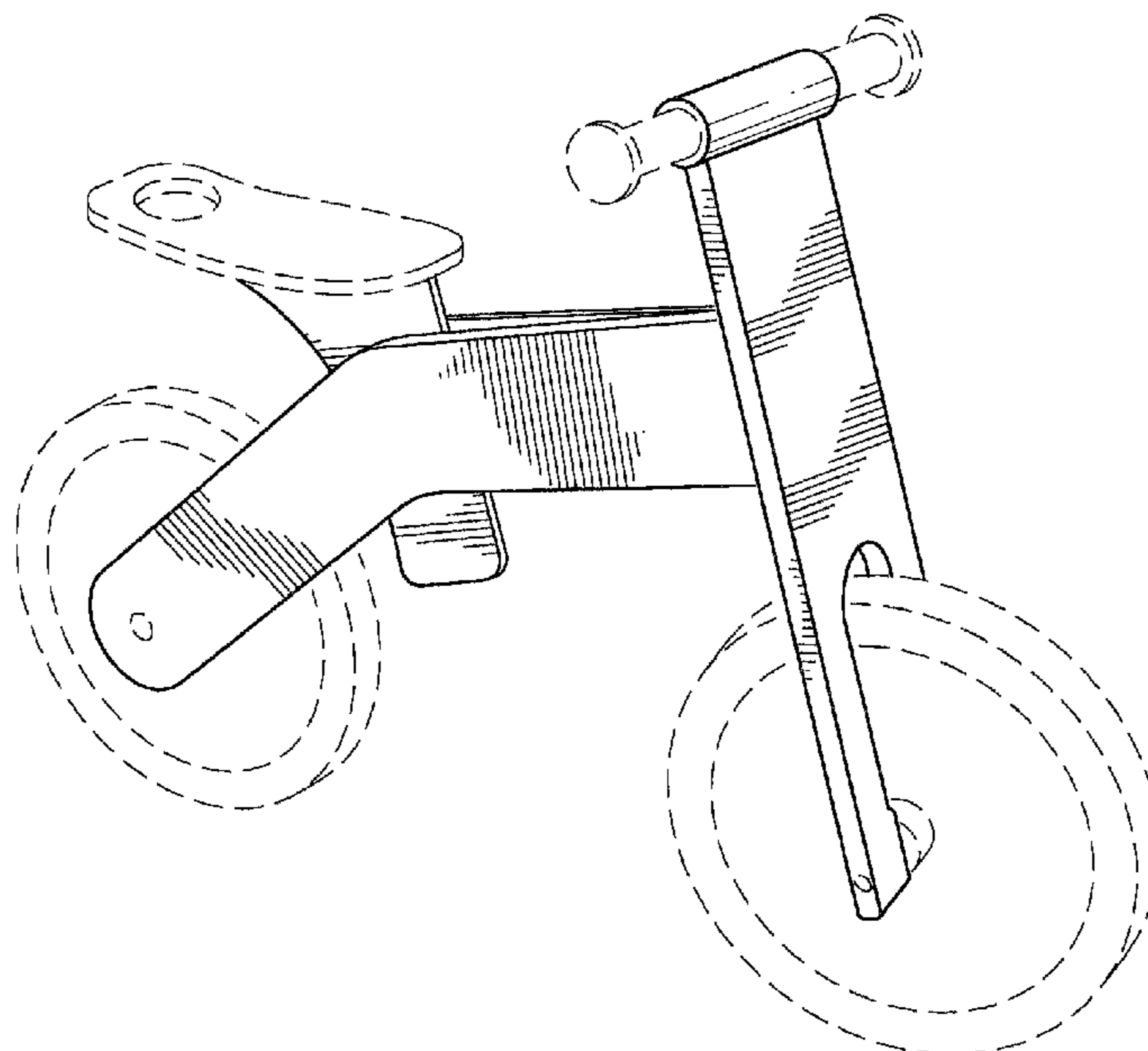
(57) **CLAIM**

I claim the ornamental design for a bicycle, as shown and described.

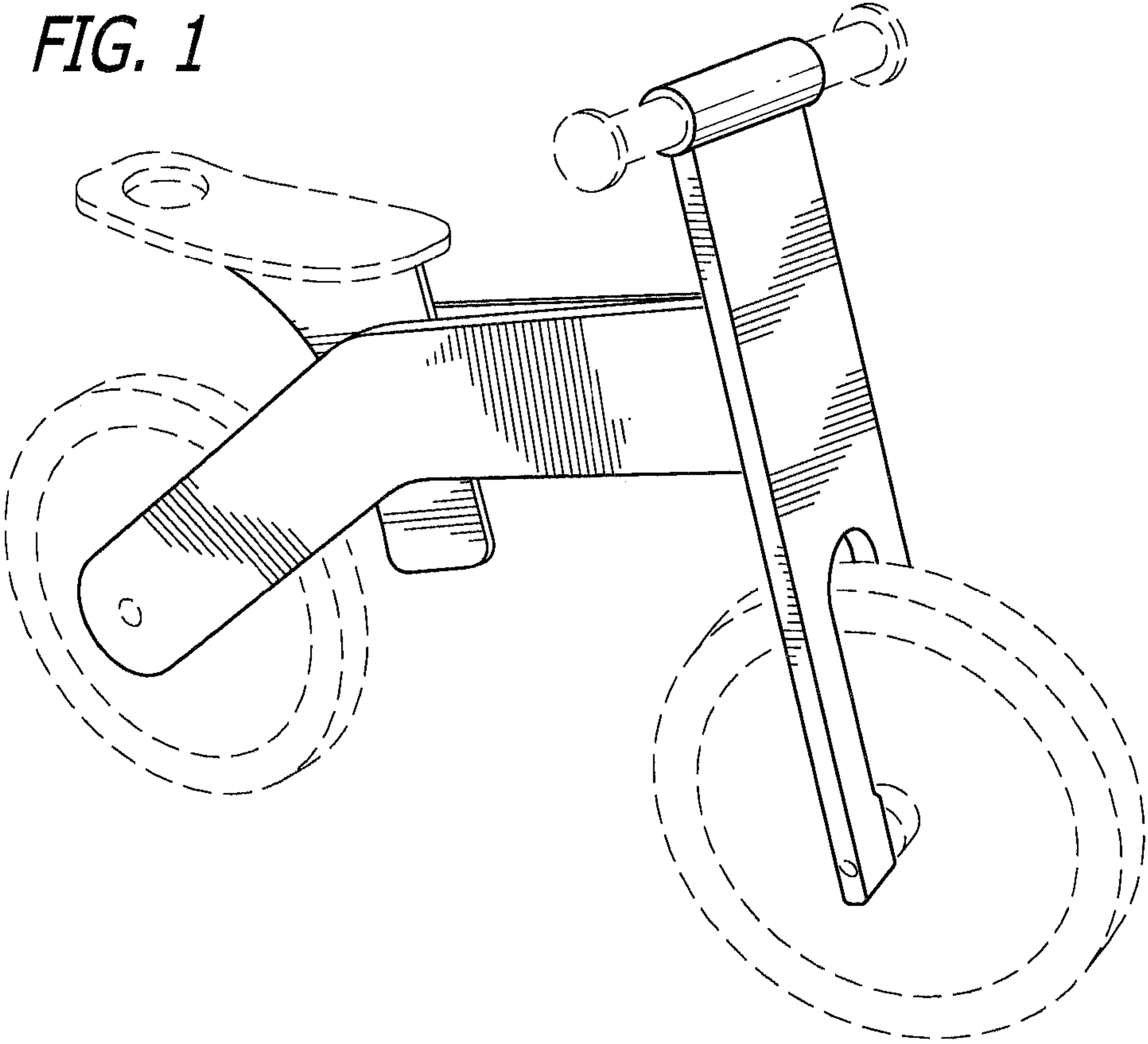
**DESCRIPTION**

FIG. 1 is a perspective view of the right side of a bicycle.  
FIG. 2 is a front elevation view of the bicycle illustrated in FIG. 1.  
FIG. 3 is a rear elevation view of the bicycle illustrated in FIG. 1.  
FIG. 4 is an elevation view of the left side of the bicycle illustrated in FIG. 1.  
FIG. 5 is an elevation view of the right side of the bicycle illustrated in FIG. 1.  
FIG. 6 is a top view of the bicycle illustrated in FIG. 1; and, FIG. 7 is a bottom view of the bicycle illustrated in FIG. 1.  
The broken lines shown in the figures represent portions of the bicycle that form no part of the claimed design.

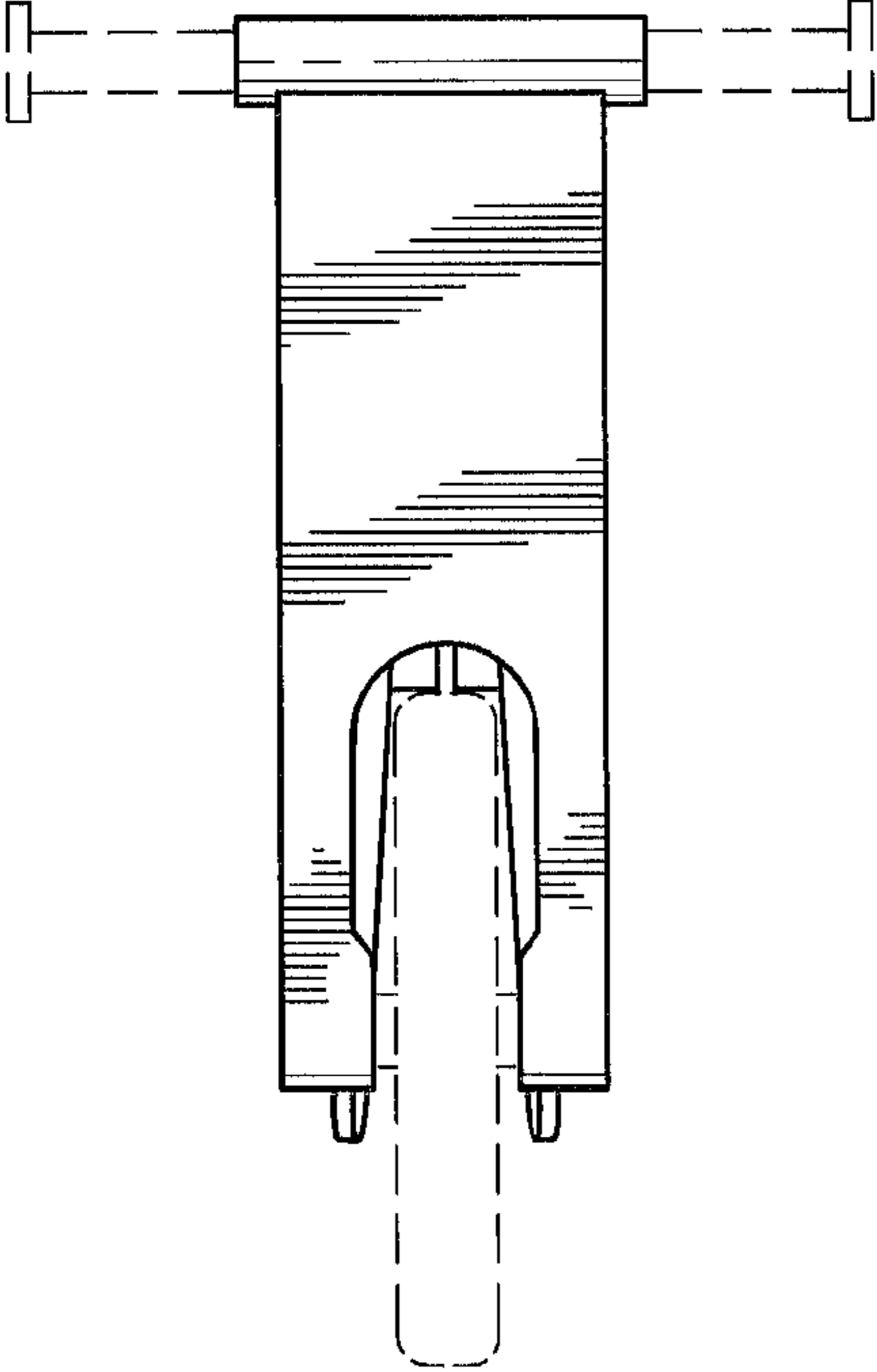
**1 Claim, 3 Drawing Sheets**



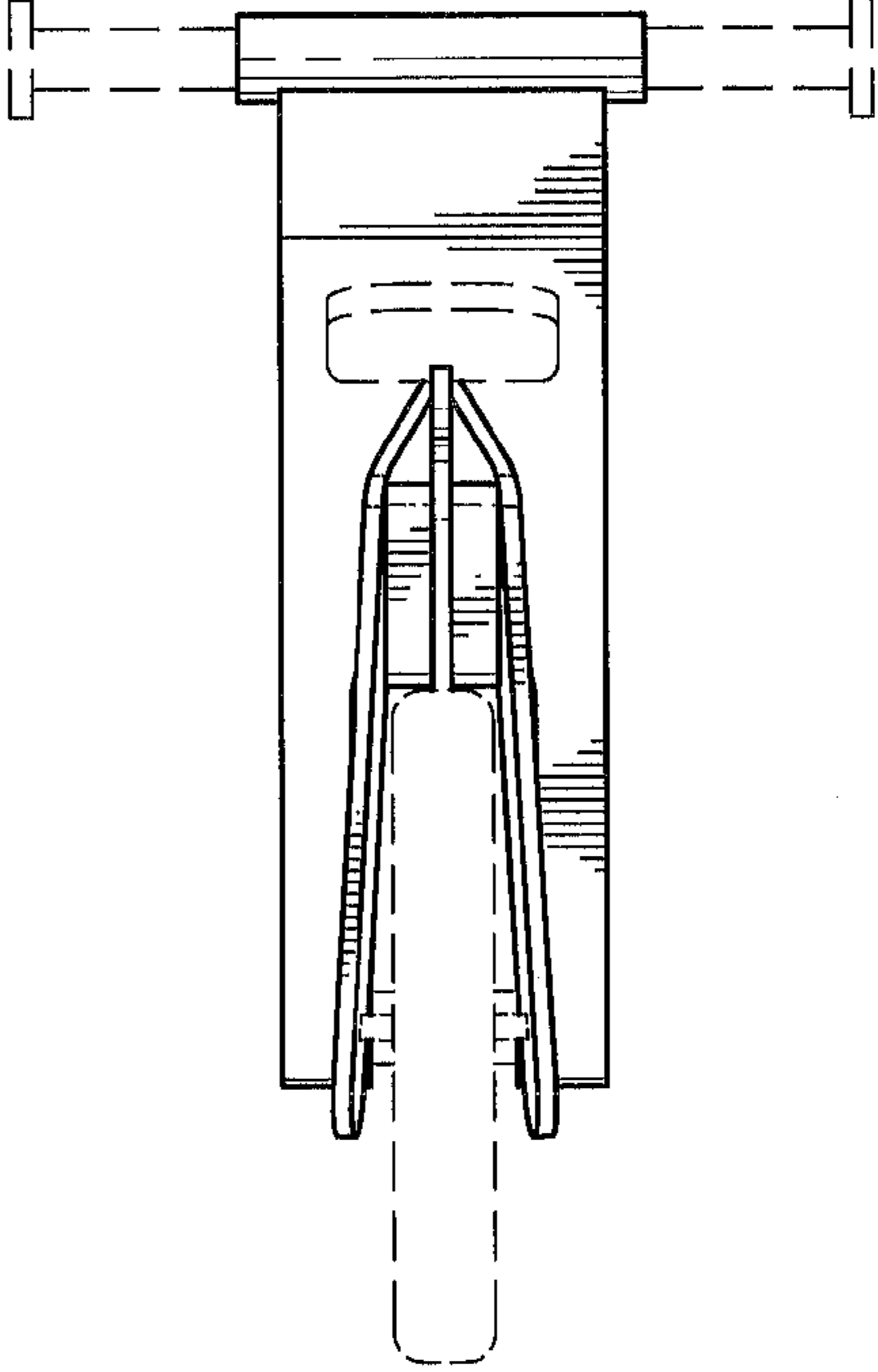
*FIG. 1*



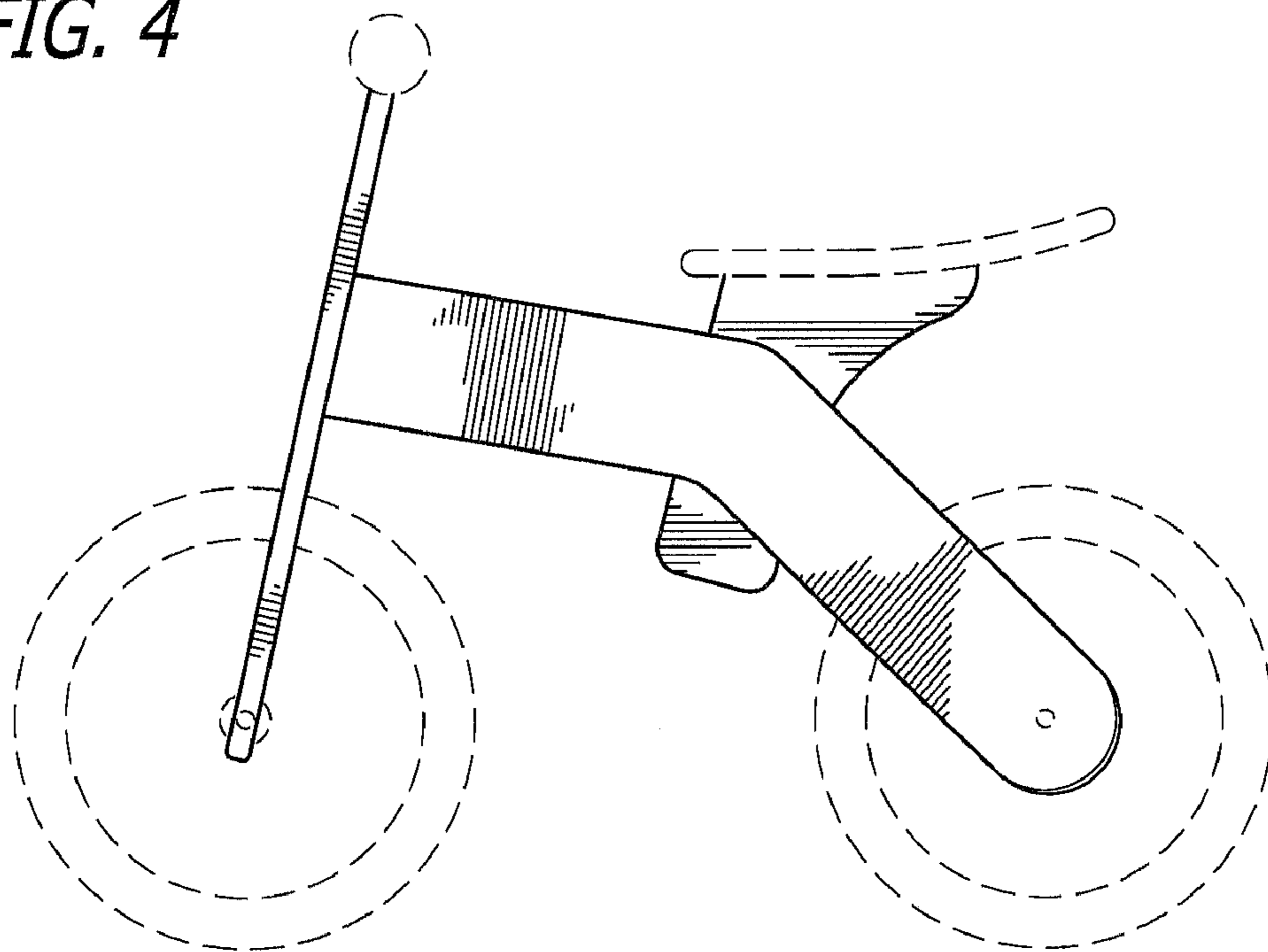
*FIG. 2*



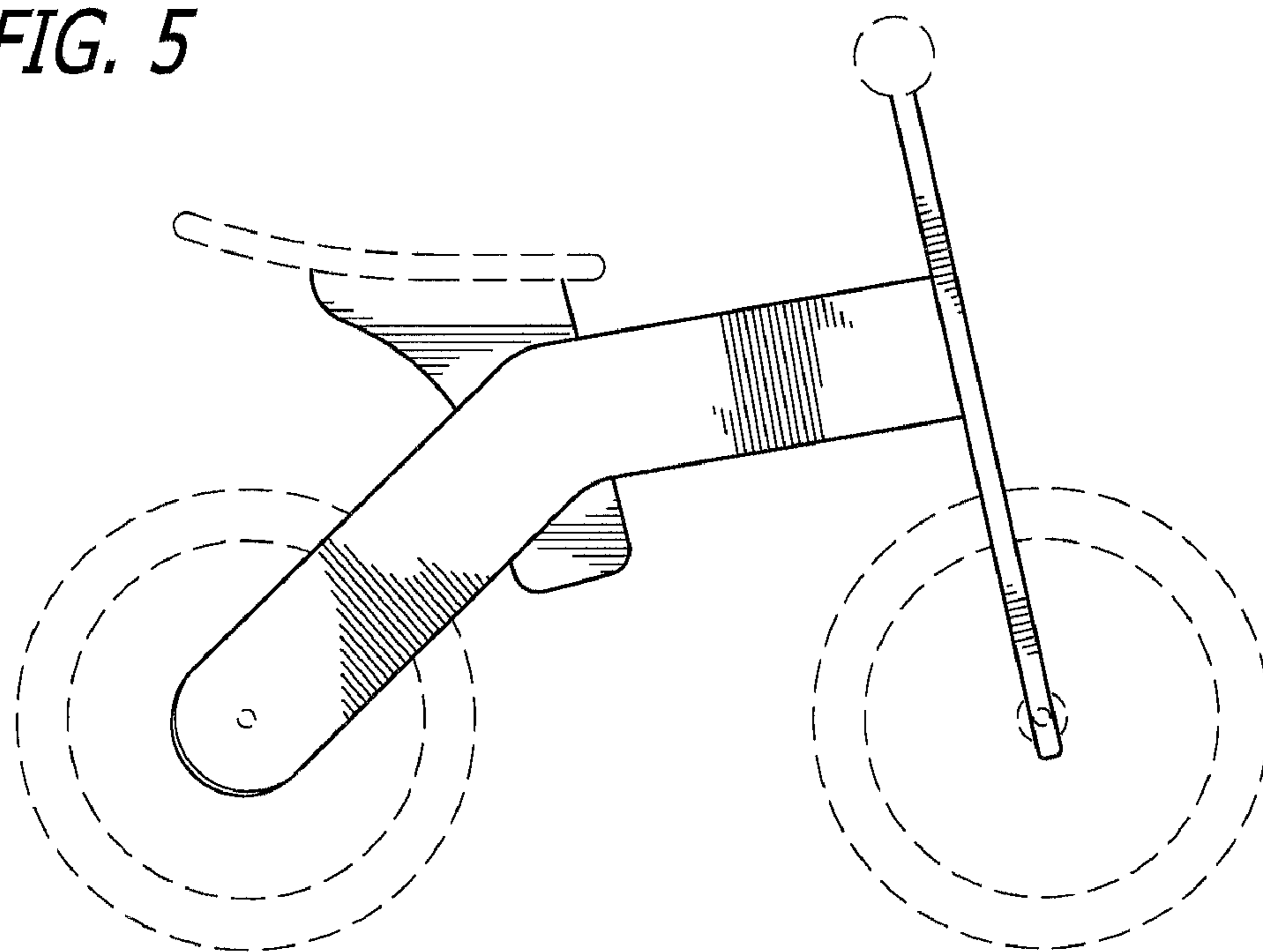
*FIG. 3*



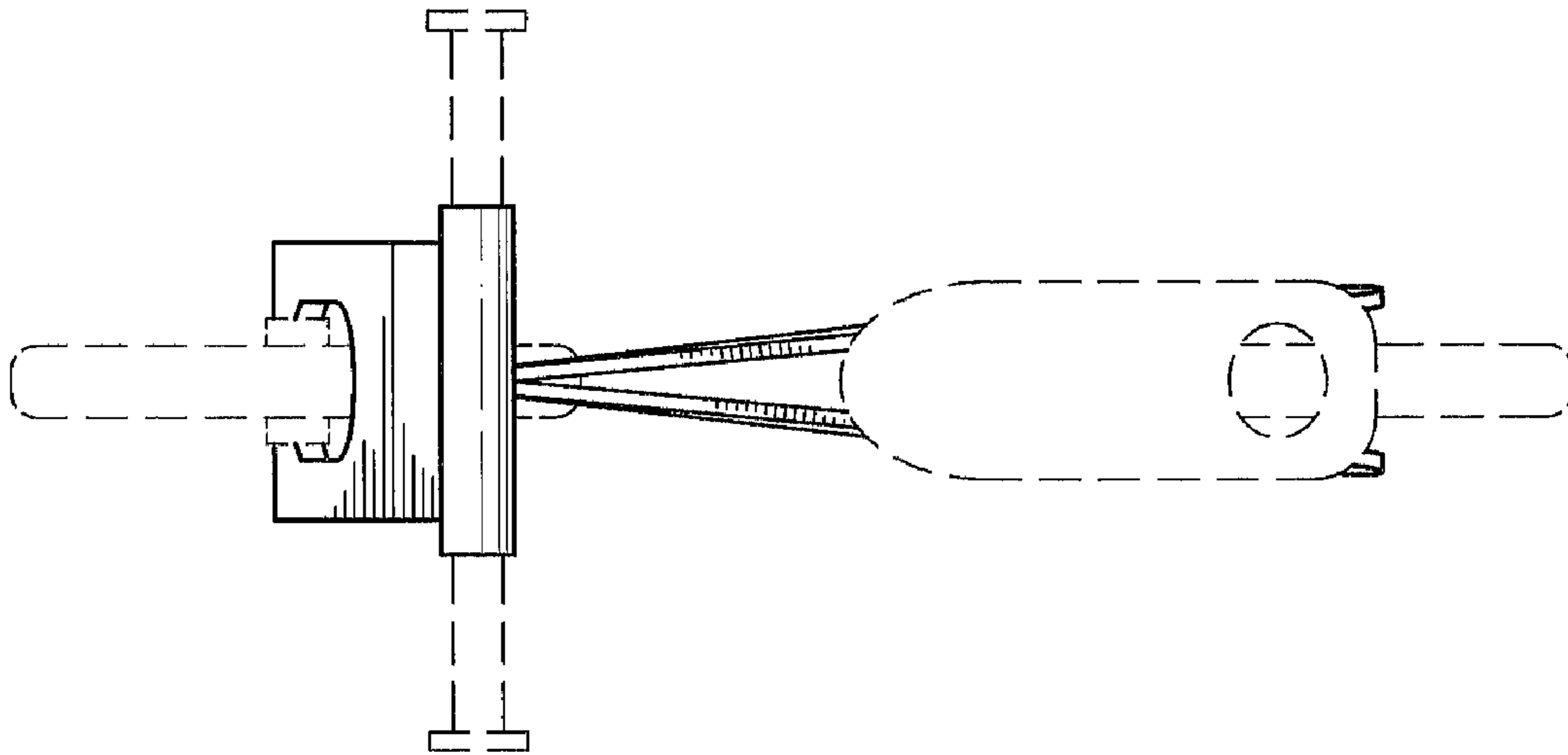
**FIG. 4**



**FIG. 5**



*FIG. 6*



*FIG. 7*

