



US00D671170S

(12) **United States Design Patent**  
**Udagawa et al.**

(10) **Patent No.:** **US D671,170 S**

(45) **Date of Patent:** **\*\* Nov. 20, 2012**

(54) **MARKER BOARD**

(75) Inventors: **Masamichi Udagawa**, New York, NY  
(US); **Sigrid Moeslinger**, New York, NY  
(US)

(73) Assignee: **Knoll, Inc.**, East Greenville, PA (US)

(\*\*) Term: **14 Years**

(21) Appl. No.: **29/423,941**

(22) Filed: **Jun. 6, 2012**

(51) **LOC (9) Cl.** ..... **19-06**

(52) **U.S. Cl.** ..... **D19/52**

(58) **Field of Classification Search** ..... D6/300,  
D6/310, 449; D14/336, 371, 374; D19/52;  
D20/10, 27, 39, 40, 42; 40/581, 584, 611.01;  
312/230; 345/173; 434/408, 410, 415; 211/118,  
211/198; 248/441.1, 450

See application file for complete search history.

(56) **References Cited**

**U.S. PATENT DOCUMENTS**

3,017,969 A \* 1/1962 Nielsen ..... 52/239  
3,336,682 A \* 8/1967 Genin ..... 434/416  
3,702,033 A \* 11/1972 Coleman ..... 40/541

4,727,431 A \* 2/1988 Nakamura et al. .... 358/401  
4,752,803 A \* 6/1988 Sakurai et al. .... 399/1  
D300,041 S \* 2/1989 Kurozumi et al. .... D18/36  
D300,149 S \* 3/1989 Yamada et al. .... D18/36  
D300,150 S \* 3/1989 Ishii ..... D18/36  
4,905,040 A \* 2/1990 Nagai et al. .... 355/43  
5,529,501 A \* 6/1996 Maruyama ..... 434/408  
D380,232 S \* 6/1997 Egan et al. .... D20/10  
D401,625 S \* 11/1998 Verbeek ..... D19/52  
7,635,214 B2 \* 12/2009 Perlo ..... 362/559  
D627,394 S \* 11/2010 Nakayama et al. .... D19/52  
D627,824 S \* 11/2010 Nakayama et al. .... D19/52

\* cited by examiner

*Primary Examiner* — Elizabeth Albert

(74) *Attorney, Agent, or Firm* — Buchanan Ingersoll &  
Rooney PC

(57) **CLAIM**

The ornamental design for a marker board, as shown and  
described.

**DESCRIPTION**

FIG. 1 is a perspective view of a marker board showing our  
new design;

FIG. 2 is a front elevational view thereof;

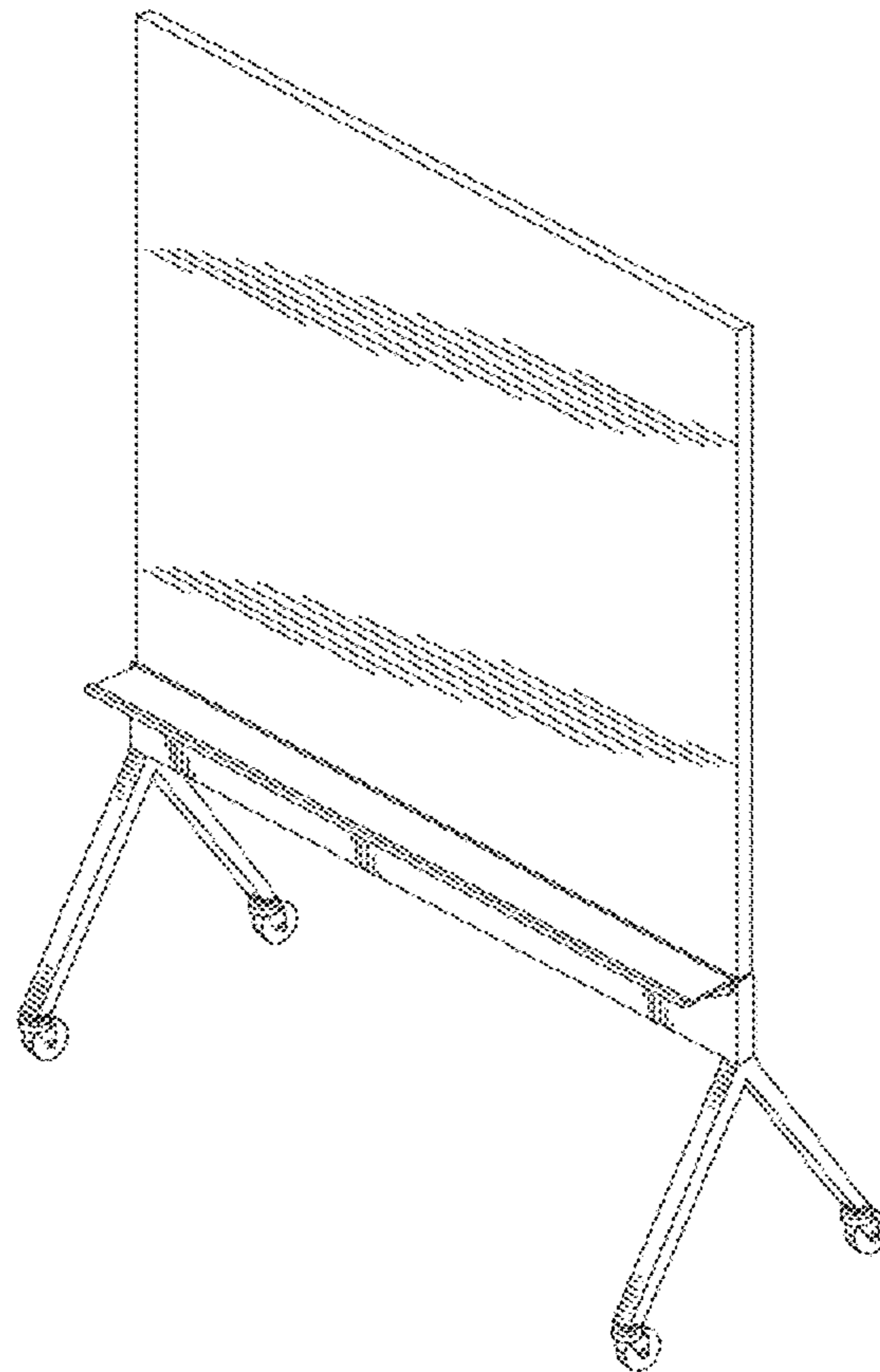
FIG. 3 is a rear elevational view thereof;

FIG. 4 is a left side elevational view thereof;

FIG. 5 is a right side elevational view thereof; and,

FIG. 6 is a top plan view thereof.

**1 Claim, 5 Drawing Sheets**



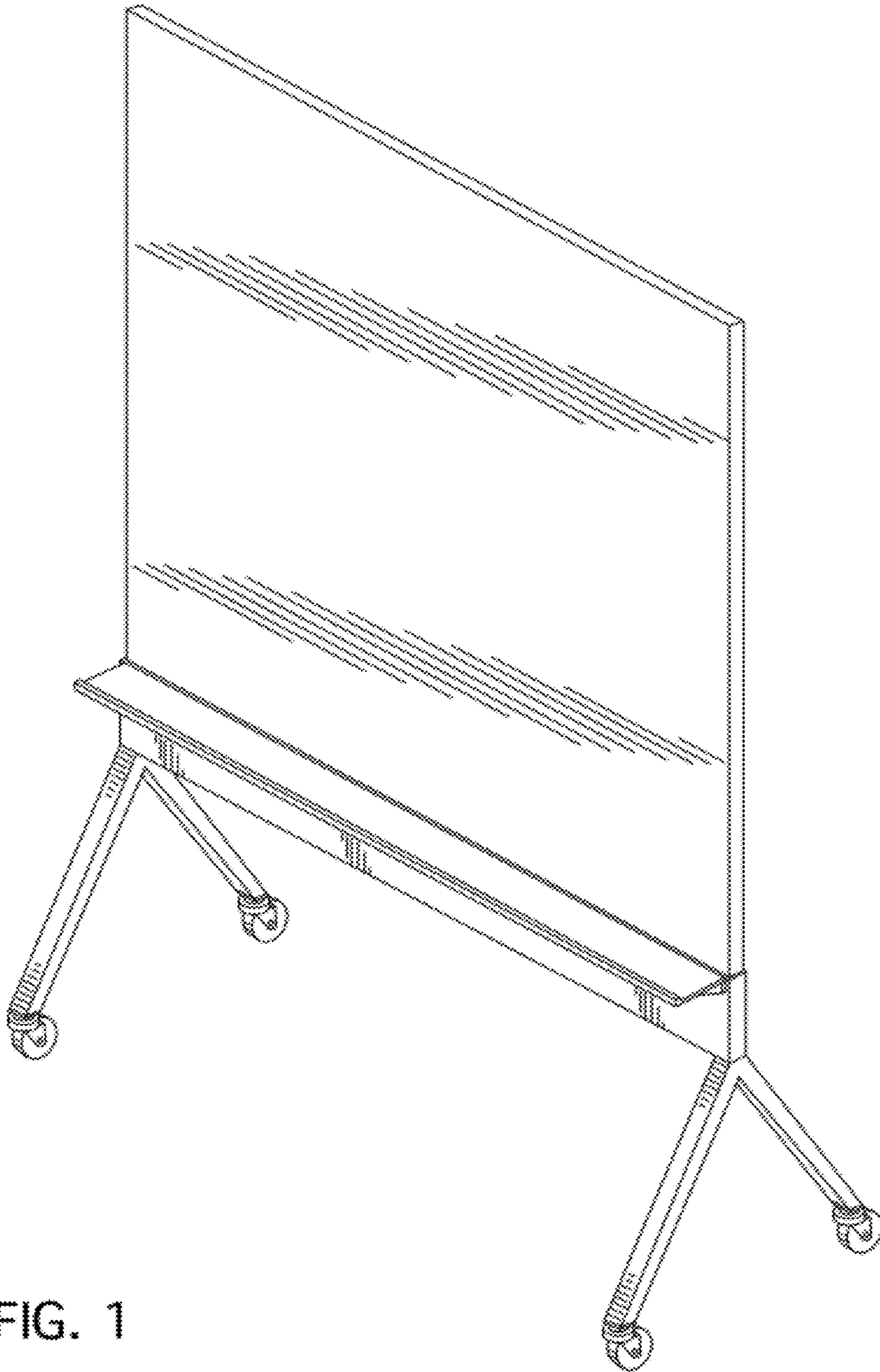


FIG. 1

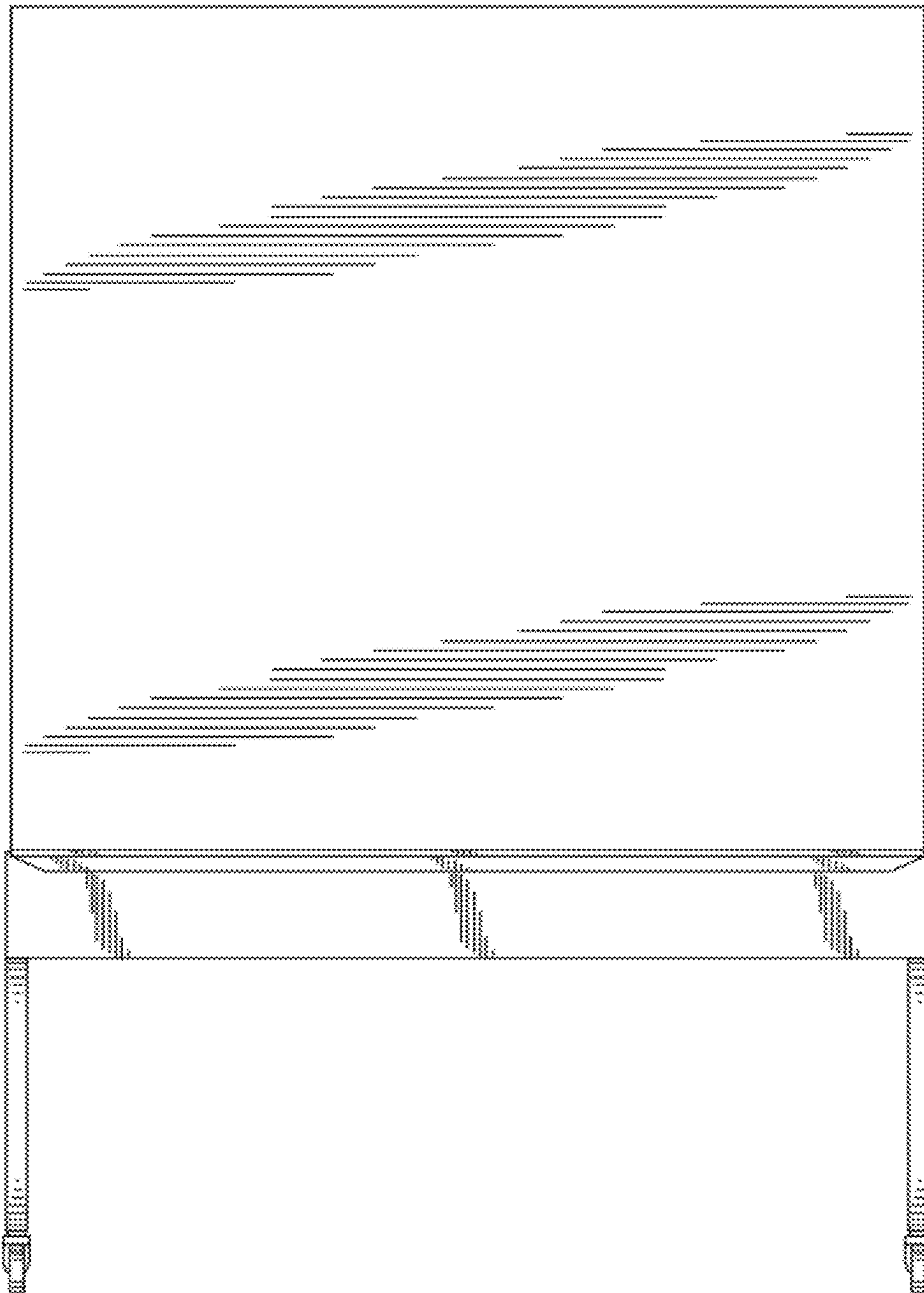


FIG. 2

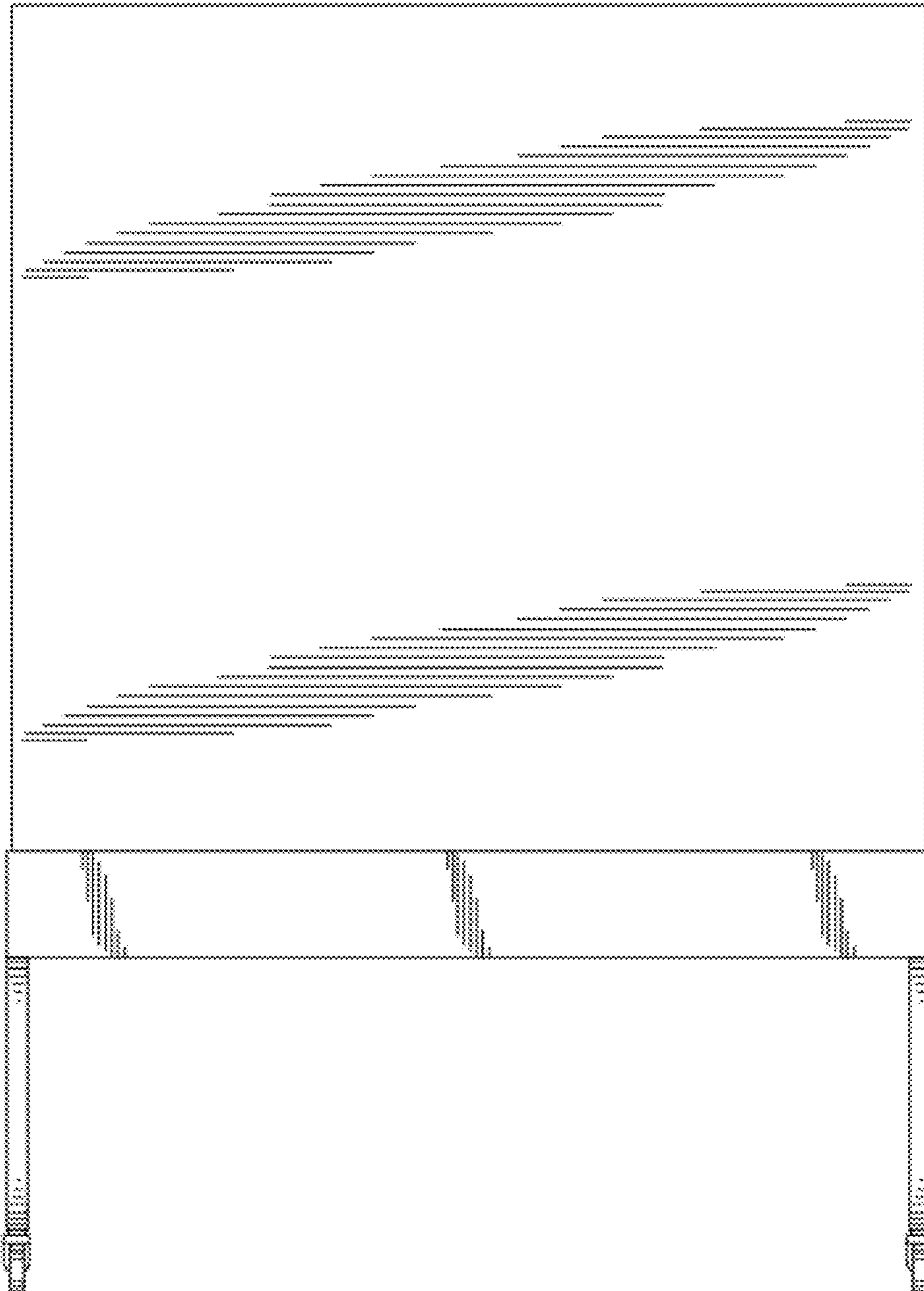


FIG. 3

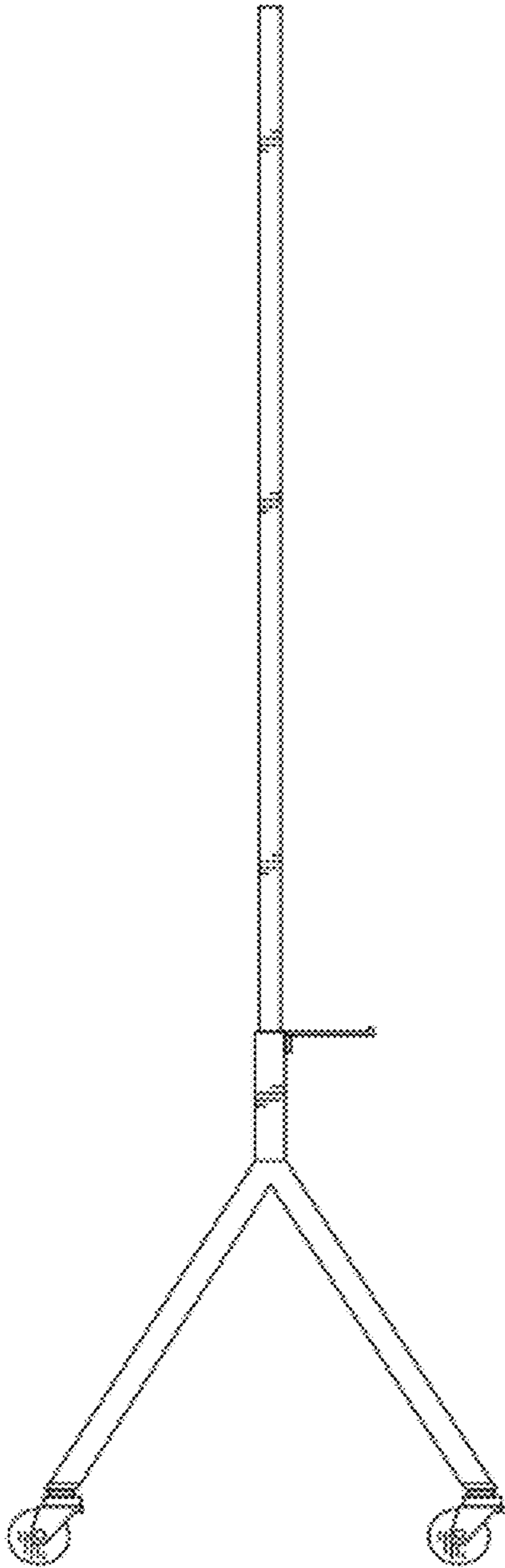


FIG. 4

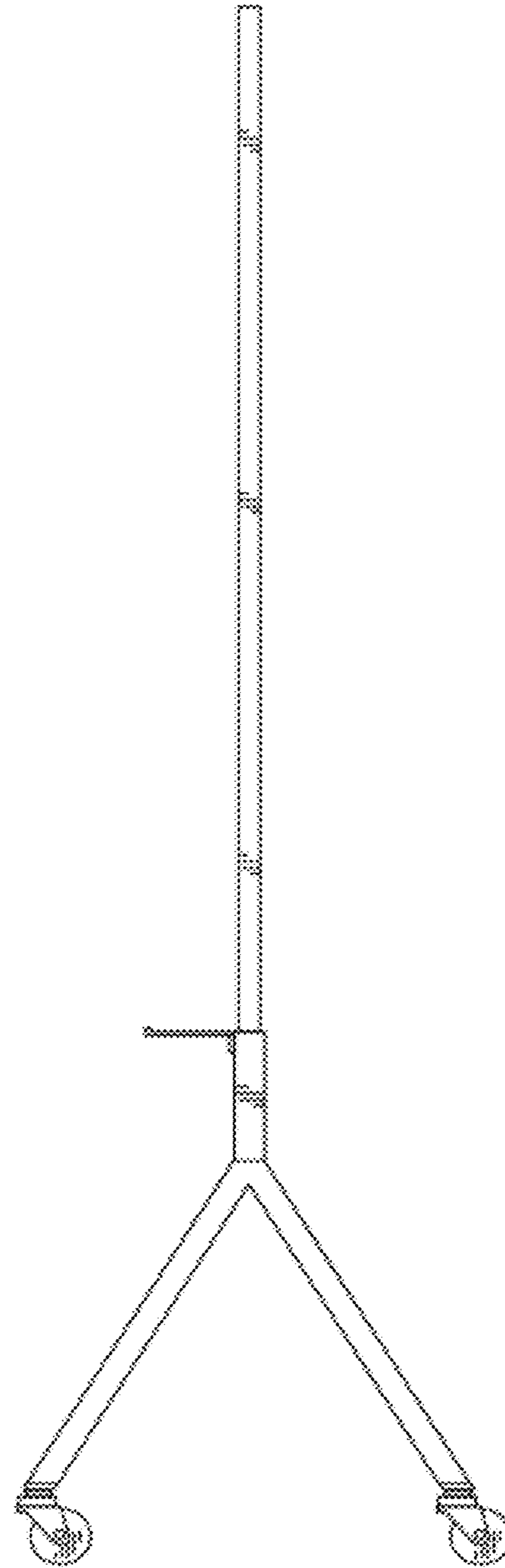


FIG. 5

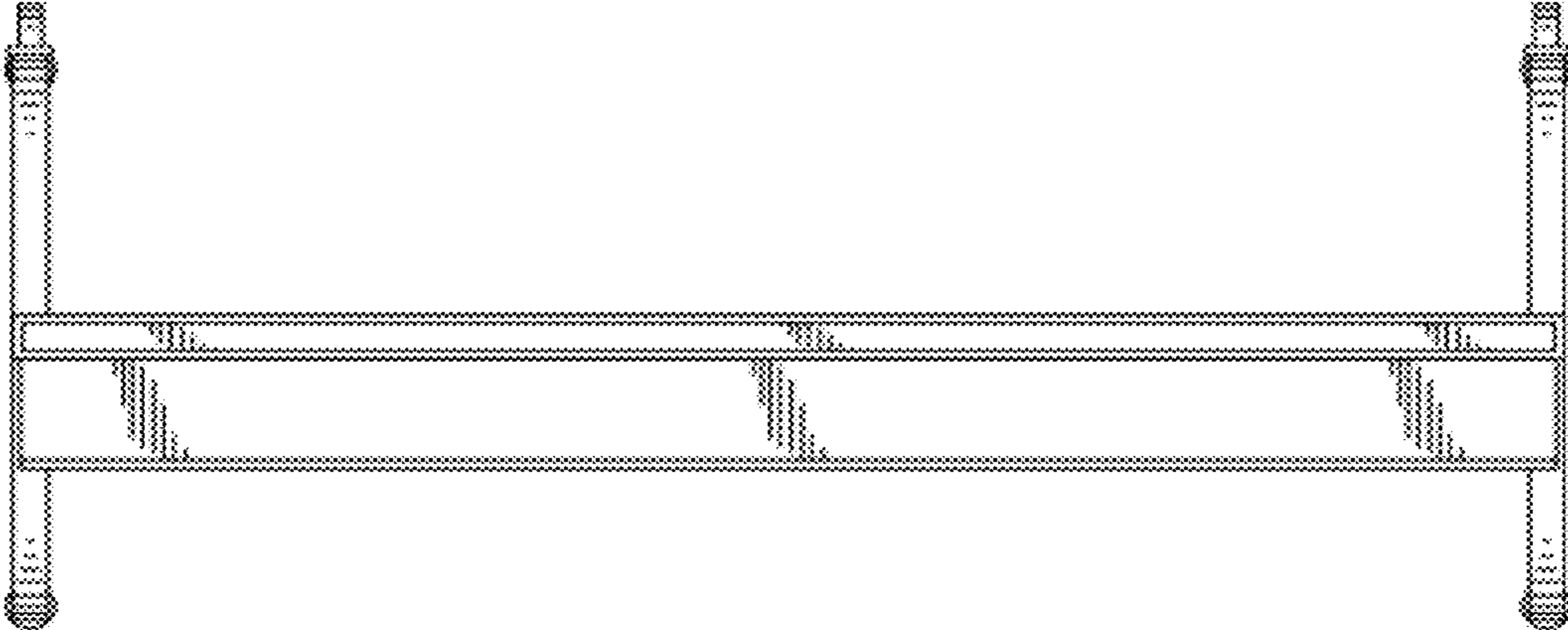


FIG. 6