

US00D671165S

(12) **United States Design Patent**  
**Kobayashi et al.**

(10) **Patent No.:** **US D671,165 S**

(45) **Date of Patent:** **\*\* Nov. 20, 2012**

(54) **INK RIBBON CASSETTE FOR PRINTER**

(75) Inventors: **Yuu Kobayashi**, Kawasaki (JP); **Ryoji Okuno**, Yokohama (JP)

(73) Assignee: **Canon Kabushiki Kaisha**, Tokyo (JP)

(\*\*) Term: **14 Years**

(21) Appl. No.: **29/381,191**

(22) Filed: **Dec. 16, 2010**

(30) **Foreign Application Priority Data**

Jul. 26, 2010 (JP) ..... 2010-018025

(51) **LOC (9) Cl.** ..... **18-02**

(52) **U.S. Cl.** ..... **D18/56**

(58) **Field of Classification Search** ..... D18/12,  
D18/43, 56; 400/194-196, 207-208, 234,  
400/235.1, 247; 360/132

See application file for complete search history.

(56) **References Cited**

**U.S. PATENT DOCUMENTS**

D332,275 S \* 1/1993 Katsuno ..... D18/56  
D446,239 S \* 8/2001 Funaki ..... D18/12  
D521,052 S \* 5/2006 Tu ..... D18/12

D539,842 S \* 4/2007 Minami et al. .... D18/56  
D541,854 S \* 5/2007 Motoki ..... D18/56  
D544,536 S \* 6/2007 Motoki et al. .... D18/56  
D545,358 S \* 6/2007 Motoki ..... D18/56  
D552,171 S \* 10/2007 Motoki ..... D18/56  
2010/0272489 A1 \* 10/2010 Koyama et al. .... 400/207

\* cited by examiner

*Primary Examiner* — Cathy A MacCormac

(74) *Attorney, Agent, or Firm* — Fitzpatrick, Cella, Harper & Scinto

(57) **CLAIM**

The ornamental design for an ink ribbon cassette for printer, as shown and described.

**DESCRIPTION**

FIG. 1 is a front view of an ink ribbon cassette for printer showing our new design;

FIG. 2 is a rear view thereof;

FIG. 3 is a top plan view thereof;

FIG. 4 is a bottom plan view thereof;

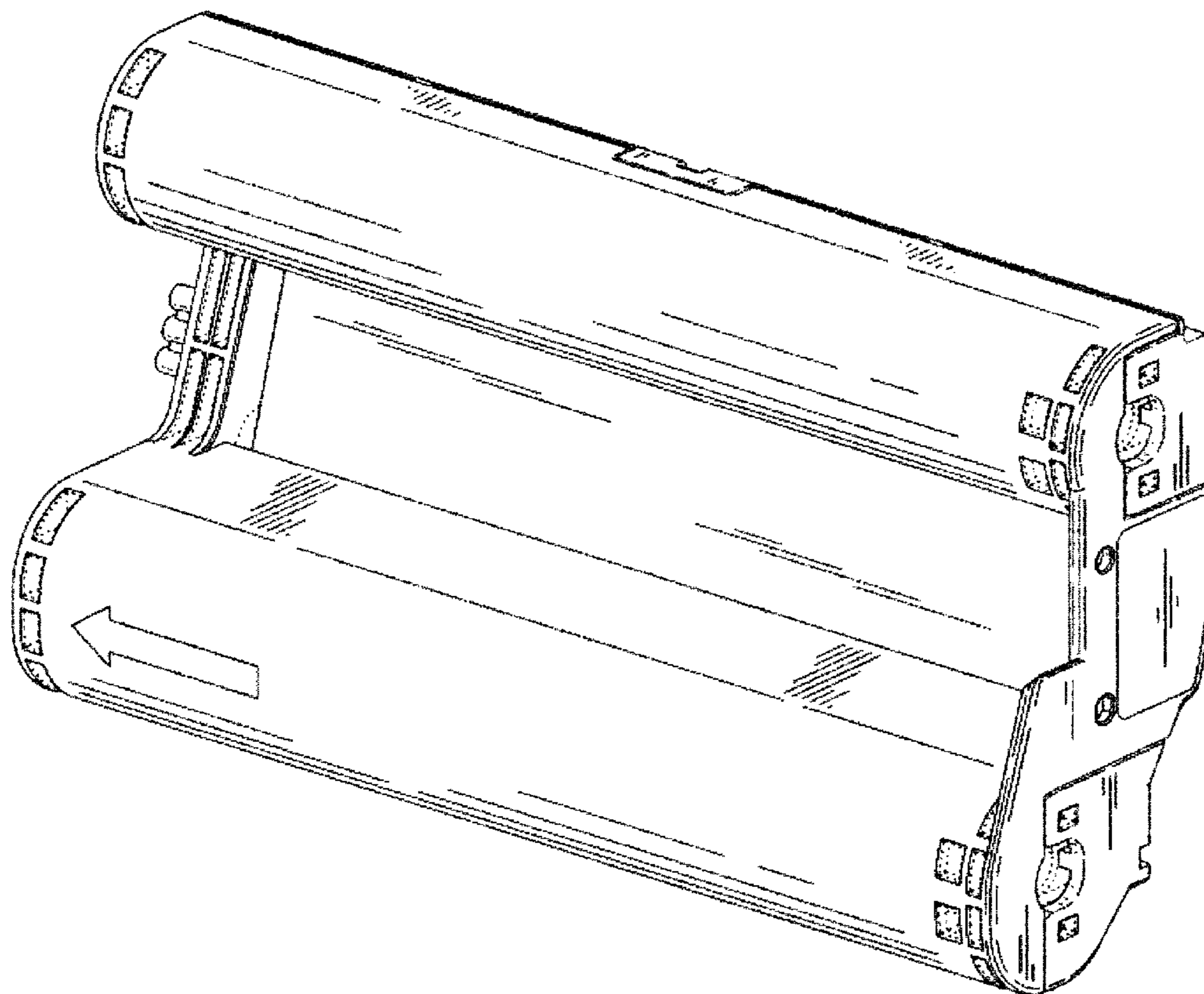
FIG. 5 is a left side view thereof;

FIG. 6 is a right side view thereof; and,

FIG. 7 is a perspective view thereof.

The broken lines are for illustration only and form no part of the claimed design.

**1 Claim, 5 Drawing Sheets**



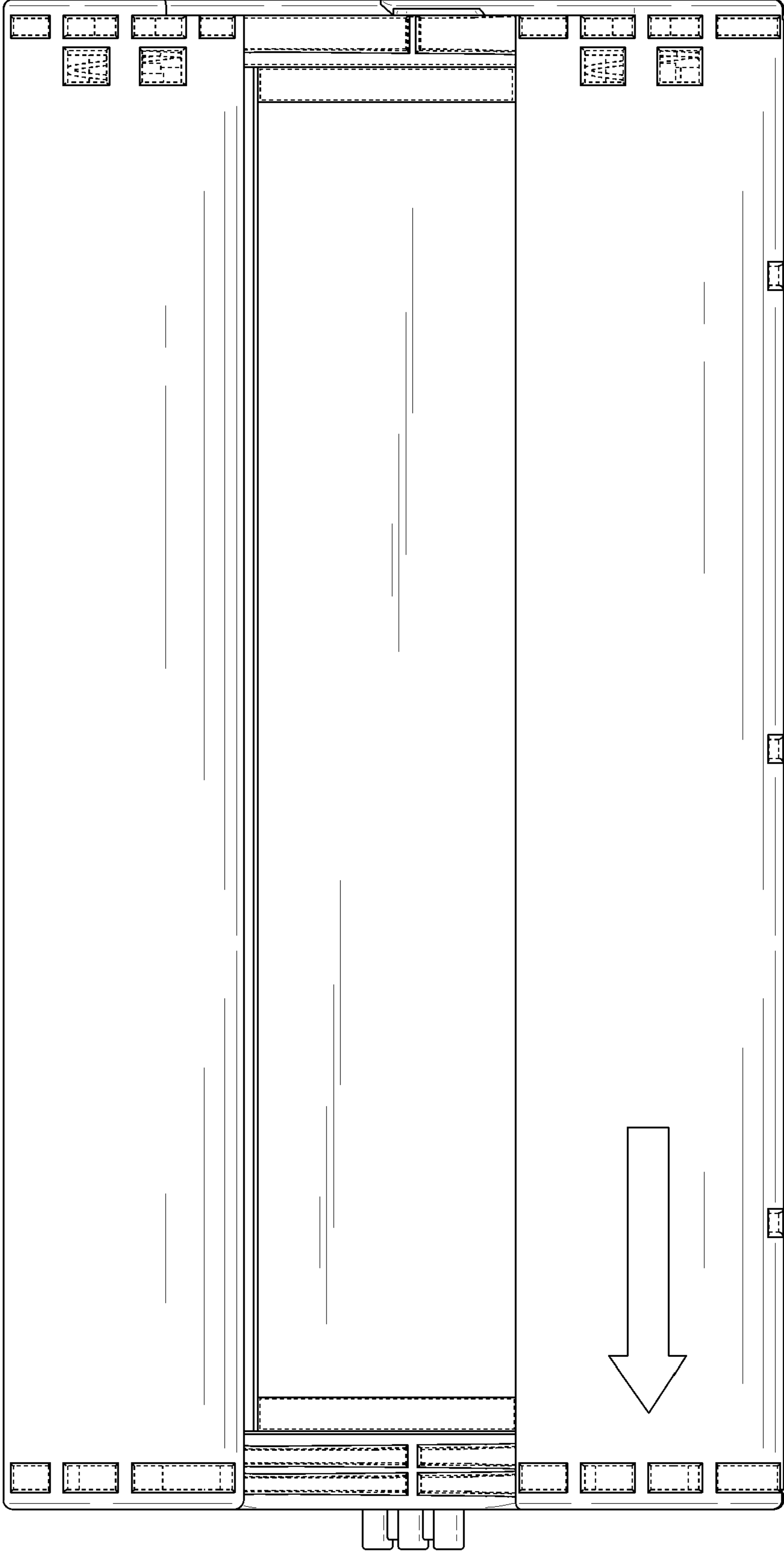


FIG. 1

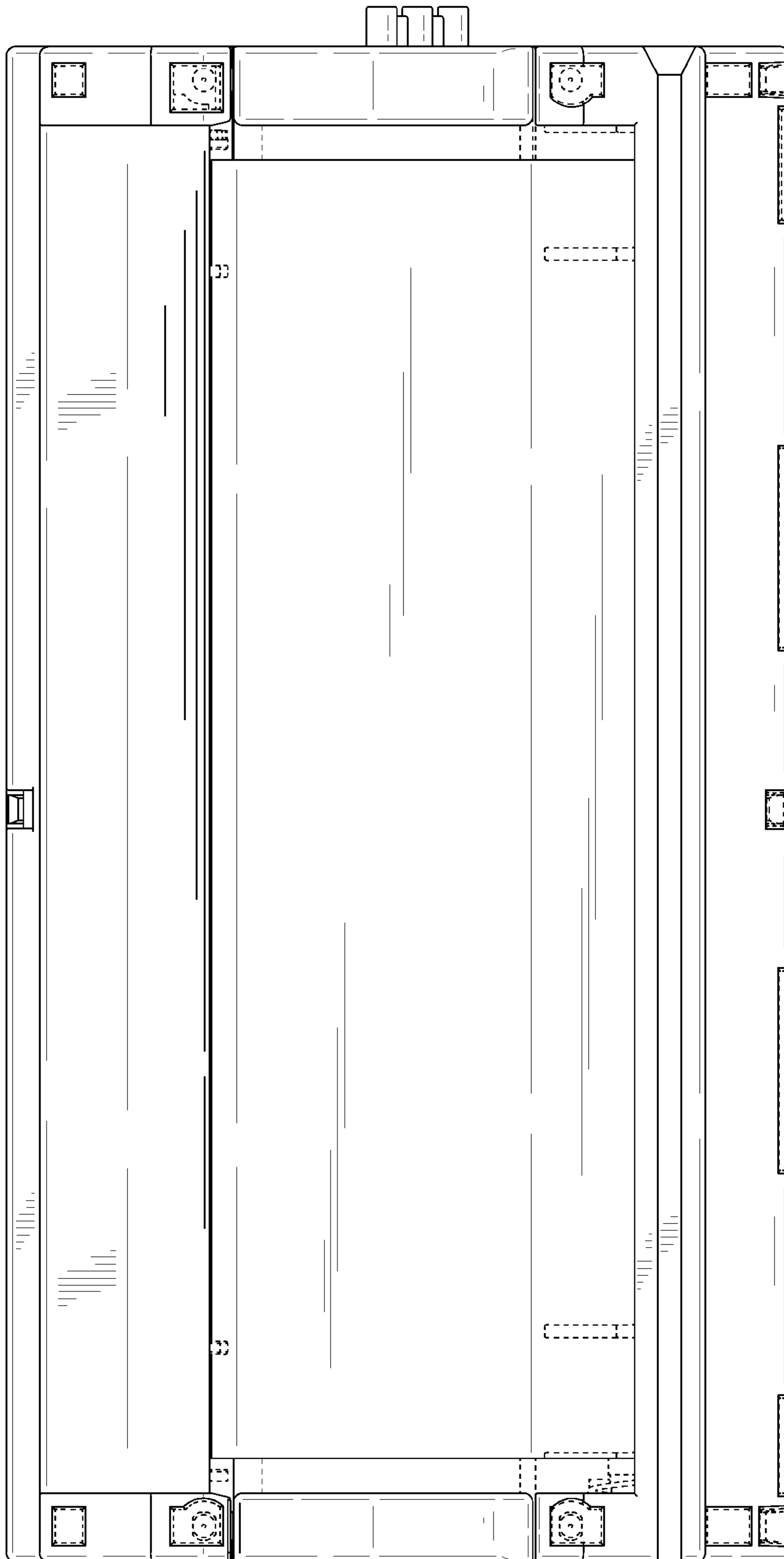


FIG. 2

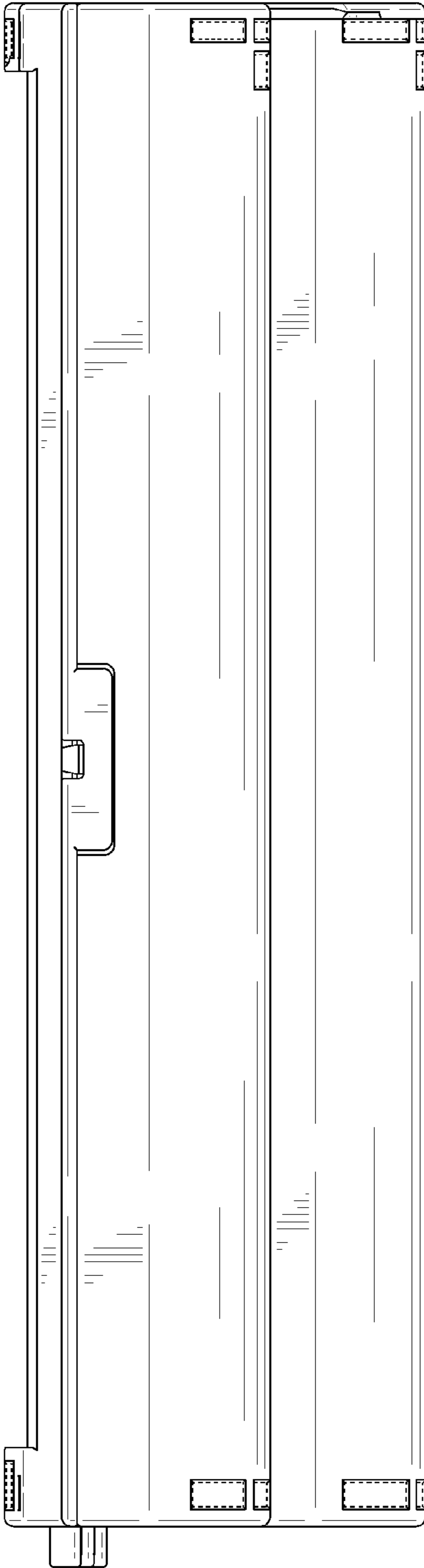


FIG. 3

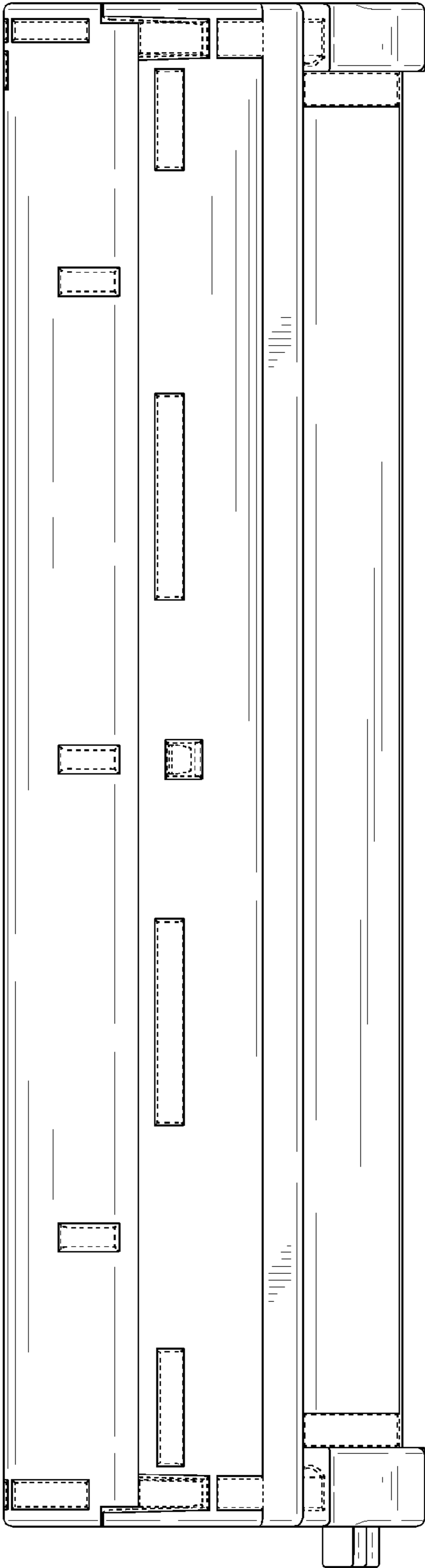


FIG. 4

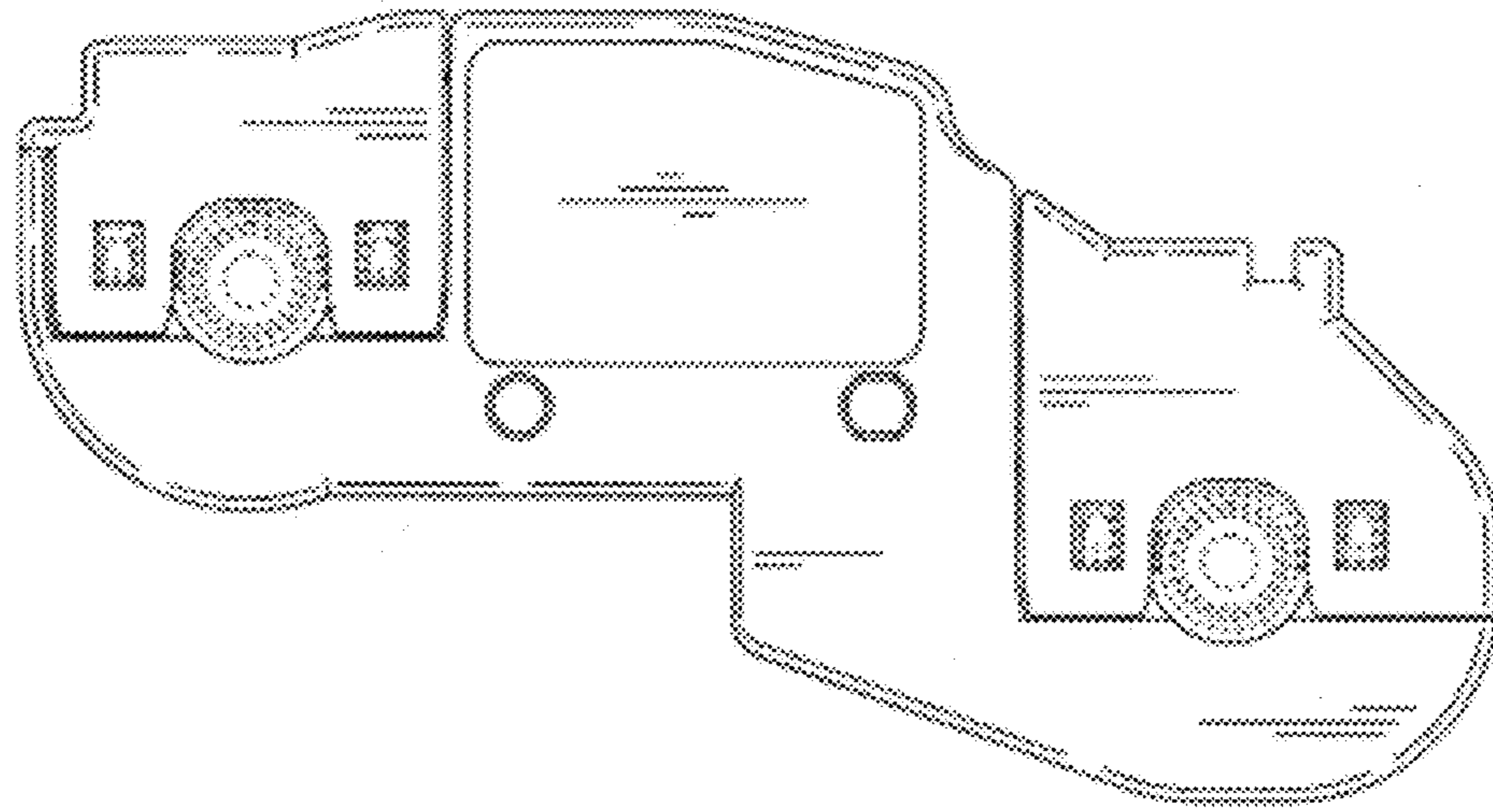


FIG. 6

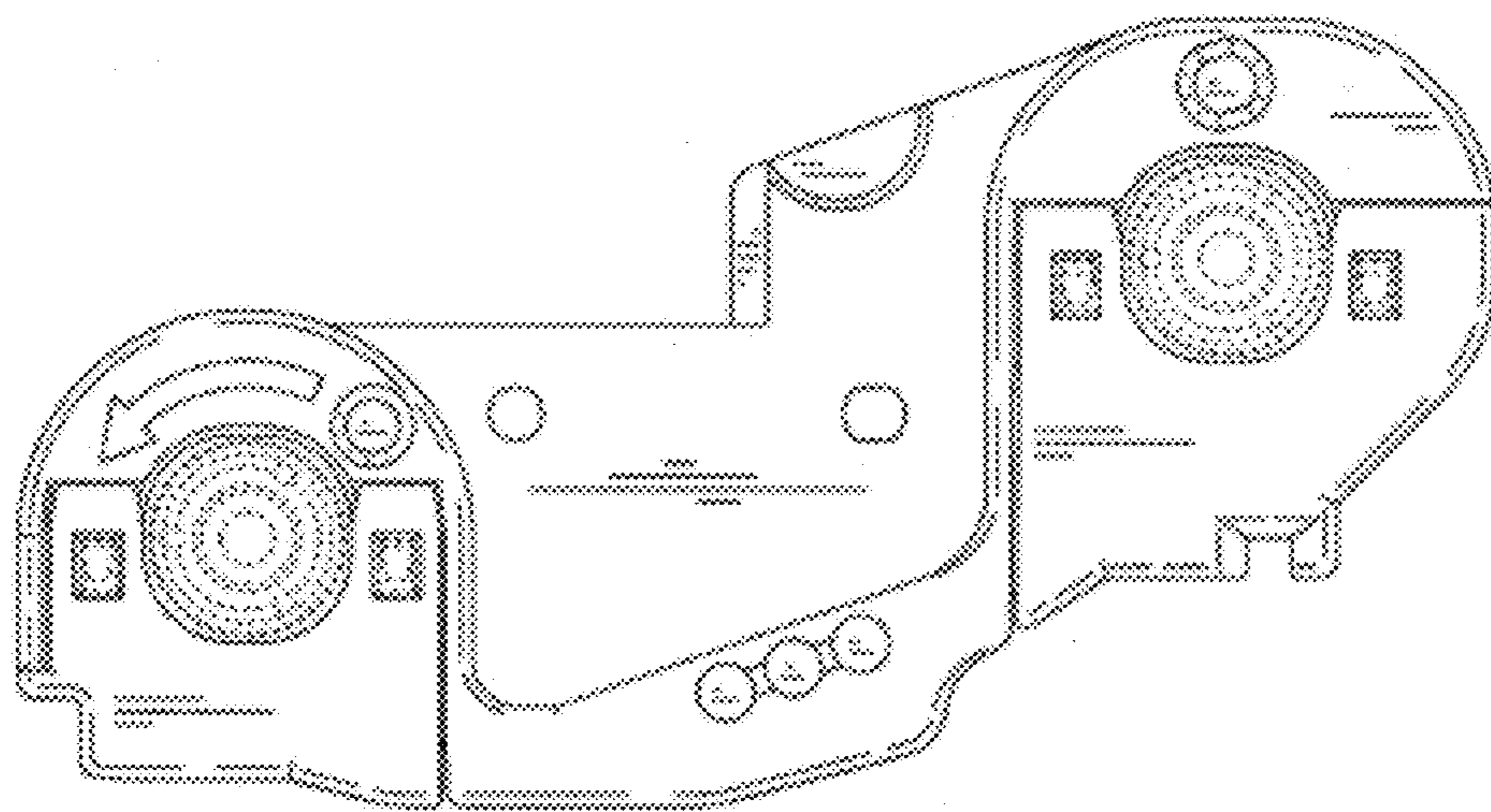


FIG. 5

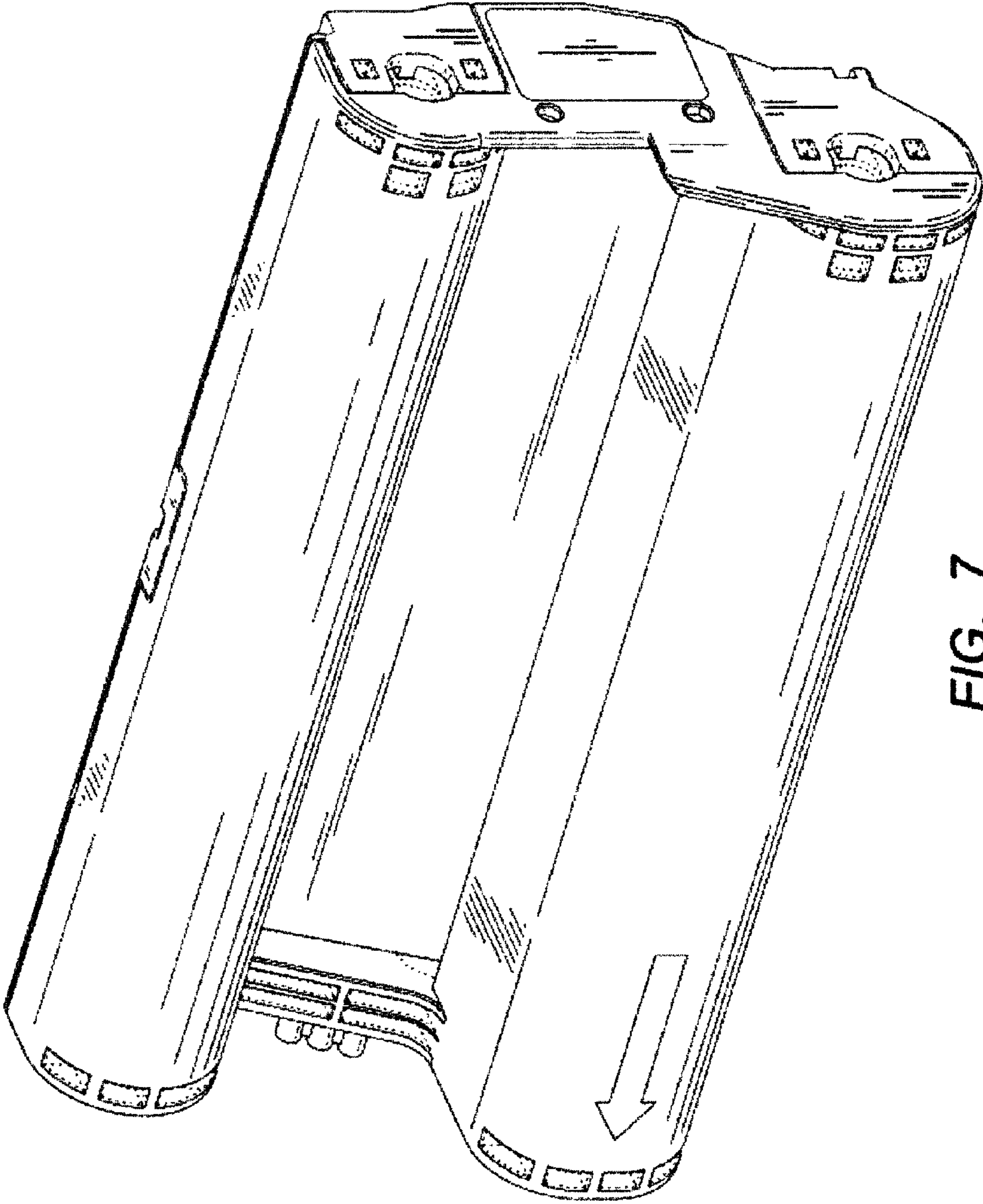


FIG. 7