



US00D671160S

(12) **United States Design Patent**
Lin

(10) **Patent No.:** **US D671,160 S**
(45) **Date of Patent:** **** Nov. 20, 2012**

(54) **PROJECTOR**

D552,656 S * 10/2007 Oota et al. D16/230
D554,173 S 10/2007 Naruki
D555,696 S 11/2007 Naruki

(75) Inventor: **Cheng-Yu Lin**, Taoyuan Hsien (TW)

(Continued)

(73) Assignee: **Delta Electronics, Inc.** (TW)

FOREIGN PATENT DOCUMENTS

(**) Term: **14 Years**

EM 001178727-0001 * 12/2009

(21) Appl. No.: **29/425,409**

(Continued)

(22) Filed: **Jun. 22, 2012**

OTHER PUBLICATIONS

Related U.S. Application Data

Office Action for Taiwanese Application No. 10021142340, mailed Dec. 21, 2011, with partial English translation.

(62) Division of application No. 29/390,795, filed on Apr. 29, 2011.

Primary Examiner — Wan Laymon

(30) **Foreign Application Priority Data**

(74) *Attorney, Agent, or Firm* — Cantor Colburn LLP

Nov. 1, 2010 (TW) 099305573

(57) **CLAIM**

(51) **LOC (9) Cl.** **16-02**

The ornamental design for a projector, as shown and described.

(52) **U.S. Cl.** **D16/230; D16/225**

DESCRIPTION

(58) **Field of Classification Search** D16/205,
D16/208, 221, 225, 230–231, 234; D21/514;
353/115, 119, 122

FIG. 1 is a perspective view of a projector showing my design;
FIG. 2 is a front elevational view of FIG. 1;
FIG. 3 is a rear elevational view of FIG. 1;
FIG. 4 is a left side elevational view of FIG. 1;
FIG. 5 is a right side elevational view of FIG. 1;
FIG. 6 is a top plan view of FIG. 1;
FIG. 7 is a bottom plan view of FIG. 1;
FIG. 8 is an enlarged view of the local portion labeled as “8”
in FIG. 2; and,
FIG. 9 is an enlarged view of the local portion labeled as “9”
in FIG. 5.

See application file for complete search history.

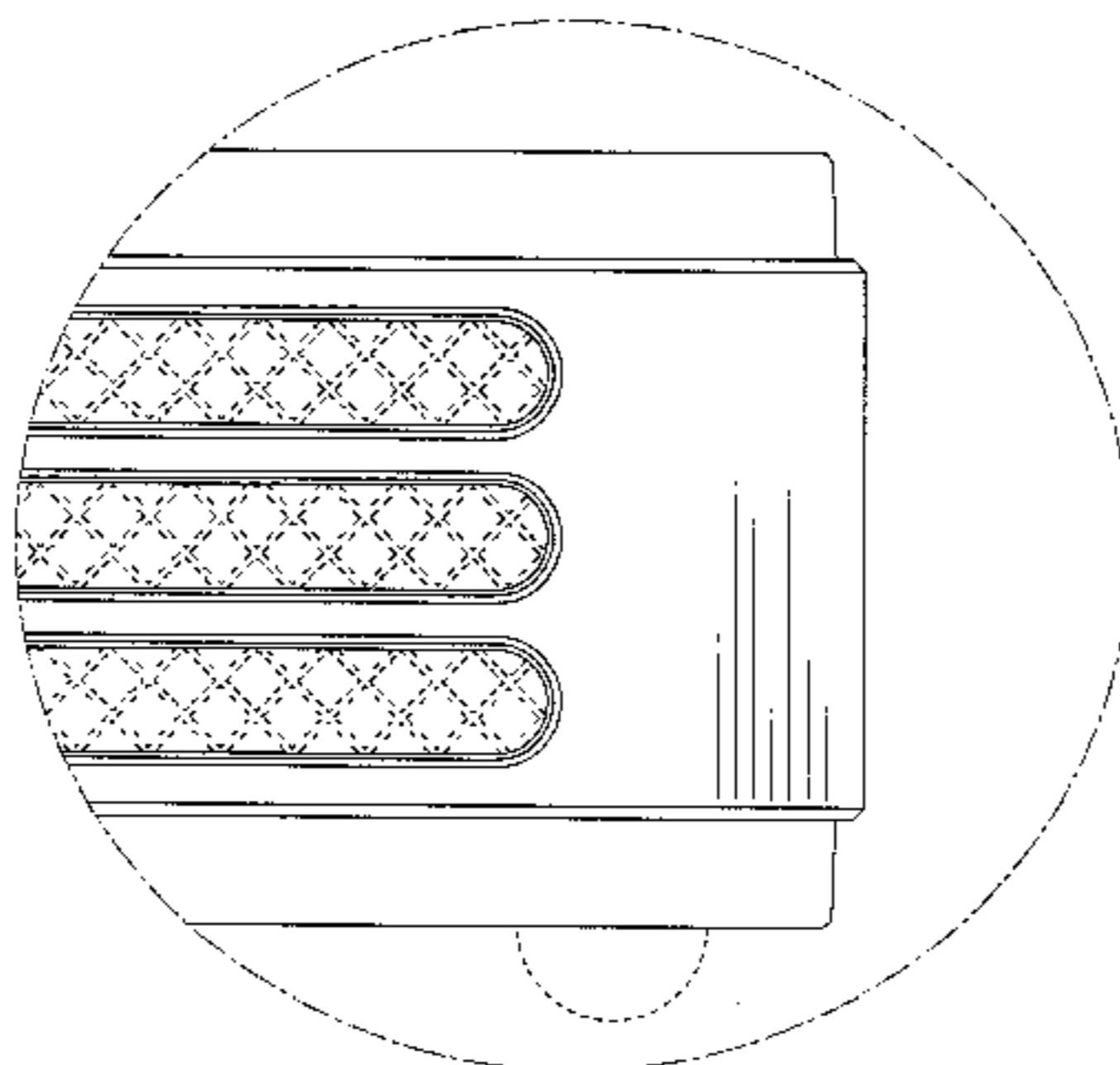
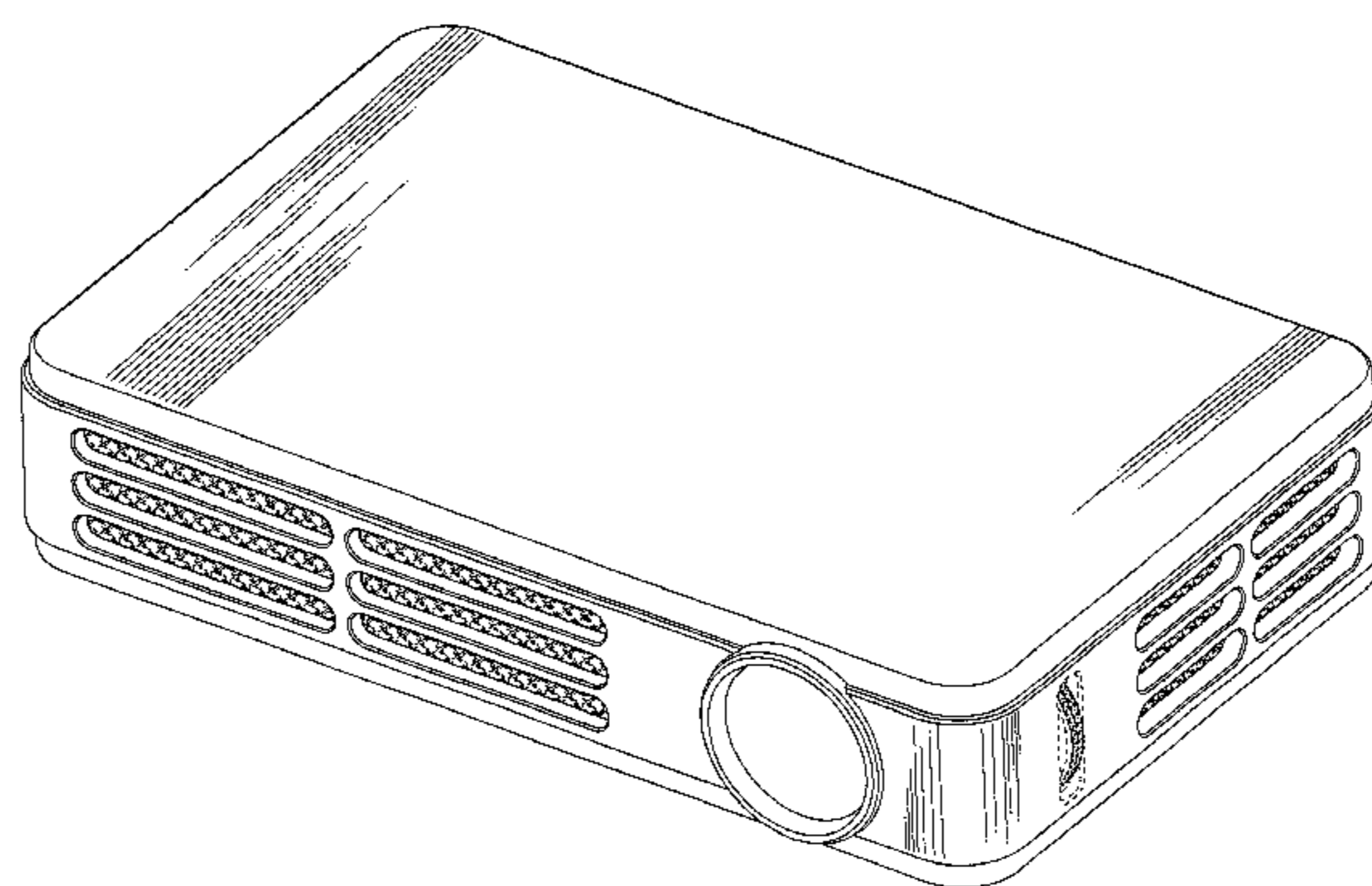
The broken lines shown in the figures represent portions of the projector that form no part of the claimed design.

(56) **References Cited**

U.S. PATENT DOCUMENTS

D391,592 S * 3/1998 Sakamoto et al. D16/231
D400,902 S * 11/1998 Yamazaki et al. D16/225
D472,570 S * 4/2003 Takahashi D16/230
6,793,346 B2 * 9/2004 Nakano et al. 353/119
D504,453 S * 4/2005 Jungsi et al. D16/231
6,880,938 B2 * 4/2005 Nakano 353/119
6,886,948 B2 5/2005 Nakano
D545,861 S * 7/2007 Naruki D16/230

1 Claim, 9 Drawing Sheets



US D671,160 S

Page 2

U.S. PATENT DOCUMENTS

D556,237 S 11/2007 On et al.
D557,318 S * 12/2007 Nishimura et al. D16/230
D564,565 S 3/2008 Oota et al.
D588,619 S 3/2009 Kawabe et al.
D588,620 S 3/2009 Kawabe et al.
D600,735 S 9/2009 Chigira et al.
D602,061 S 10/2009 Tatara et al.
D631,080 S 1/2011 Han

D636,426 S * 4/2011 Kawaguchi et al. D16/230
D640,302 S * 6/2011 Tatara et al. D16/230
2011/0279784 A1 11/2011 Okoshi

FOREIGN PATENT DOCUMENTS

TW D126879 3/1997
TW D132167 S1 11/2009

* cited by examiner

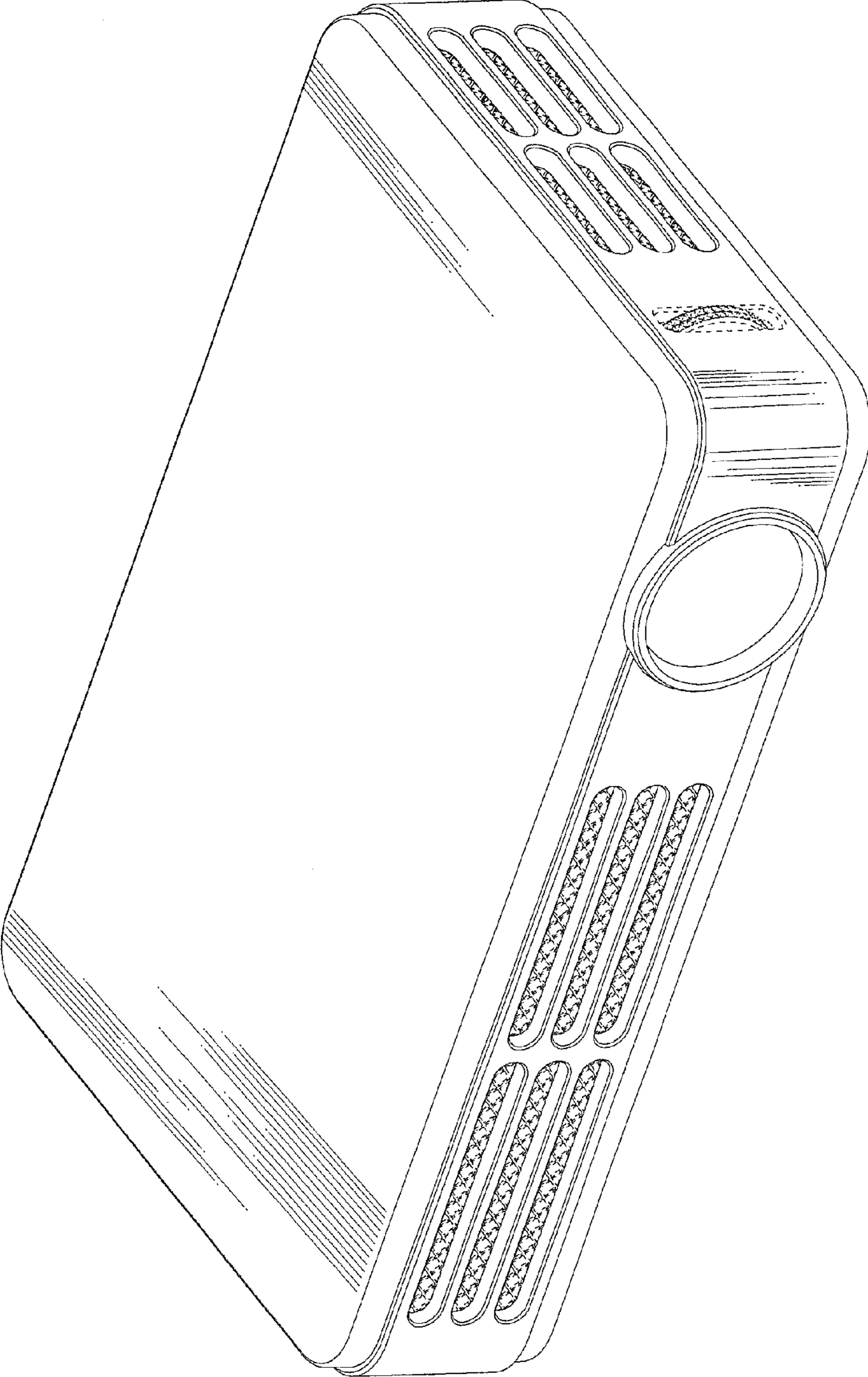


FIG.1

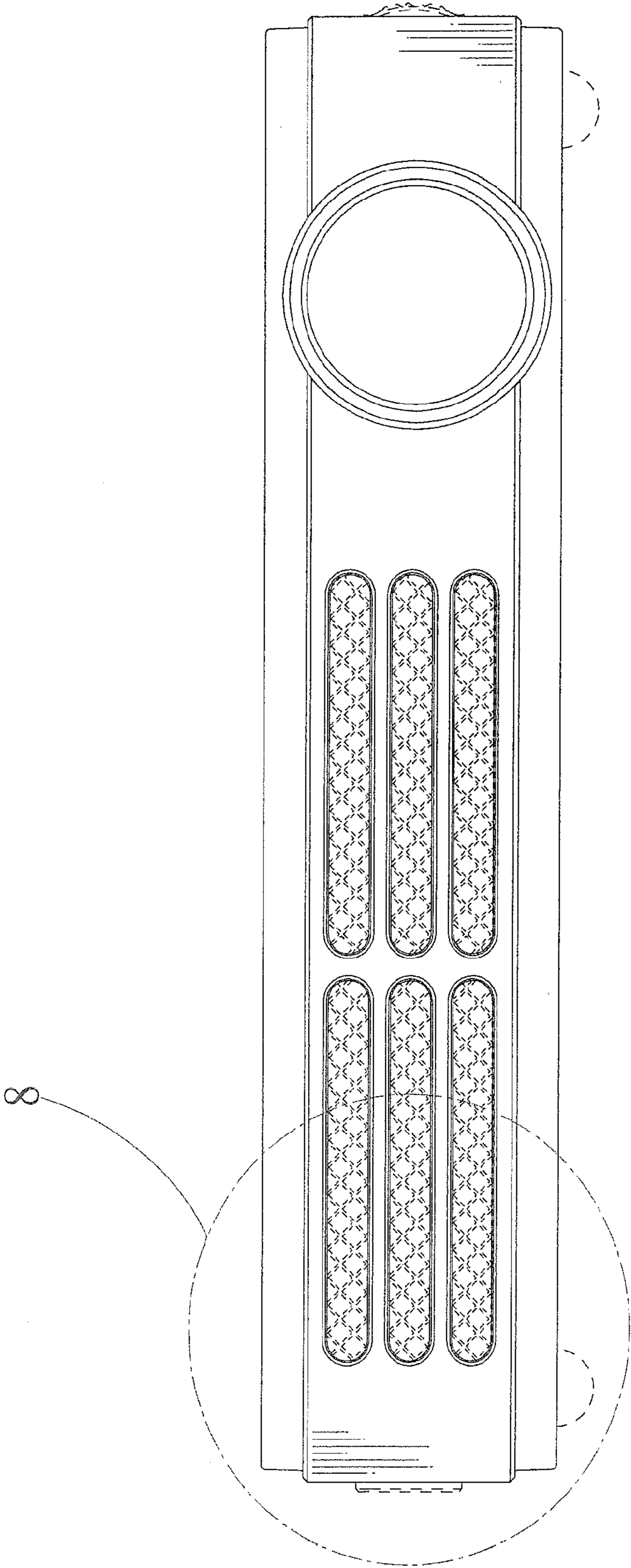


FIG.2

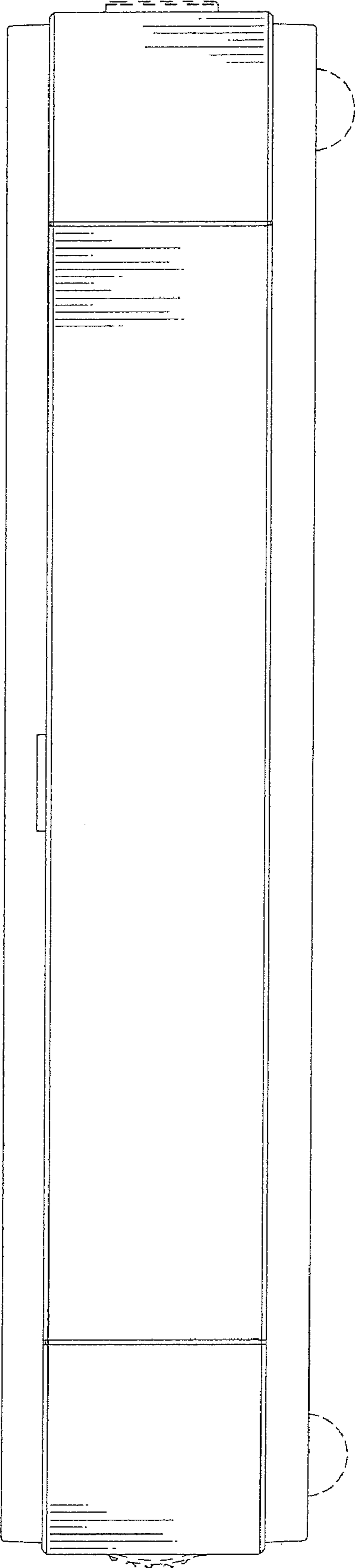


FIG.3

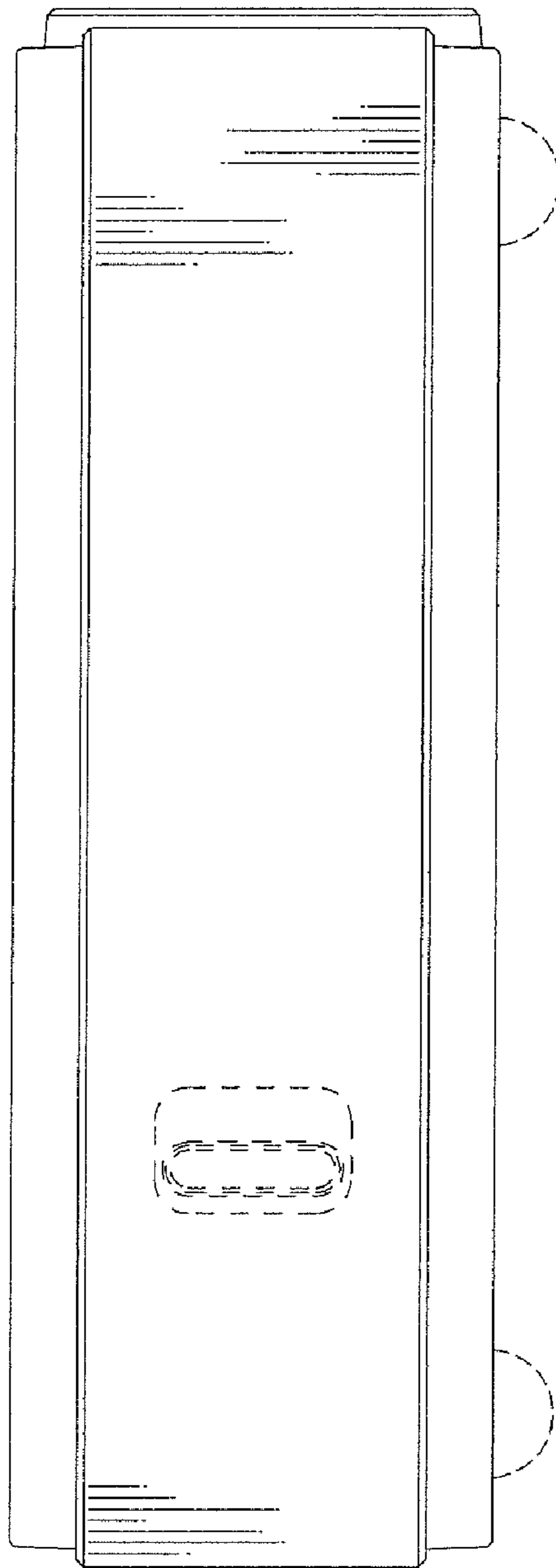


FIG.4

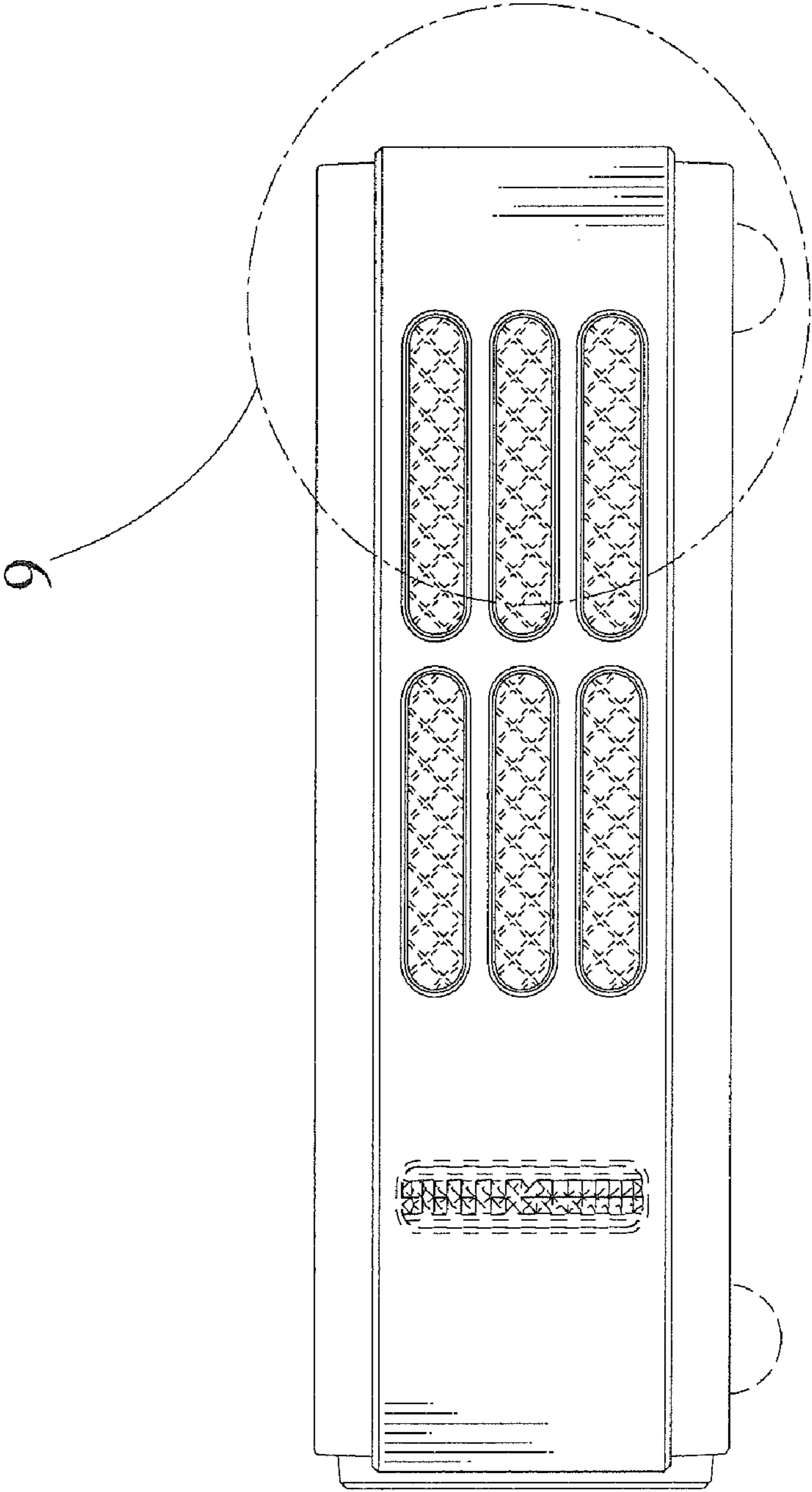


FIG. 5

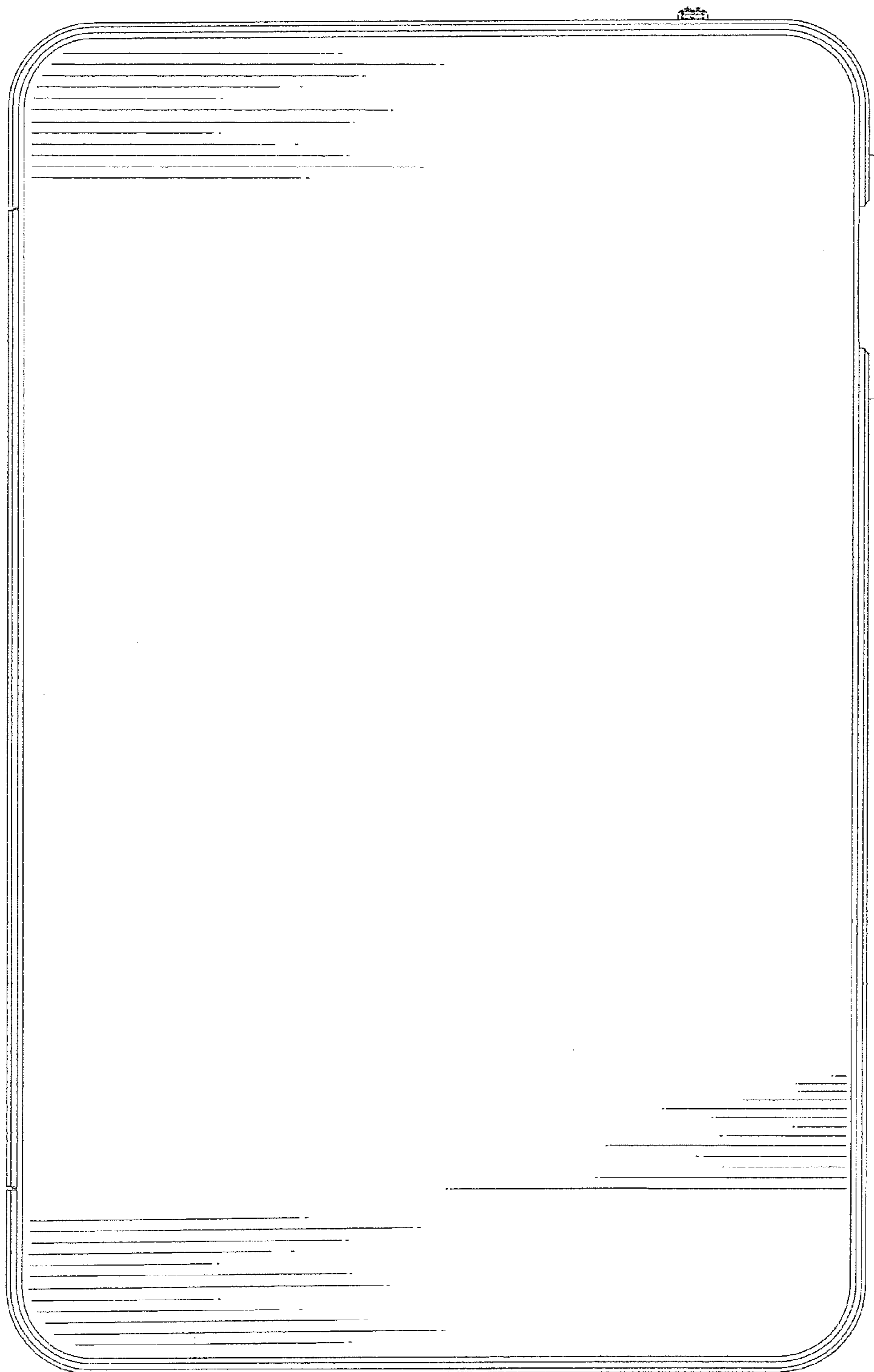


FIG.6

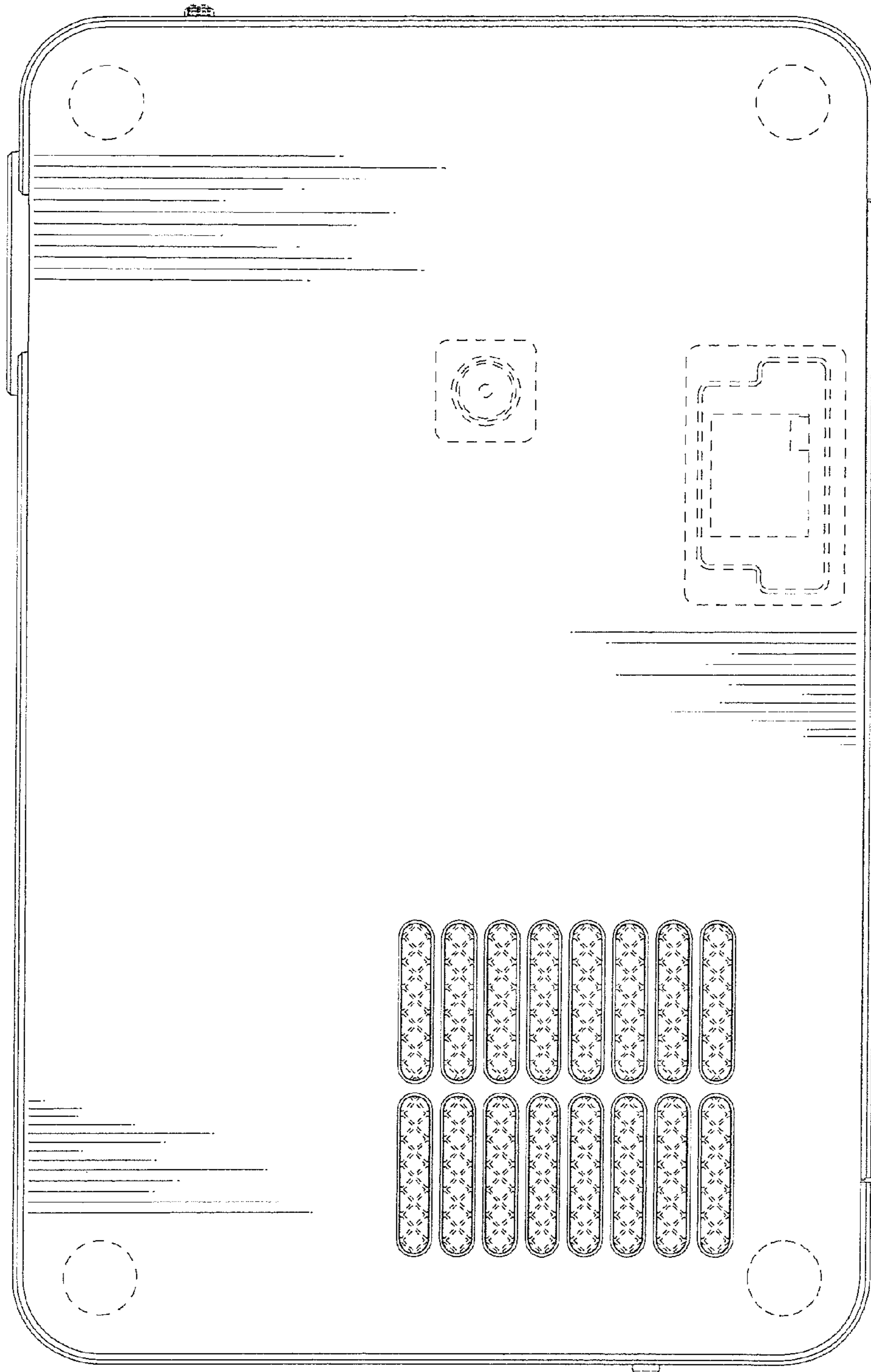


FIG. 7

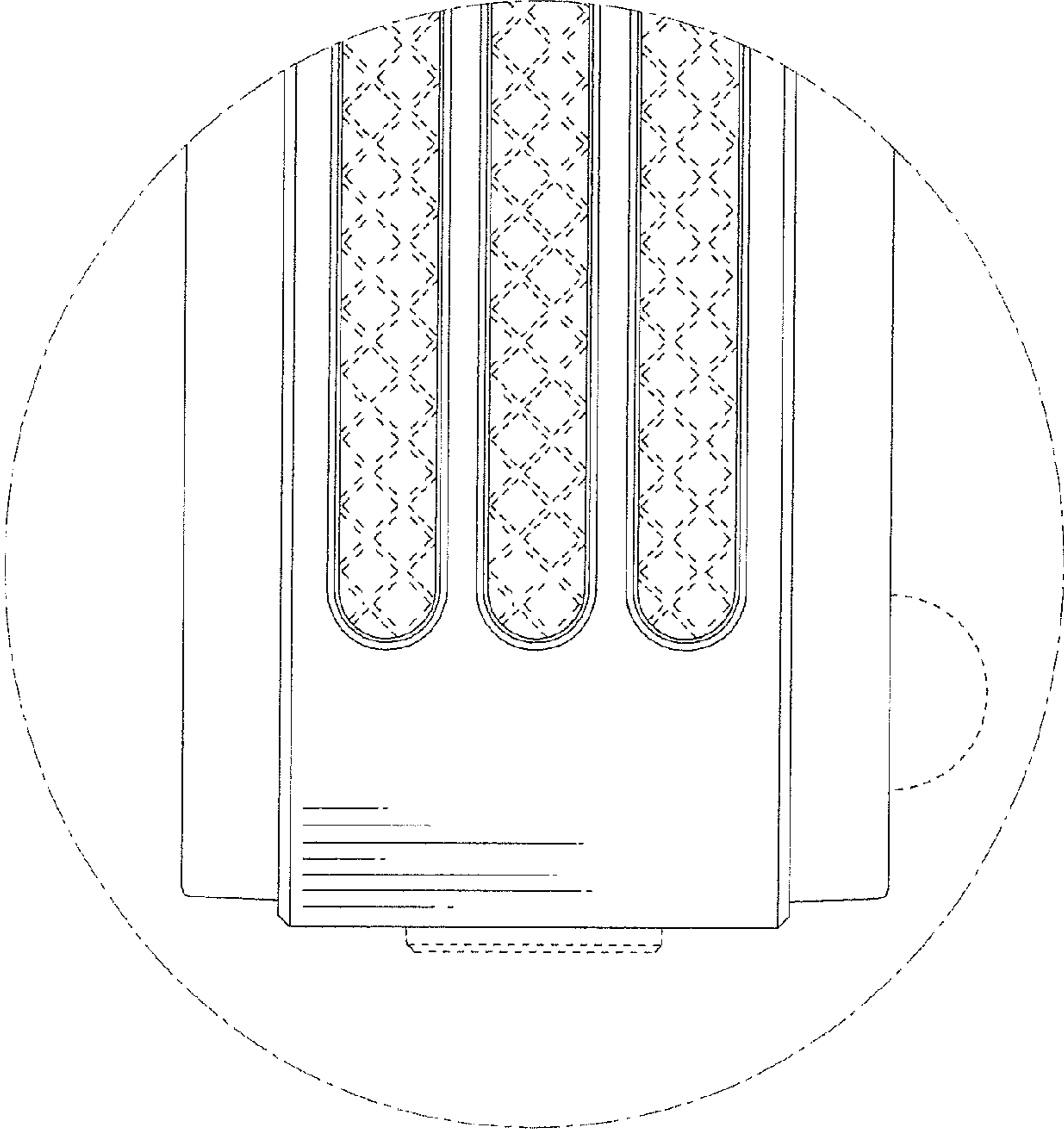


FIG.8

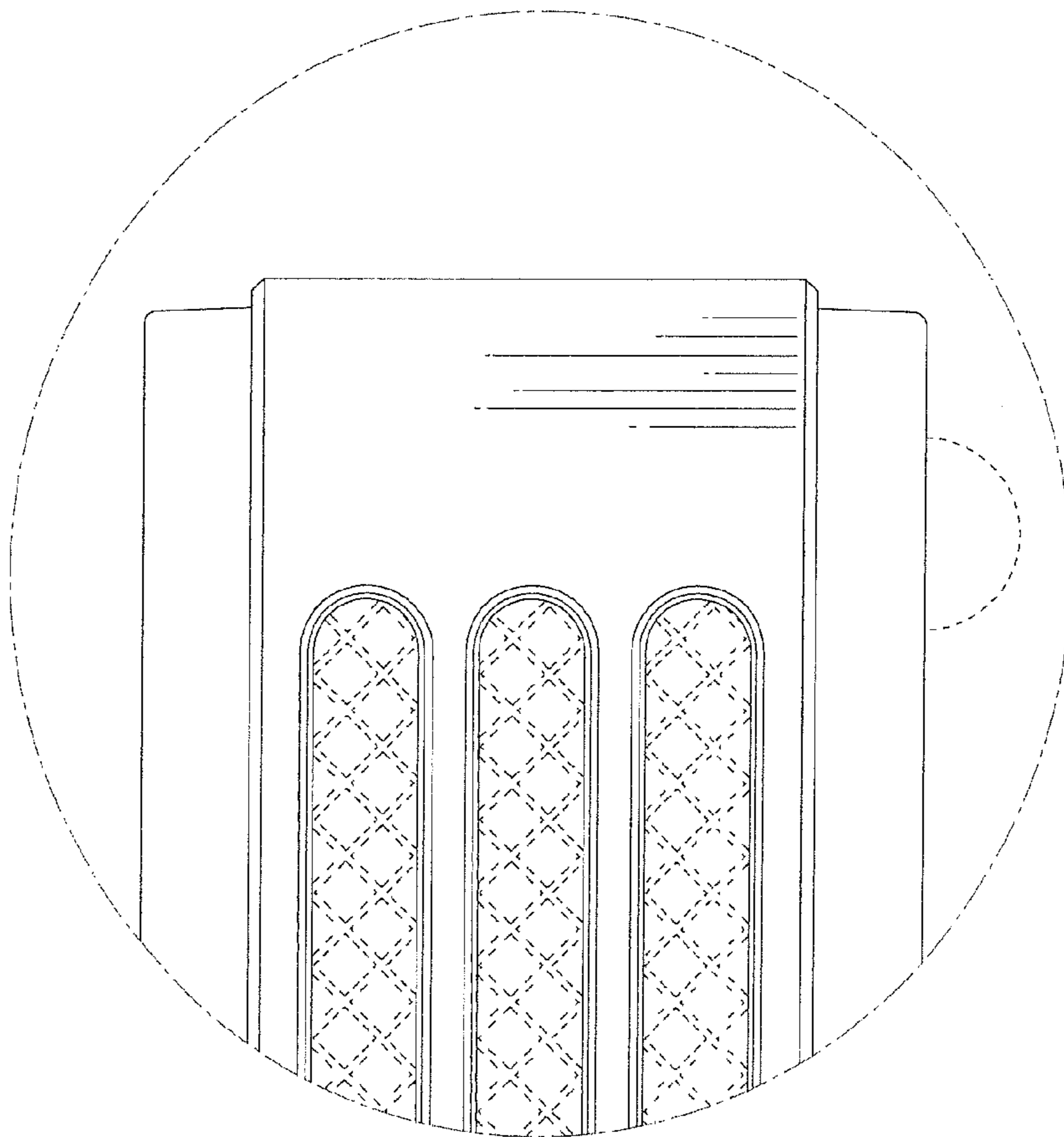


FIG.9