

US00D671159S

(12) **United States Design Patent**  
**Azuma et al.**

(10) **Patent No.:** **US D671,159 S**  
(45) **Date of Patent:** **\*\* Nov. 20, 2012**

(54) **PROJECTOR**

(75) Inventors: **Sadayoshi Azuma**, Kyoto (JP);  
**Ryuichirou Hirose**, Osaka (JP)

(73) Assignee: **Panasonic Corporation**, Osaka (JP)

(\*\*) Term: **14 Years**

(21) Appl. No.: **29/415,061**

(22) Filed: **Mar. 7, 2012**

**Related U.S. Application Data**

(62) Division of application No. 29/394,743, filed on Jun. 21, 2011.

(51) **LOC (9) Cl.** ..... **16-02**

(52) **U.S. Cl.** ..... **D16/230**

(58) **Field of Classification Search** ..... D16/205,  
D16/208, 221, 225, 230, 231, 234; D21/514;  
353/115, 119, 122

See application file for complete search history.

(56) **References Cited**

**U.S. PATENT DOCUMENTS**

D443,884 S	6/2001	Goto et al.	.....	D16/230
6,886,948 B2	5/2005	Nakano	.....	353/119
D515,126 S *	2/2006	Morishita et al.	.....	D16/230
D545,340 S *	6/2007	Azuma	.....	D16/230
D553,172 S	10/2007	Azuma	.....	D16/230
D554,173 S	10/2007	Naruki	.....	D16/230

D555,696 S	11/2007	Naruki	.....	D16/230
D556,237 S	11/2007	On et al.	.....	D16/231
D557,318 S	12/2007	Nishimura et al.	.....	D16/230
D588,620 S *	3/2009	Kawabe et al.	.....	D16/230
D637,641 S *	5/2011	Lim et al.	.....	D16/230
2011/0279784 A1	11/2011	Okoshi	.....	353/119

\* cited by examiner

*Primary Examiner* — Wan Laymon

(74) *Attorney, Agent, or Firm* — Panasonic Patent Center

(57) **CLAIM**

We claim the ornamental design for a projector, as shown and described.

**DESCRIPTION**

FIG. 1 is a top perspective view of a projector of the present invention;  
FIG. 2 is a front view thereof;  
FIG. 3 is a rear view thereof;  
FIG. 4 is a first side view thereof;  
FIG. 5 is a second side view thereof;  
FIG. 6 is a top view thereof; and,  
FIG. 7 is a bottom view thereof.

The broken line showing of the projector is included for the purpose of illustrating the environment and forms no part of the claimed design. Additionally, the uneven broken lines in the drawings define the limits of the claimed design.

**1 Claim, 7 Drawing Sheets**

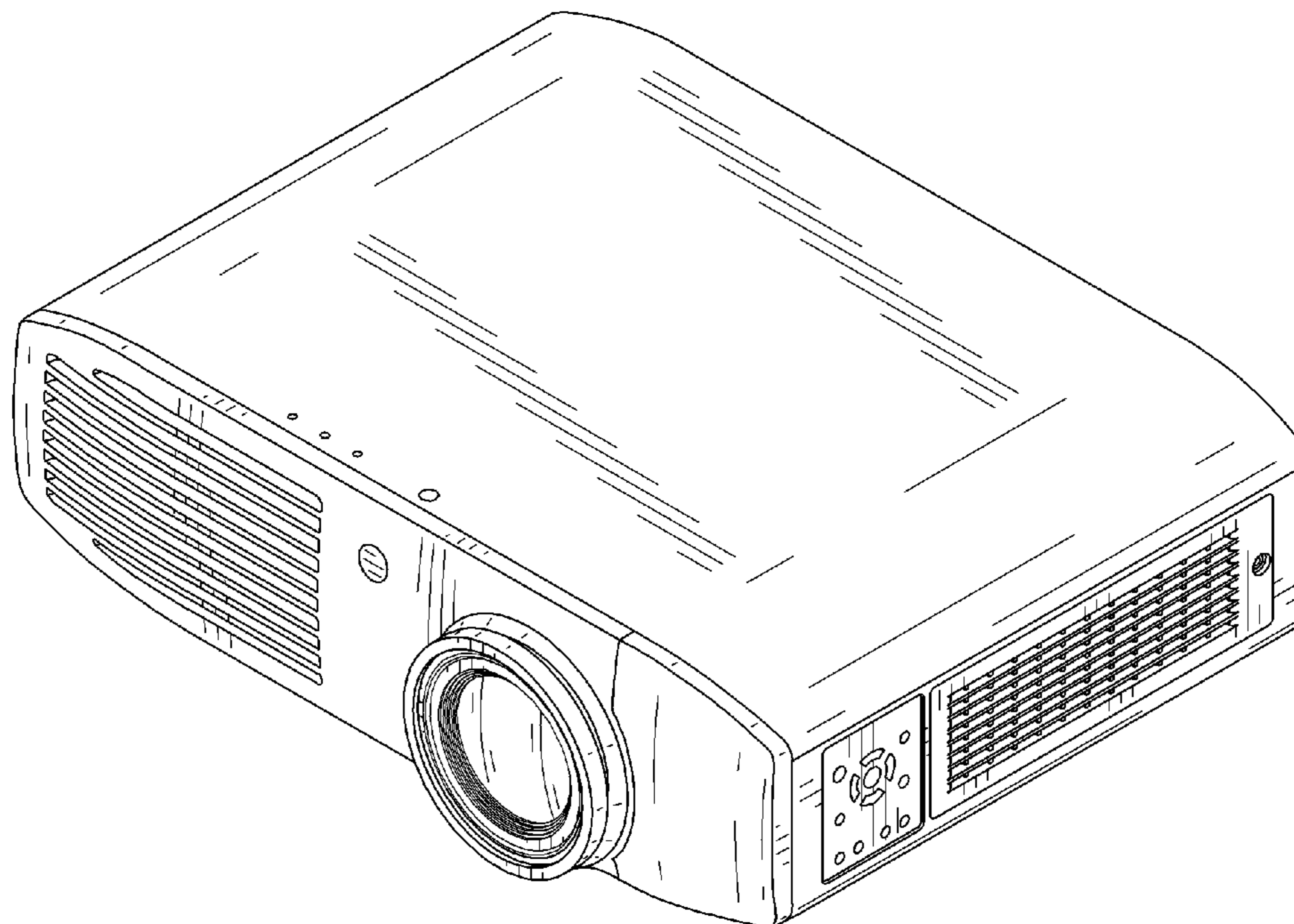


FIG. 1

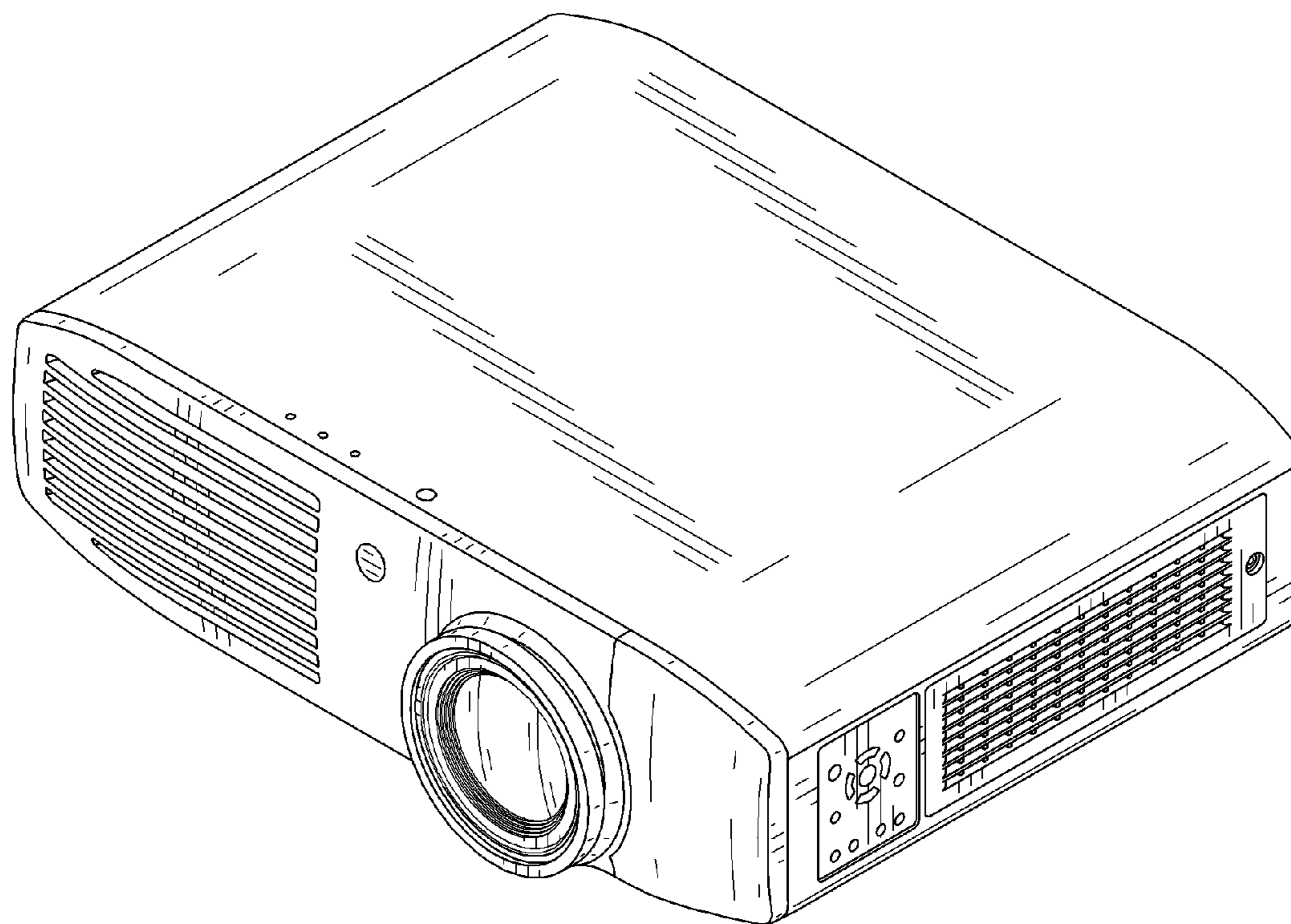


FIG. 2

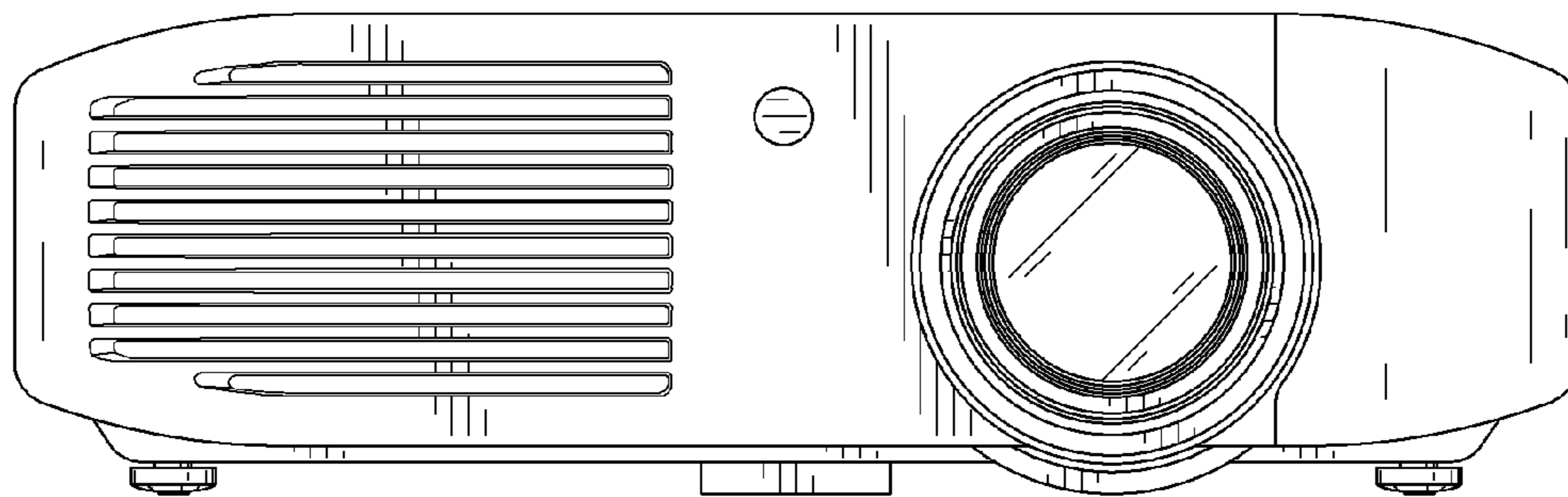


FIG. 3

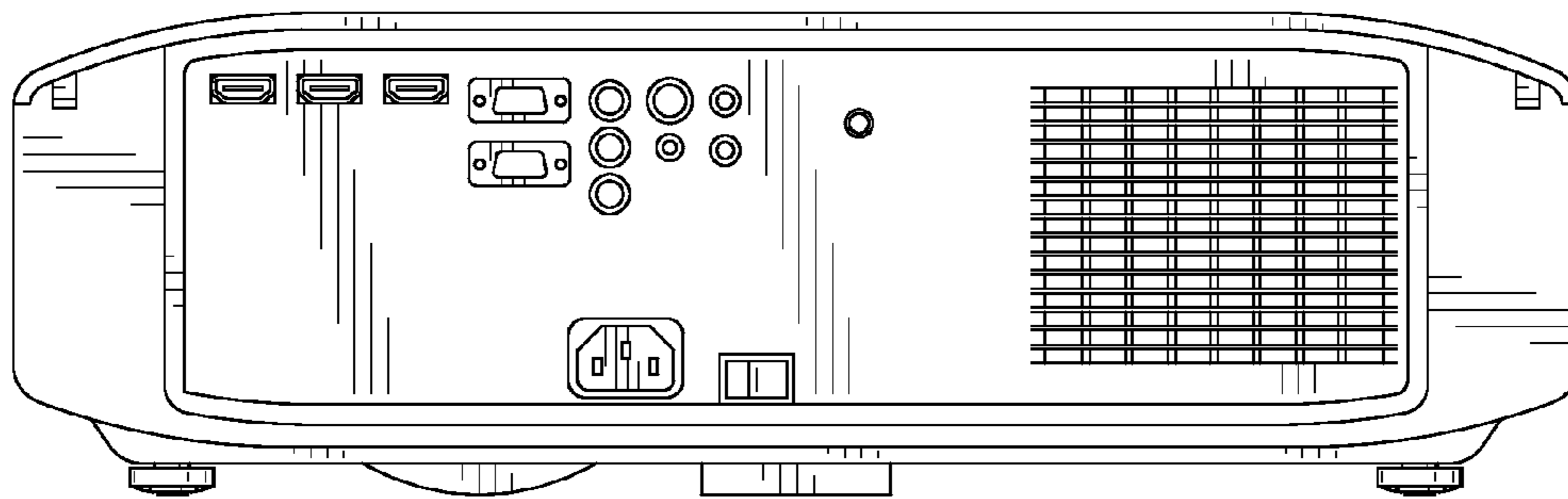


FIG. 4

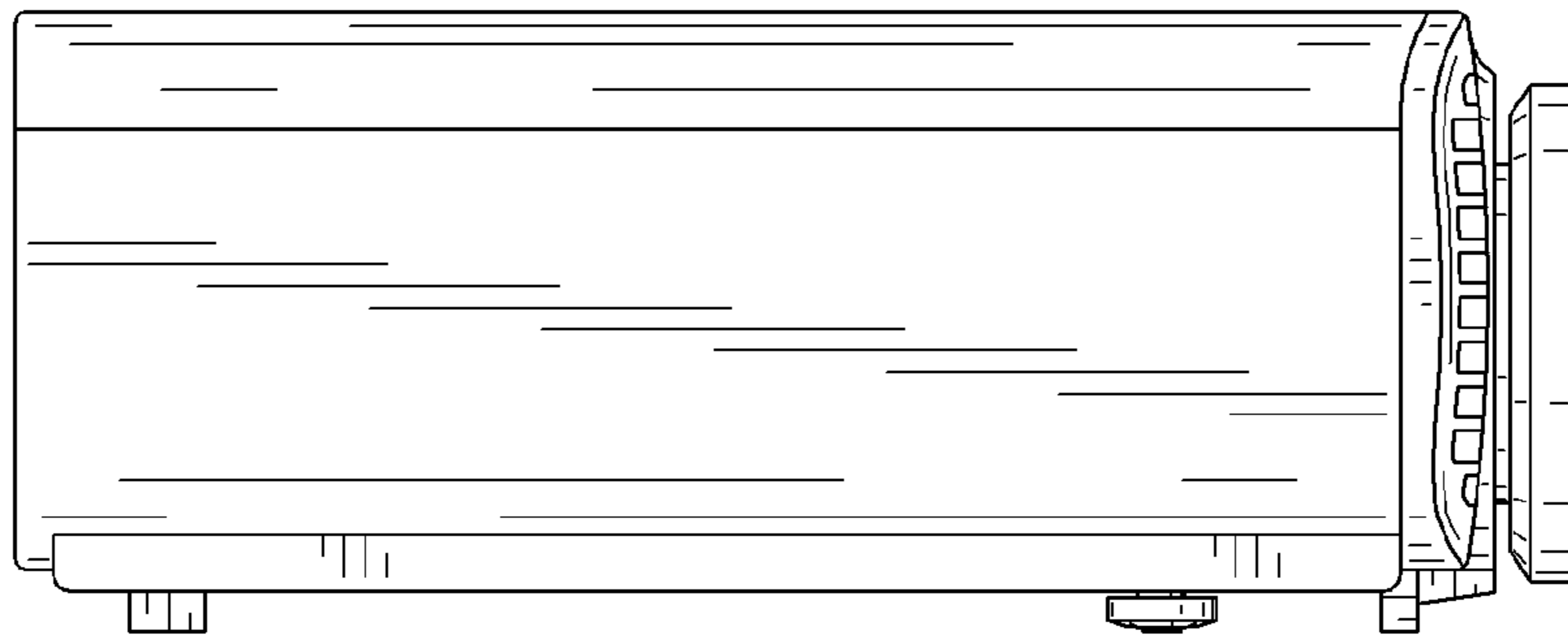


FIG. 5

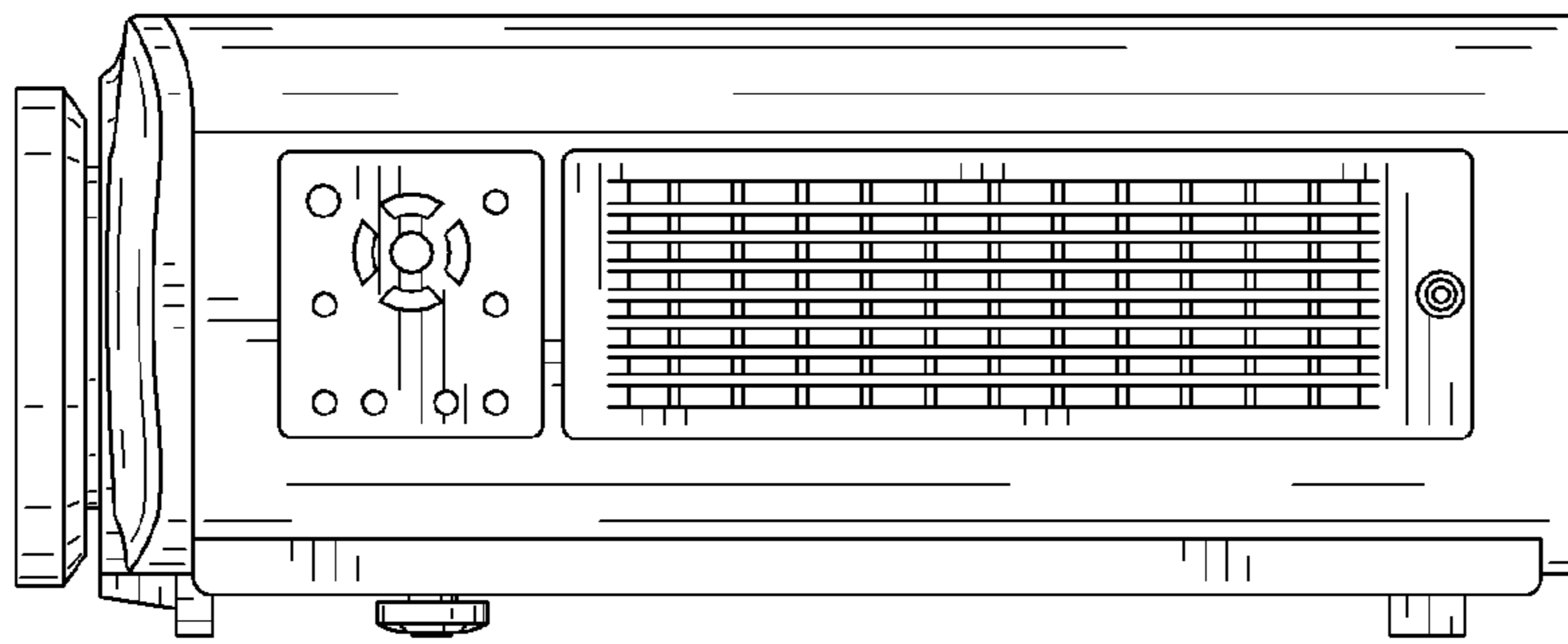


FIG. 6

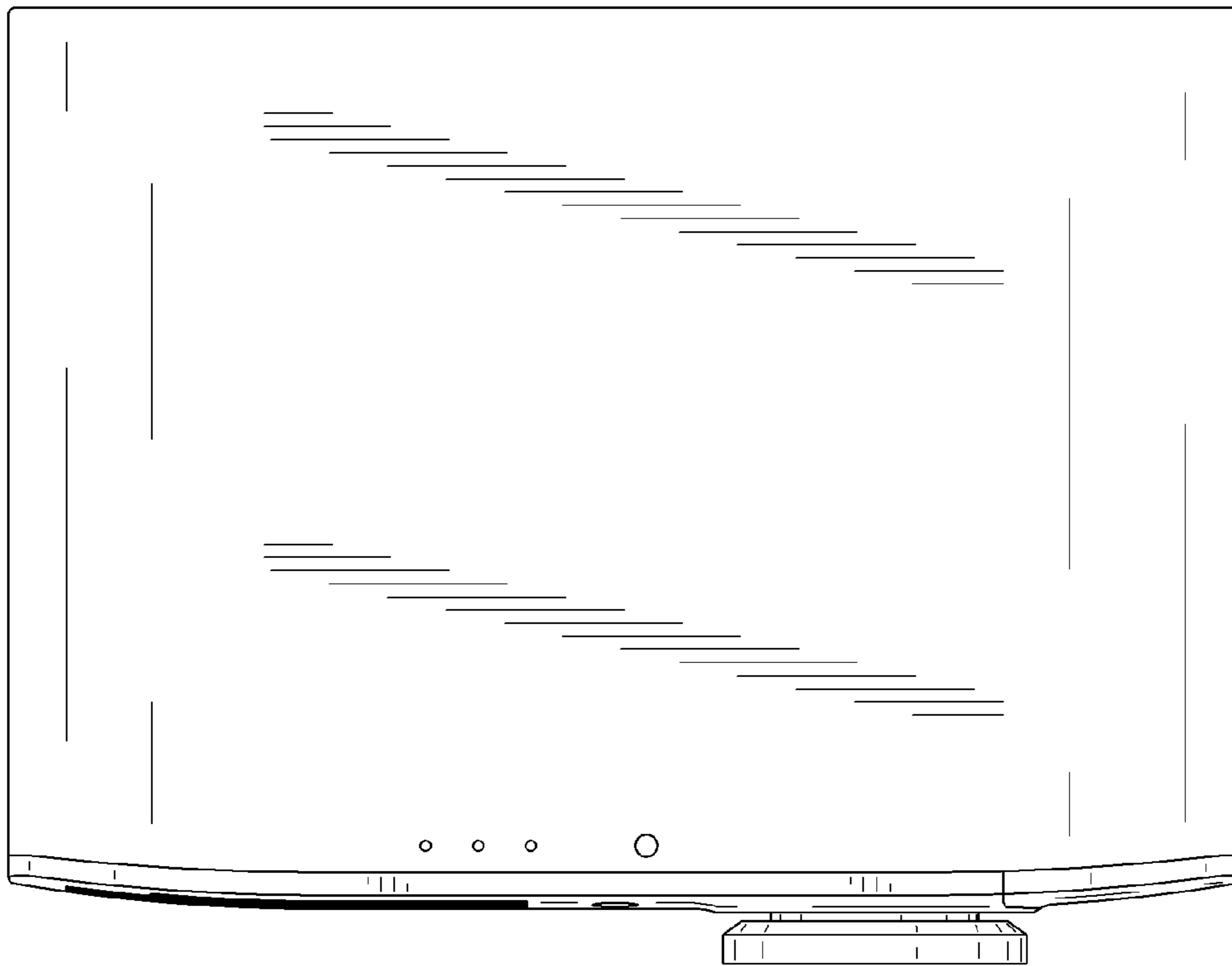
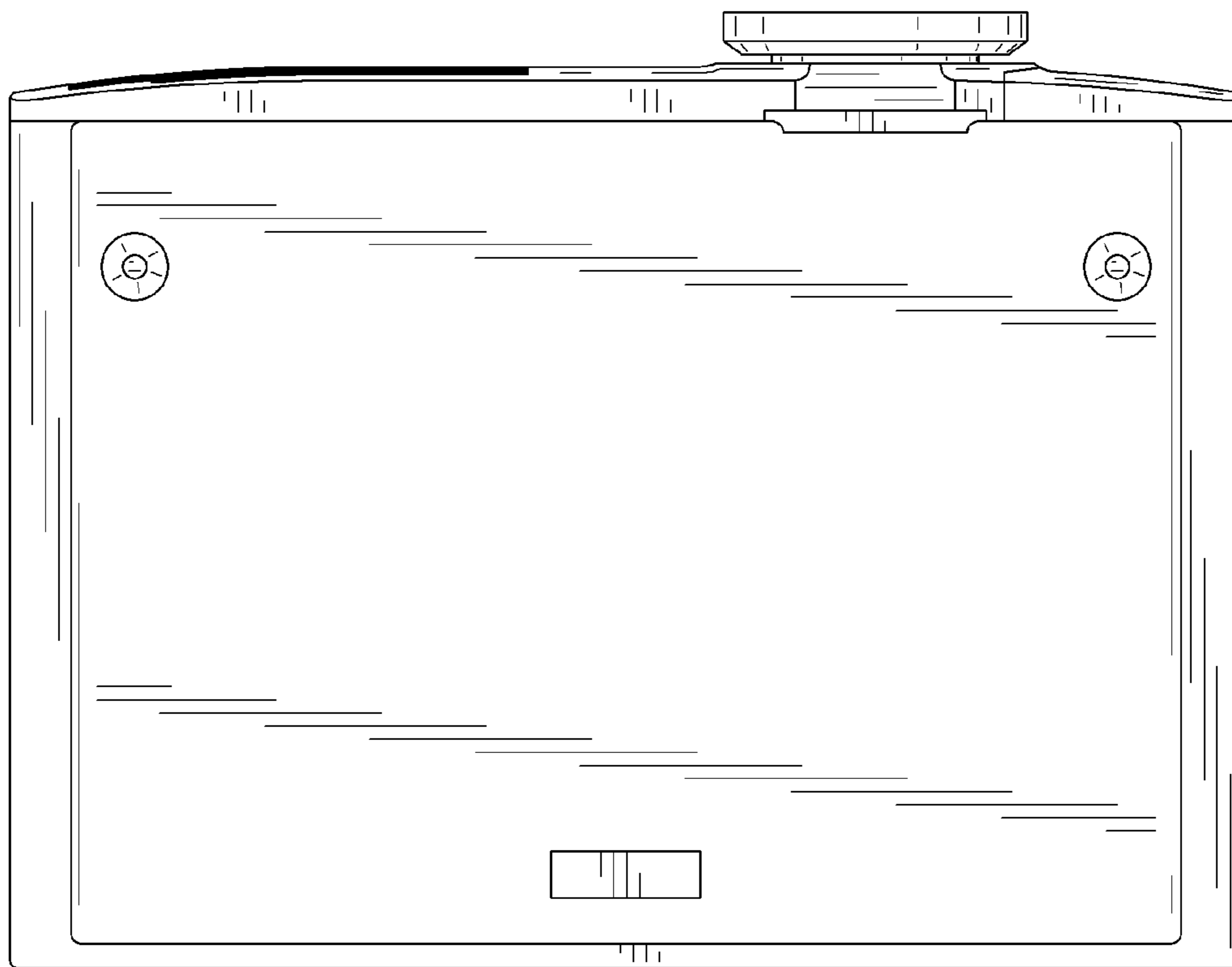


FIG. 7





UNITED STATES PATENT AND TRADEMARK OFFICE  
**CERTIFICATE OF CORRECTION**

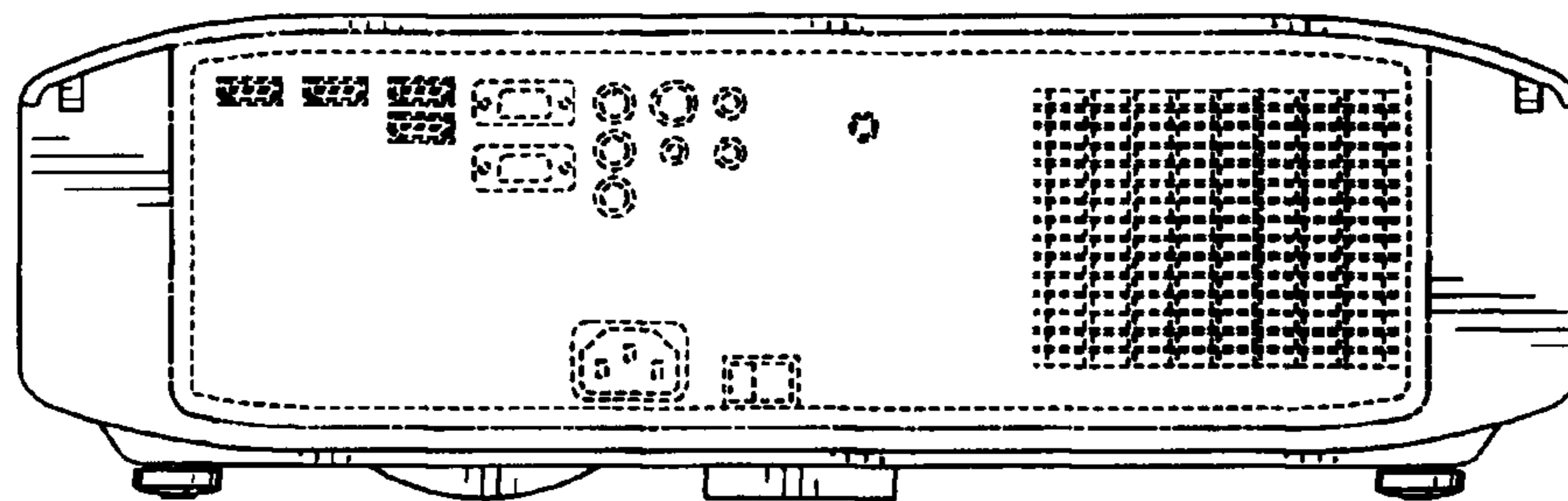
PATENT NO. : D671,159 S  
APPLICATION NO. : 29/415061  
DATED : November 20, 2012  
INVENTOR(S) : Sadayoshi Azuma and Ryuichirou Hirose

Page 1 of 1

It is certified that error appears in the above-identified patent and that said Letters Patent is hereby corrected as shown below:

In the Drawings,  
Replace FIG. 3 with the following:

**FIG. 3**



Signed and Sealed this  
Twelfth Day of February, 2013



Teresa Stanek Rea  
Acting Director of the United States Patent and Trademark Office