

US00D671158S

(12) **United States Design Patent**  
**Filo et al.**

(10) **Patent No.:** **US D671,158 S**

(45) **Date of Patent:** **\*\* Nov. 20, 2012**

(54) **VIEWER APPARATUS**

(75) Inventors: **Andrew S. Filo**, Cupertino, CA (US);  
**David G. Capper**, Novato, CA (US)

(73) Assignee: **Hasbro, Inc.**, Pawtucket, RI (US)

(\*\*) Term: **14 Years**

(21) Appl. No.: **29/375,634**

(22) Filed: **Sep. 24, 2010**

(51) **LOC (9) Cl.** ..... **16-02**

(52) **U.S. Cl.** ..... **D16/222**

(58) **Field of Classification Search** ..... D16/222,  
D16/221, 227, 133; 40/361–362, 364, 366–367;  
348/51, 54, E13.044, 42; 353/6–7; 359/466–467,  
359/477

See application file for complete search history.

(56) **References Cited**

**U.S. PATENT DOCUMENTS**

705,706	A *	7/1902	Richmond	.....	359/477
2,528,673	A *	11/1950	Taylor	.....	359/477
2,530,531	A *	11/1950	McClellan	.....	359/467
D161,884	S *	2/1951	Thomas	.....	D16/222
2,715,853	A *	8/1955	Austin	.....	D16/222
D175,542	S *	9/1955	Fuller	.....	D16/222
D251,494	S *	4/1979	Richards et al.	.....	D16/222
D361,340	S *	8/1995	Bush	.....	D16/222
6,417,969	B1	7/2002	DeLuca et al.		
7,012,745	B2	3/2006	Ishikawa		
7,079,174	B2	7/2006	Taniguchi et al.		
7,268,747	B2	9/2007	Taniguchi et al.		
7,616,187	B2	11/2009	Koo et al.		
D613,325	S *	4/2010	Lo	.....	D16/222
2001/0015753	A1	8/2001	Myers		
2003/0072570	A1	4/2003	Seo		
2004/0095462	A1	5/2004	Miyata et al.		
2004/0179094	A1*	9/2004	Lo	.....	348/42
2004/0239763	A1	12/2004	Notea et al.		
2005/0007659	A1*	1/2005	Steinthal et al.	.....	359/376
2006/0055773	A1	3/2006	Kutka		

2006/0125917 A1 6/2006 Cha et al.  
2007/0003134 A1 1/2007 Song et al.

(Continued)

**OTHER PUBLICATIONS**

PCT/US2011/29135—International Search Report. dated May 23, 2009.

(Continued)

*Primary Examiner* — Wan Laymon

(74) *Attorney, Agent, or Firm* — Perry Hoffman

(57) **CLAIM**

The ornamental design for a viewer apparatus, as shown and described.

**DESCRIPTION**

FIG. 1 is a top rear left perspective view of the viewer apparatus of the instant invention;

FIG. 2 is a bottom rear right perspective view thereof;

FIG. 3 is an enlarged front elevational view thereof;

FIG. 4 is an enlarged rear elevational view thereof;

FIG. 5 is an enlarged left side view thereof;

FIG. 6 is an enlarged right side view thereof;

FIG. 7 is an enlarged top view thereof;

FIG. 8 is an enlarged bottom view thereof;

FIG. 9 is a top rear left perspective view of the viewer apparatus of the instant invention in a second embodiment;

FIG. 10 is a bottom rear right perspective view thereof;

FIG. 11 is an enlarged front elevational view thereof;

FIG. 12 is an enlarged rear elevational view thereof;

FIG. 13 is an enlarged top view thereof;

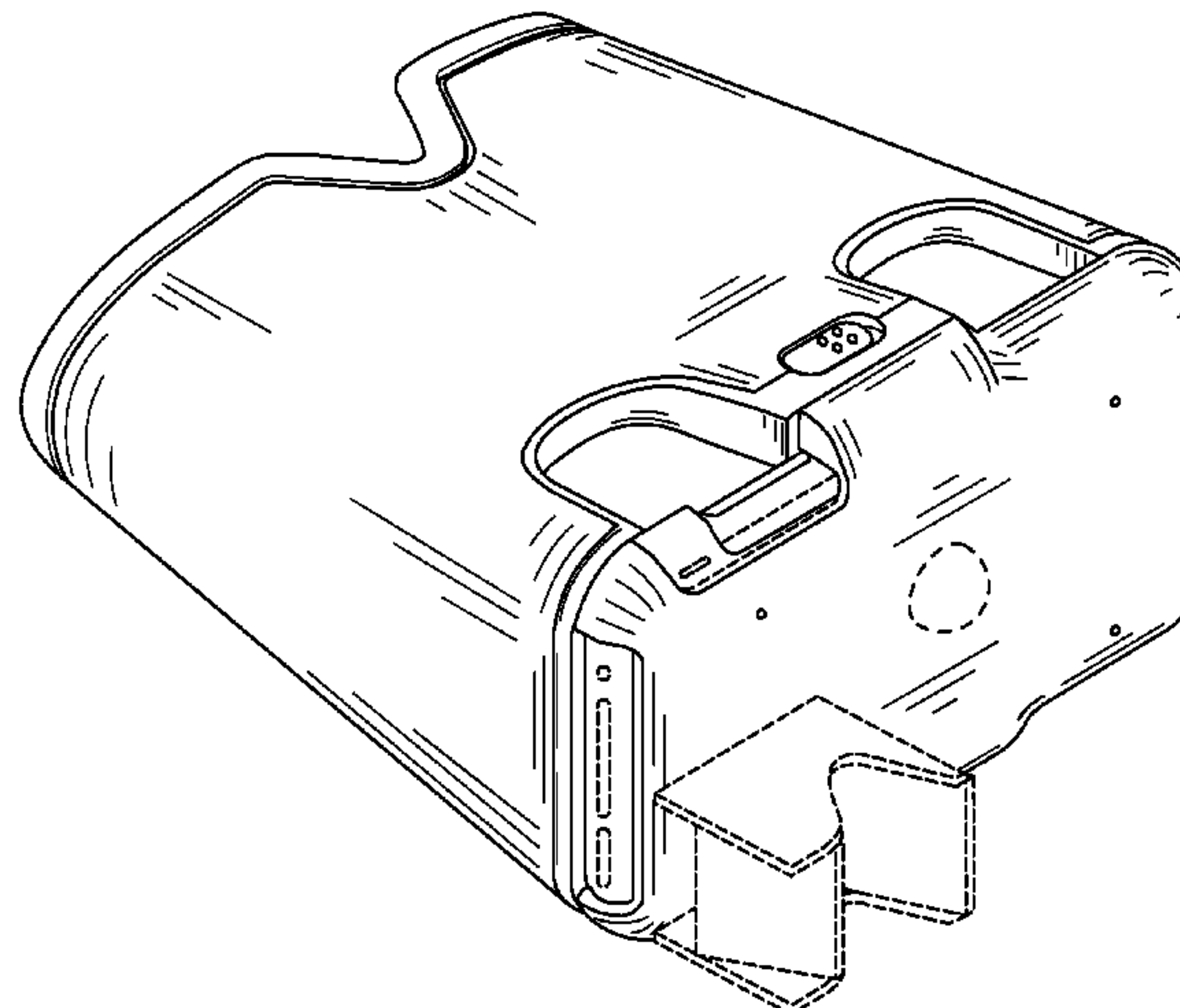
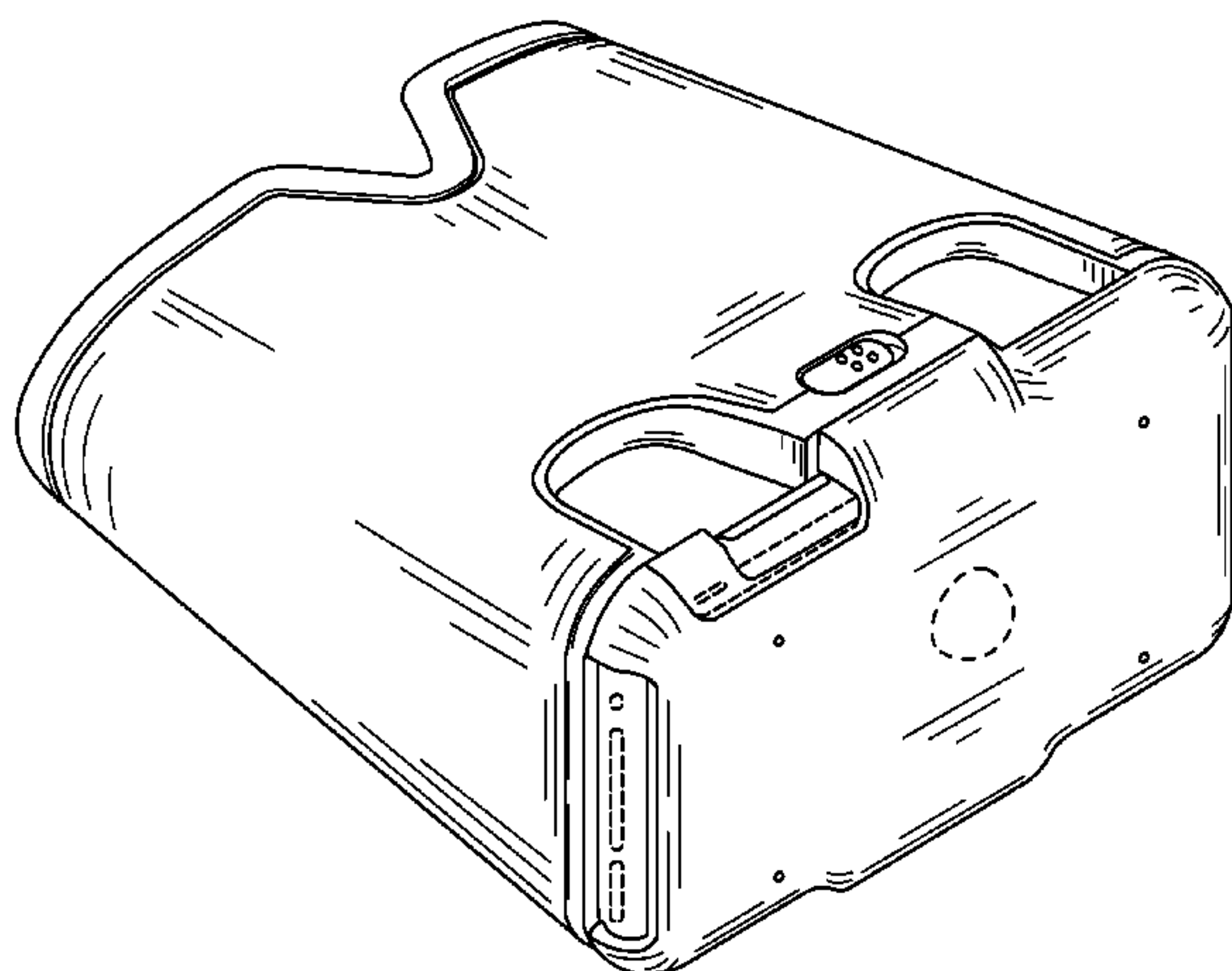
FIG. 14 is an enlarged bottom view thereof;

FIG. 15 is an enlarged left side view thereof; and,

FIG. 16 is an enlarged right side view thereof.

The broken lines shown are included for the purpose of illustrating portions of the article that form no part of the claimed design.

**1 Claim, 16 Drawing Sheets**



# US D671,158 S

Page 2

---

## U.S. PATENT DOCUMENTS

2007/0097319 A1 5/2007 McKay et al.  
2007/0103547 A1 5/2007 Kim et al.  
2007/0222856 A1 9/2007 Amaru  
2007/0252953 A1 11/2007 Metzger et al.  
2008/0079804 A1 4/2008 Hamagishi et al.  
2008/0080049 A1 4/2008 Hamagishi et al.  
2008/0211941 A1 9/2008 Deever et al.  
2008/0266387 A1 10/2008 Krijn et al.  
2009/0046141 A1 2/2009 Nojiri et al.  
2009/0278916 A1 11/2009 Ito

2012/0026298 A1\* 2/2012 Filo et al. .... 359/466

## OTHER PUBLICATIONS

PCT/US2011/29135—Written Opinion of the International Searching Authority, dated May 23, 2009.

PCT/US2011/29135—Notification of Transmittal of the International Search Report and the Written Opinion of the International Searching Authority or the Declaration. May 23, 2009.

\* cited by examiner

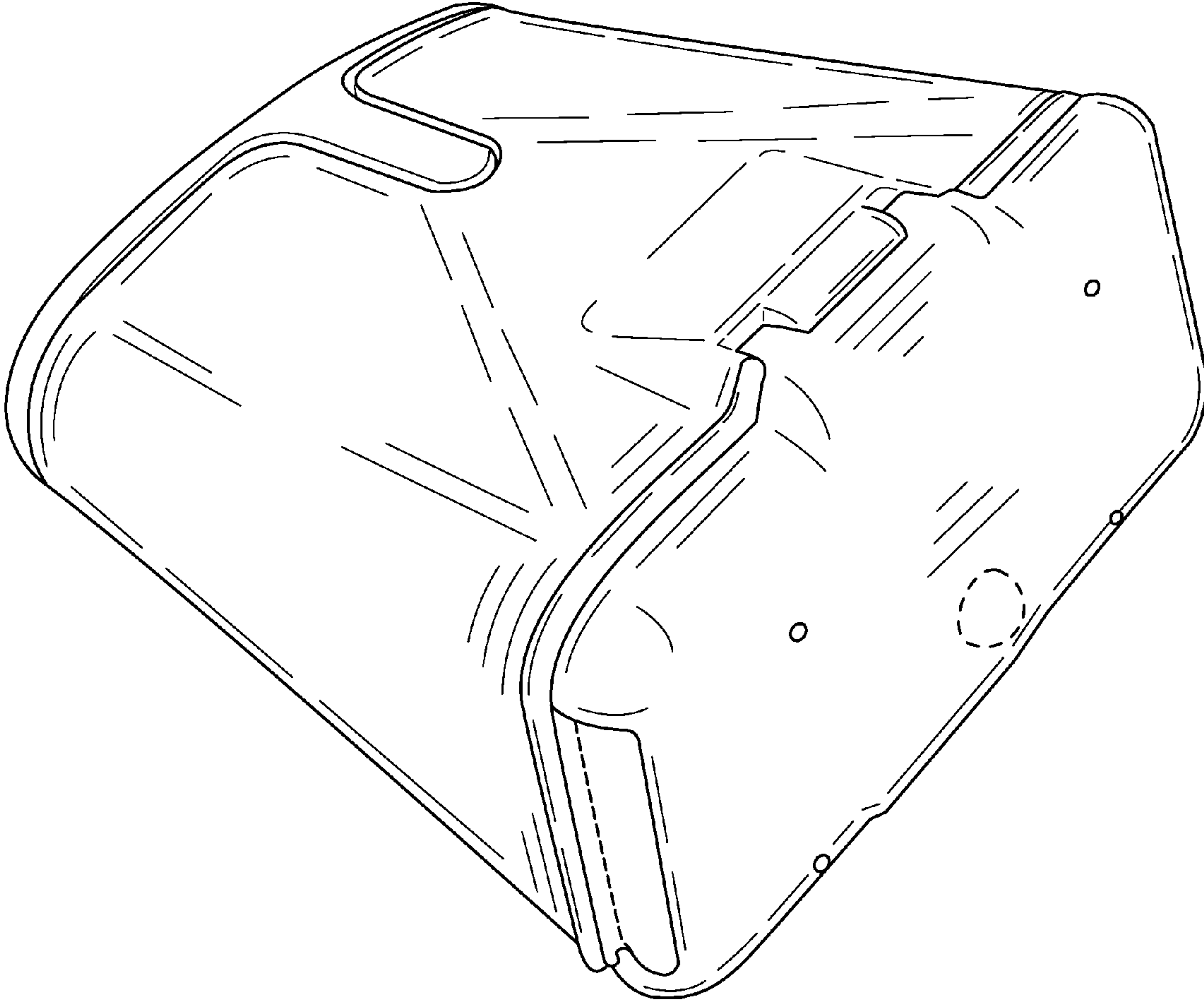


FIG. 1

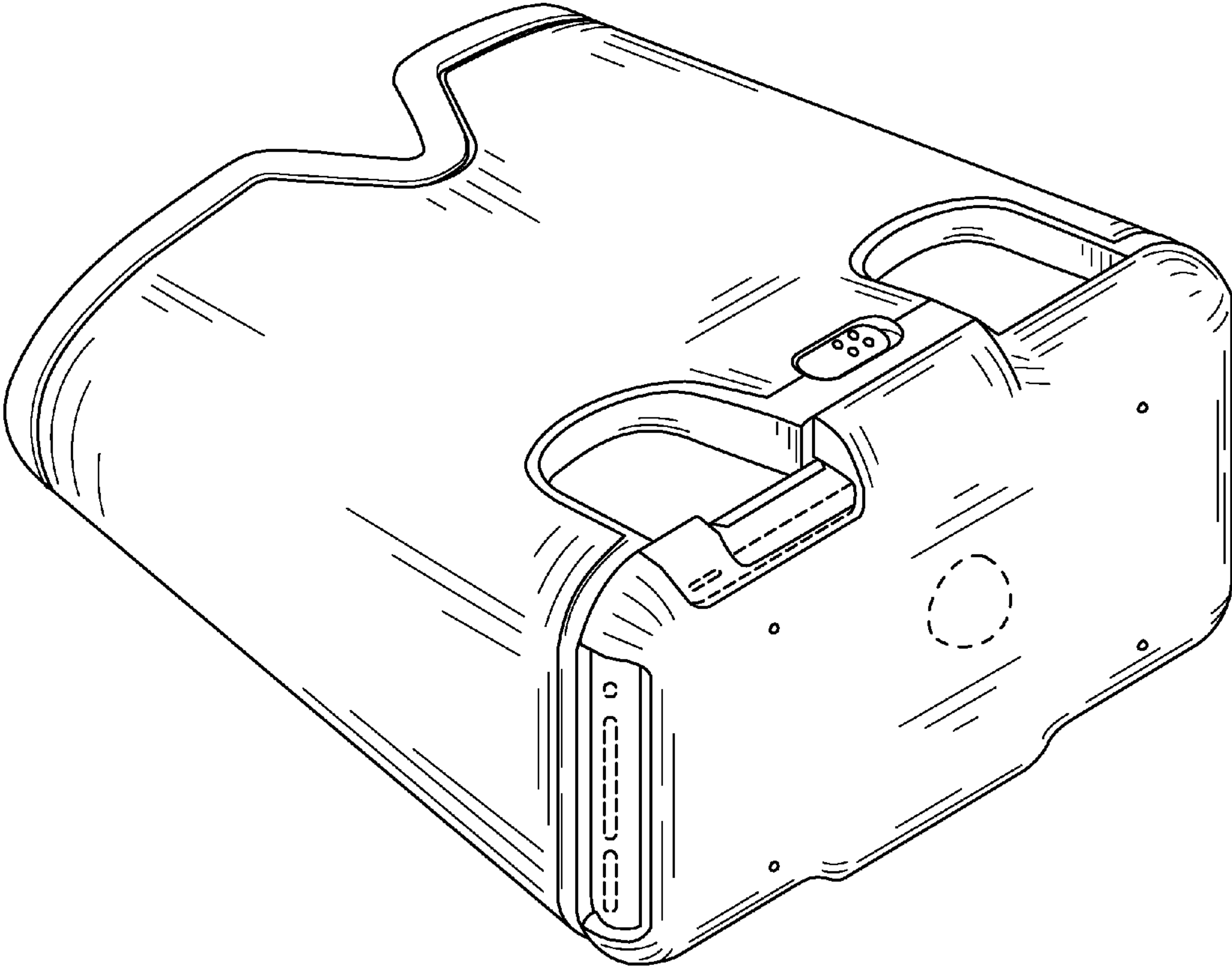


FIG. 2



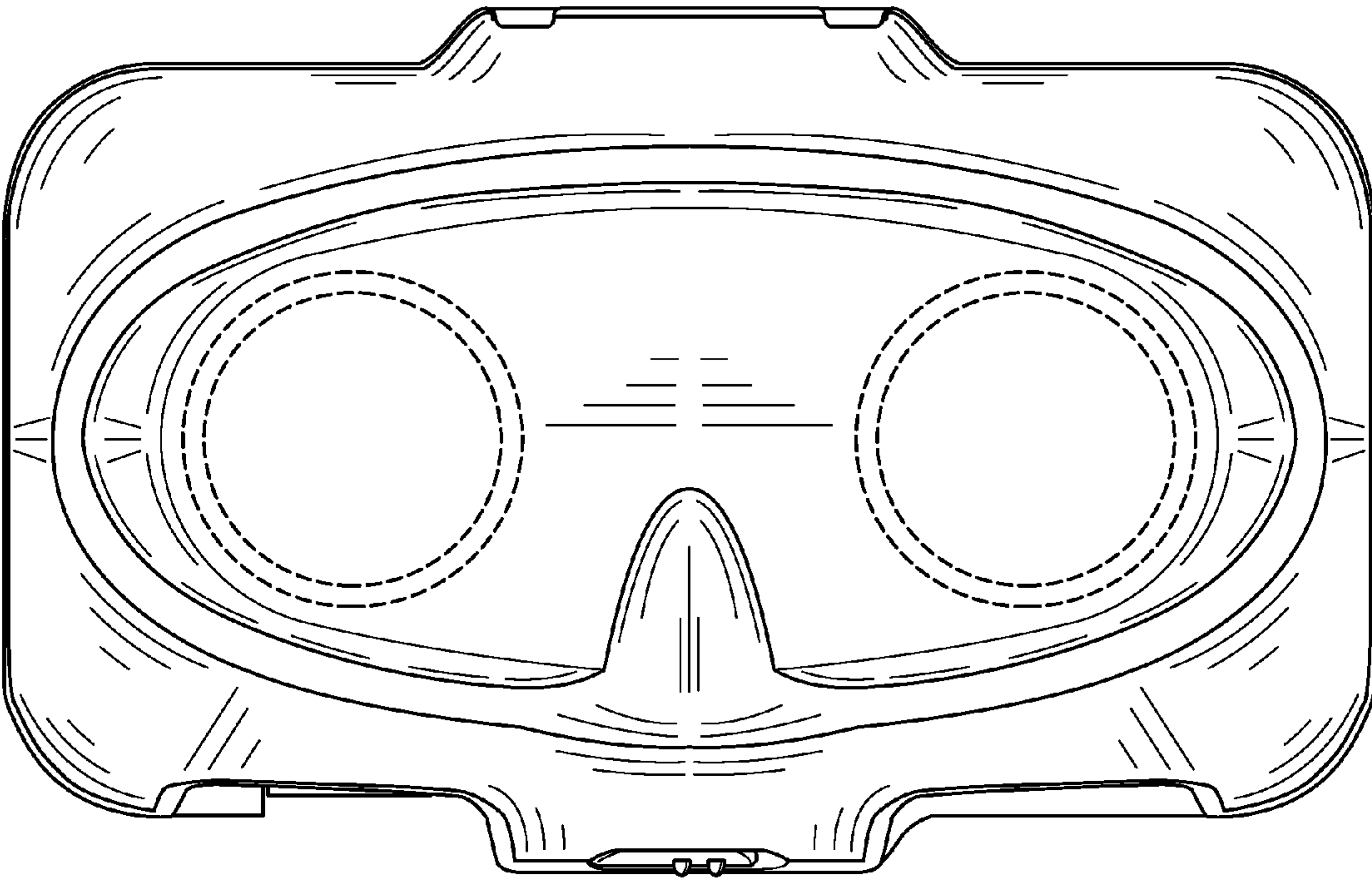


FIG. 3

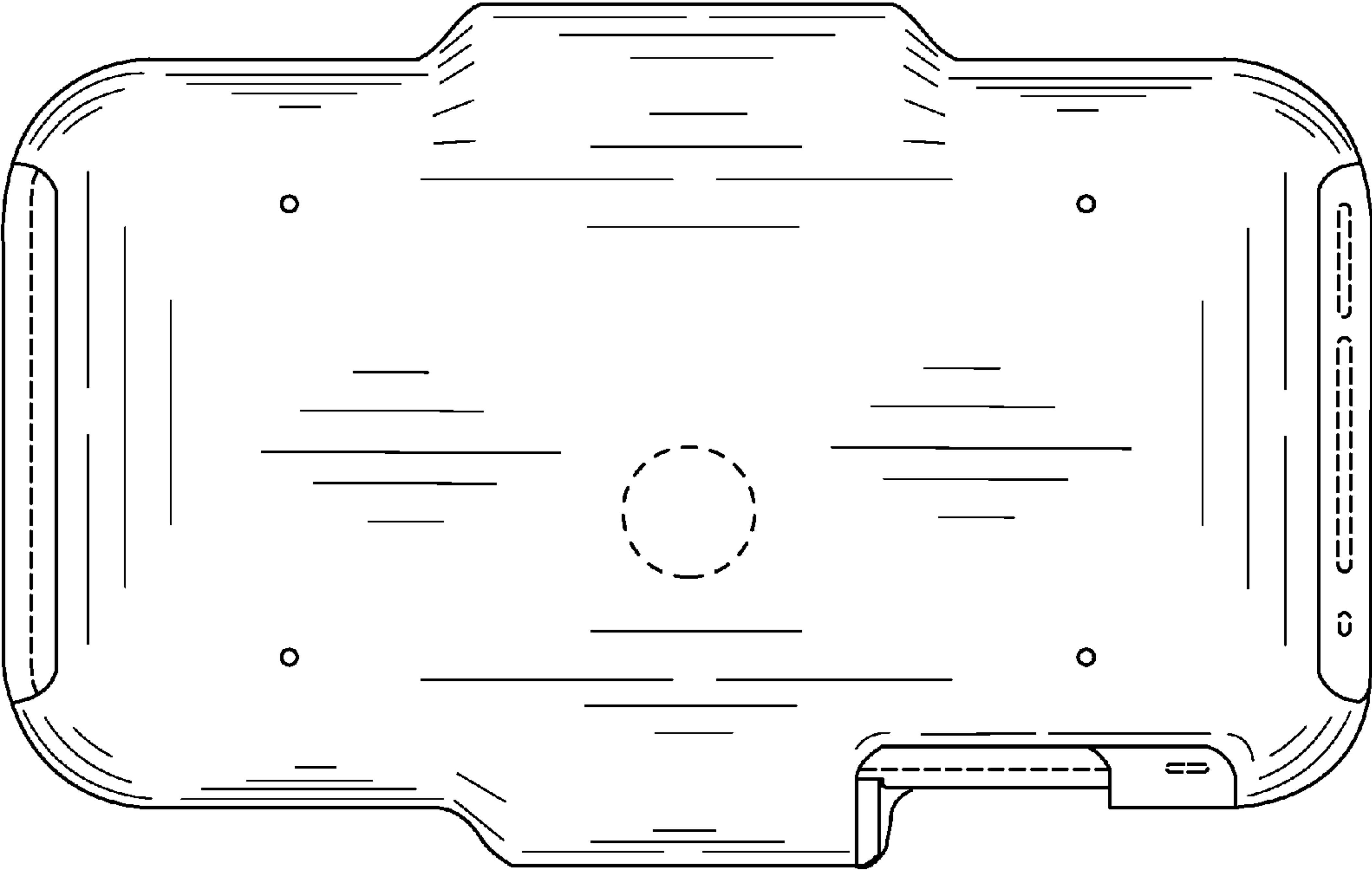


FIG.4



FIG. 5



FIG. 6



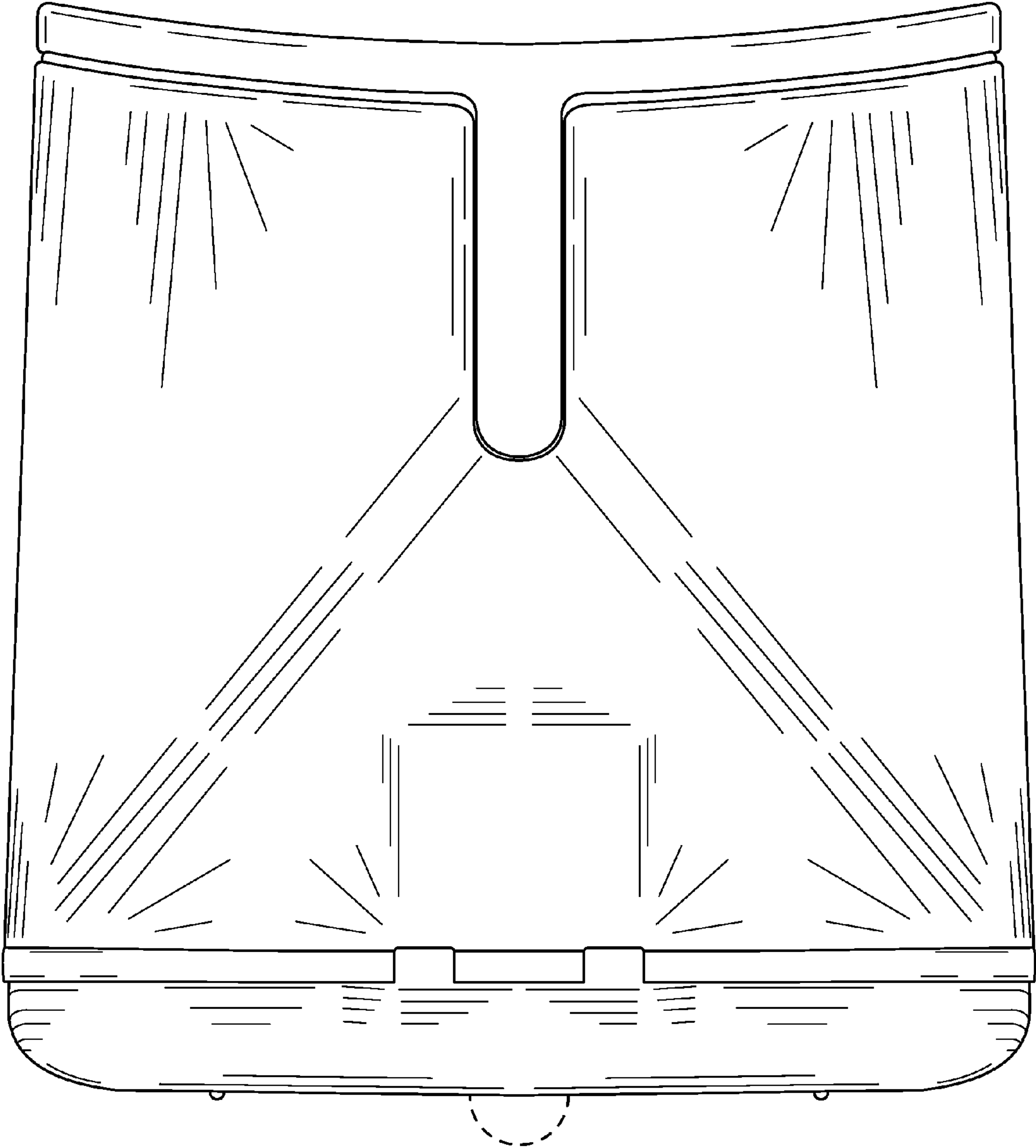


FIG. 7

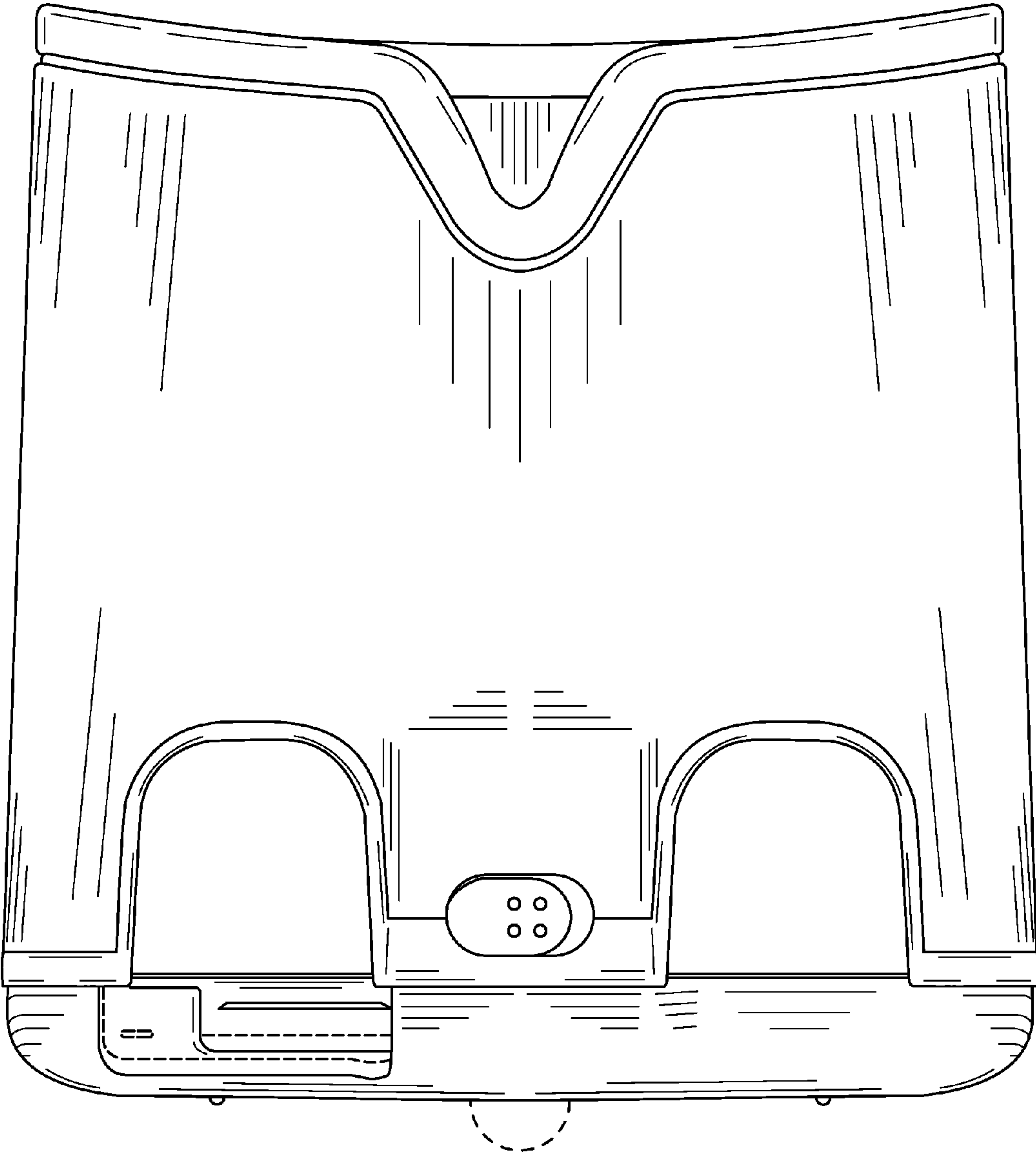


FIG. 8

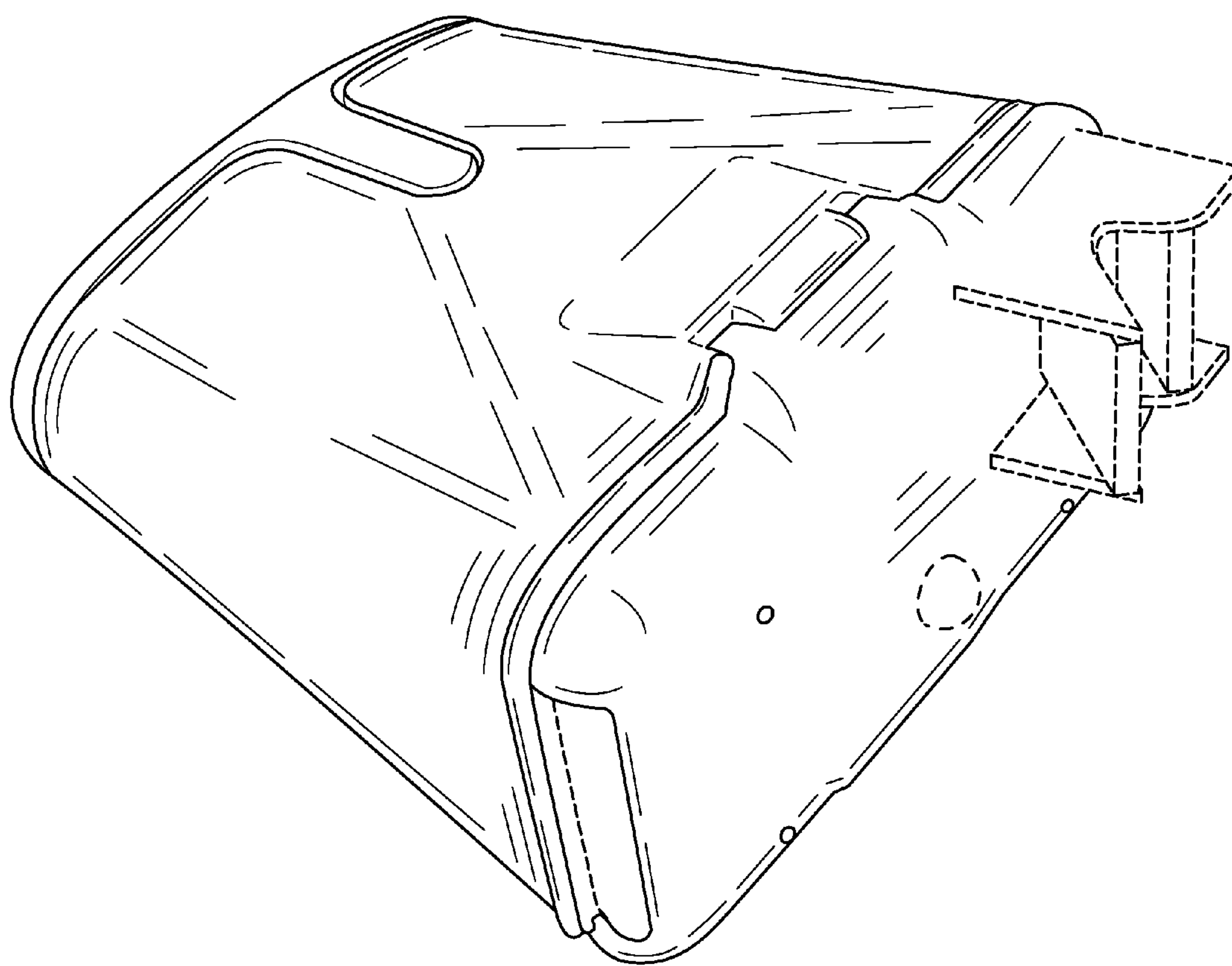


FIG. 9

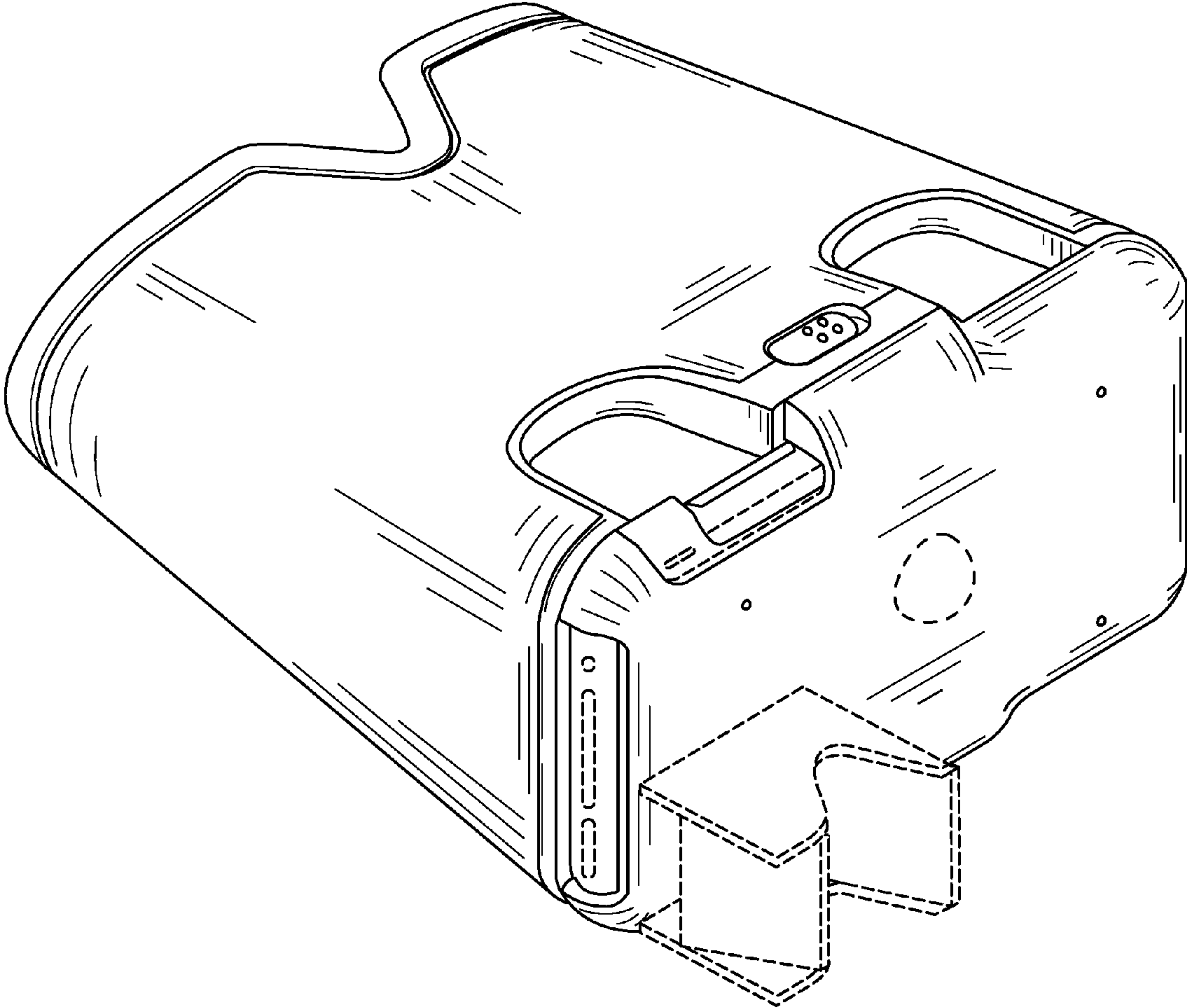


FIG.10

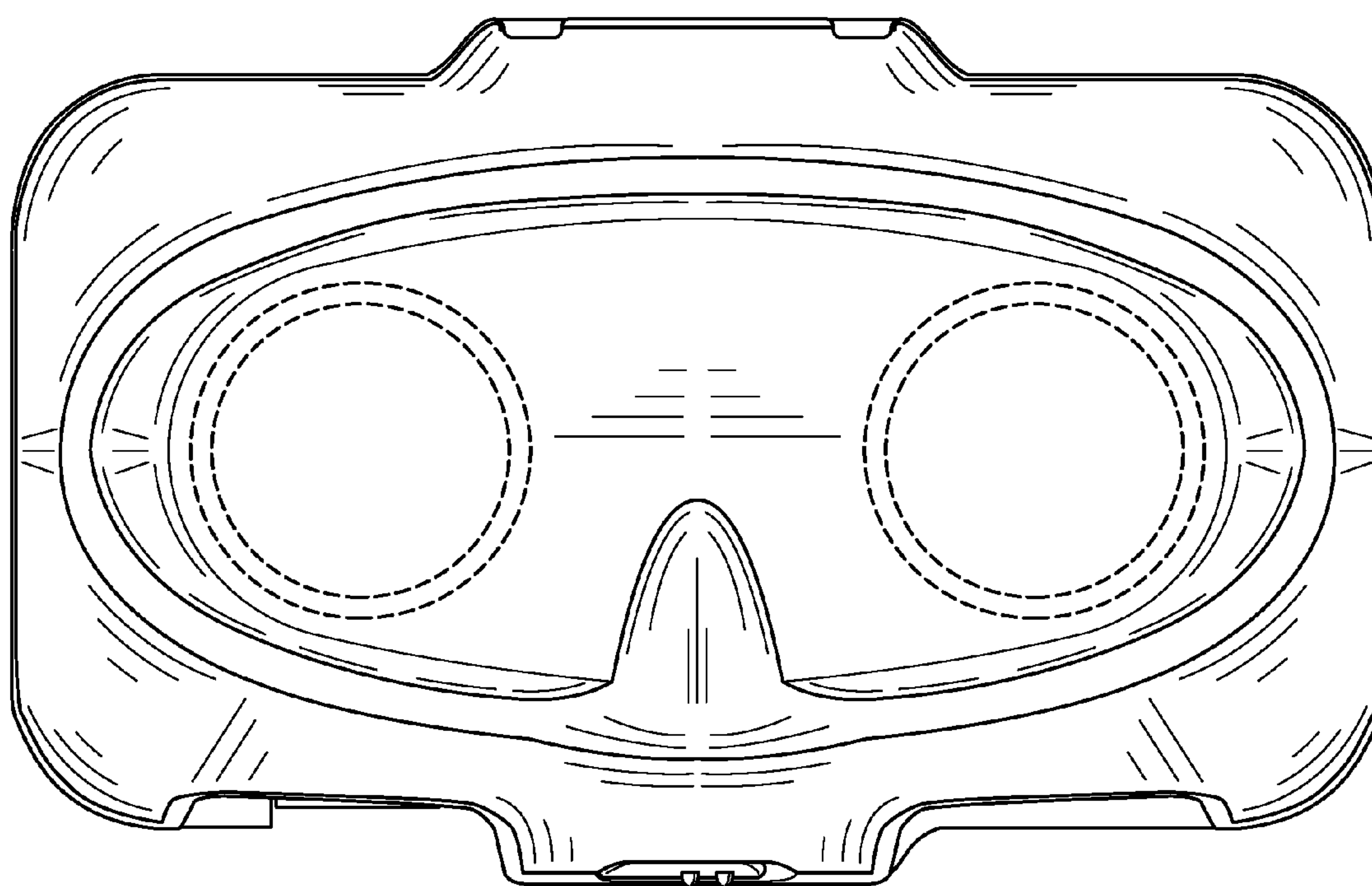


FIG.11

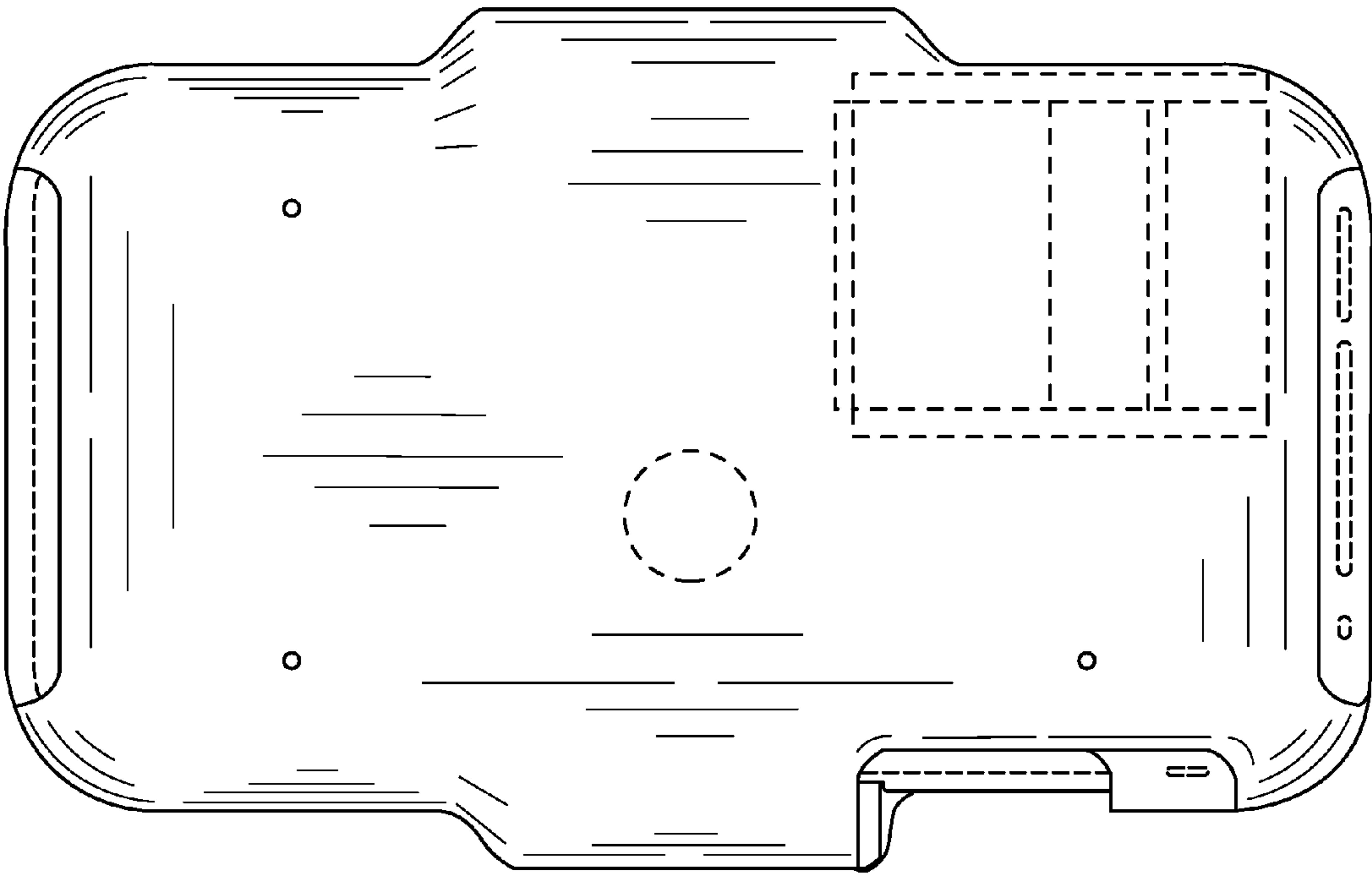


FIG.12



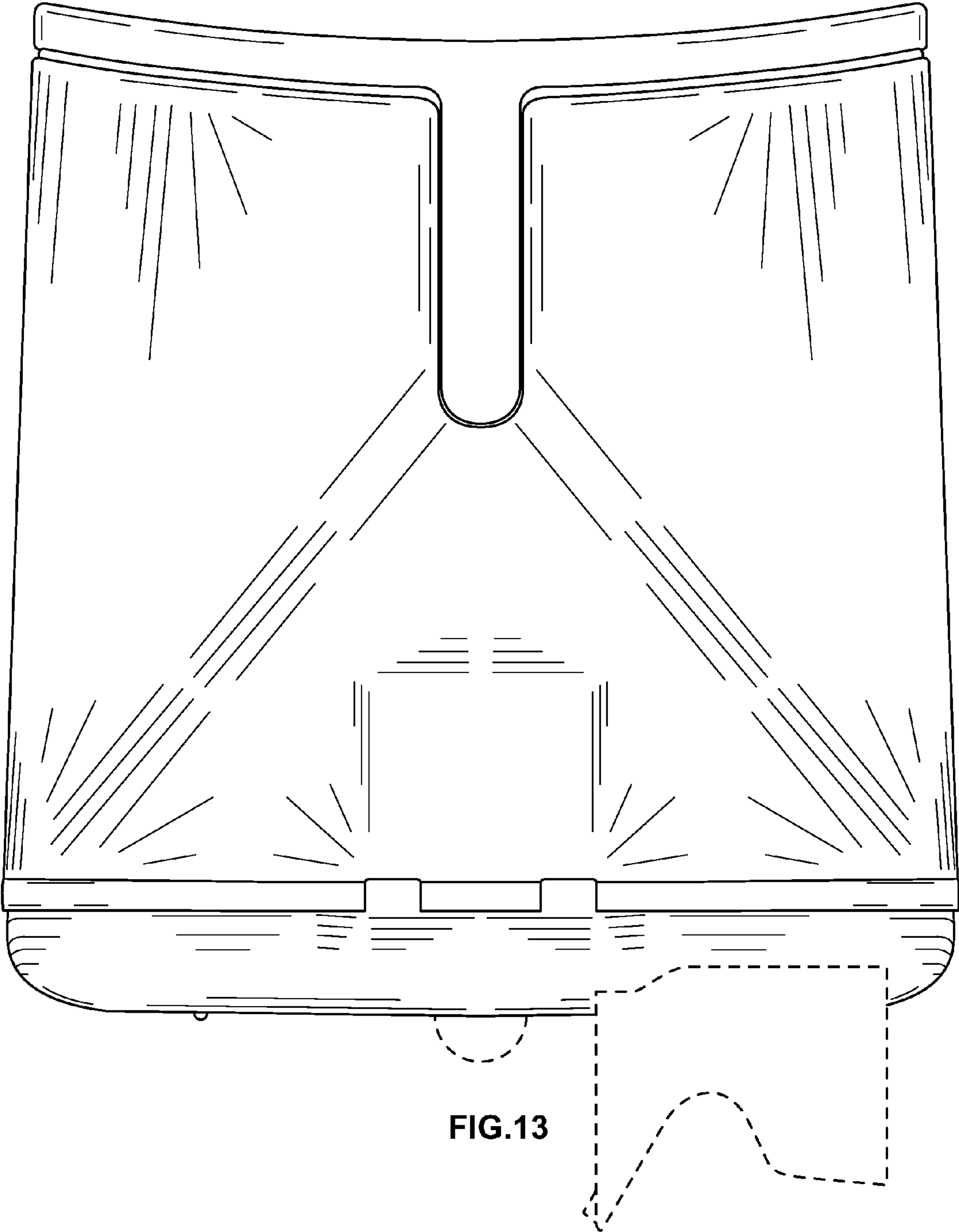


FIG.13

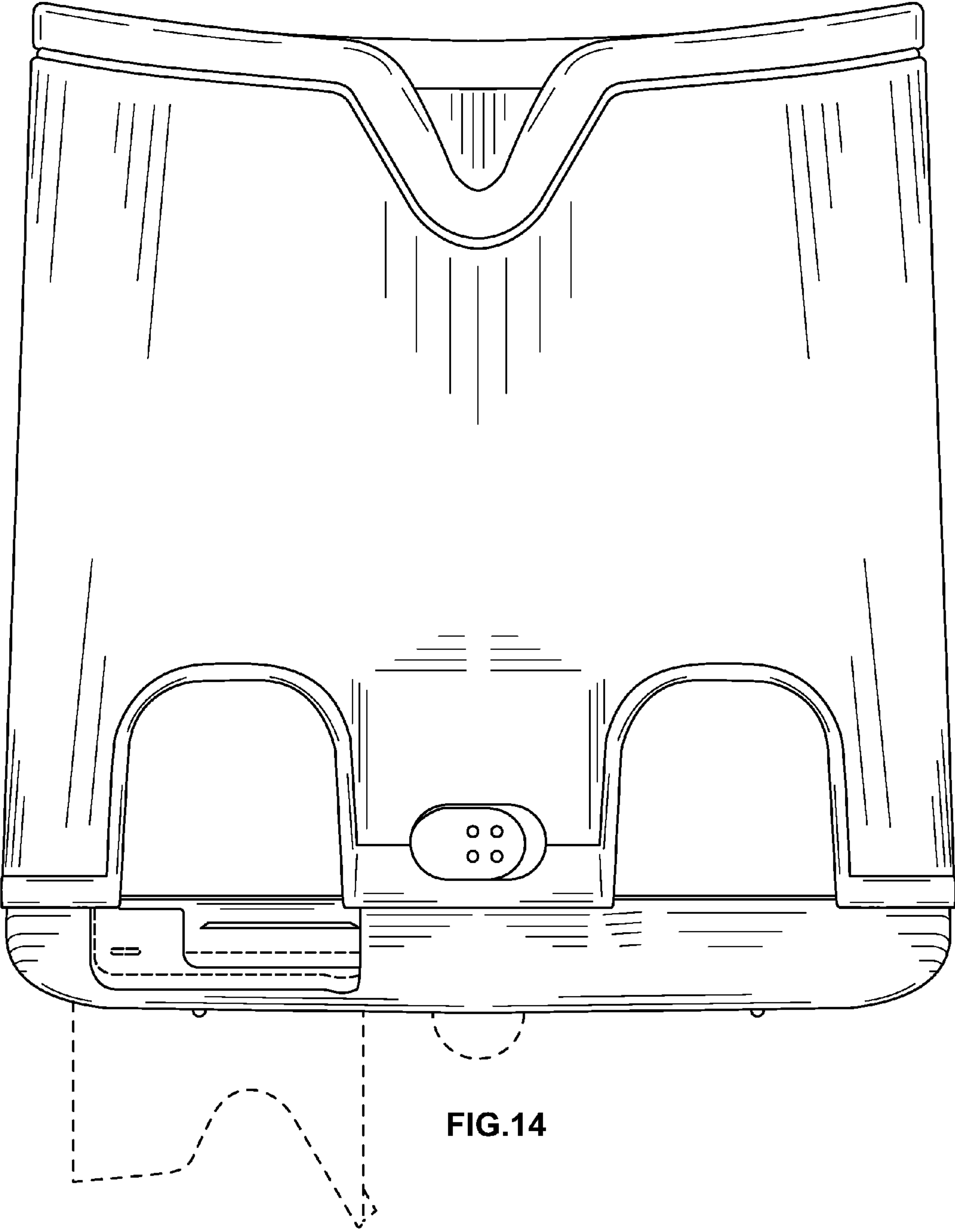


FIG.14

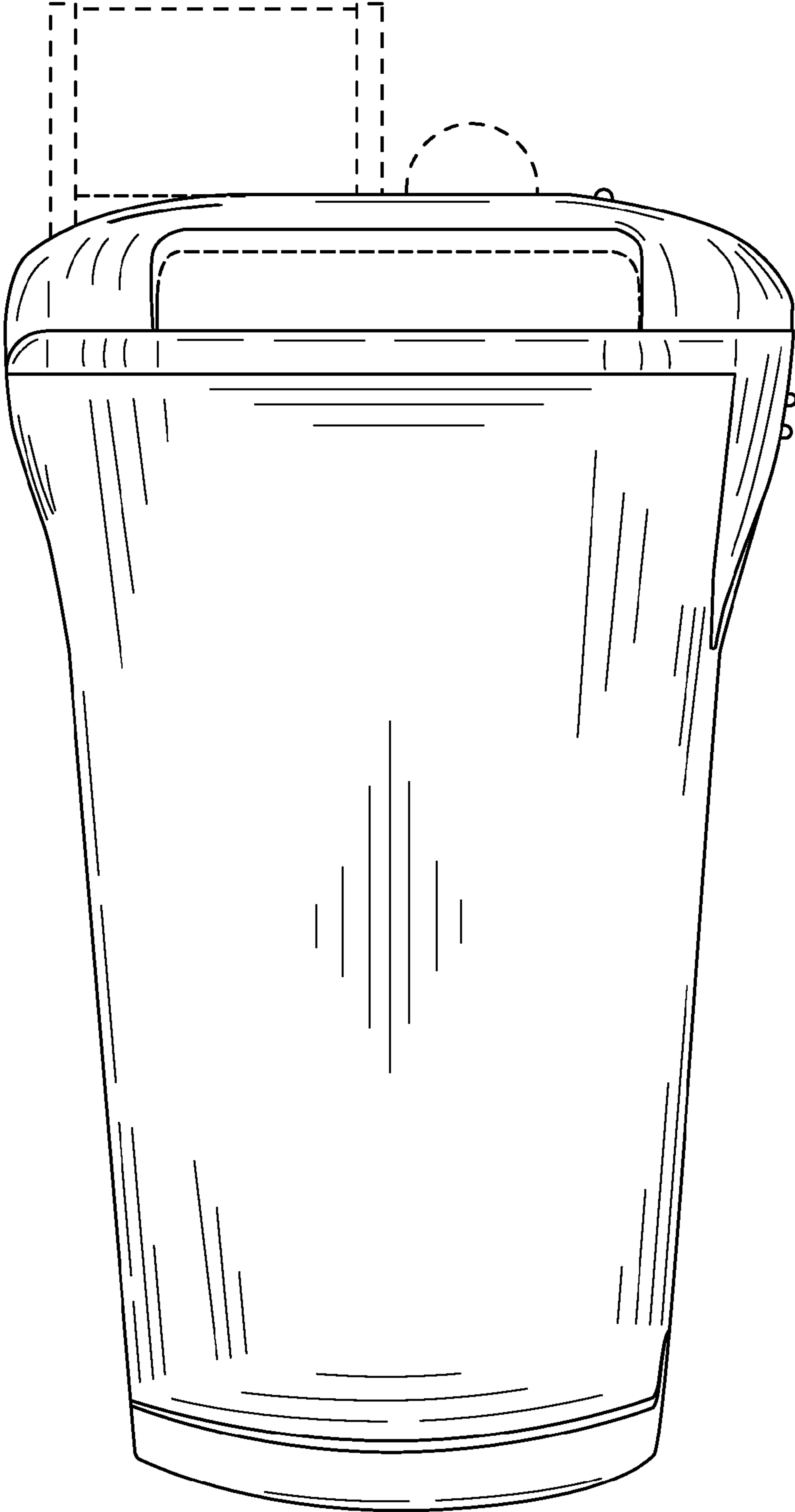


FIG.15

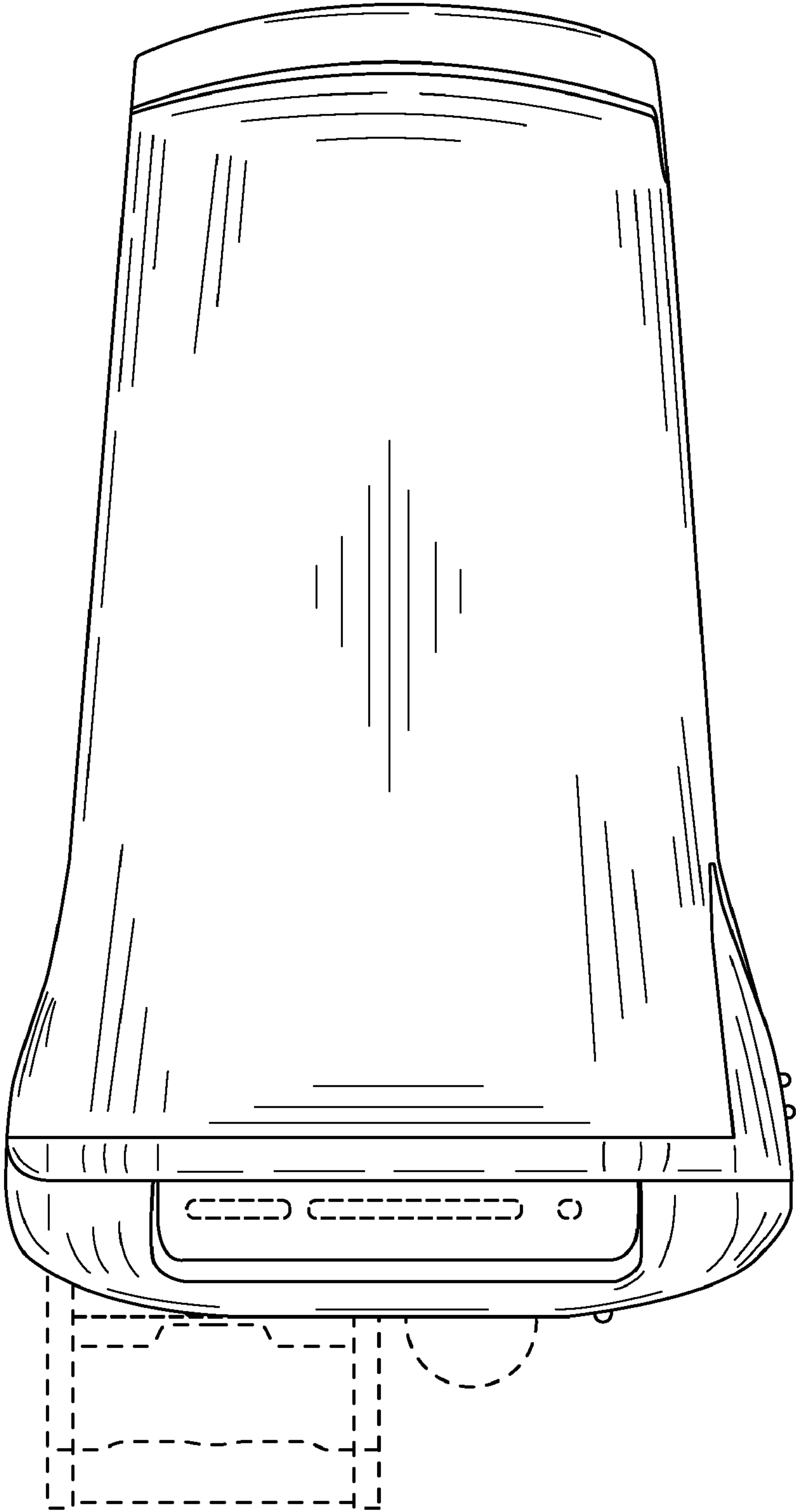


FIG.16