



US00D671157S

(12) **United States Design Patent**
Richardson et al.

(10) **Patent No.:** **US D671,157 S**

(45) **Date of Patent:** **** Nov. 20, 2012**

(54) **CAMERA**

(75) Inventors: **Patrick B. Richardson**, Santa Barbara, CA (US); **Zhen Mei Mao**, Shanghai (CN); **Xiang Li**, Shanghai (CN); **Jonathan Li**, Shanghai (CN)

(73) Assignee: **Flir Systems, Inc.**, Wilsonville, OR (US)

(**) Term: **14 Years**

(21) Appl. No.: **29/401,094**

(22) Filed: **Sep. 7, 2011**

(51) **LOC (9) Cl.** **16-01**

(52) **U.S. Cl.** **D16/202**

(58) **Field of Classification Search** D16/200, D16/202, 203, 204, 208, 212, 218, 242; 348/373, 348/375; 396/427, 535

See application file for complete search history.

(56) **References Cited**

U.S. PATENT DOCUMENTS

D454,902 S *	3/2002	Hsu et al.	D16/218
D487,104 S *	2/2004	Obata	D16/218
D503,182 S *	3/2005	Ogura	D16/202
D527,406 S *	8/2006	Lin	D16/212

D632,718 S *	2/2011	Tzeng	D16/202
D632,719 S *	2/2011	Tsai	D16/242
D641,388 S *	7/2011	Shih et al.	D16/202

OTHER PUBLICATIONS

Current Corporation, World-Premier of the New Night Navigator SOS in Vancouver, Canada, <http://www.currentcorp.com/night-navigator-sos-demo>; Aug. 16, 2011, 1 page.

* cited by examiner

Primary Examiner — Adir Aronovich

(74) *Attorney, Agent, or Firm* — Haynes and Boone, LLP

(57) **CLAIM**

The ornamental design for a camera, as shown and described.

DESCRIPTION

FIG. 1 is a front-left perspective view of a camera embodying our new design;

FIG. 2 is a rear-right perspective view thereof;

FIG. 3 is a front elevational view thereof;

FIG. 4 is a rear elevational view thereof;

FIG. 5 is a right side elevational view thereof;

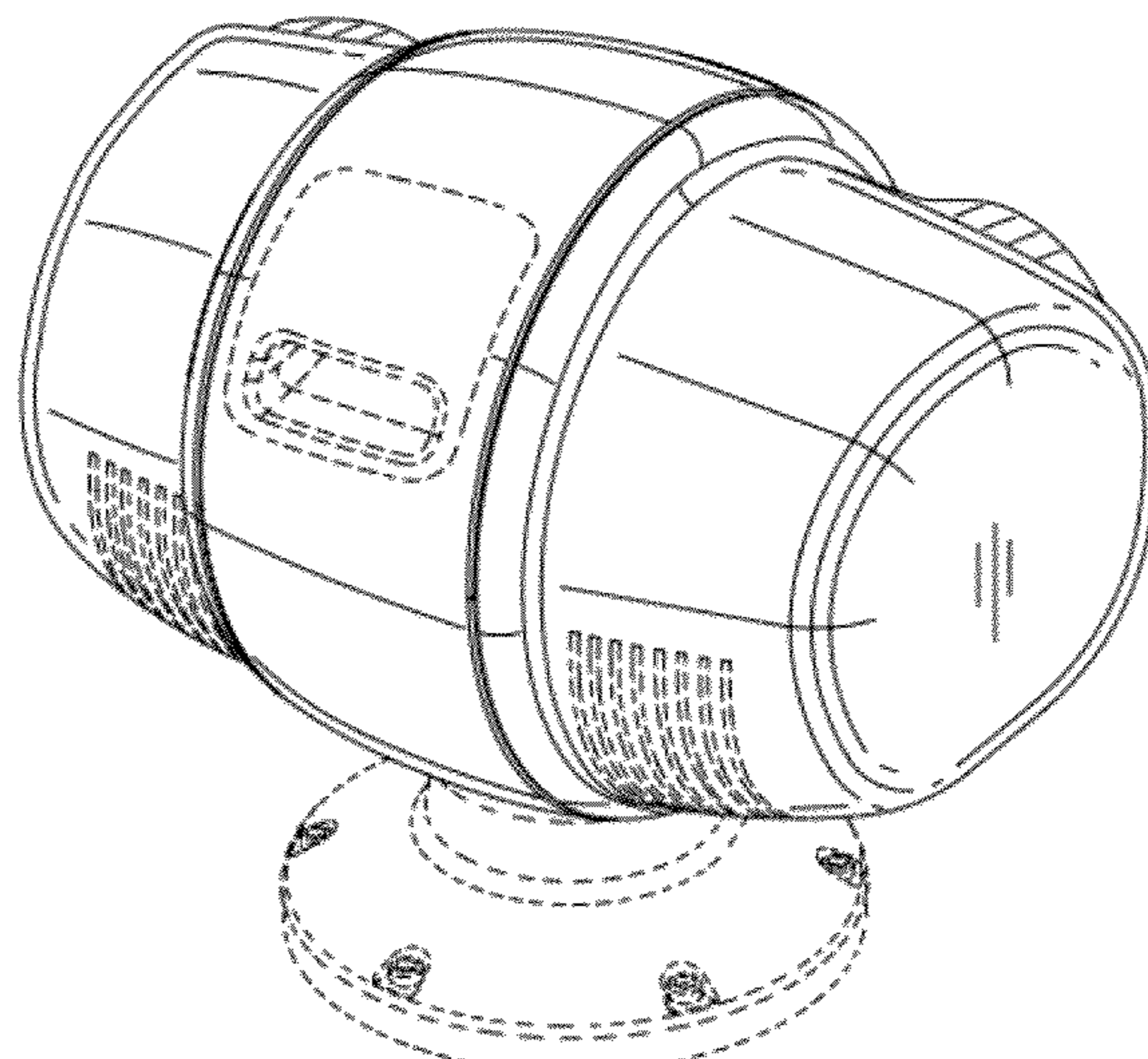
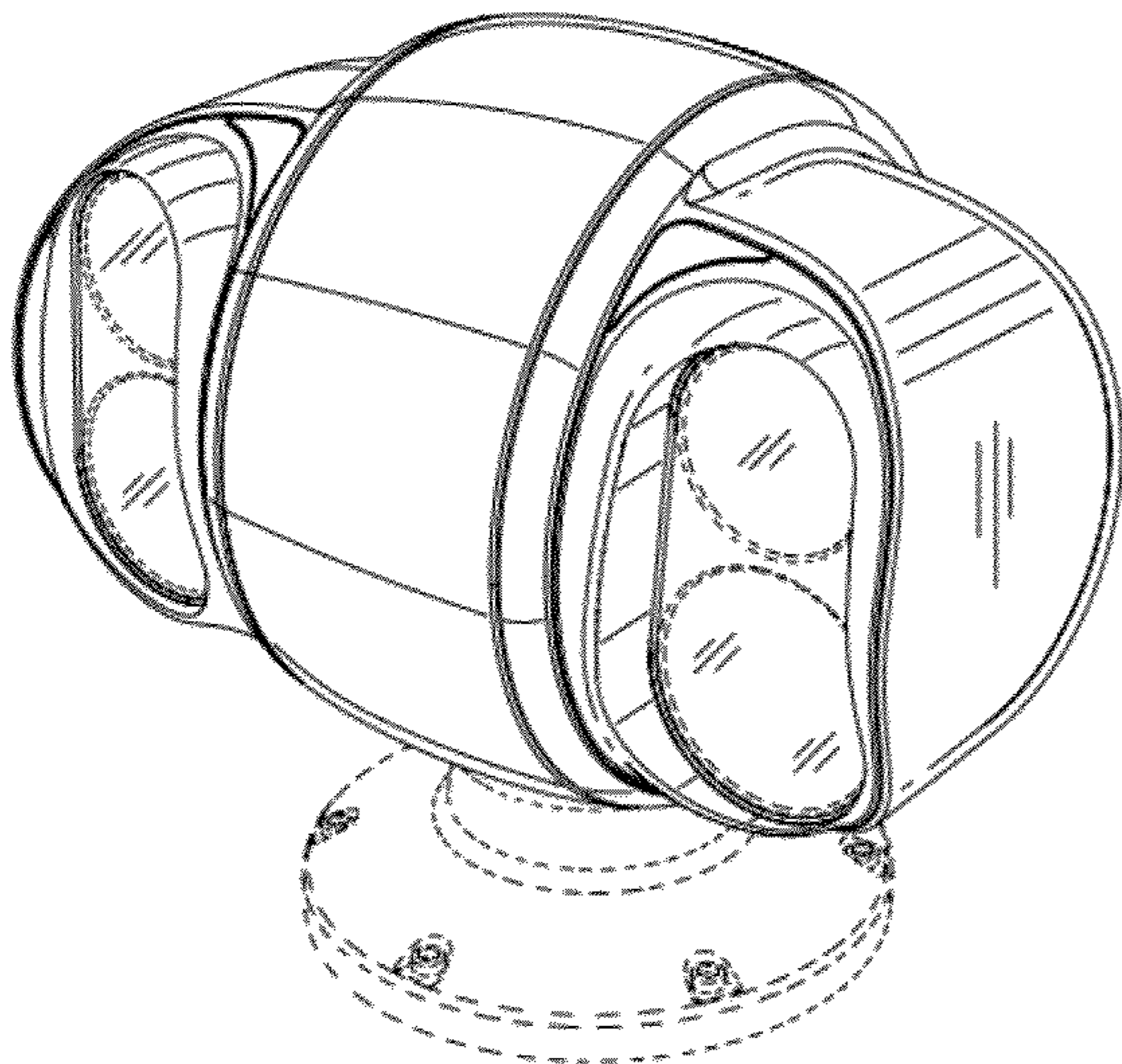
FIG. 6 is a left side elevational view thereof;

FIG. 7 is a top plan view thereof; and,

FIG. 8 is a bottom plan view thereof.

The broken lines in the figures are shown for the purpose of illustrating environmental matter and form no part of the claimed design.

1 Claim, 8 Drawing Sheets



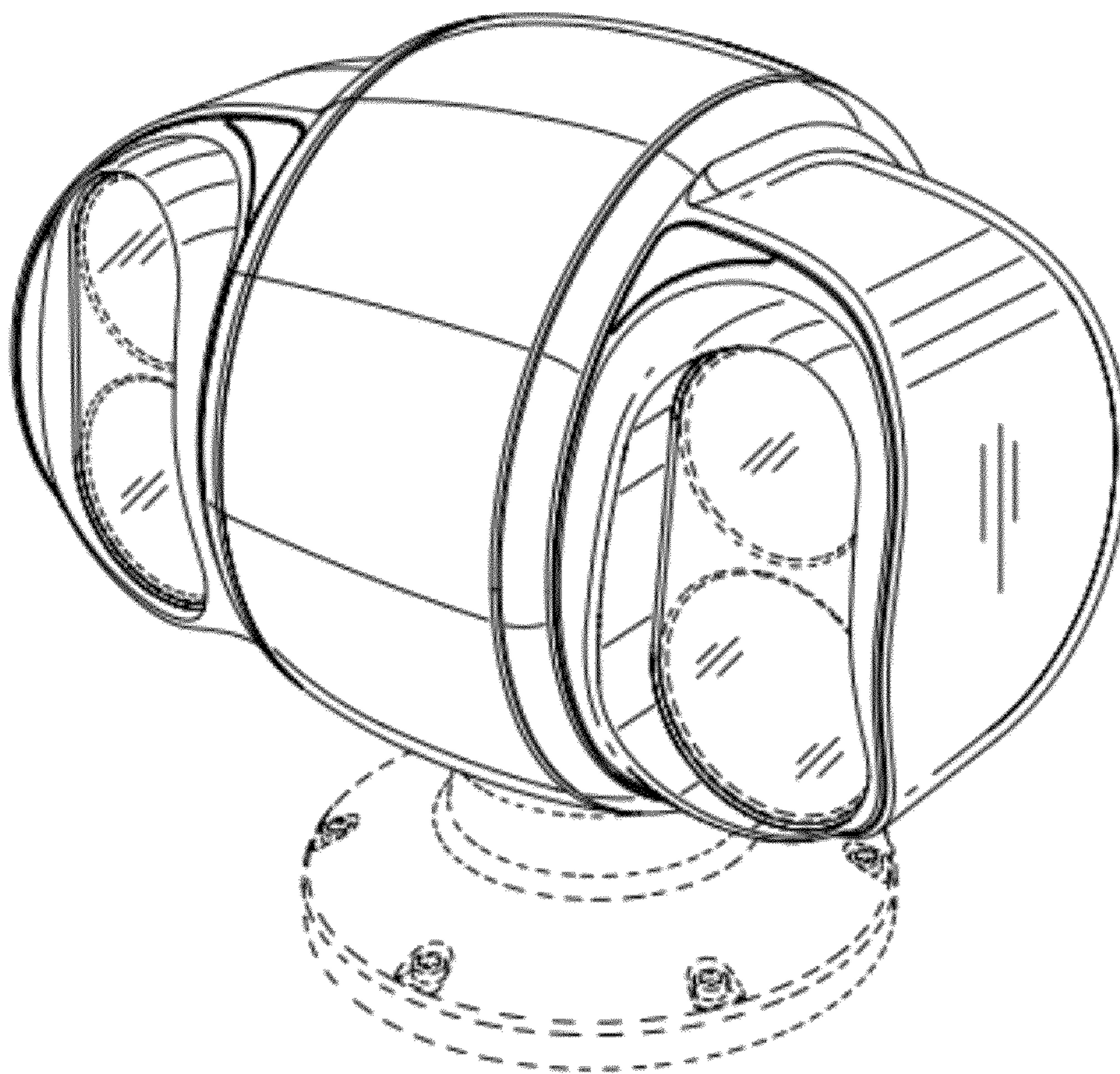


FIG. 1

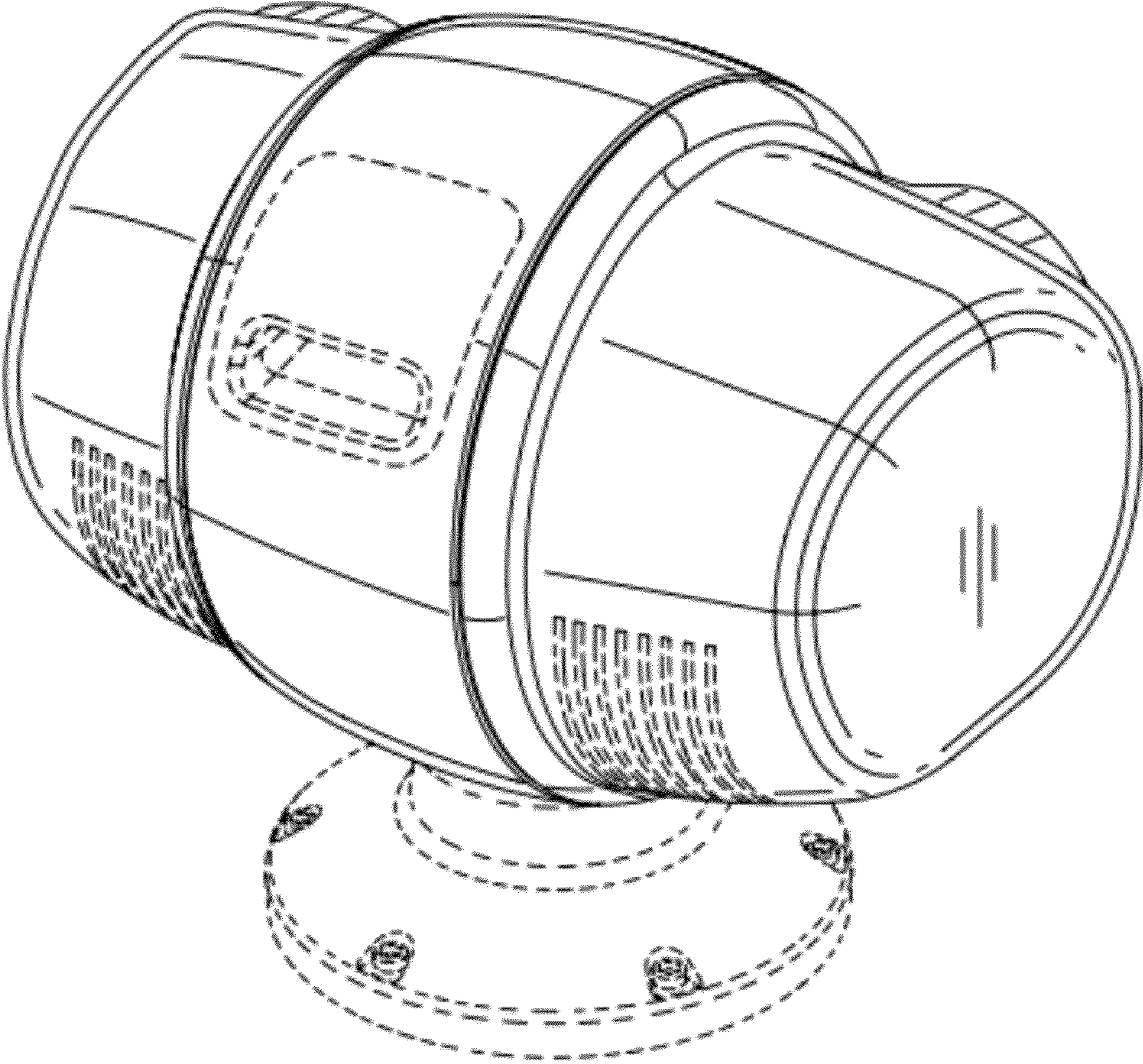


FIG. 2

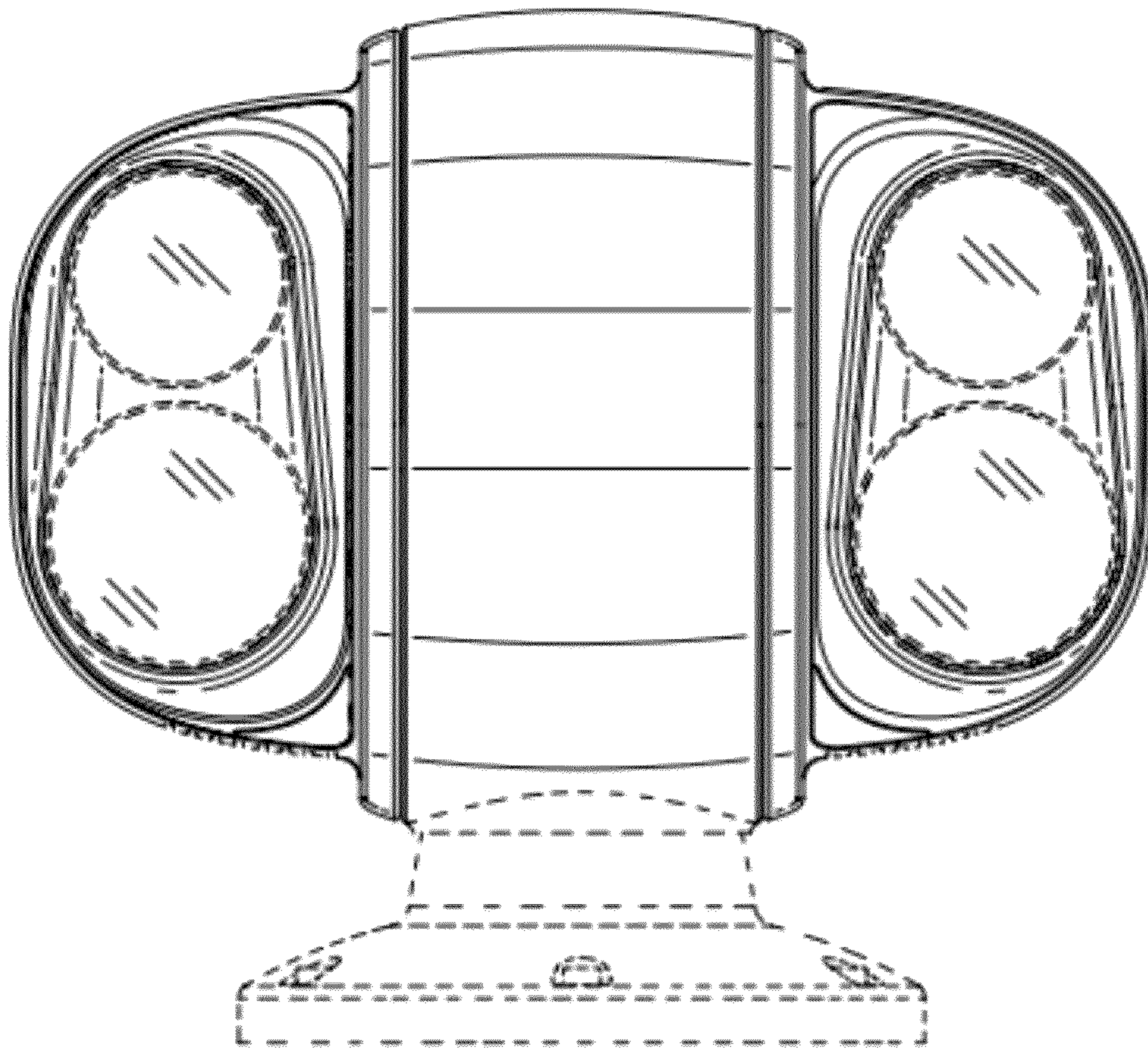


FIG. 3

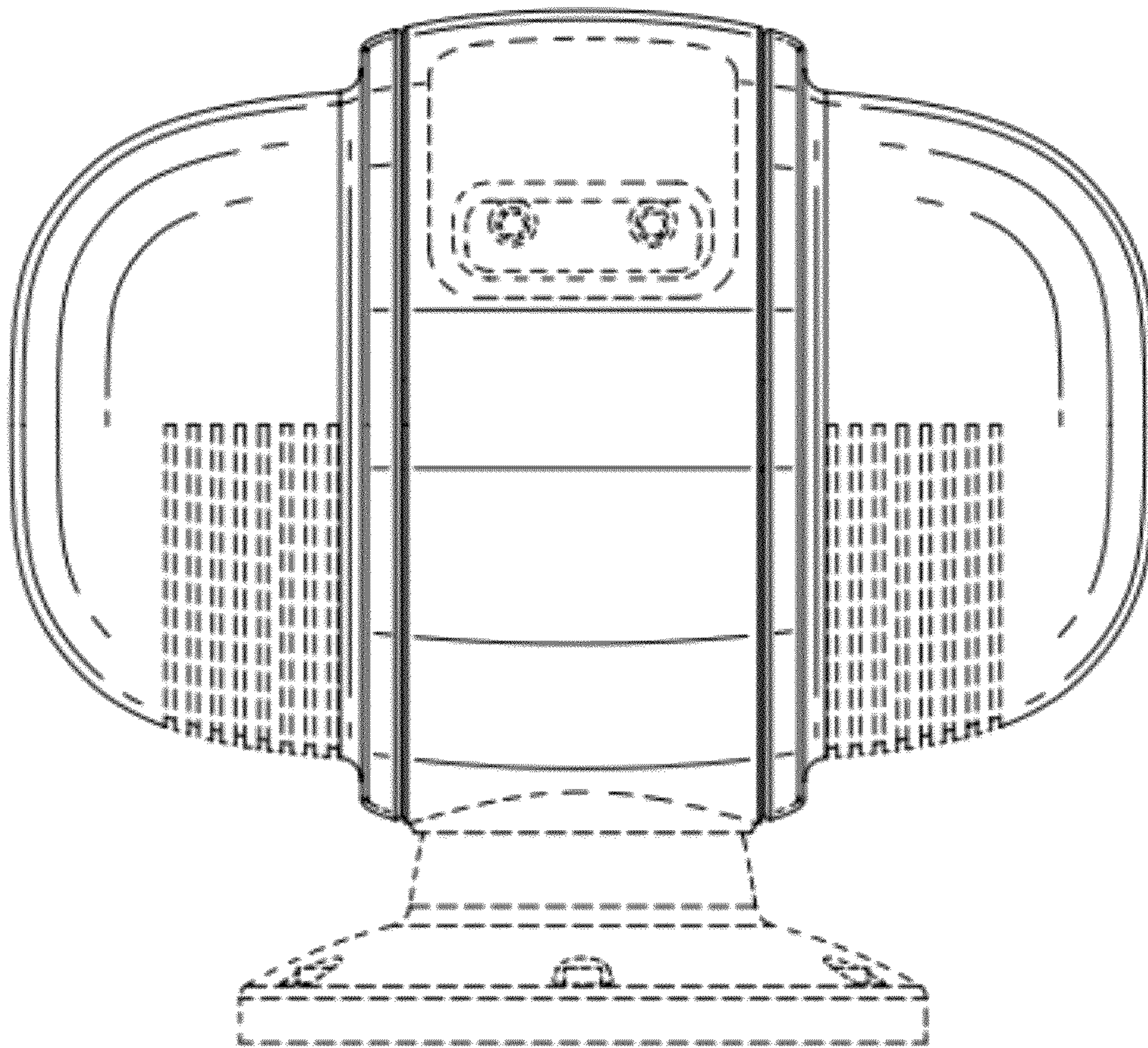


FIG. 4

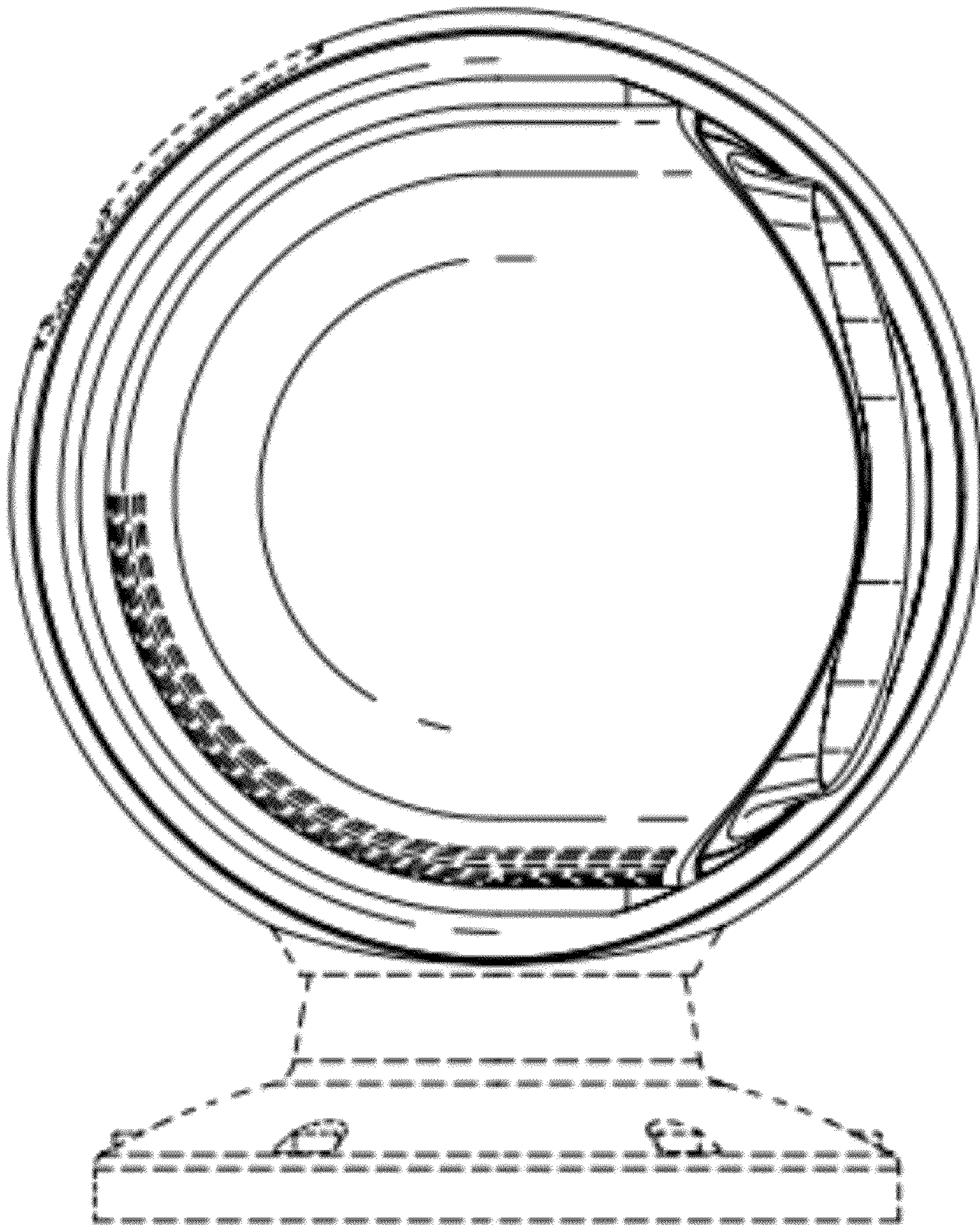


FIG. 5

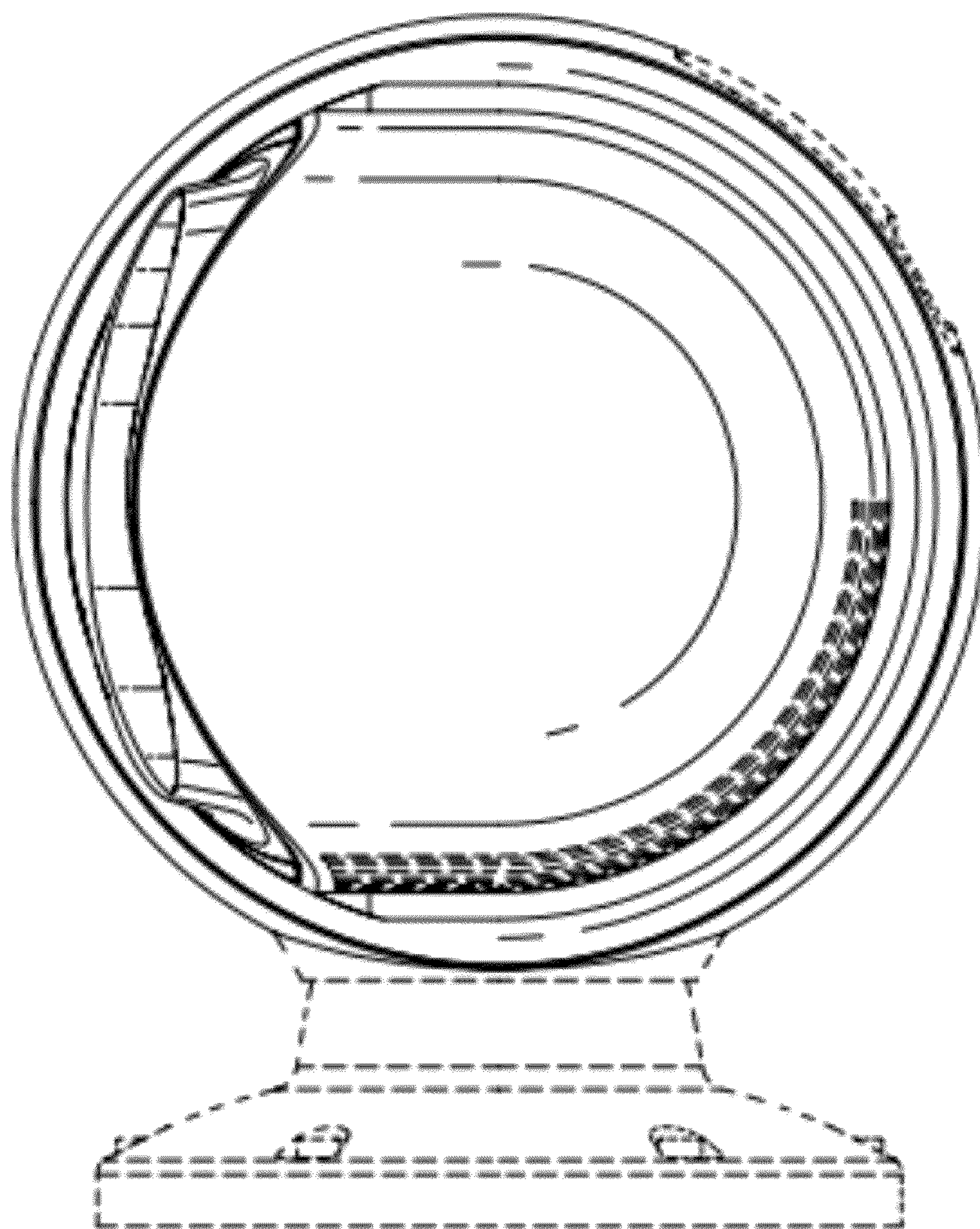


FIG. 6

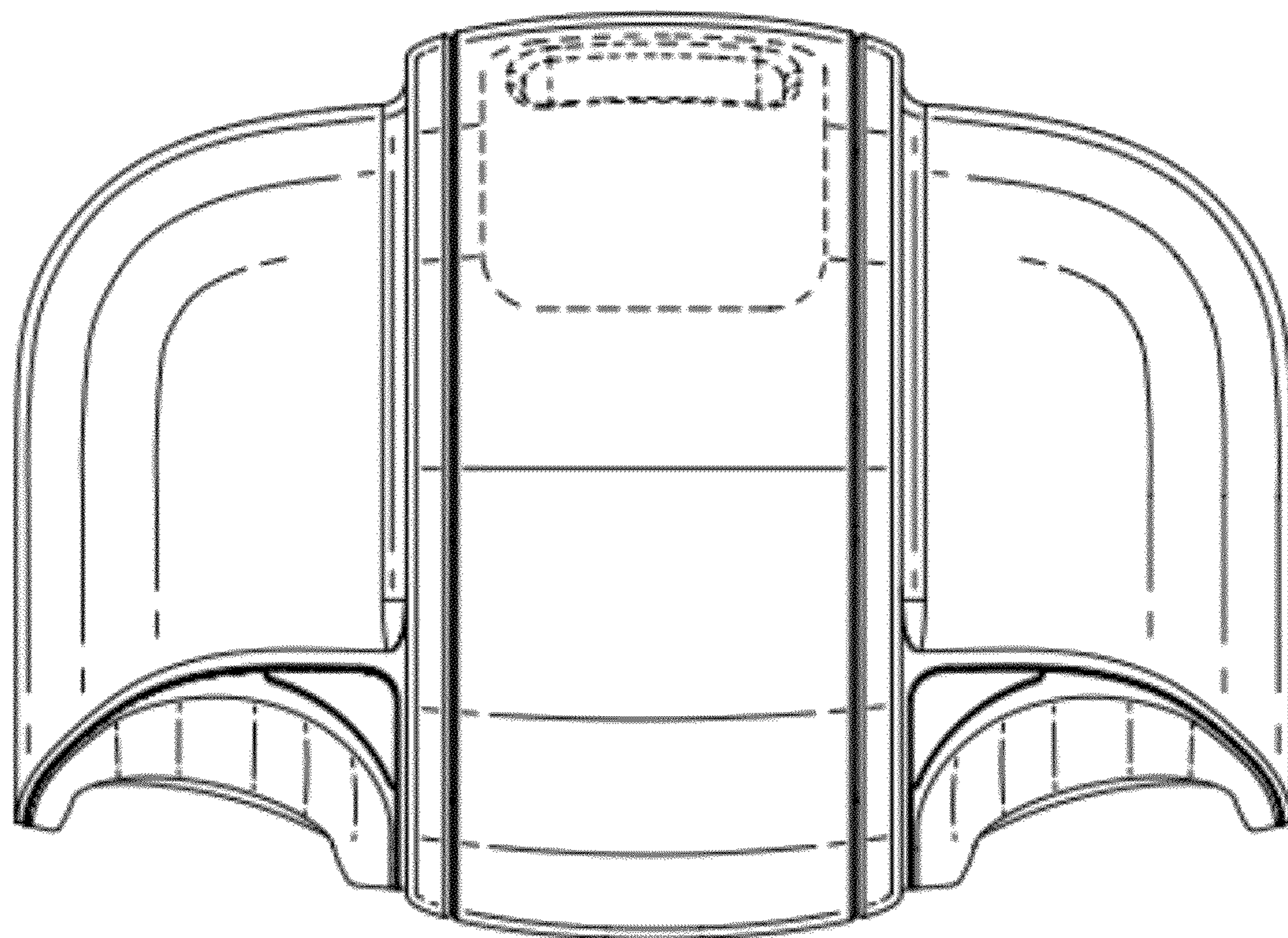


FIG. 7

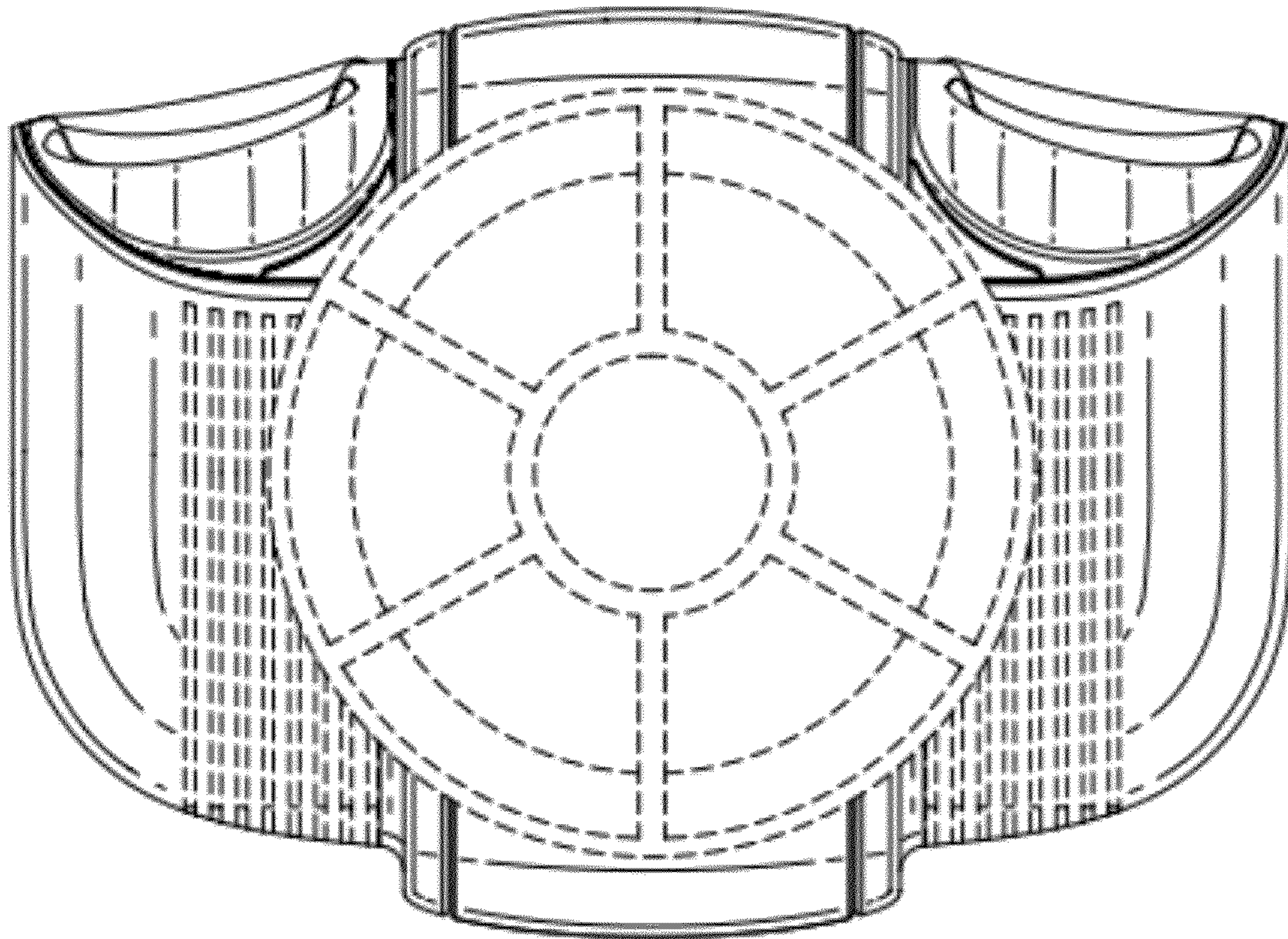


FIG. 8