



US00D671152S

(12) **United States Design Patent**
Seo et al.

(10) **Patent No.:** **US D671,152 S**
(45) **Date of Patent:** **** Nov. 20, 2012**

(54) **REFRIGERATOR**

(75) Inventors: **Woonkyu Seo**, Seoul (KR); **Jungyeon Hwang**, Seoul (KR); **Seonkyu Kim**, Seoul (KR); **Seungjin Yoon**, Gyeonggi-do (KR); **Daesung Lee**, Gyeonggi-do (KR)

(73) Assignee: **LG Electronics Inc.**, Seoul (KR)

(**) Term: **14 Years**

(21) Appl. No.: **29/411,672**

(22) Filed: **Jan. 25, 2012**

(30) **Foreign Application Priority Data**

Jul. 28, 2011 (KR) 30-2011-0031623

(51) **LOC (9) Cl.** **15-07**

(52) **U.S. Cl.** **D15/89**

(58) **Field of Classification Search** D15/79-90;
62/3.6, 3.63, 3.64, 293, 331, 371, 440-445,
62/467; 312/112-119, 236, 440-408, 138.1,
312/139.1

See application file for complete search history.

(56) **References Cited**

U.S. PATENT DOCUMENTS

D326,461 S * 5/1992 Nakao et al. D15/86
D429,259 S * 8/2000 Goshima et al. D15/86

D457,536 S * 5/2002 Goshima et al. D15/86
6,447,083 B1 * 9/2002 Chiapetta et al. 312/404
6,565,170 B2 * 5/2003 Banicevic et al. 312/404
D491,204 S * 6/2004 Sagawa et al. D15/86
7,950,754 B2 * 5/2011 Brown et al. 312/402
D656,968 S * 4/2012 Hwang et al. D15/86

* cited by examiner

Primary Examiner — Mitchell Siegel

(74) *Attorney, Agent, or Firm* — Morgan, Lewis & Bockius LLP

(57) **CLAIM**

The ornamental design for a refrigerator, as shown and described.

DESCRIPTION

FIG. 1 is a perspective view of a refrigerator showing our new design;

FIG. 2 is a front view thereof;

FIG. 3 is a rear view thereof;

FIG. 4 is a left side view thereof;

FIG. 5 is a right side view thereof;

FIG. 6 is a top plan view thereof;

FIG. 7 is a bottom plan view thereof; and,

FIG. 8 is a perspective view thereof showing the state that the outside door of the lower-left part of the refrigerator has been opened.

The broken lines are for illustrative purposes only and form no part of the claimed design.

1 Claim, 8 Drawing Sheets

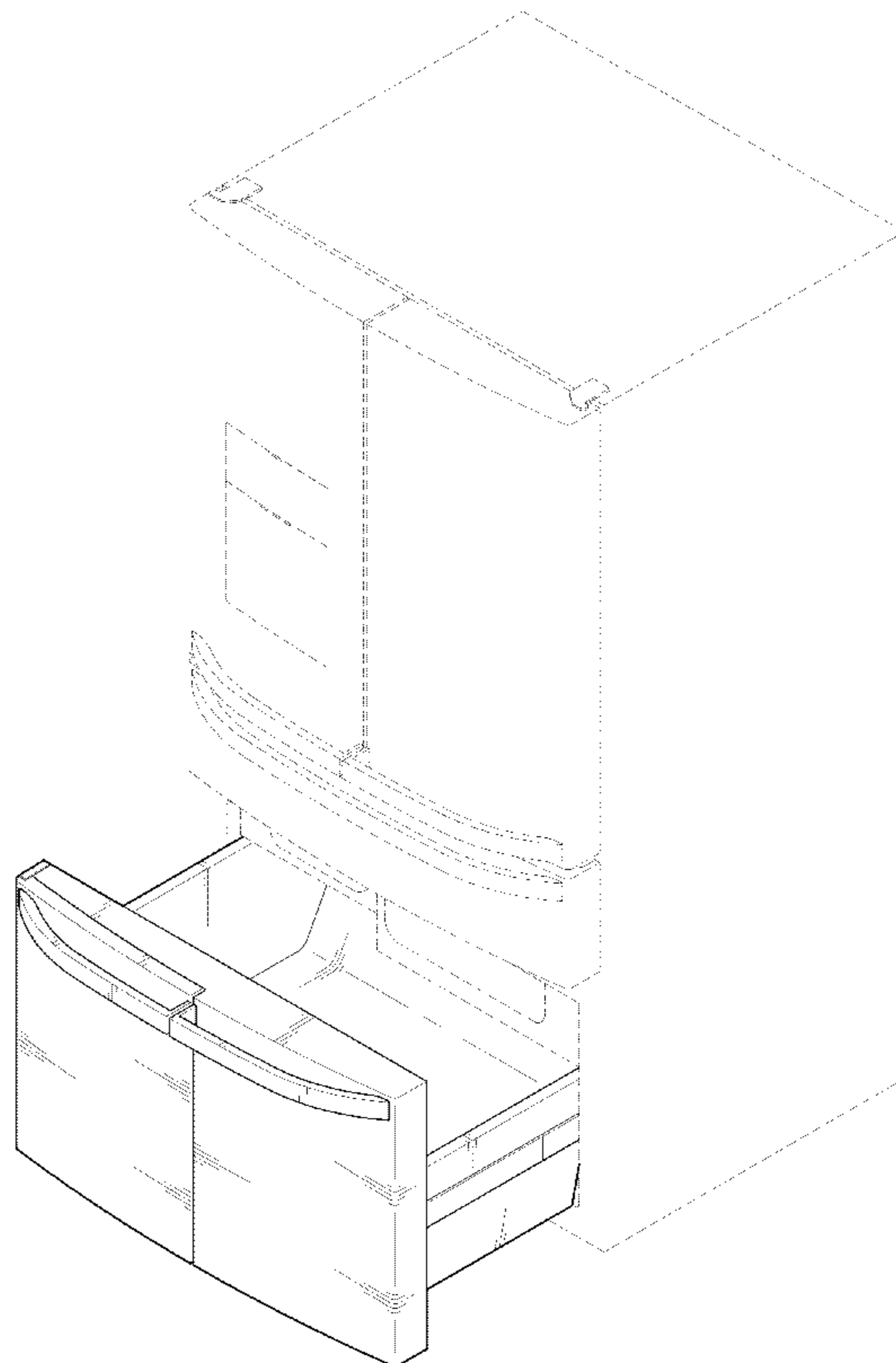


FIG. 1

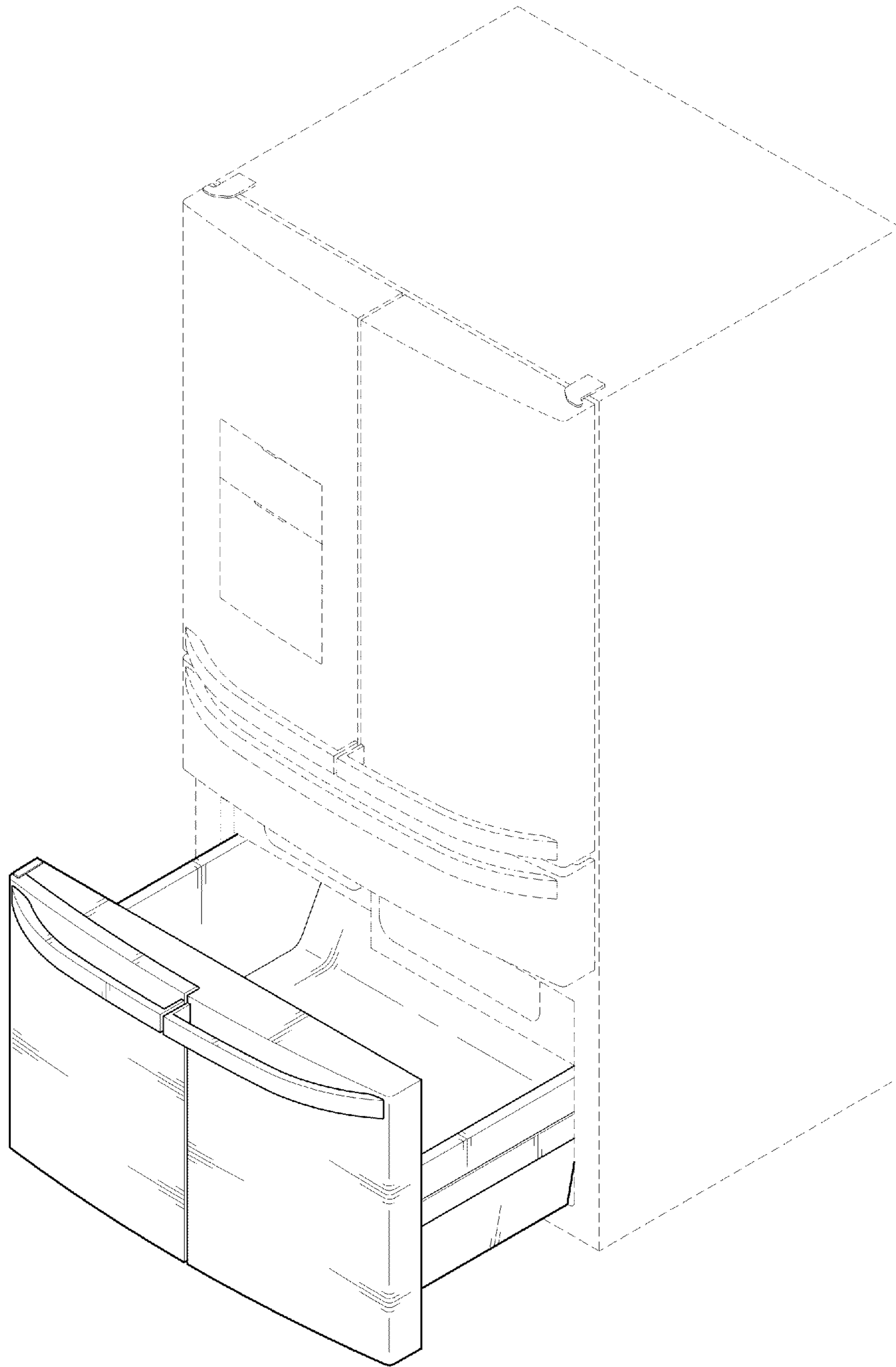


FIG. 2

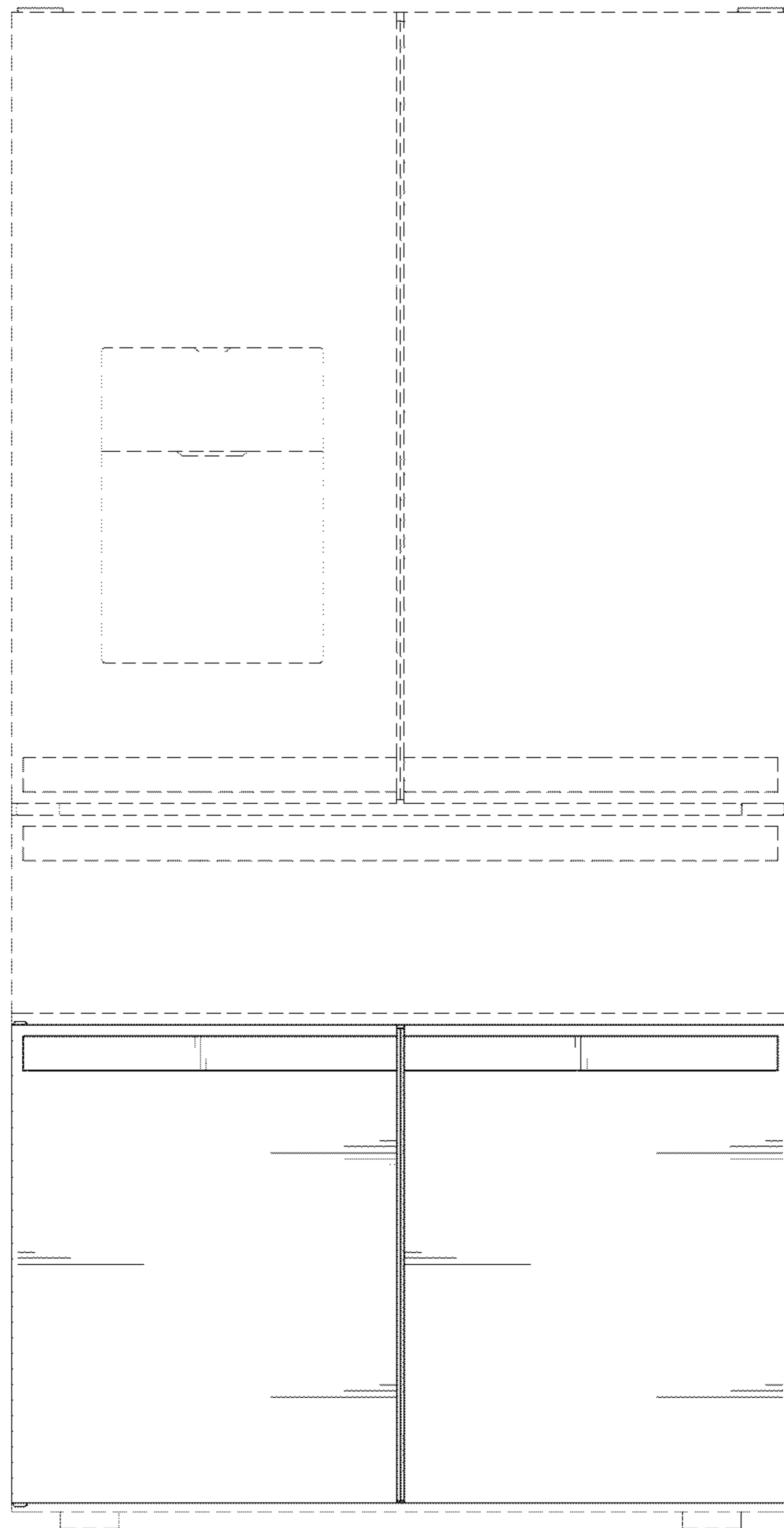


FIG. 3



FIG. 4

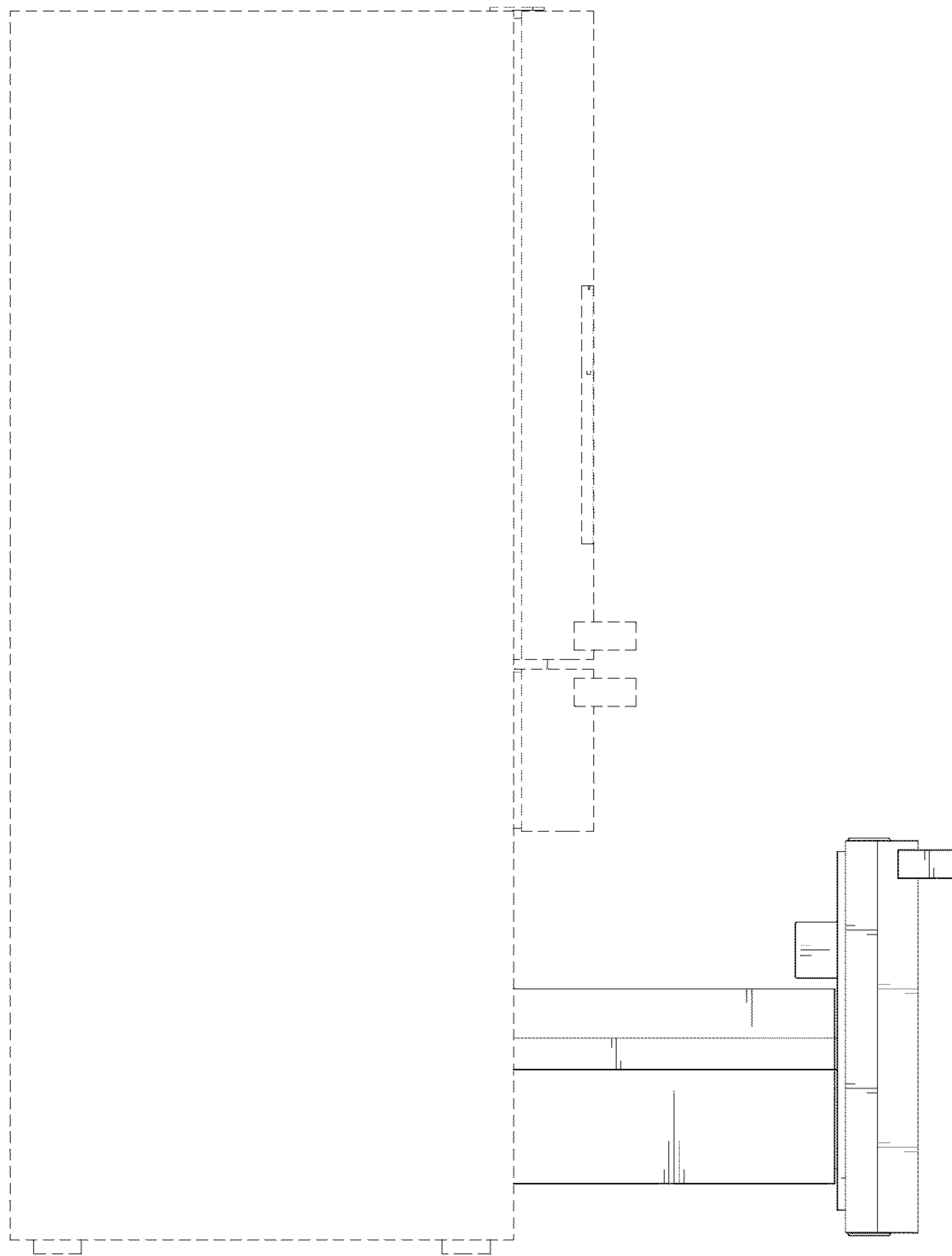


FIG. 5

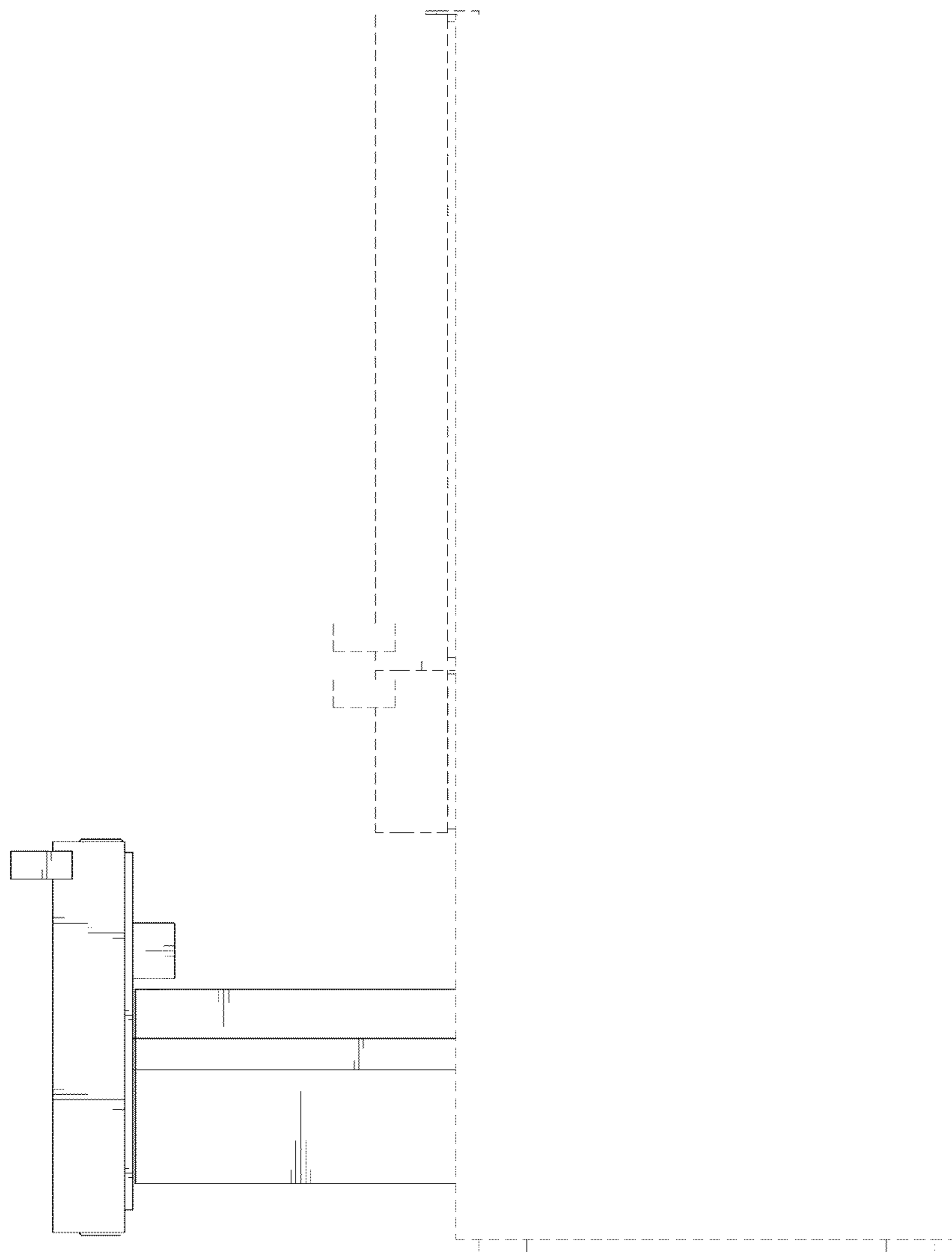


FIG. 6

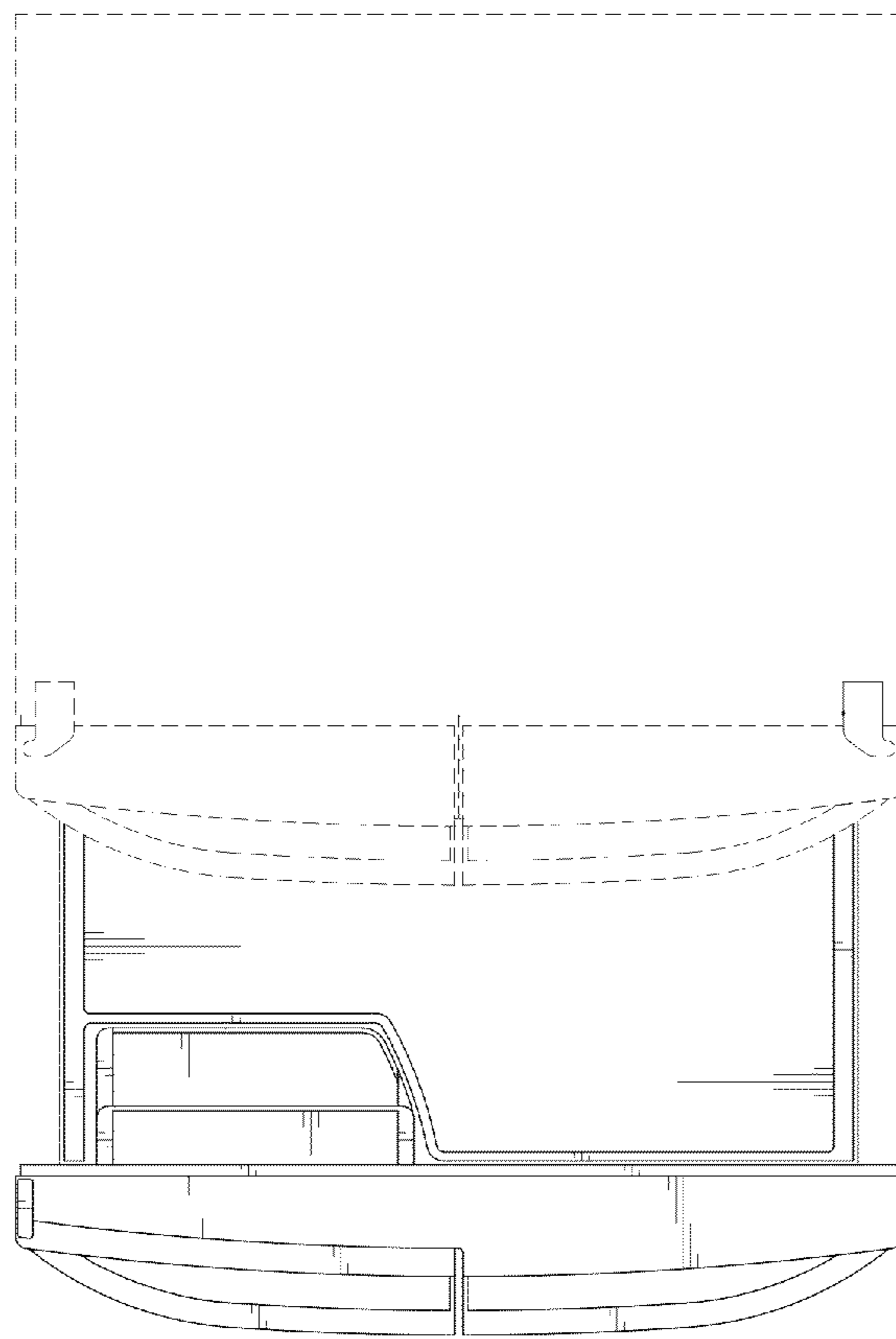


FIG. 7

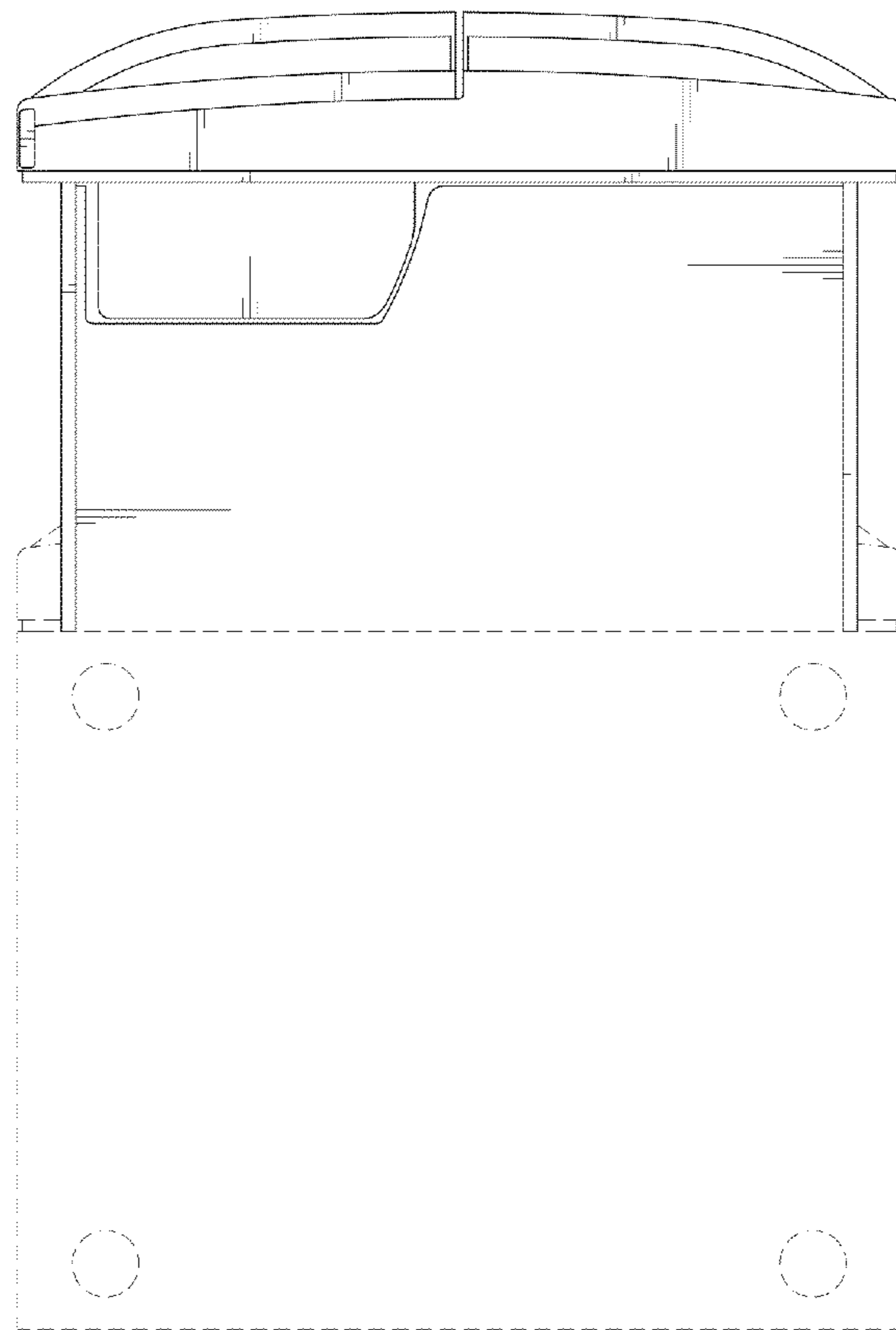


FIG. 8

