



US00D671148S

(12) **United States Design Patent**
Kim

(10) **Patent No.:** **US D671,148 S**

(45) **Date of Patent:** **** Nov. 20, 2012**

(54) **REFRIGERATOR**

(76) **Inventor:** **Brian S. Kim**, Rancho Palos Verdes, CA
(US)

(**) **Term:** **14 Years**

(21) **Appl. No.:** **29/400,113**

(22) **Filed:** **Aug. 23, 2011**

(51) **LOC (9) Cl.** **15-07**

(52) **U.S. Cl.** **D15/81**

(58) **Field of Classification Search** D15/79,
D15/81, 85-86, 91; 312/236, 352, 400-408;
62/3.1, 3.6, 3.63, 3.64, 45.1, 236, 293, 331,
62/352, 371, 400-406, 440, 467, 529, 531,
62/457.1-457.9

See application file for complete search history.

(56) **References Cited**

U.S. PATENT DOCUMENTS

D179,146 S	*	11/1956	Munz et al.	D15/86
D205,107 S	*	6/1966	Constantini et al.	D15/85
D230,803 S	*	3/1974	Musgrave et al.	D6/470
D243,985 S	*	4/1977	Brown	D15/85
D244,019 S	*	4/1977	Brown	D15/88
D308,212 S	*	5/1990	Dallman	D15/85
D449,843 S	*	10/2001	Kim	D15/81
D449,844 S	*	10/2001	Kim	D15/81

D474,211 S	*	5/2003	Jones et al.	D15/91
D514,603 S	*	2/2006	Ikeda	D15/85
D516,592 S	*	3/2006	Ikeda	D15/85
D565,065 S	*	3/2008	Martin et al.	D15/91
D610,593 S	*	2/2010	Ikeda	D15/85
D611,069 S	*	3/2010	Ikeda	D15/85
D618,257 S	*	6/2010	Hanamure et al.	D15/79
D650,399 S	*	12/2011	Kim	D15/91

* cited by examiner

Primary Examiner — Mitchell Siegel

(74) *Attorney, Agent, or Firm* — John K. Park; Park Law Firm

(57) **CLAIM**

The ornamental design for a refrigerator, as shown and described.

DESCRIPTION

FIG. 1 is a perspective view of a refrigerator having one door according to the present invention;

FIG. 2 is a front elevation view thereof;

FIG. 3 is a side elevation view thereof;

FIG. 4 is a top plan view thereof; and,

FIG. 5 is a bottom elevation view thereof.

The broken line showing of environment is for illustrative purposes only and forms no part of the claimed design.

1 Claim, 4 Drawing Sheets

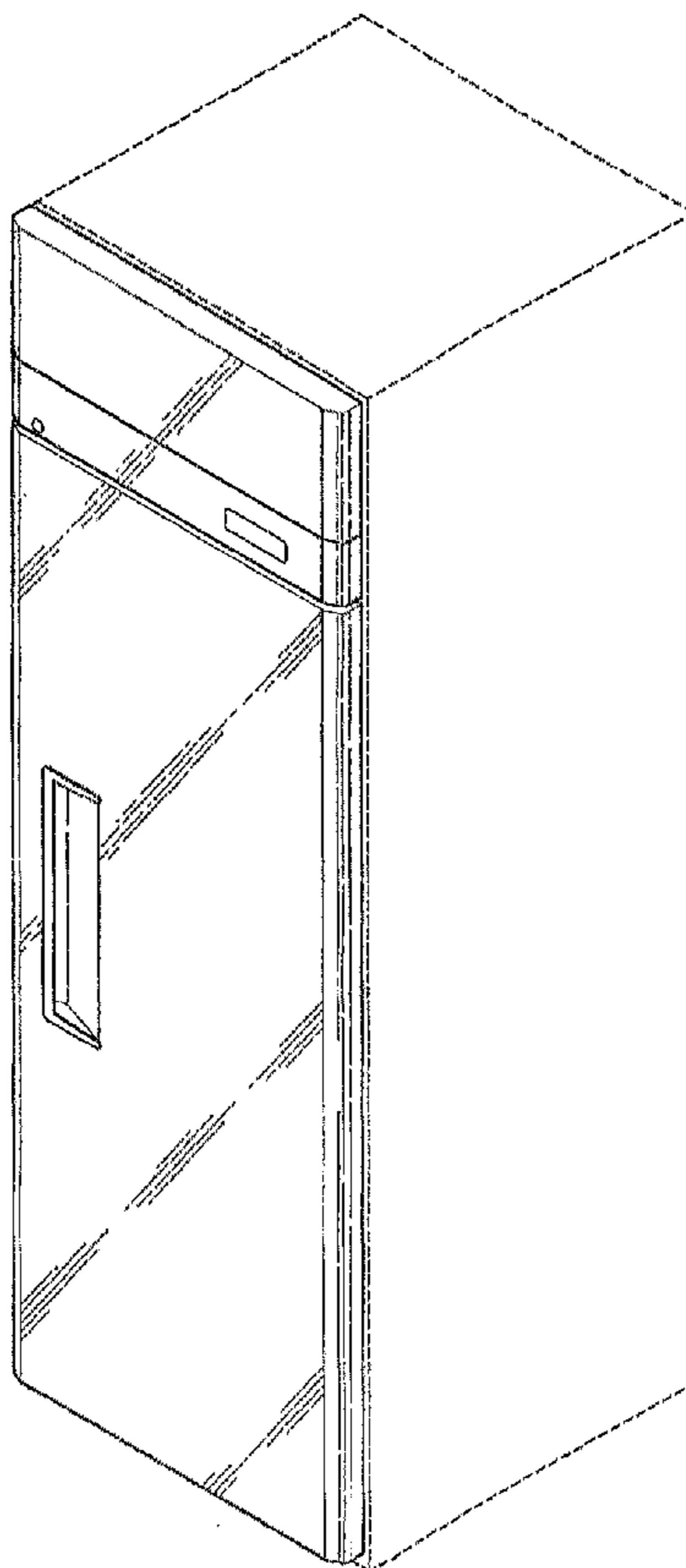


FIG. 1

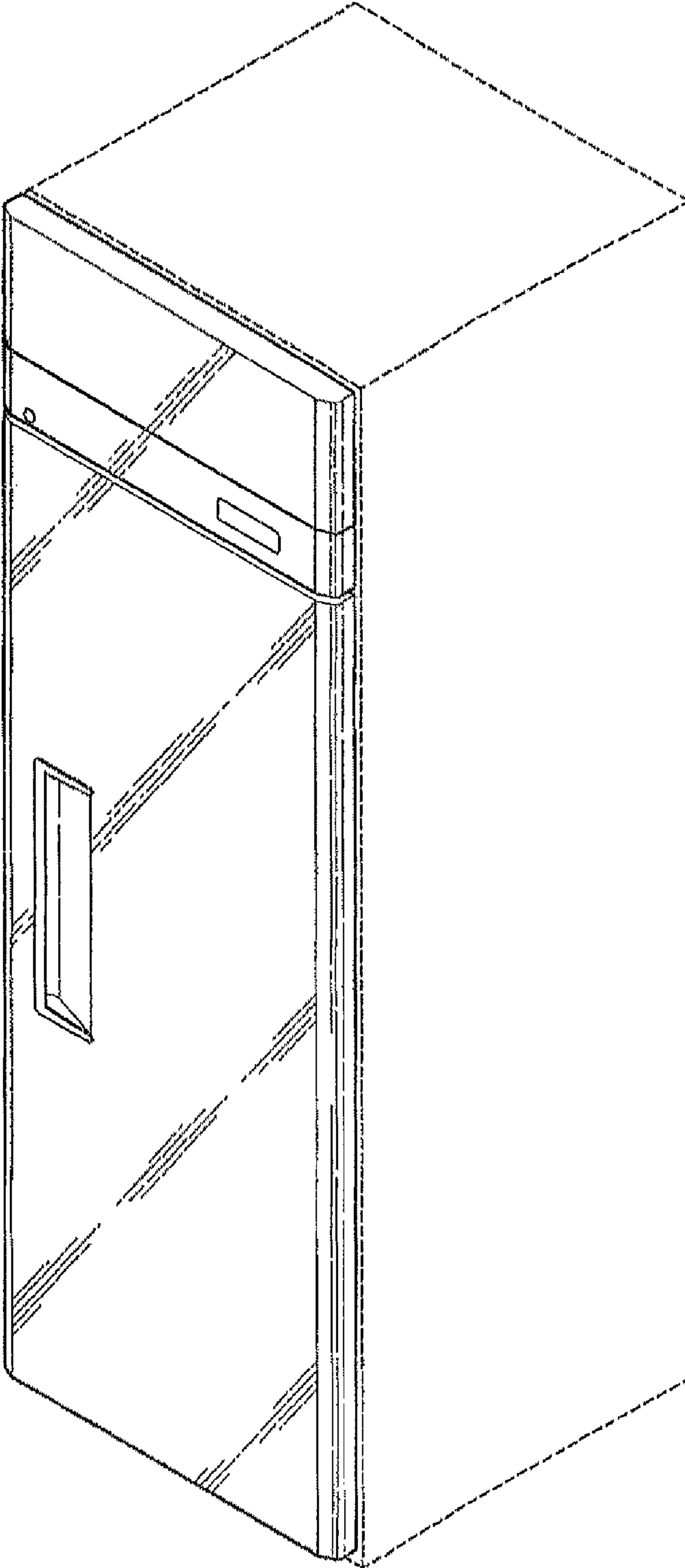


FIG. 2

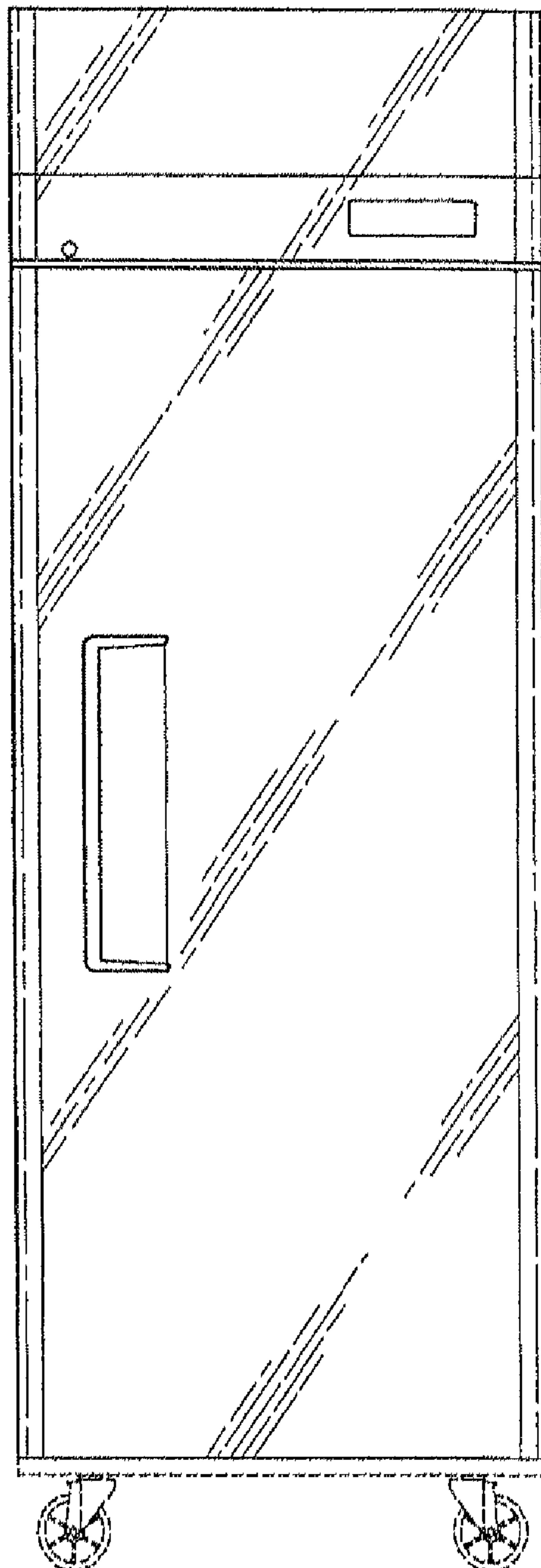


FIG. 3

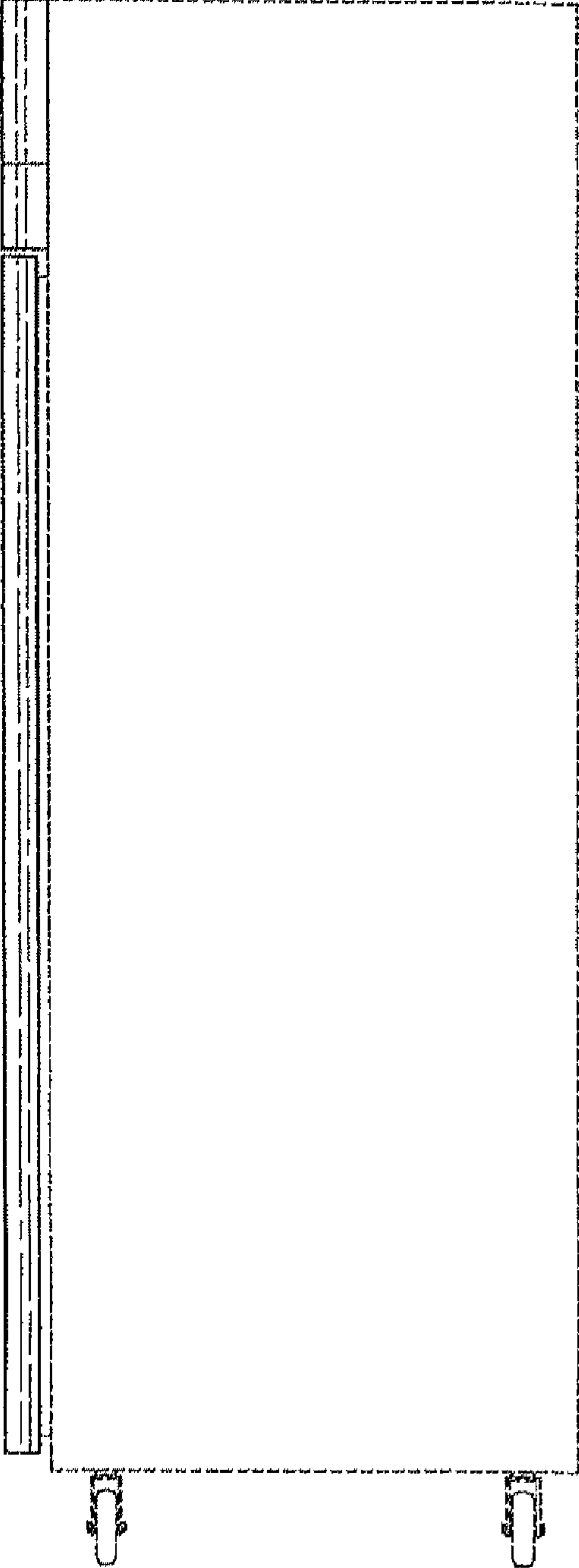


FIG. 4

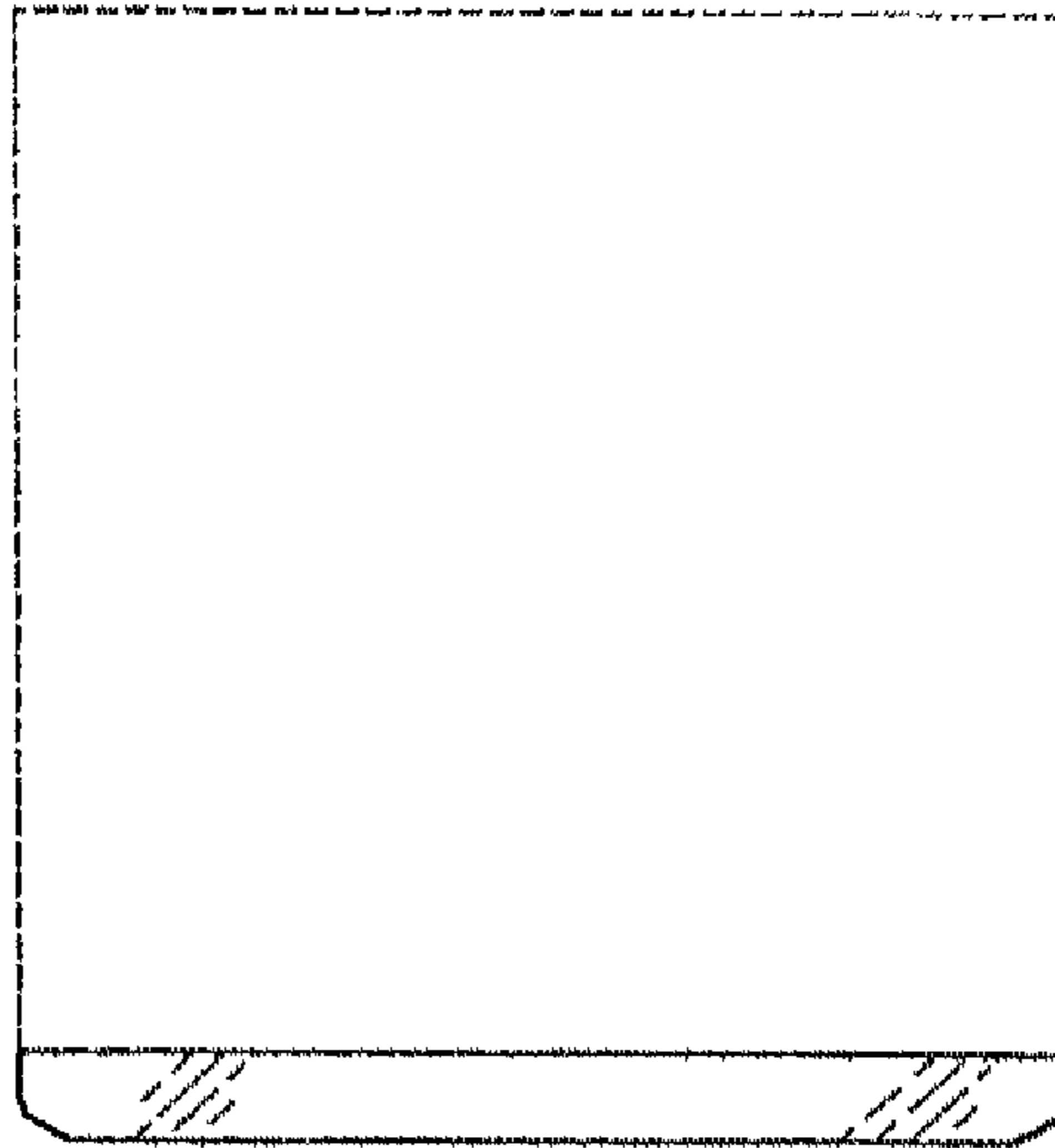


FIG. 5

