

US00D671147S

(12) **United States Design Patent**  
**Nakamura et al.**

(10) **Patent No.:** **US D671,147 S**

(45) **Date of Patent:** **\*\* Nov. 20, 2012**

(54) **BOOM FOR CONSTRUCTION MACHINE**

(75) Inventors: **Takanobu Nakamura**, Hiroshima (JP);  
**Yasushi Shigenari**, Hiroshima (JP);  
**Takanori Yamasaki**, Hiroshima (JP)

(73) Assignee: **Kobelco Construction Machinery Co., Ltd.**, Hiroshima-shi (JP)

(\*\*) Term: **14 Years**

(21) Appl. No.: **29/411,423**

(22) Filed: **Jan. 20, 2012**

(30) **Foreign Application Priority Data**

Jul. 29, 2011 (JP) ..... D2011-17491

(51) **LOC (9) Cl.** ..... **15-03**

(52) **U.S. Cl.** ..... **D15/28; D15/32**

(58) **Field of Classification Search** ..... D15/10,  
D15/22-25, 28, 32; D34/36; 37/304, 468;  
172/272-275; 212/347; 180/89.1, 311, 89.12,  
180/89.13; 414/685-688, 722-724, 540,  
414/559, 694, 708, 918, 680, 800, 698, 699,  
414/713

See application file for complete search history.

(56) **References Cited**

**U.S. PATENT DOCUMENTS**

3,283,928 A \* 11/1966 De Bosredon ..... 414/694  
4,094,422 A \* 6/1978 Thompson ..... 414/715  
D262,279 S \* 12/1981 Rallis et al. .... D34/34  
D299,079 S \* 12/1988 Bernabe, Jr. .... D34/36  
D301,127 S \* 5/1989 Lindblom ..... D12/14  
5,054,990 A \* 10/1991 Schaeff ..... 414/694  
D339,813 S \* 9/1993 Houkom ..... D15/32  
5,245,770 A \* 9/1993 Ko et al. .... 37/443  
D348,967 S \* 7/1994 Goto et al. .... D34/34  
5,611,657 A \* 3/1997 Peterson ..... 414/722  
D388,930 S \* 1/1998 Pinkston et al. .... D34/34  
D410,240 S \* 5/1999 Sasaki ..... D15/32  
D412,913 S \* 8/1999 Sasaki ..... D15/32  
D451,105 S \* 11/2001 Masumoto et al. .... D15/28

6,606,805 B2 \* 8/2003 Kimble et al. .... 37/468  
6,996,926 B2 \* 2/2006 Fatemi ..... 37/468  
D538,829 S \* 3/2007 Nilsson ..... D15/28  
D595,746 S \* 7/2009 Iida et al. .... D15/32  
D598,031 S \* 8/2009 Smith et al. .... D15/28  
7,735,530 B1 \* 6/2010 Riha et al. .... 144/4.1  
D629,019 S \* 12/2010 Major ..... D15/32  
D646,302 S \* 10/2011 Lanting et al. .... D15/28  
D646,303 S \* 10/2011 Lanting et al. .... D15/28  
D646,306 S \* 10/2011 Bradley et al. .... D15/32  
D654,514 S \* 2/2012 Jamieson et al. .... D15/28  
D656,164 S \* 3/2012 Nilsson ..... D15/32  
D662,682 S \* 6/2012 Maini et al. .... D34/36  
2002/0071754 A1 \* 6/2002 Fatemi ..... 414/723  
2003/0118432 A1 \* 6/2003 Lee ..... 414/722

(Continued)

**FOREIGN PATENT DOCUMENTS**

JP 2005-105520 A 4/2005

(Continued)

**OTHER PUBLICATIONS**

Catalog of Hitachi Construction Machinery Co., Ltd. Jul. 2010.

*Primary Examiner* — Mark Goodwin

(74) *Attorney, Agent, or Firm* — Birch, Stewart, Kolasch & Birch, LLP

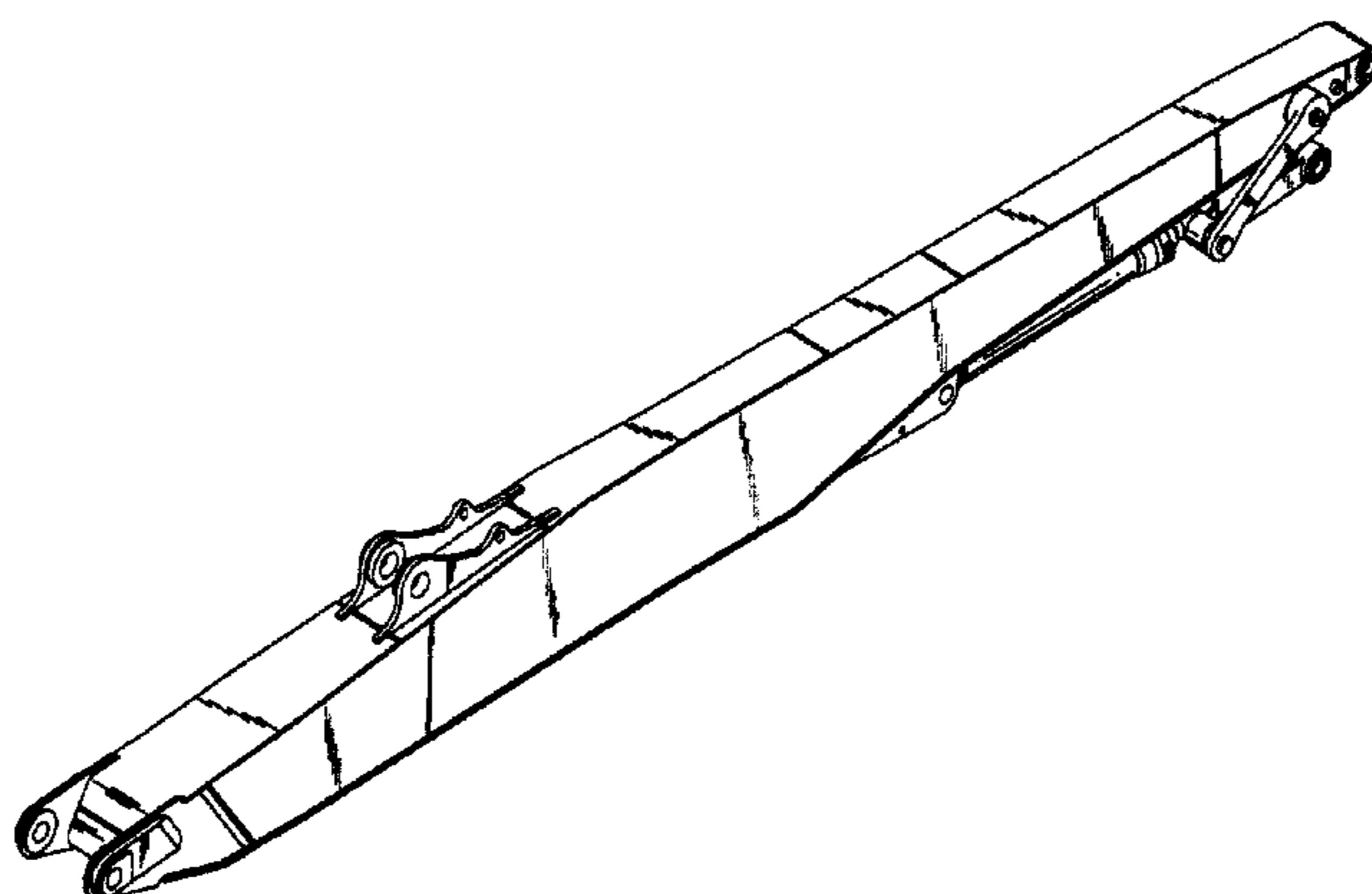
(57) **CLAIM**

The ornamental design for a boom for construction machine, as shown and described.

**DESCRIPTION**

FIG. 1 is a first perspective view of a boom for construction machine showing our new design;  
FIG. 2 is a second perspective view thereof;  
FIG. 3 is a front view thereof;  
FIG. 4 is a rear view thereof;  
FIG. 5 is a left side view thereof;  
FIG. 6 is a right side view thereof;  
FIG. 7 is a top view thereof; and,  
FIG. 8 is a bottom view thereof.

**1 Claim, 5 Drawing Sheets**



# US D671,147 S

Page 2

---

## U.S. PATENT DOCUMENTS

2003/0126772 A1\* 7/2003 Masumoto et al. .... 37/466  
2005/0011560 A1\* 1/2005 Anderson et al. .... 137/615  
2006/0096941 A1\* 5/2006 Stoetzer ..... 212/347  
2006/0107557 A1\* 5/2006 Fatemi ..... 37/466  
2008/0041805 A1\* 2/2008 Jantti ..... 212/270  
2009/0078666 A1\* 3/2009 Seino ..... 212/347

2009/0078667 A1\* 3/2009 Oyamada et al. .... 212/347  
2010/0119344 A1\* 5/2010 Nabata et al. .... 414/722

## FOREIGN PATENT DOCUMENTS

JP 2008-272648 A 11/2008

\* cited by examiner

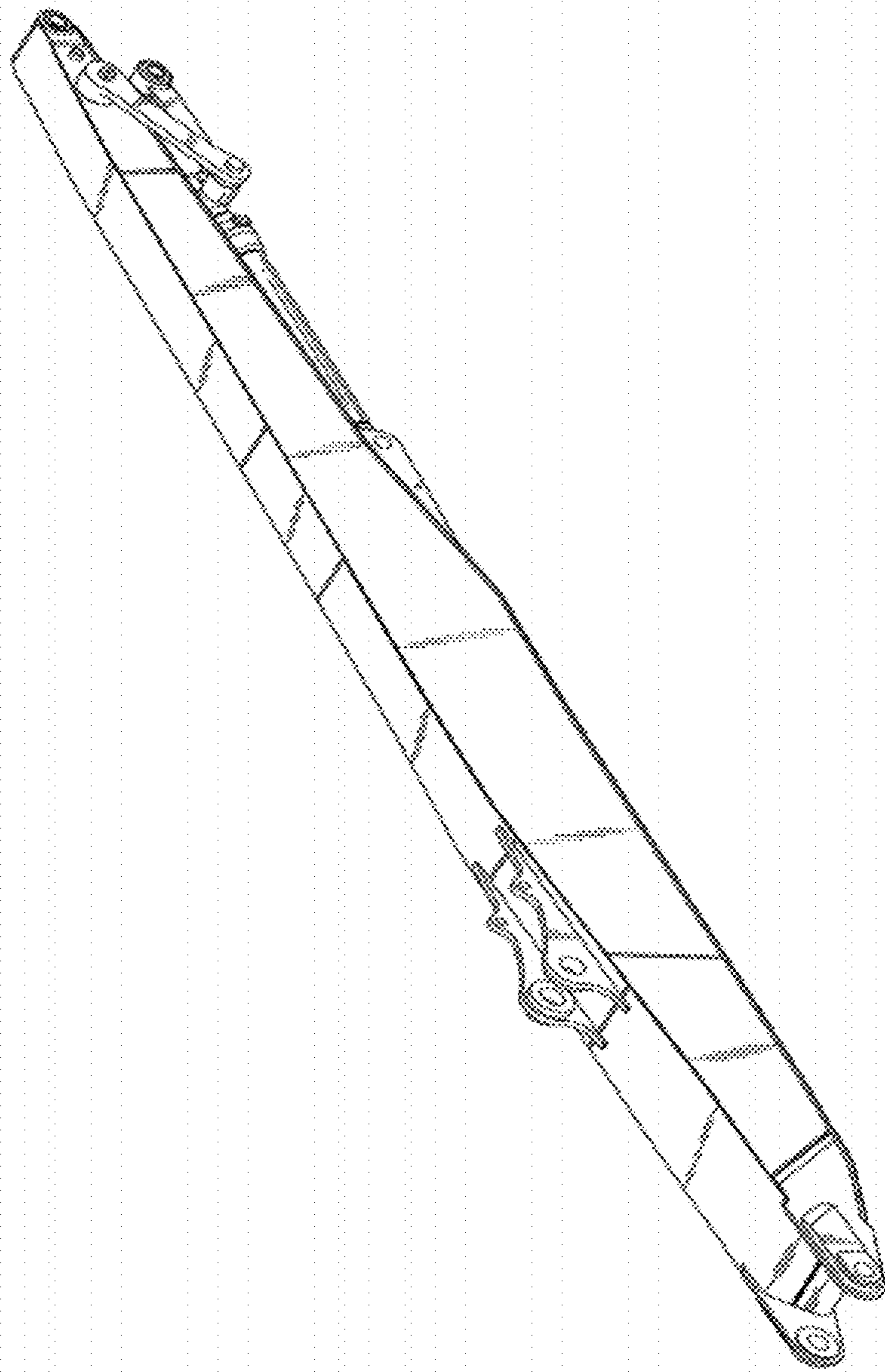


FIG.1

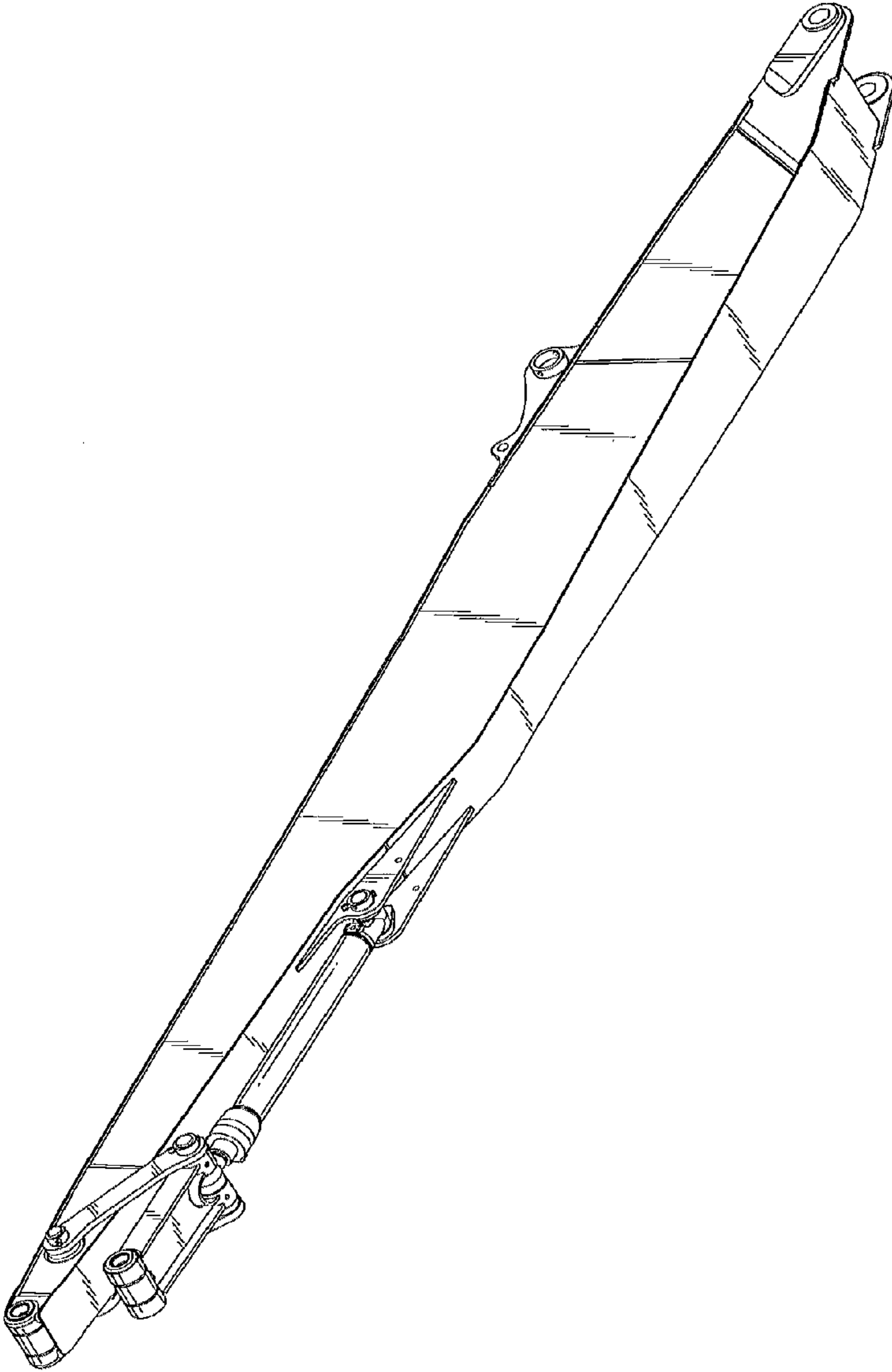


FIG.2



FIG.3

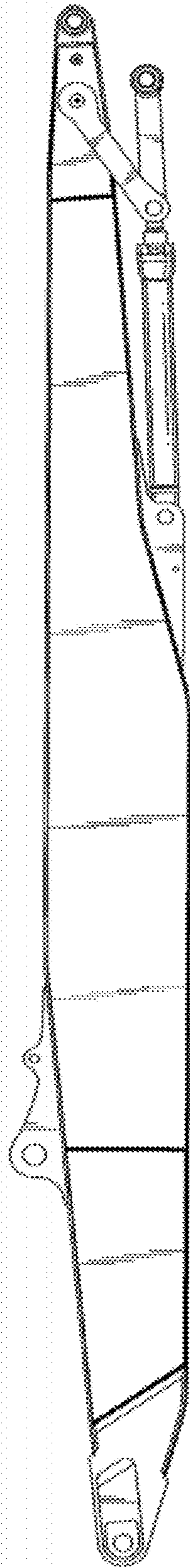
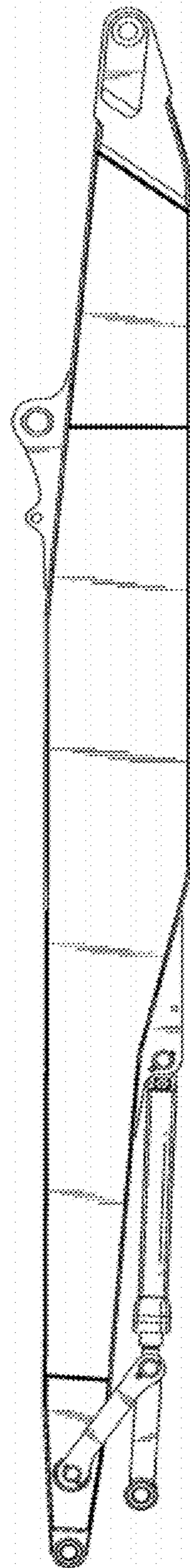


FIG.4



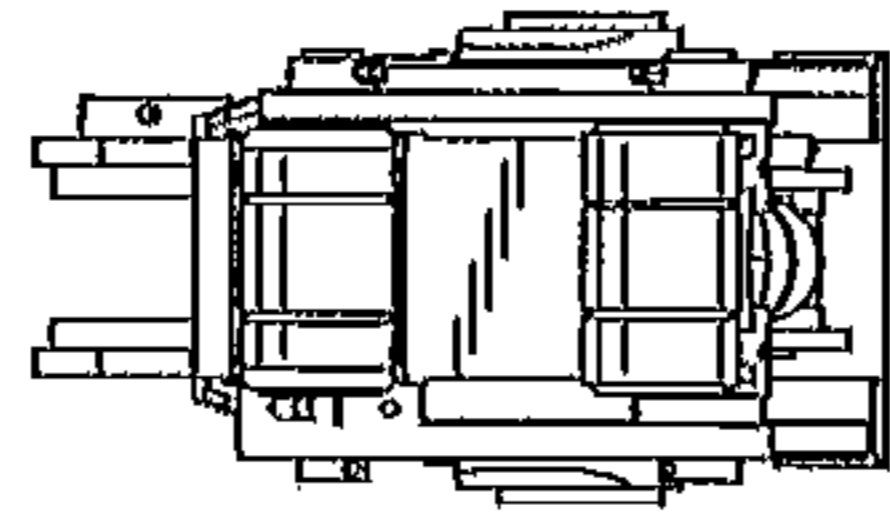


FIG. 5

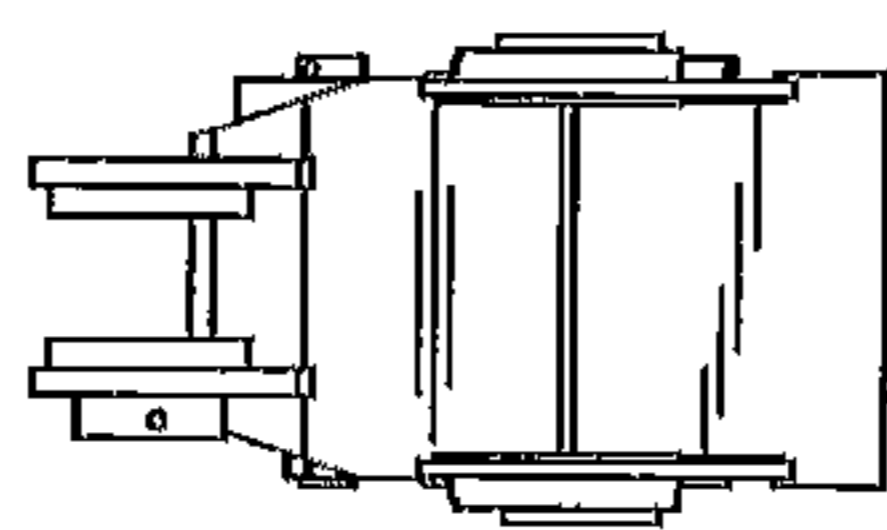


FIG. 6

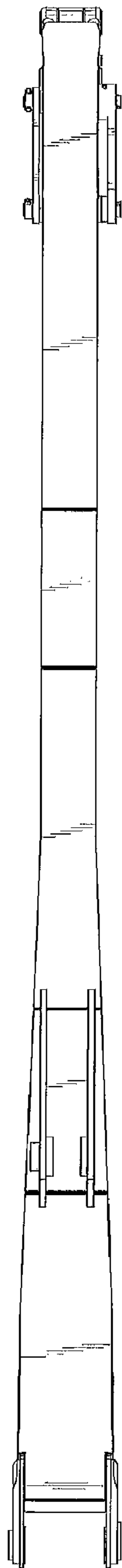


FIG. 7

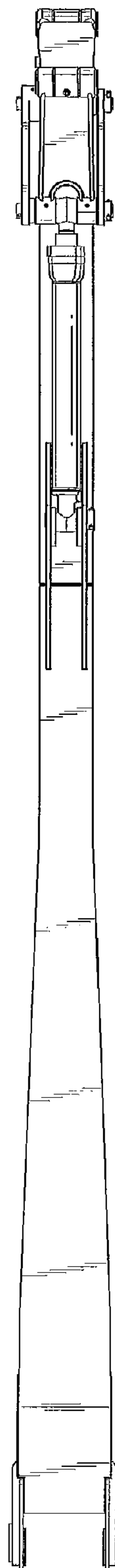


FIG. 8