



US00D671146S

(12) **United States Design Patent**
Kathmann

(10) **Patent No.:** **US D671,146 S**

(45) **Date of Patent:** **** Nov. 20, 2012**

(54) **CORE TRAY**

(75) Inventor: **Peter Kathmann**, Geraldton (CA)

(73) Assignee: **Imexko Greenstone Enterprises**,
Geraldton, Ontario (CA)

(**) Term: **14 Years**

(21) Appl. No.: **29/371,401**

(22) Filed: **Feb. 9, 2011**

(51) **LOC (9) Cl.** **15-03**

(52) **U.S. Cl.** **D15/21**

(58) **Field of Classification Search** D15/21,
D15/28; 425/123, 126, 127; 211/70.1; 264/275,
264/553, 92; 206/443, 561, 506, 503; 220/694,
220/23.8, 23.6, 20, 22, 555, 427; 382/109;
229/93, 913

See application file for complete search history.

(56) **References Cited**

U.S. PATENT DOCUMENTS

3,196,229	A *	7/1965	Glass	206/443
3,272,371	A *	9/1966	Weiner	206/511
3,467,247	A *	9/1969	Weiss	206/561
3,581,929	A *	6/1971	Guenard et al.	220/555
3,589,511	A *	6/1971	Britt	206/518
3,782,582	A *	1/1974	Lybbert et al.	220/23.6

3,786,932	A *	1/1974	Smith	211/70.1
4,004,501	A *	1/1977	Guerrero	99/426
4,874,091	A *	10/1989	McEwen et al.	206/443
4,927,022	A *	5/1990	Wilson	206/443
4,971,275	A *	11/1990	Roberts	248/152
D424,941	S *	5/2000	Boutour	D9/456
2009/0080705	A1 *	3/2009	Orpen	382/109
2010/0018886	A1 *	1/2010	Wilson	206/443

* cited by examiner

Primary Examiner — Mark Goodwin

(74) *Attorney, Agent, or Firm* — Arne I. Fors

(57) **CLAIM**

The ornamental design for a core tray, as shown and described.

DESCRIPTION

FIG. 1 is a top perspective view of the core tray showing my new design, with the end portion shown broken away to indicate indeterminate length;

FIG. 2 is a top plan view thereof;

FIG. 3 is a right side elevation view thereof;

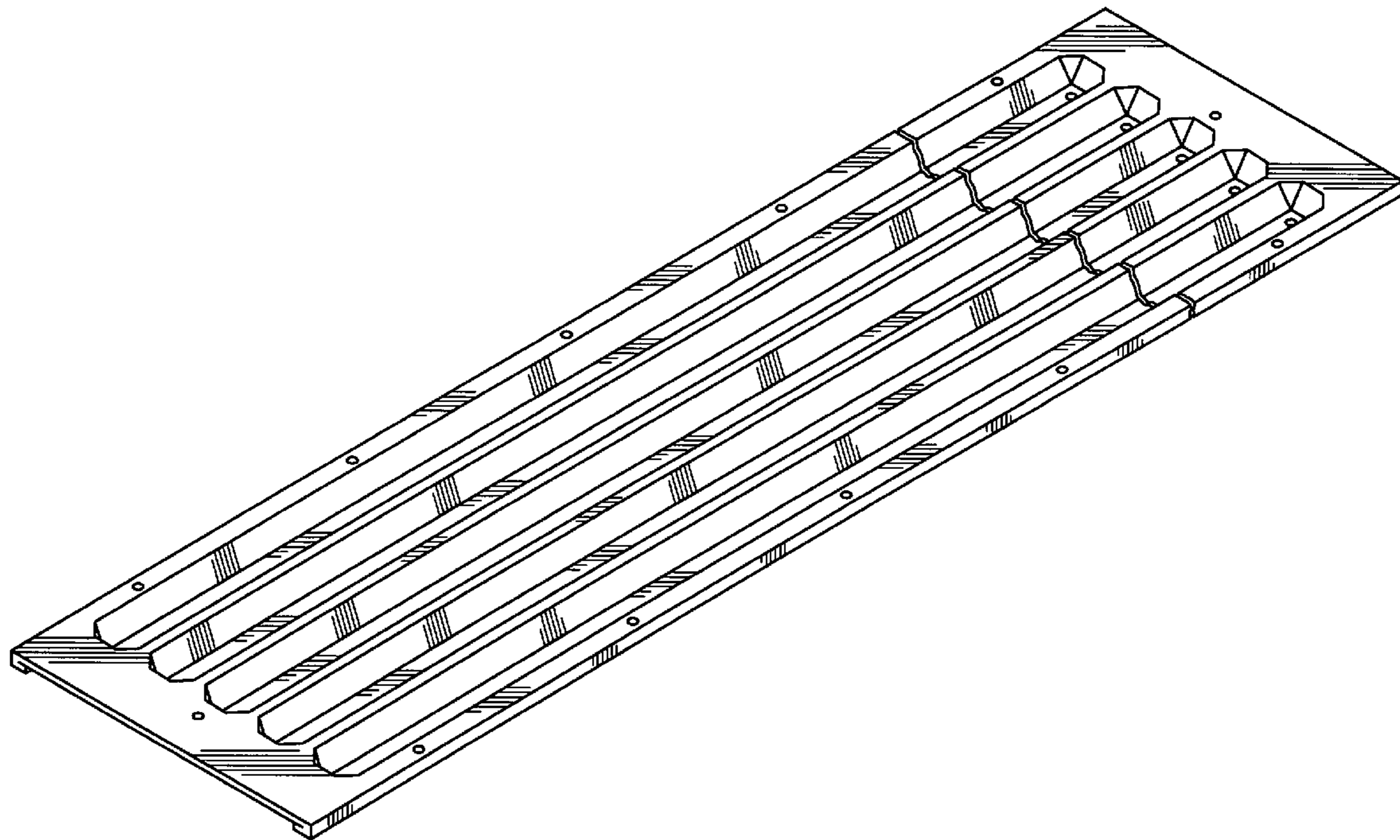
FIG. 4 is a bottom plan view thereof;

FIG. 5 is a left side elevation view thereof;

FIG. 6 is a left end view thereof; and,

FIG. 7 is a right end view thereof.

1 Claim, 3 Drawing Sheets



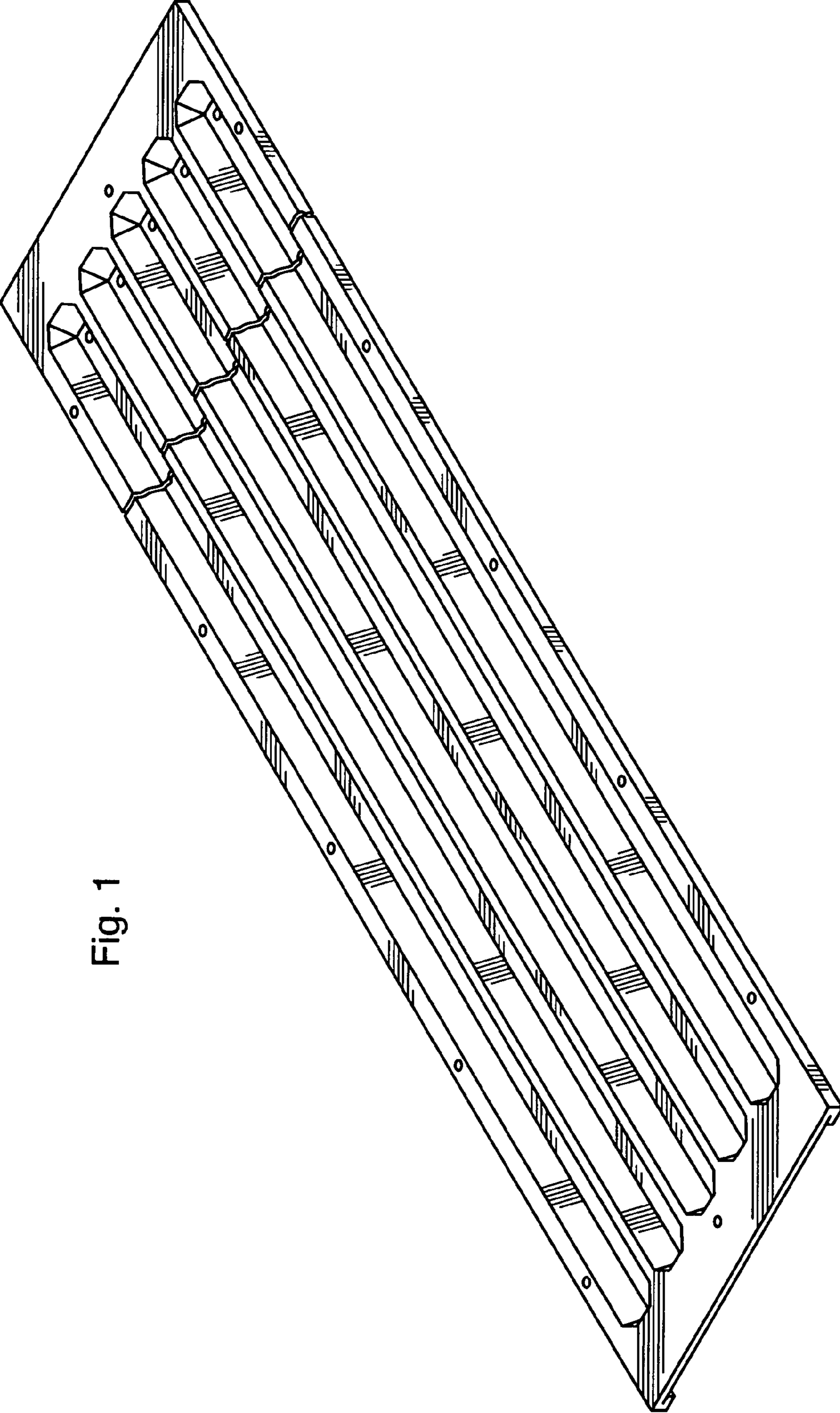


Fig. 1

Fig. 2

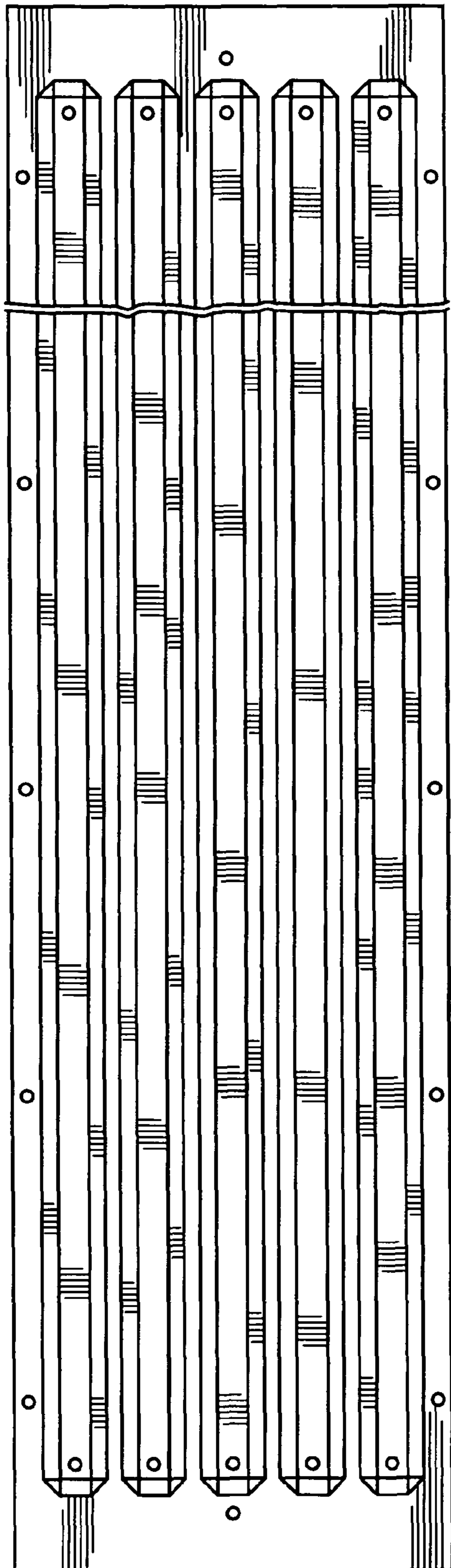


Fig. 3



Fig. 4

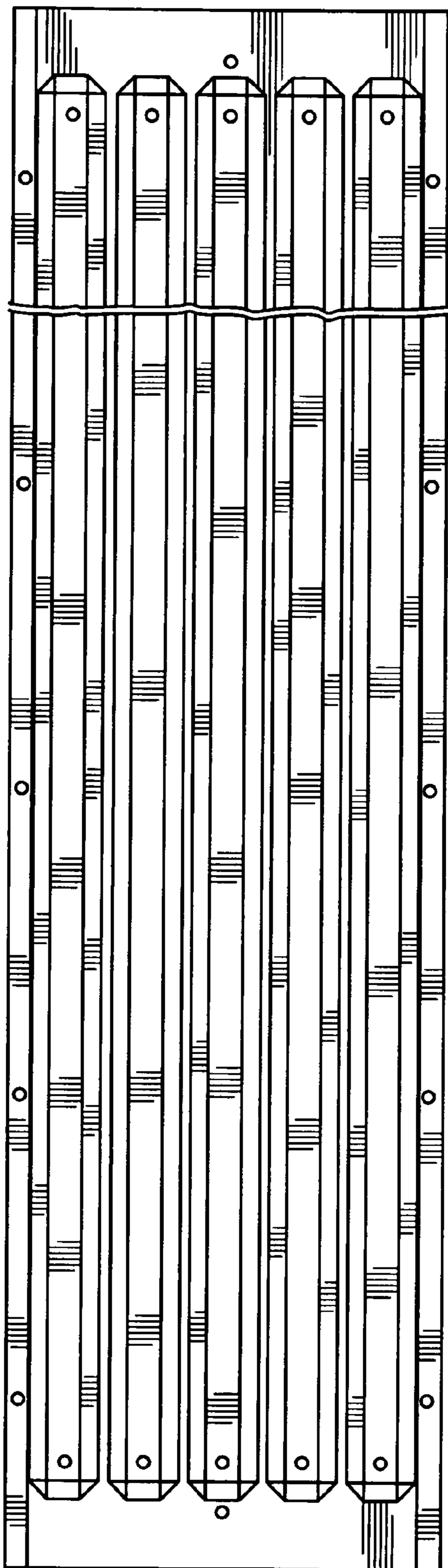


Fig. 5

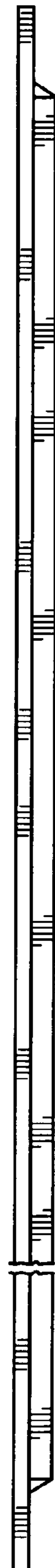


Fig. 6



Fig. 7



UNITED STATES PATENT AND TRADEMARK OFFICE
CERTIFICATE OF CORRECTION

PATENT NO. : D671,146 S
APPLICATION NO. : 29/371401
DATED : November 20, 2012
INVENTOR(S) : Peter Kathmann

Page 1 of 1

It is certified that error appears in the above-identified patent and that said Letters Patent is hereby corrected as shown below:

On the Title page, Item (30), priority claim of Canadian Design Application No. 138003 filed November 18, 2010 should be included in the issued design patent.

Signed and Sealed this
Twenty-ninth Day of January, 2013

A handwritten signature in black ink that reads "David J. Kappos". The signature is written in a cursive, slightly slanted style.

David J. Kappos
Director of the United States Patent and Trademark Office