



US00D671145S

(12) **United States Design Patent**  
**Fujiwara et al.**

(10) **Patent No.:** **US D671,145 S**

(45) **Date of Patent:** **\*\* Nov. 20, 2012**

(54) **OUTBOARD MOTOR MACHINE**

D635,586 S \* 4/2011 Okamoto ..... D15/4  
D643,440 S \* 8/2011 Dannenberg et al. .... D15/4  
D663,745 S \* 7/2012 Isono ..... D15/4

(75) Inventors: **Masato Fujiwara**, Saitama-ken (JP);  
**Koichi Azuma**, Saitama-ken (JP)

**FOREIGN PATENT DOCUMENTS**

(73) Assignee: **Honda Motor Co., Ltd.**, Tokyo (JP)

JP 1031747 S 2/1999

\* cited by examiner

(\*\*) Term: **14 Years**

*Primary Examiner* — T. Chase Nelson

(21) Appl. No.: **29/410,087**

*Assistant Examiner* — Ania Aman

(22) Filed: **Jan. 4, 2012**

(74) *Attorney, Agent, or Firm* — Westerman, Hattori,  
Daniels & Adrian, LLP

(30) **Foreign Application Priority Data**

(57) **CLAIM**

The ornamental design for an outboard motor machine, as shown and described.

Jul. 6, 2011 (JP) ..... 2011-015463

**DESCRIPTION**

(51) **LOC (9) Cl.** ..... **15-01**

(52) **U.S. Cl.** ..... **D15/4**

(58) **Field of Classification Search** ..... D15/1-5,  
D15/149; 123/195 P; 440/3, 4, 88 R, 52;  
D12/317, 181

See application file for complete search history.

FIG. 1 is a perspective view from the left side of an outboard motor machine.

FIG. 2 is a perspective view from the right side thereof.

FIG. 3 is a perspective view from the left side thereof.

FIG. 4 is a perspective view from the right side thereof.

FIG. 5 is a front elevation view thereof.

FIG. 6 is a rear elevation view thereof.

FIG. 7 is a top plan view thereof.

FIG. 8 is a bottom plan view thereof.

FIG. 9 is a left side elevation view thereof; and,

FIG. 10 is a right side elevation view thereof.

The portion of the outboard motor machine shown in broken lines is for the purpose of showing environmental structure only and forms no part of the claimed design.

(56) **References Cited**

**U.S. PATENT DOCUMENTS**

D91,714 S \* 3/1934 Irgens ..... D15/4  
D200,366 S \* 2/1965 Andersson-Sason ..... D15/4  
D536,704 S \* 2/2007 Iekura ..... D15/4  
D537,838 S \* 3/2007 Iekura ..... D15/4  
D568,904 S \* 5/2008 Osumi ..... D15/4  
D589,057 S \* 3/2009 Azuma ..... D15/4  
D611,063 S \* 3/2010 Okamoto ..... D15/4  
D623,661 S \* 9/2010 Yamagishi et al. .... D15/4

**1 Claim, 10 Drawing Sheets**

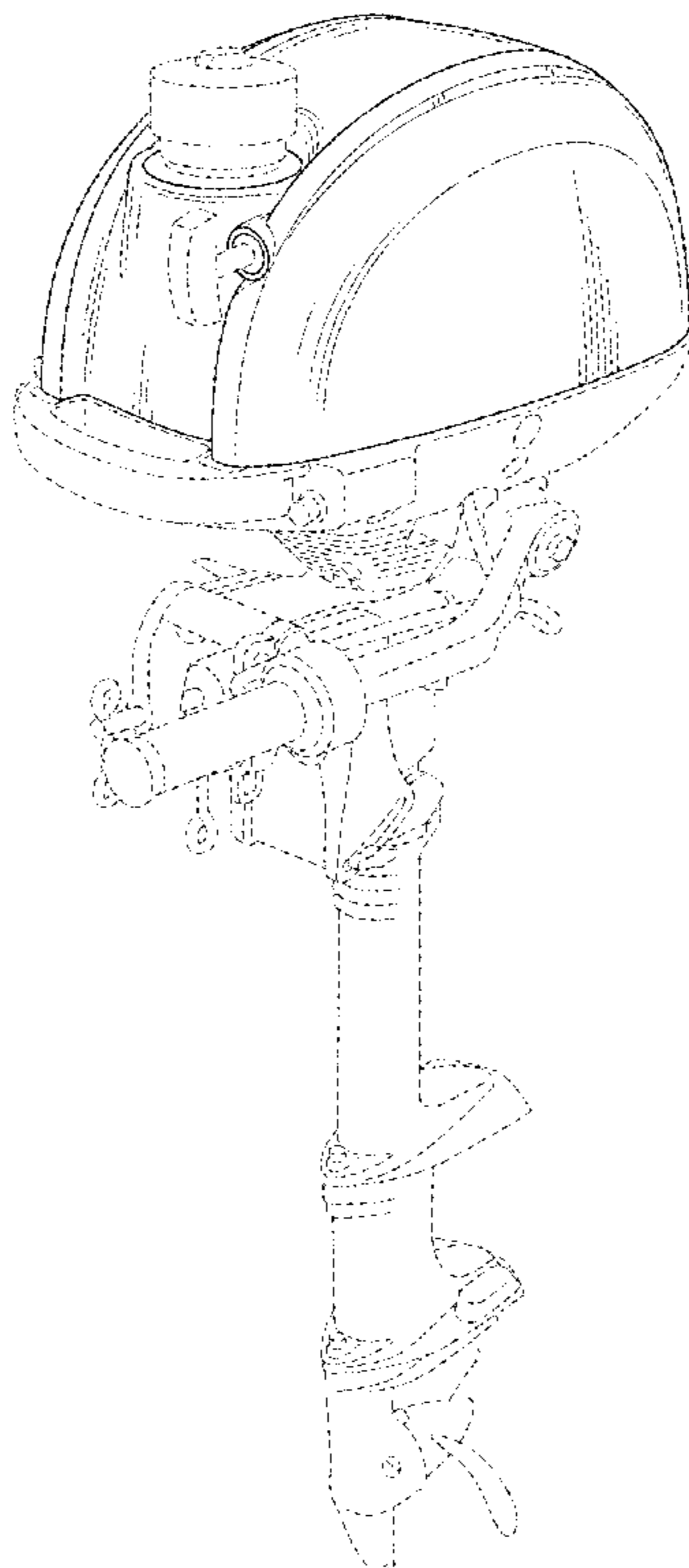


FIG. 1

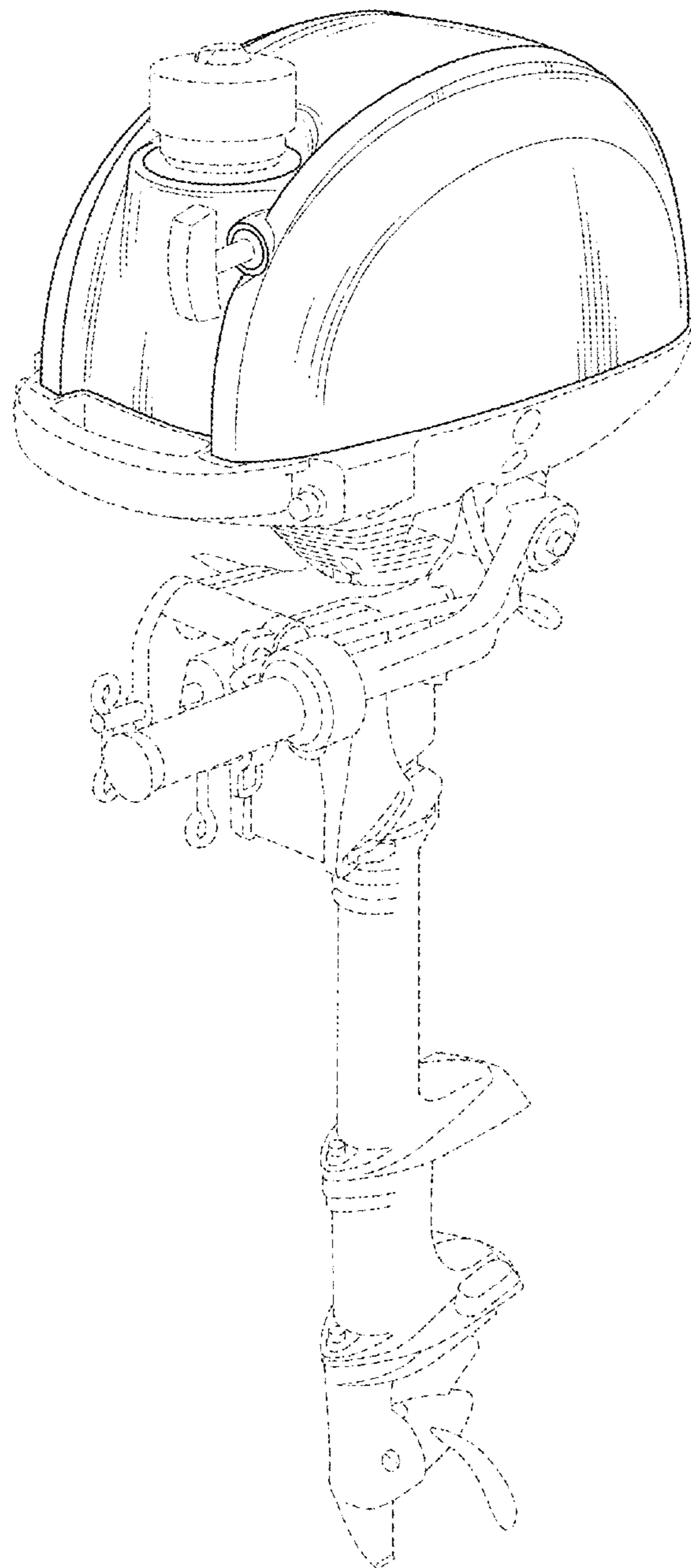


FIG. 2

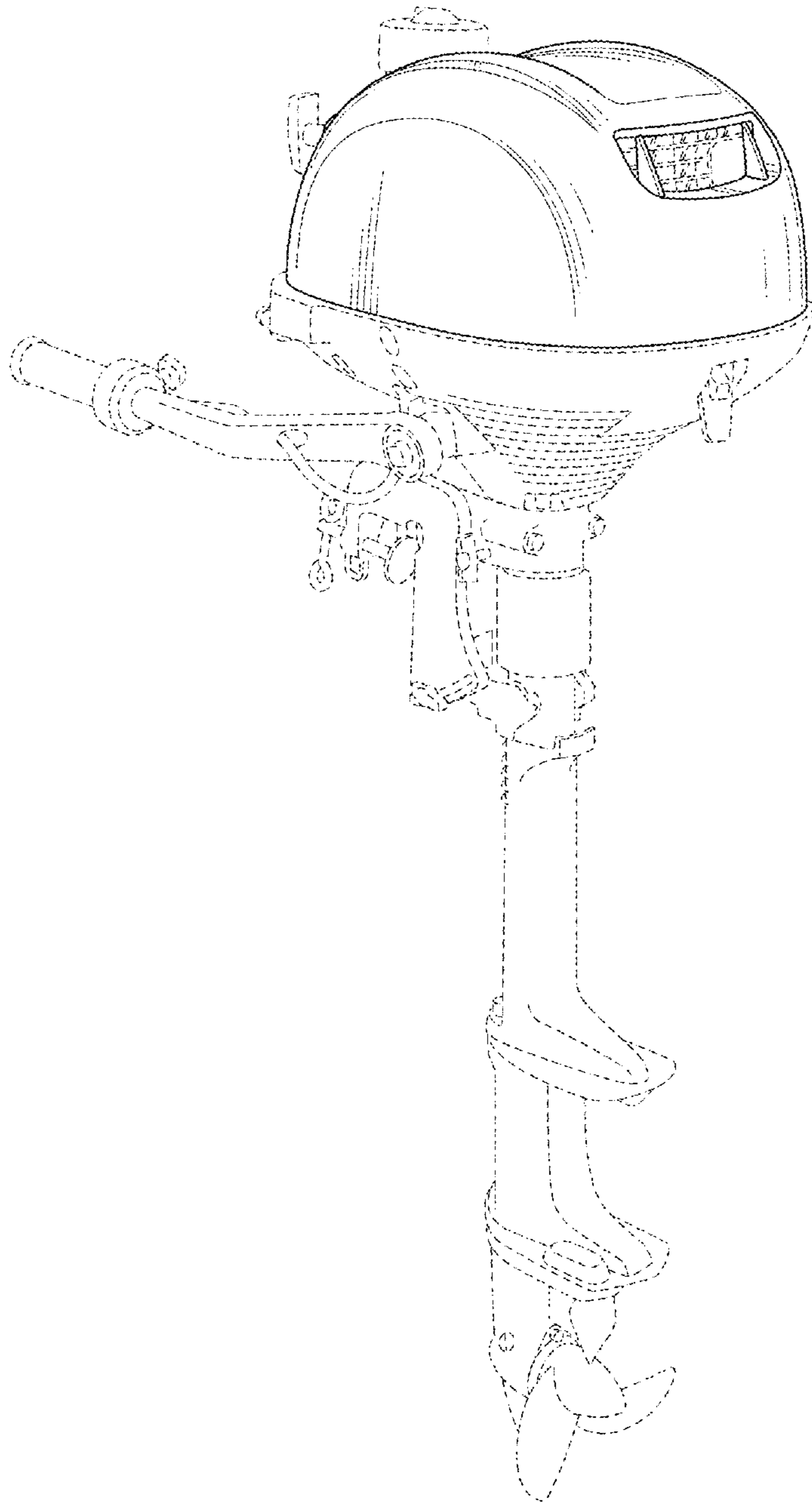


FIG. 3

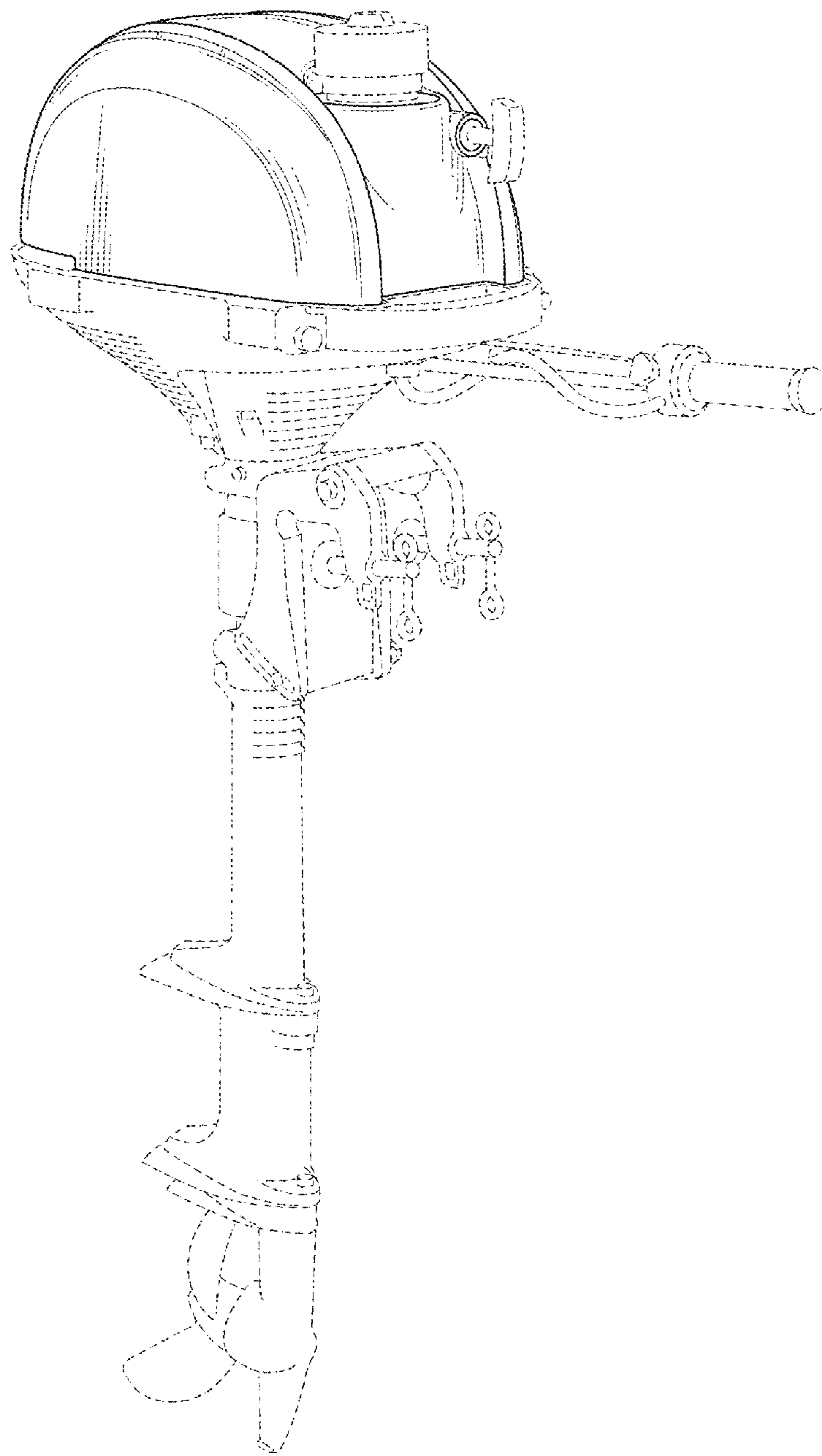


FIG. 4

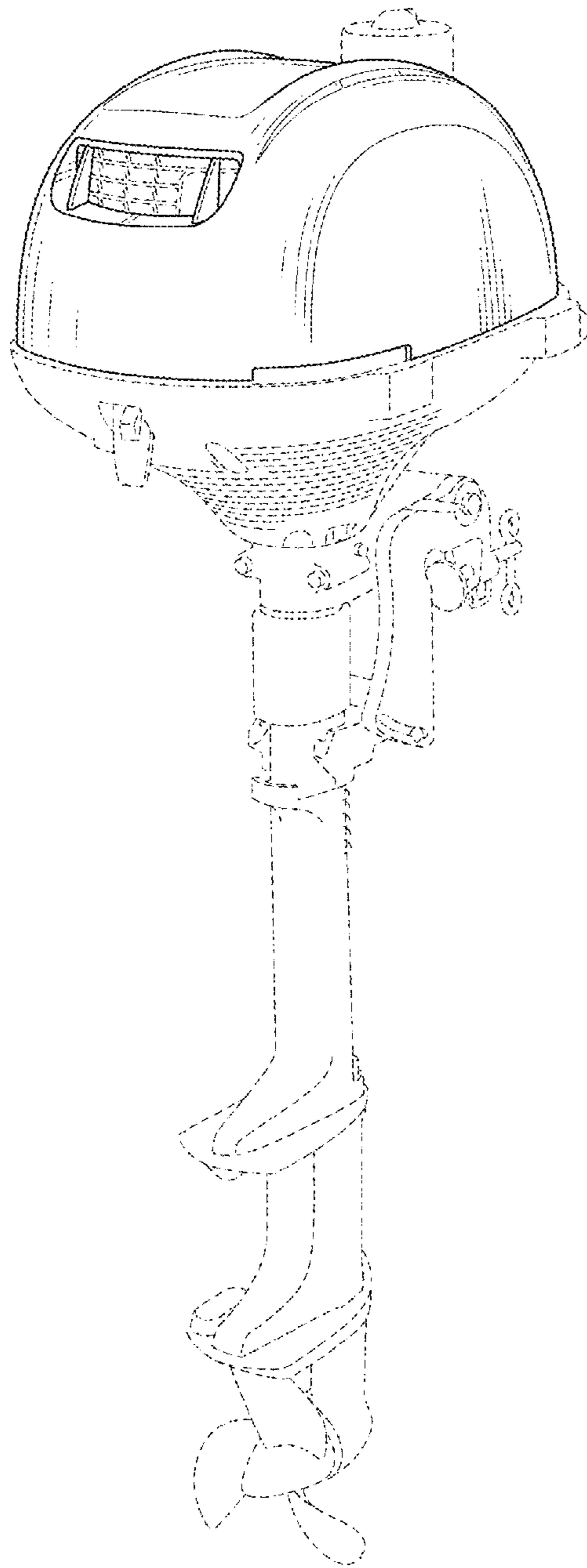


FIG. 5

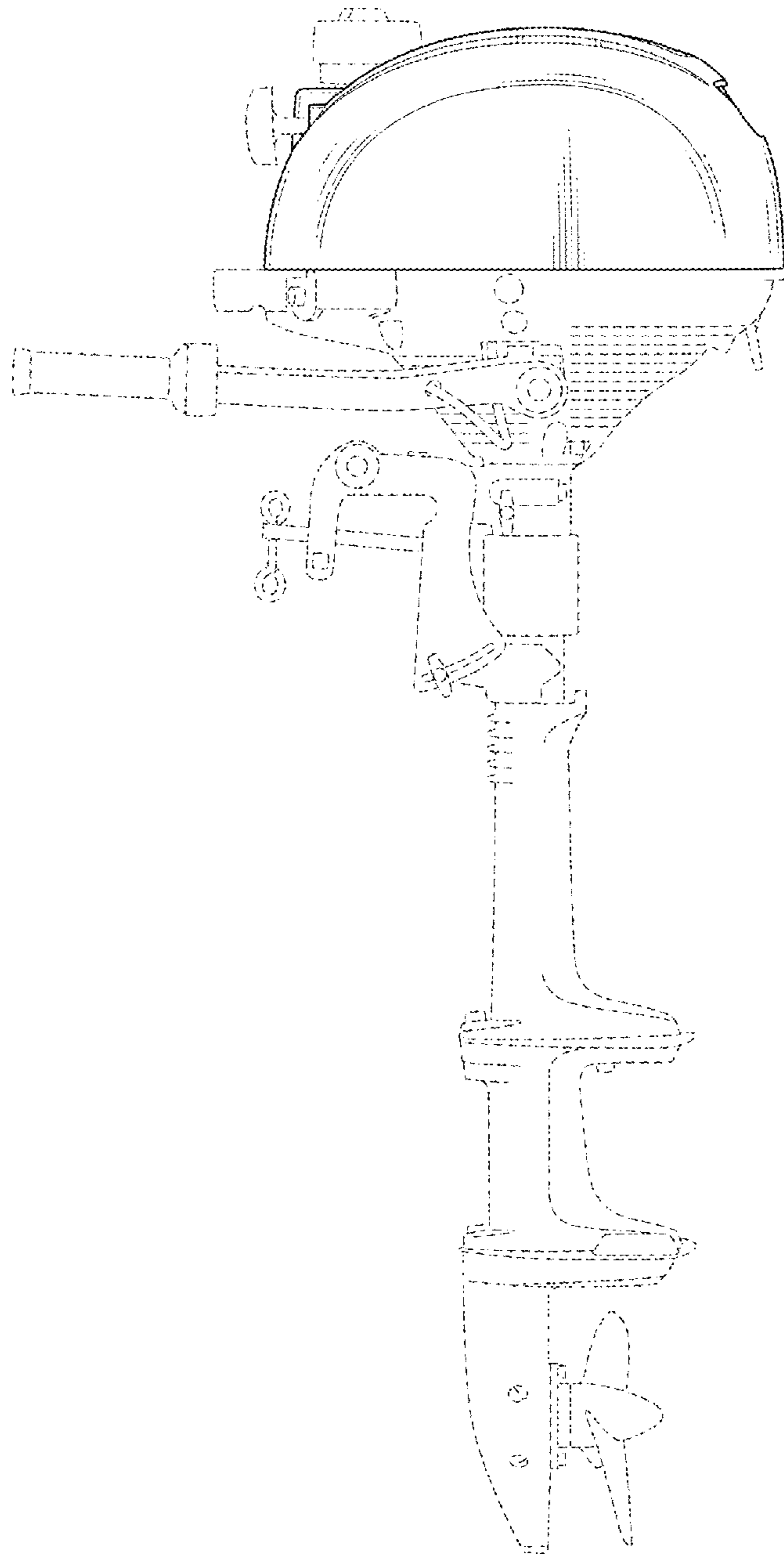


FIG. 6

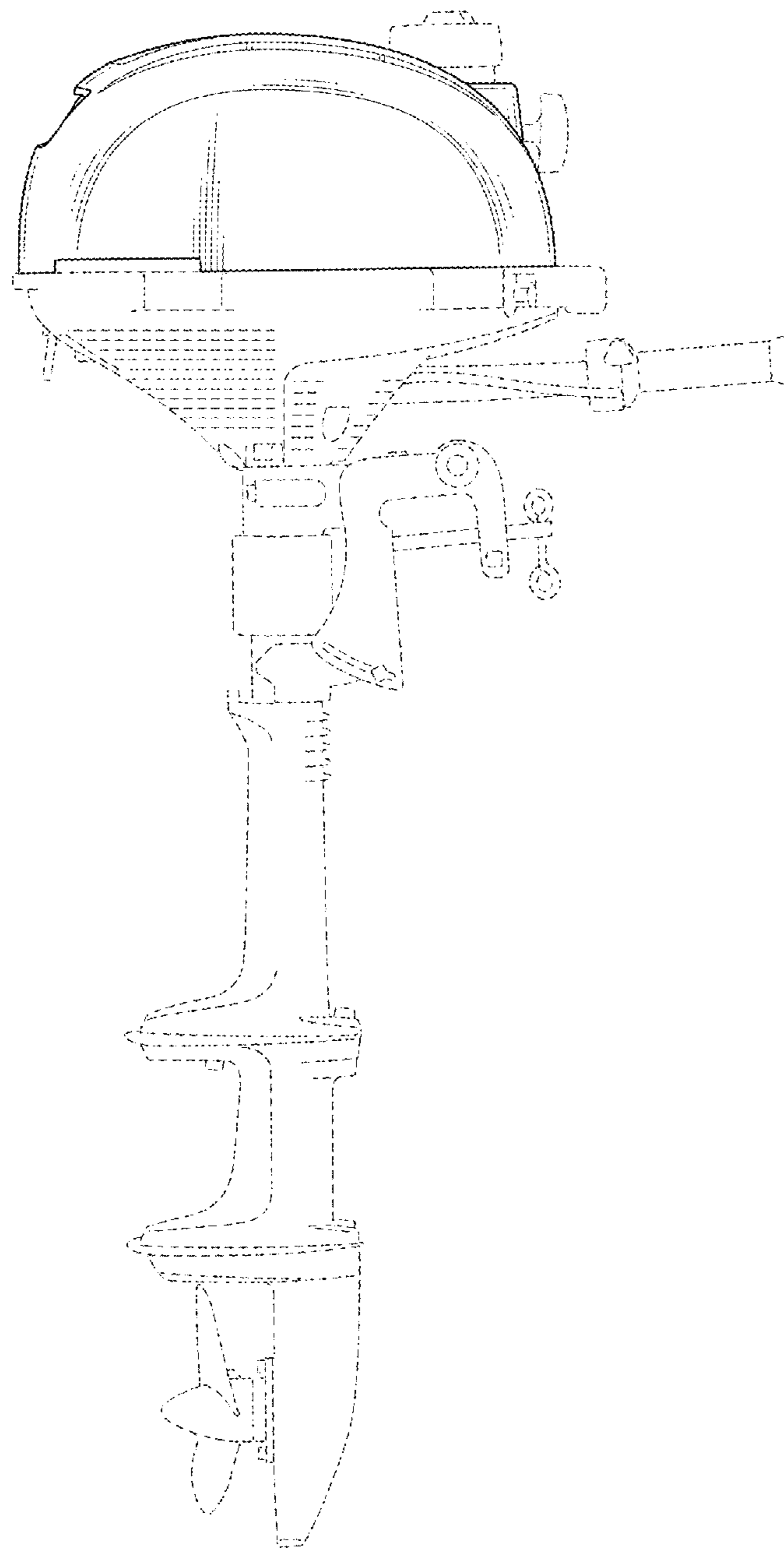


FIG. 7

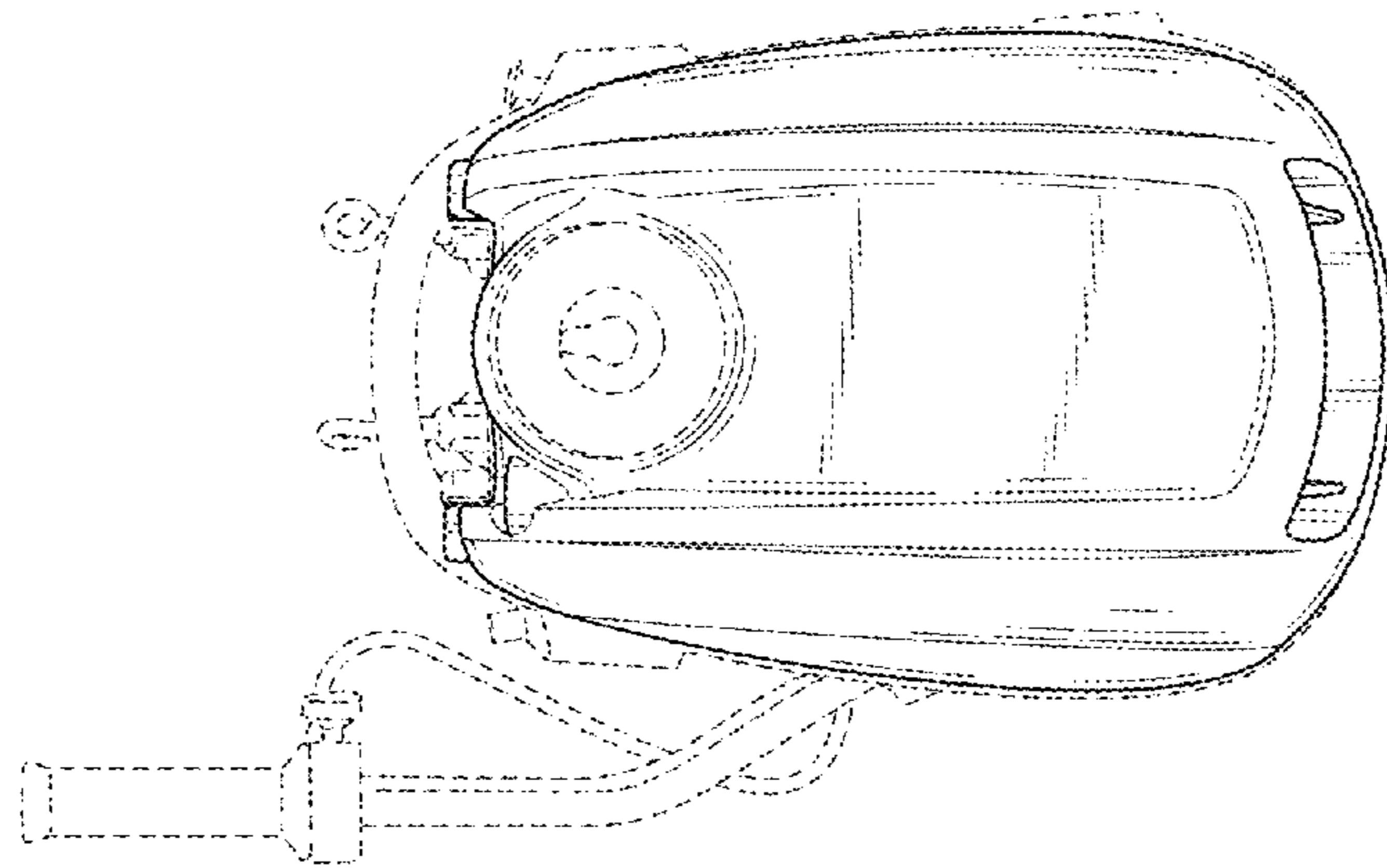




FIG. 8

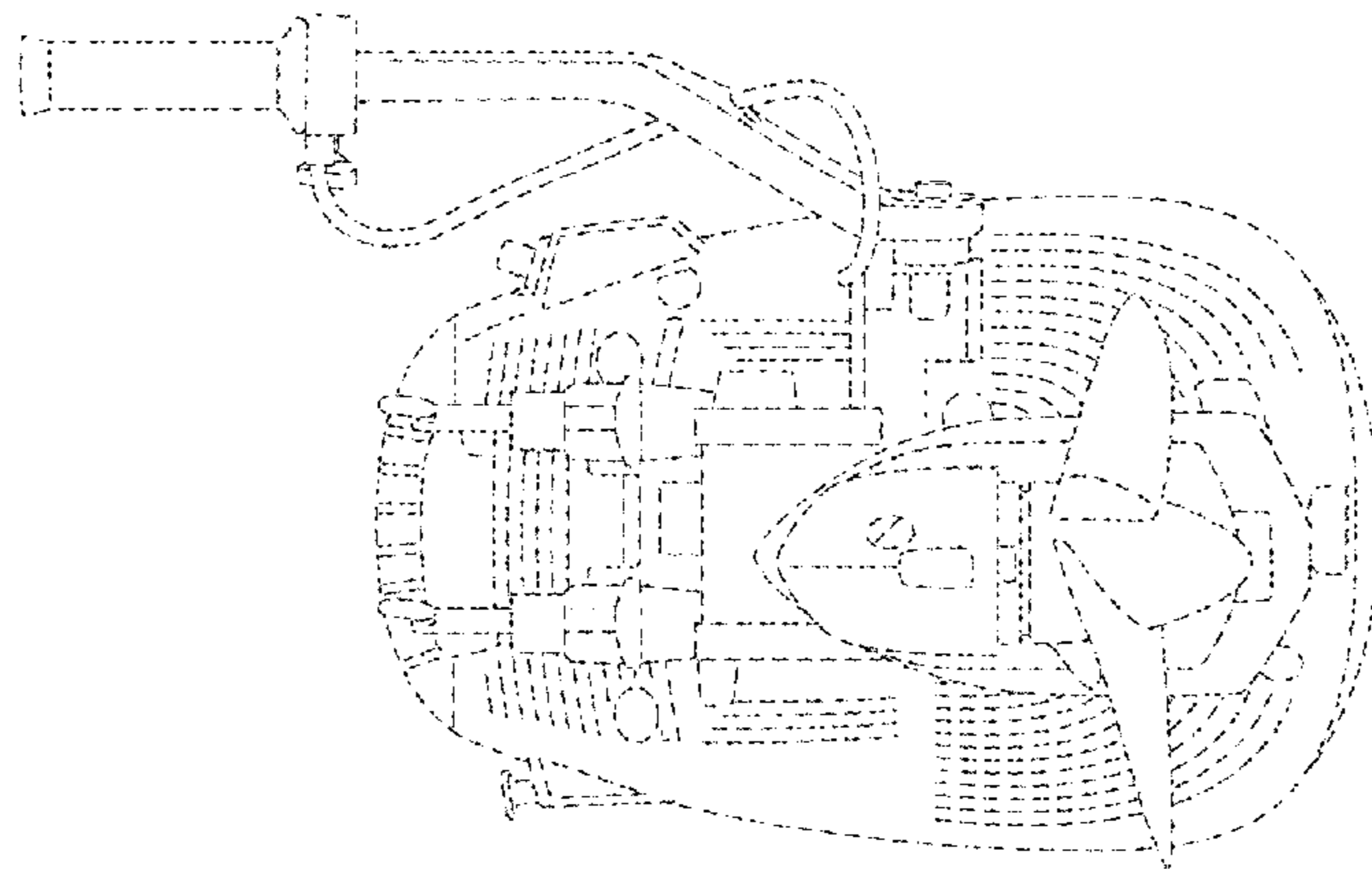


FIG. 9

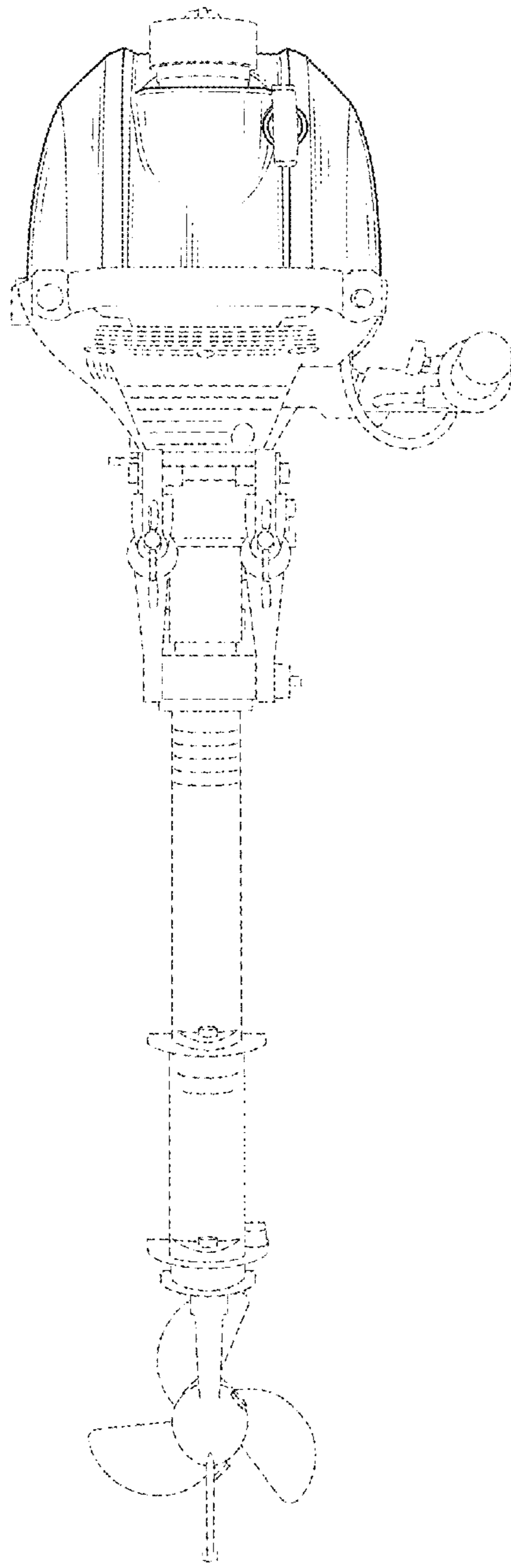


FIG. 10

