



US00D671124S

(12) **United States Design Patent**
Zeanah

(10) **Patent No.:** **US D671,124 S**

(45) **Date of Patent:** **** Nov. 20, 2012**

(54) **GUITAR PICK USB**

(75) Inventor: **David Zeanah**, Knoxville, TN (US)

(73) Assignee: **American Accessories International LLC**, Knoxville, TN (US)

(**) Term: **14 Years**

(21) Appl. No.: **29/378,898**

(22) Filed: **Nov. 11, 2010**

(51) **LOC (9) Cl.** **14-99**

(52) **U.S. Cl.** **D14/484.1; D17/20**

(58) **Field of Classification Search** D14/356,
D14/242, 436, 433, 435.1, 440, 435, 480.3,
D14/430.6, 484.1, 480.1, 480.2, 480.5, 137,
D14/203.2; D3/270; 439/135-139; 206/307;
D17/20, 99; 84/320-322, 453

See application file for complete search history.

(56) **References Cited**

U.S. PATENT DOCUMENTS

D302,562 S *	8/1989	Pearse	D17/20
D346,177 S *	4/1994	Reineck	D17/20
D388,721 S *	1/1998	Kinner	D10/104.1
D439,602 S *	3/2001	Morris, Jr.	D17/20
D513,000 S *	12/2005	Cohen	D14/480.3
D519,149 S *	4/2006	Ball	D17/20
D537,036 S *	2/2007	Chen	D14/433
D543,970 S *	6/2007	Griffin	D14/484.1
D548,585 S *	8/2007	Okabe et al.	D9/420

D566,114 S *	4/2008	Chu	D14/480.6
D567,845 S *	4/2008	Judd	D17/20
D586,815 S *	2/2009	Friedman	D14/436
D602,494 S *	10/2009	Lannon et al.	D14/480.5
D612,384 S *	3/2010	Kim et al.	D14/435.1
D633,507 S *	3/2011	Nelson	D14/484.1
D642,584 S *	8/2011	Wong et al.	D14/480.4
D647,532 S *	10/2011	Busch	D14/480.3
D661,726 S *	6/2012	Goble	D17/20
8,241,047 B2 *	8/2012	Ni et al.	439/131

* cited by examiner

Primary Examiner — Ian Simmons

Assistant Examiner — Carissa C Fitts

(74) *Attorney, Agent, or Firm* — Ryan A. Schneider, Esq.;
Troutman Sanders LLP

(57) **CLAIM**

The ornamental design for a guitar pick USB, as shown and described.

DESCRIPTION

FIG. 1 is an isometric perspective view of the front and a first side of the guitar pick USB;

FIG. 2 is an isometric perspective view of the rear and the second side of the guitar pick USB;

FIG. 3 is a front elevation view of the guitar pick USB;

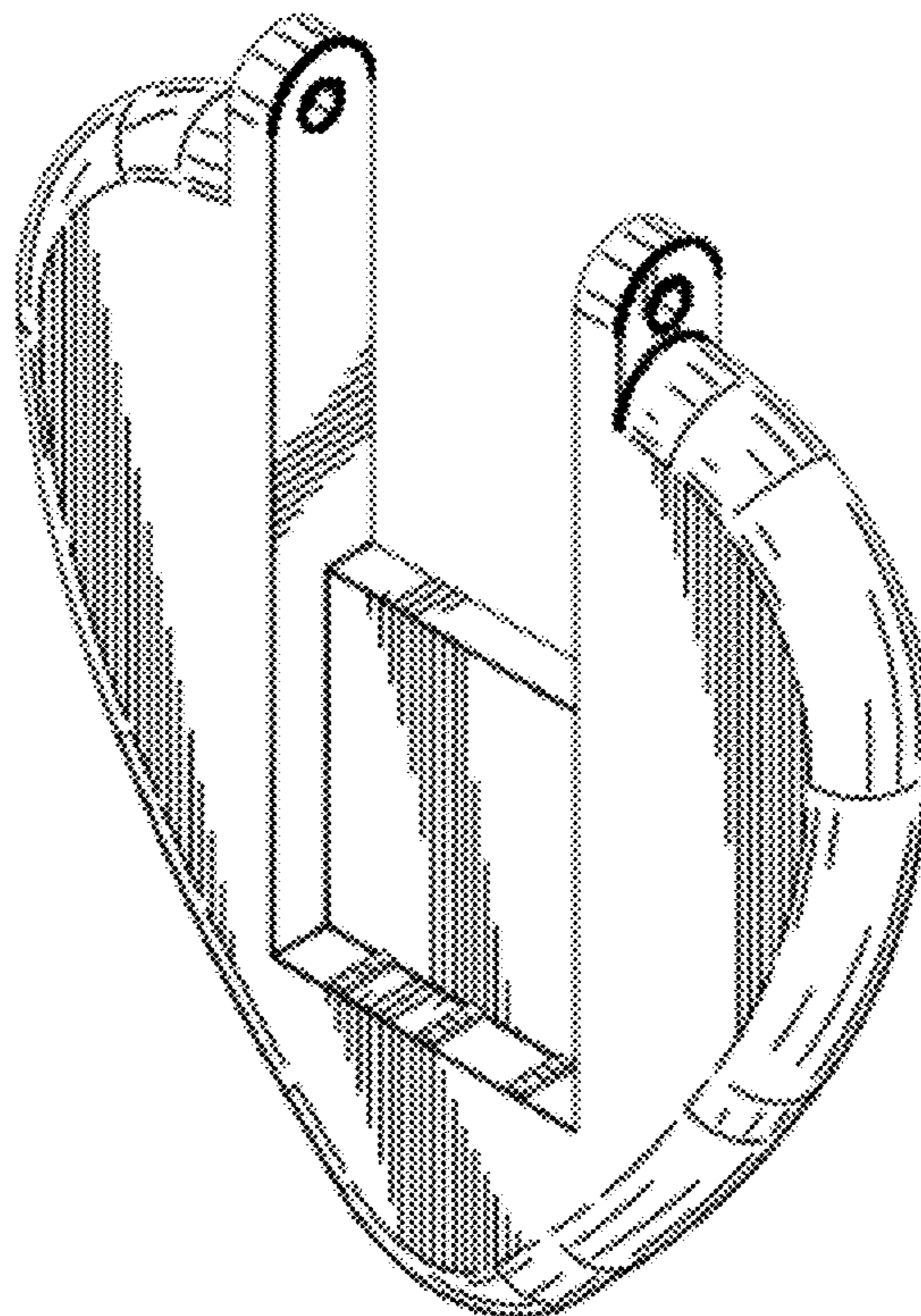
FIG. 4 is a side elevation view of the guitar pick USB;

FIG. 5 is a rear elevation view of the guitar pick USB;

FIG. 6 is a top elevation view of the guitar pick USB; and,

FIG. 7 is a bottom elevation view of the guitar pick USB.

1 Claim, 3 Drawing Sheets



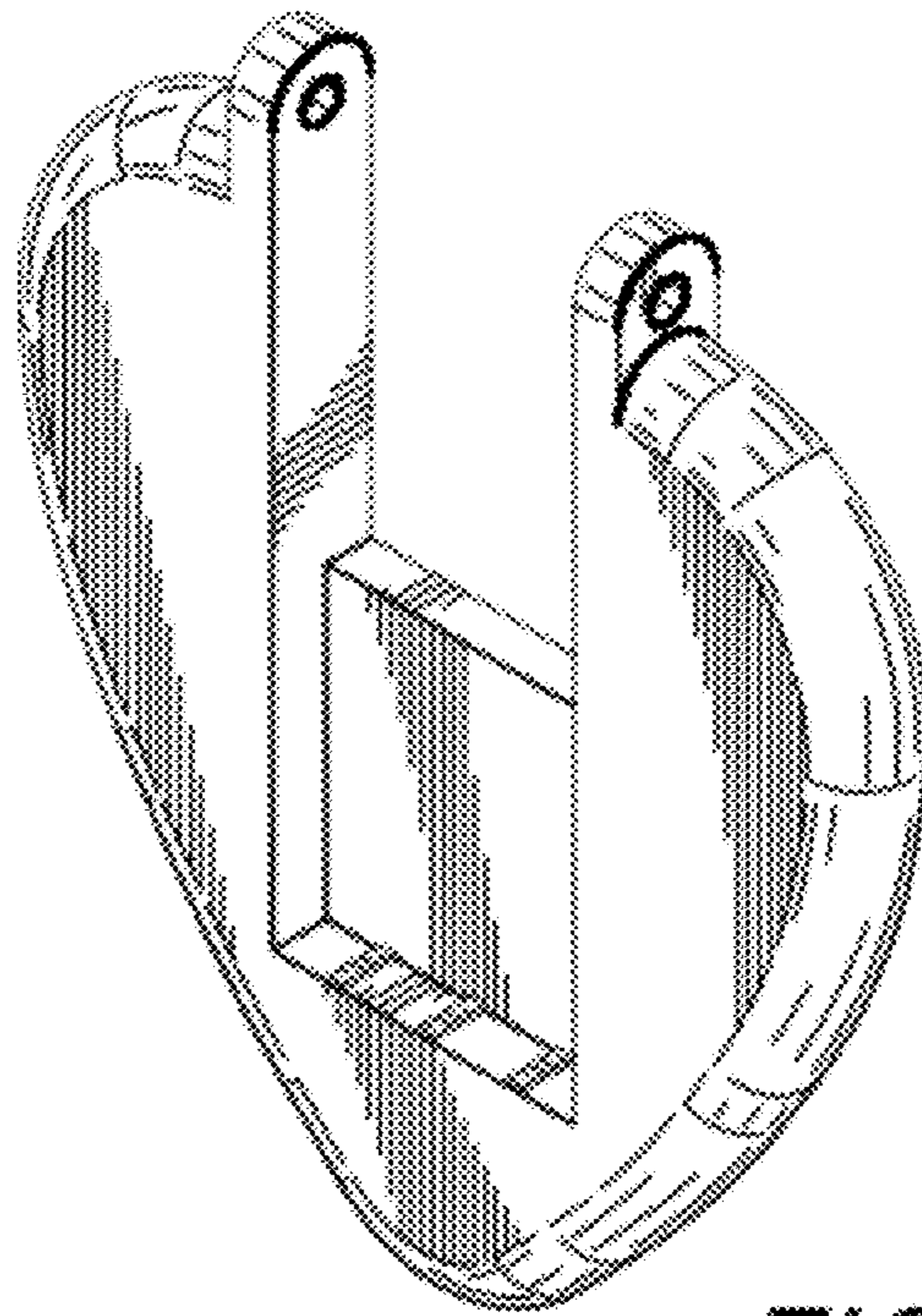


FIG. 1

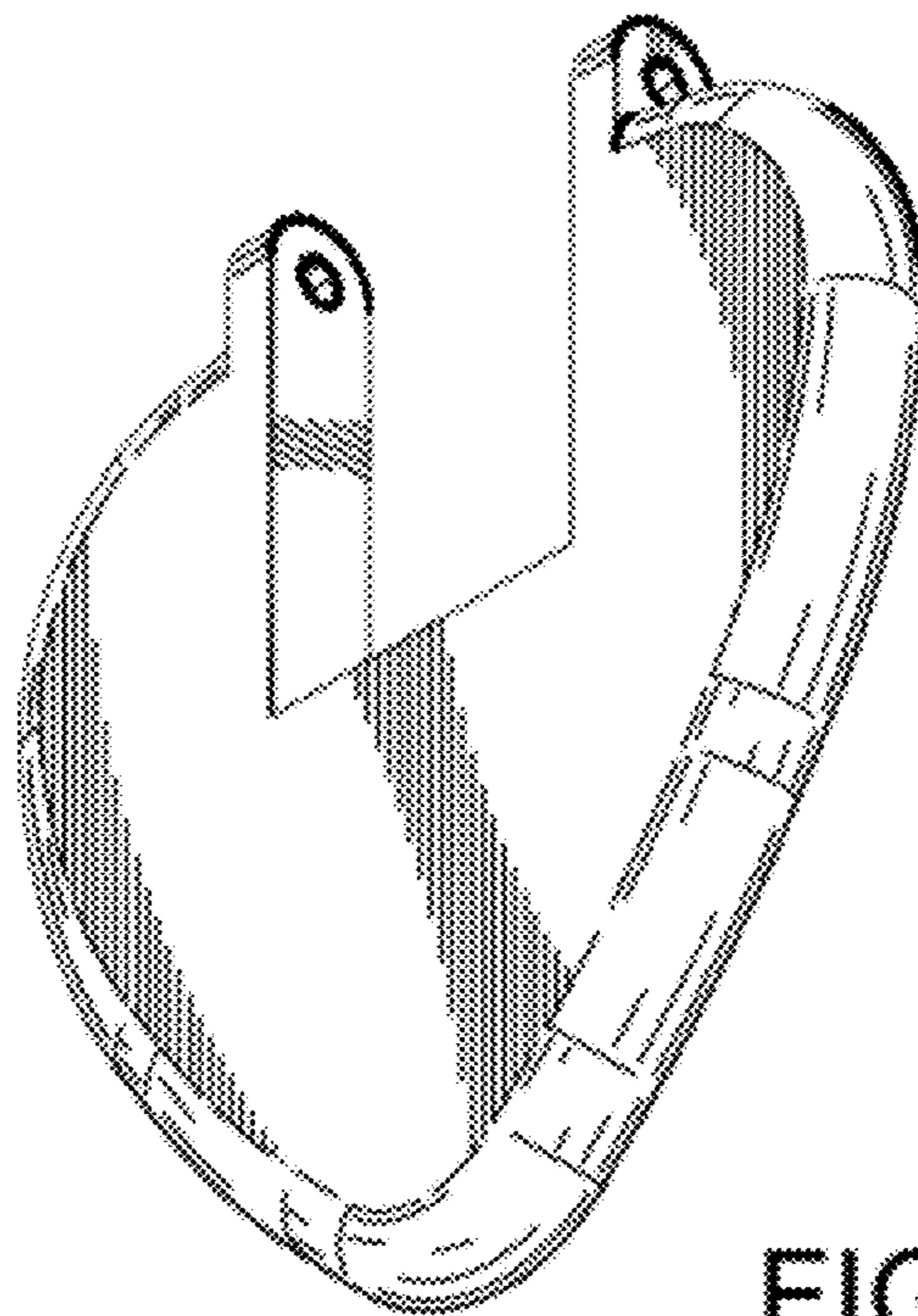


FIG. 2

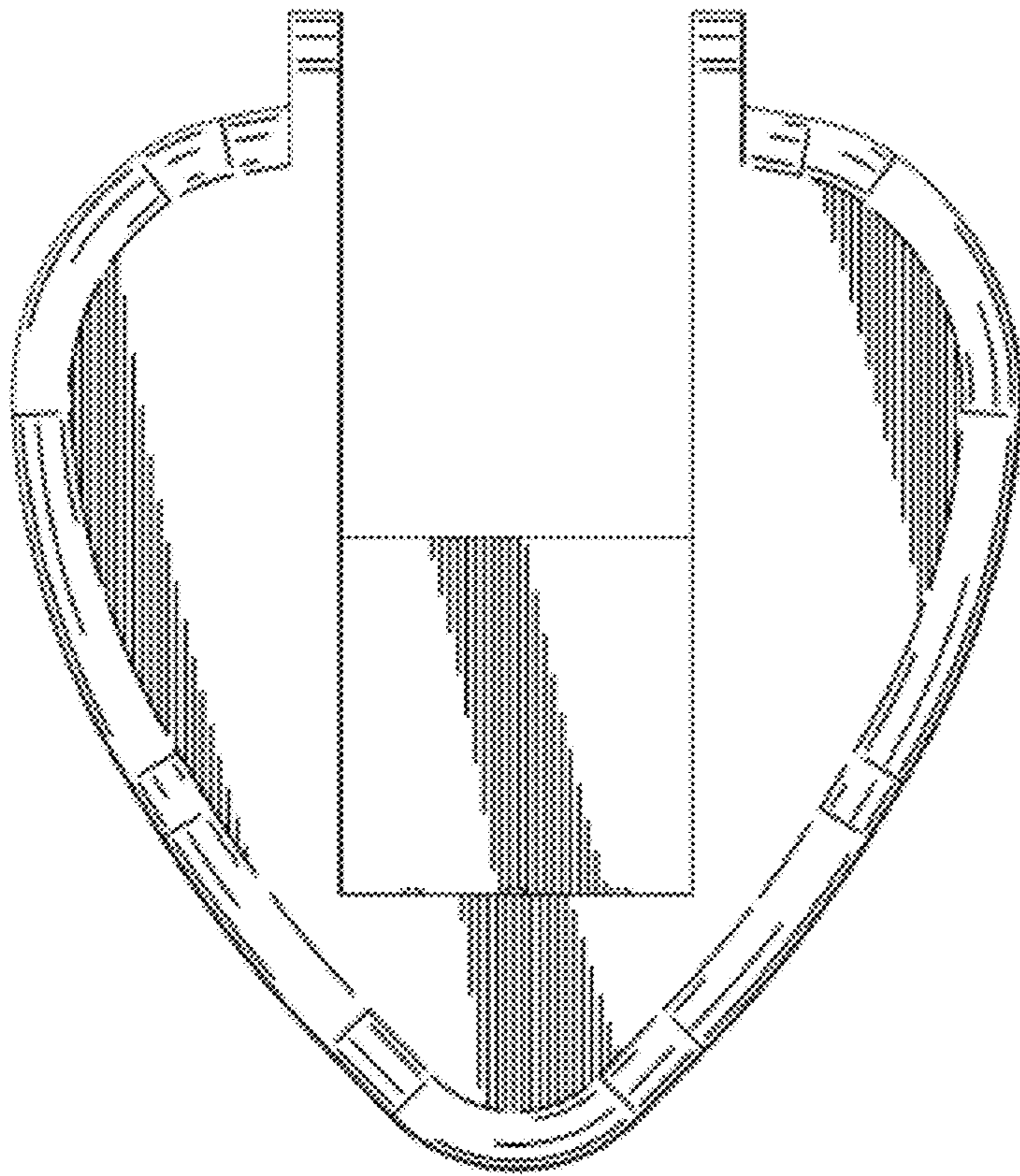


FIG. 3



FIG. 4

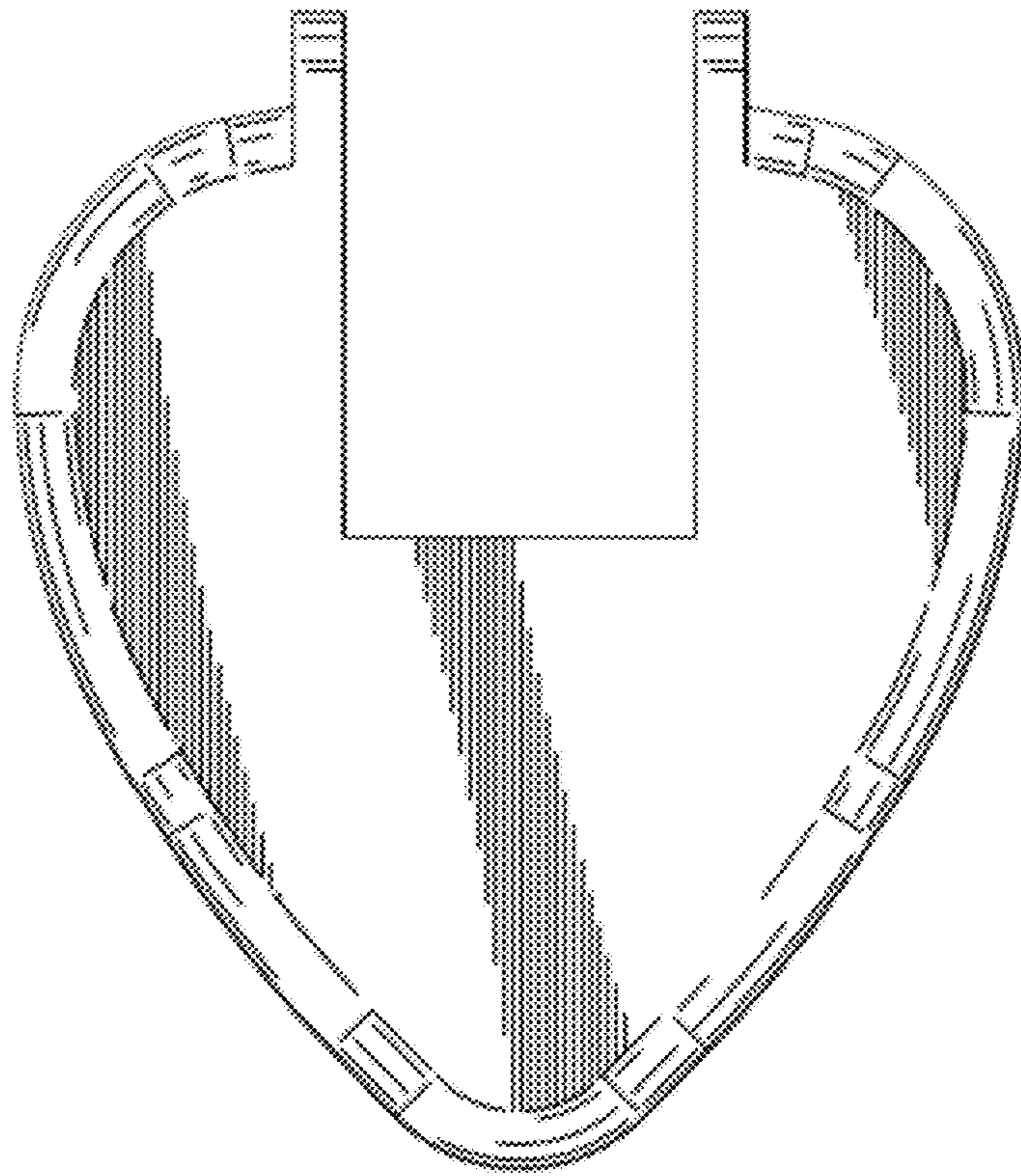


FIG. 5



FIG. 6

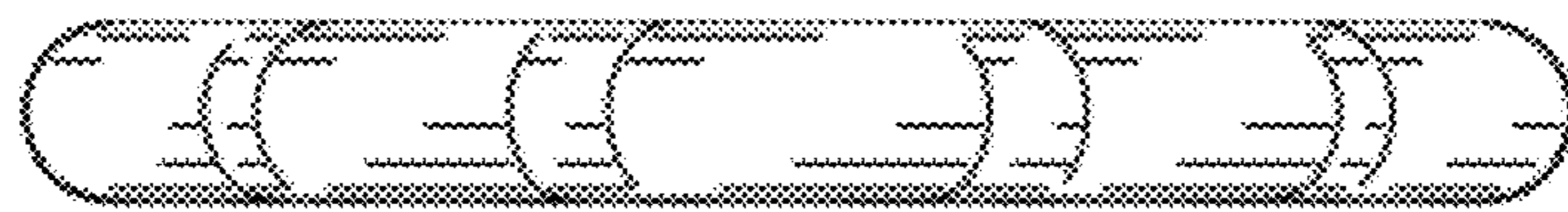


FIG. 7