



US00D671122S

(12) **United States Design Patent**
Harper et al.

(10) **Patent No.:** **US D671,122 S**
(45) **Date of Patent:** **** Nov. 20, 2012**

(54) **OPERATION BUTTONS OF DISPLAY**

(75) Inventors: **Pierre Harper**, Santa Cruz, CA (US);
François Montay, Zurich (CH); **Kai Halsinger**, Portland, OR (US); **Tze Ming Lee**, Singapore (SG); **Isaac Marchionna**, Portland, OR (US)

(73) Assignee: **Wacom Co., Ltd.**, Kazo-shi (JP)

(**) Term: **14 Years**

(21) Appl. No.: **29/407,371**

(22) Filed: **Nov. 28, 2011**

(51) **LOC (9) Cl.** **14-02**

(52) **U.S. Cl.** **D14/456**

(58) **Field of Classification Search** D14/138,
D14/247, 341-346, 391-399, 455, 456; D18/1,
D18/2, 7, 11, 4.1-4.6, 24-28; 178/17 A,
178/17 C; 200/5 A, 5 R, 6 A, 6 R; 235/145 A,
235/145 R; 341/22, 23; 345/160, 168, 169;
361/679.08, 679.09, 679.11, 679.12; 400/484-489,
400/492, 682; 455/418, 550.1, 556.2, 575.1,
455/575.3, 575.4

See application file for complete search history.

(56) **References Cited**

U.S. PATENT DOCUMENTS

5,661,632	A *	8/1997	Register	361/679.3
6,624,803	B1 *	9/2003	Vanderheiden et al.	345/156
D489,051	S *	4/2004	Shiraki et al.	D14/238.1
D554,073	S *	10/2007	Mayo et al.	D13/164
D571,762	S *	6/2008	Lee et al.	D14/138 AD
D613,269	S *	4/2010	Masui et al.	D14/217
D633,506	S *	3/2011	Jordan et al.	D14/455
2003/0058139	A1 *	3/2003	Sakurai	341/22

FOREIGN PATENT DOCUMENTS

JP D1267825 S 4/2006

OTHER PUBLICATIONS

Cintiq 12WX, Display, product information, © 2012 Wacom Co., Ltd., 2 pages.

* cited by examiner

Primary Examiner — Freda S Nunn

(74) *Attorney, Agent, or Firm* — Christensen O'Connor Johnson Kindness PLLC

(57) **CLAIM**

The ornamental design for operation buttons of display, as shown and described.

DESCRIPTION

FIG. 1 is a front elevation view of operation buttons of display showing our new design, wherein the display is shown supported by a stand as environmental subject matter in a first position;

FIG. 2 is a rear elevation view of the display and stand shown in FIG. 1;

FIG. 3 is a left side elevation view thereof, wherein the right side elevation view is a mirror image of FIG. 3;

FIG. 4 is a top plan view of the operation buttons of the display and the stand shown in FIG. 1;

FIG. 5 is a bottom plan view of the display and stand shown in FIG. 1;

FIG. 6 is a front right isometric view of the operation buttons of the display and the stand shown in FIG. 1; and,

FIG. 7 is an additional front right isometric view thereof, wherein the display and stand are shown as environmental subject matter in a second position.

The broken lines in FIGS. 1 through 7 illustrate environmental subject matter and form no part of the claimed design.

1 Claim, 4 Drawing Sheets

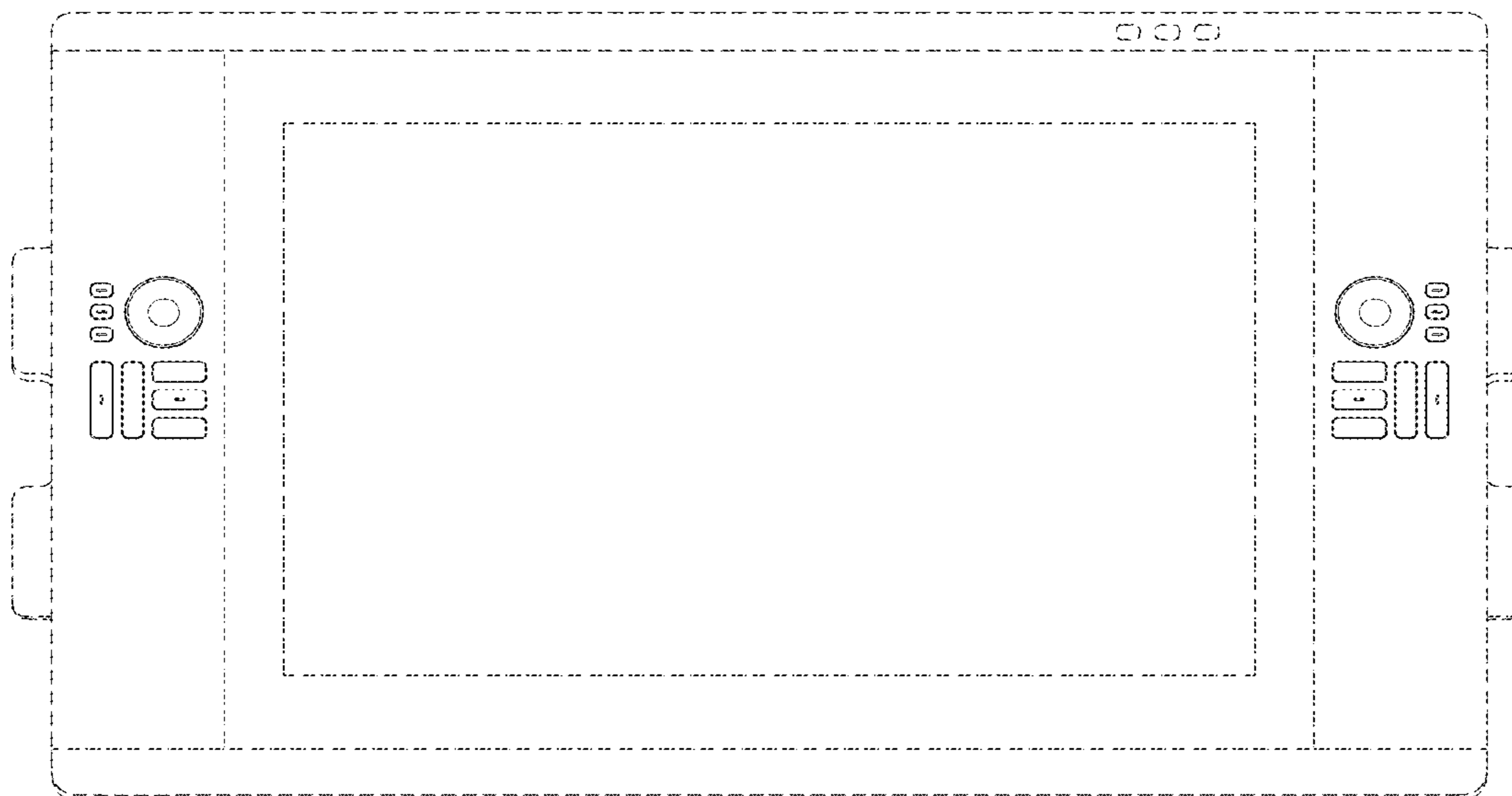




Fig. 1.

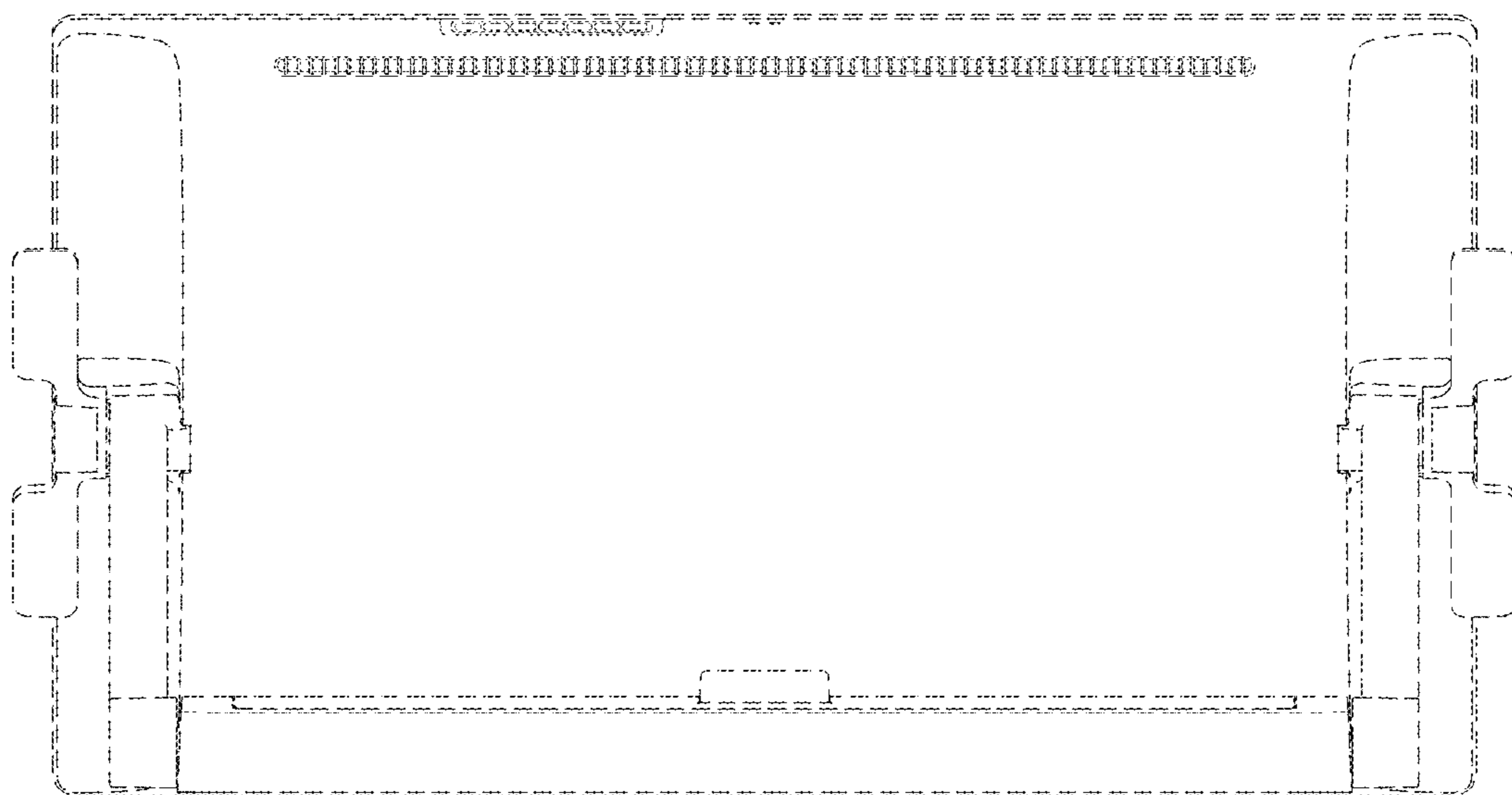


Fig. 2.

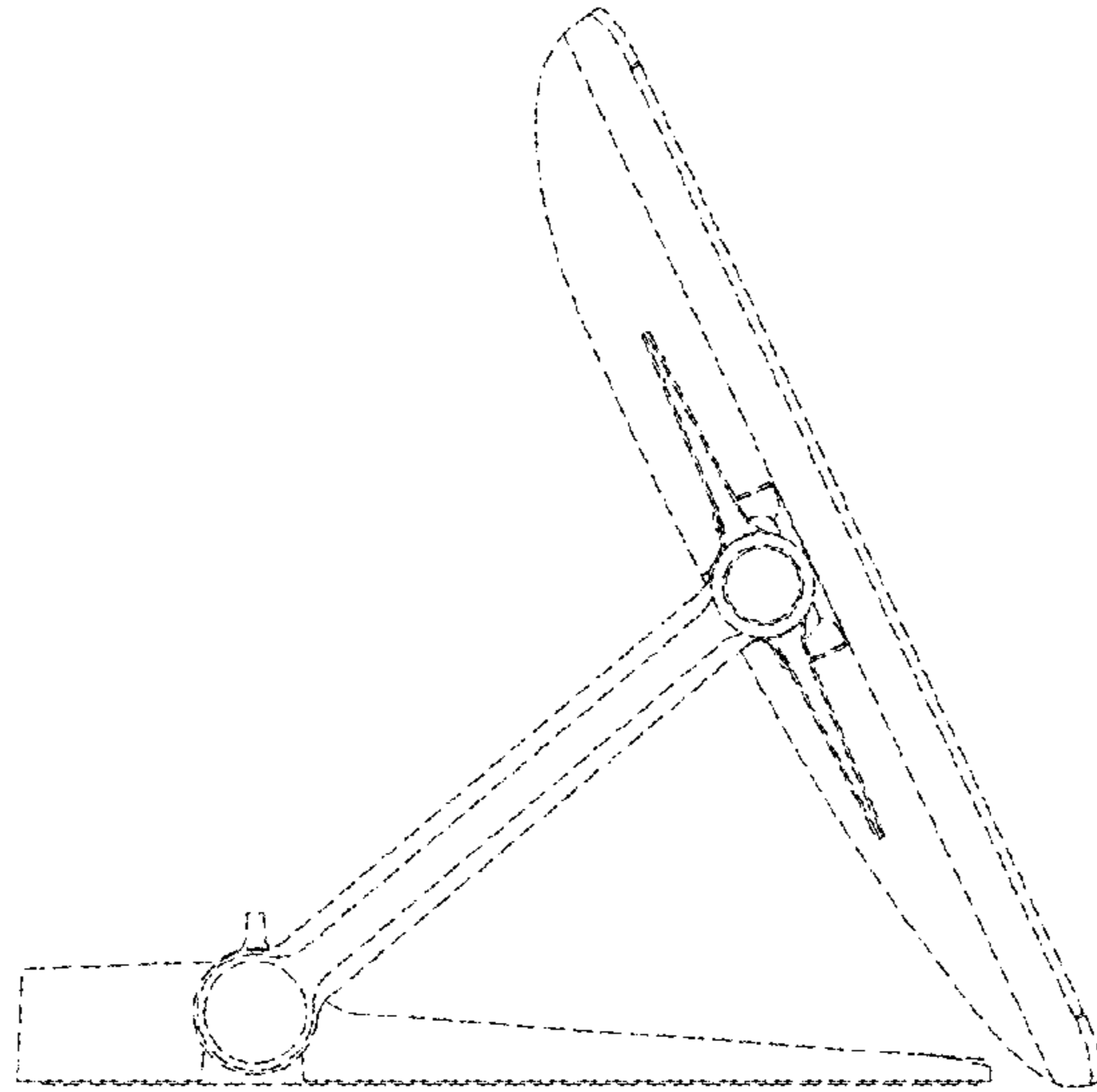


Fig. 3.

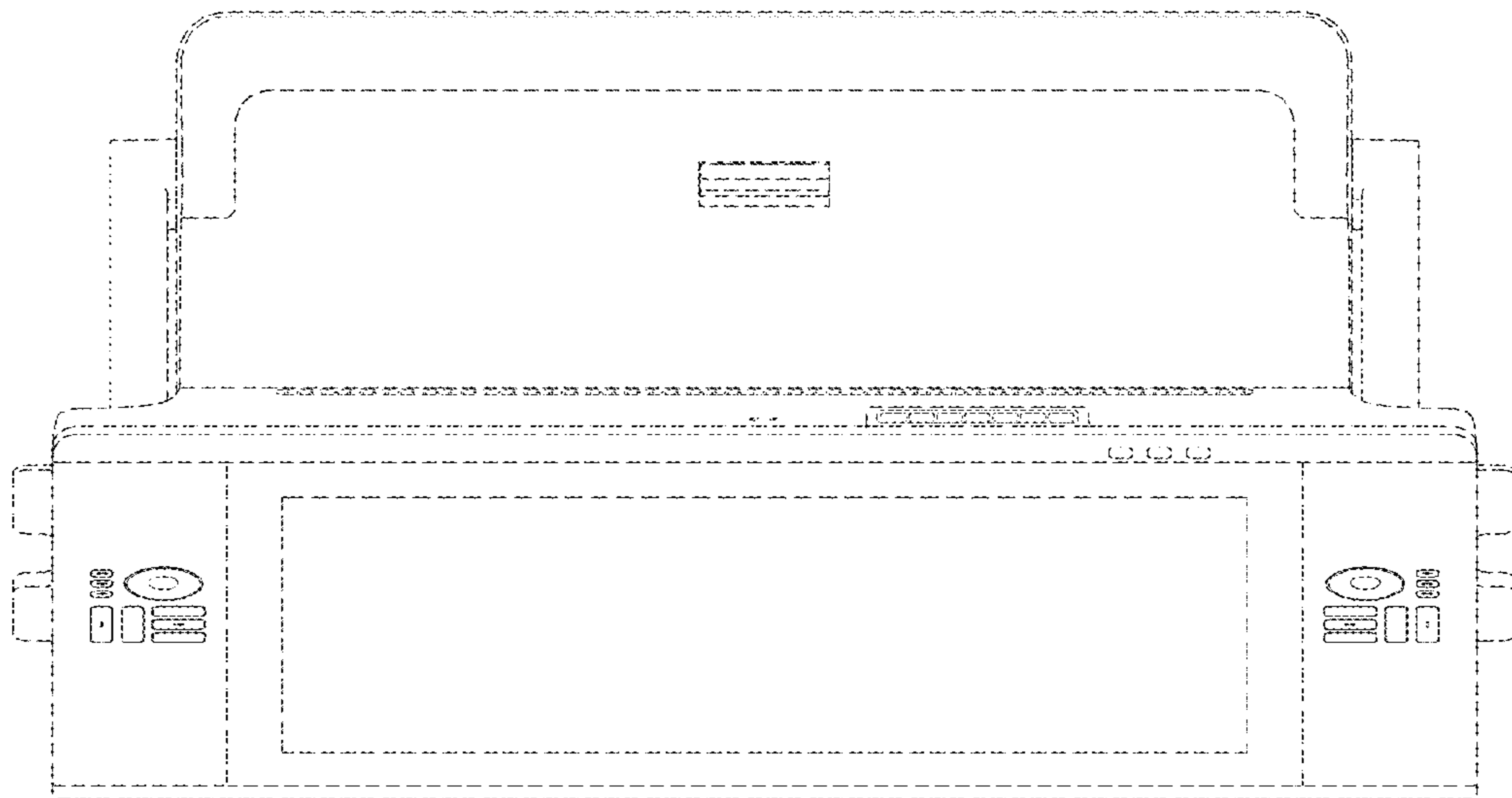


Fig. 4.



Fig. 5.

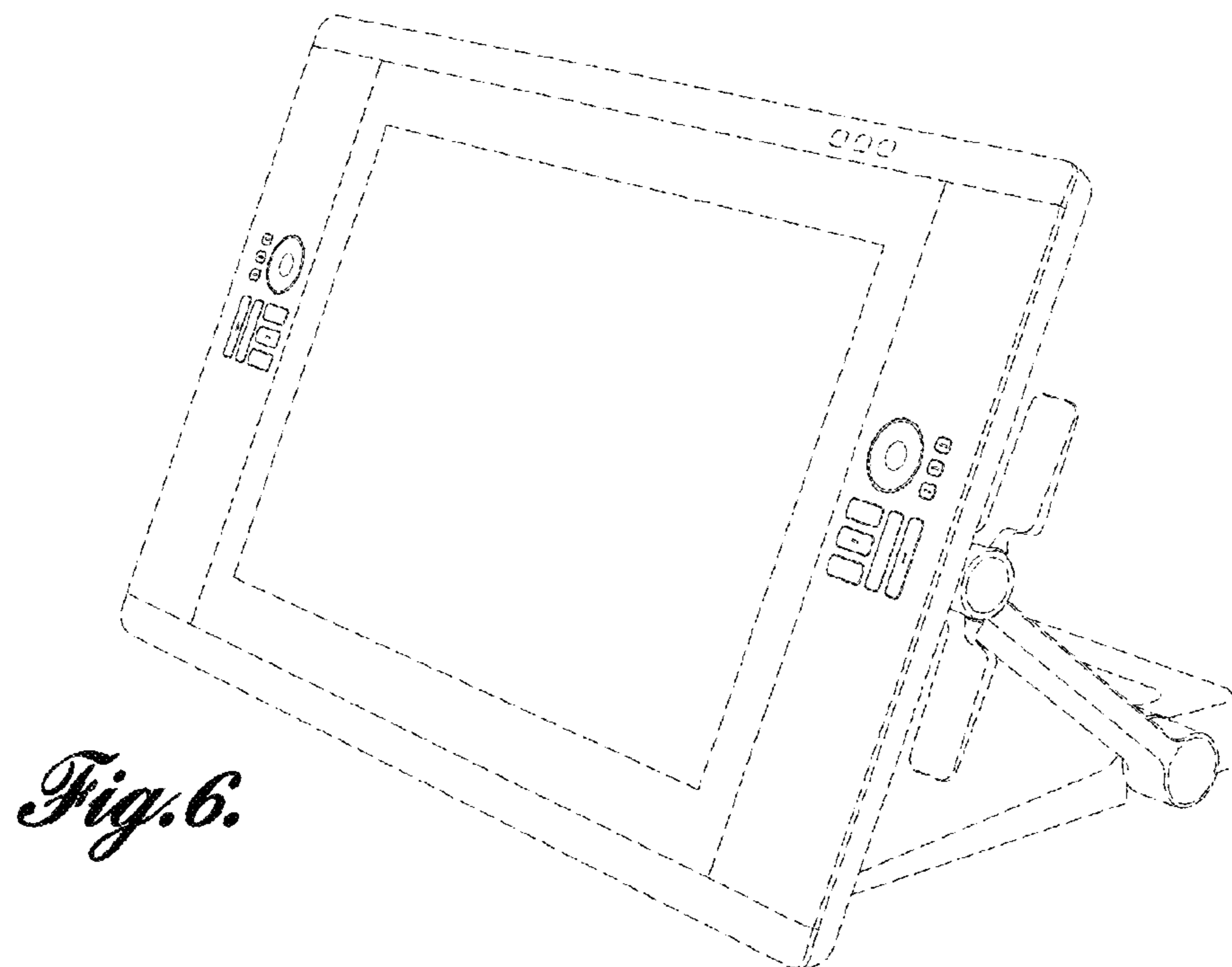


Fig. 6.

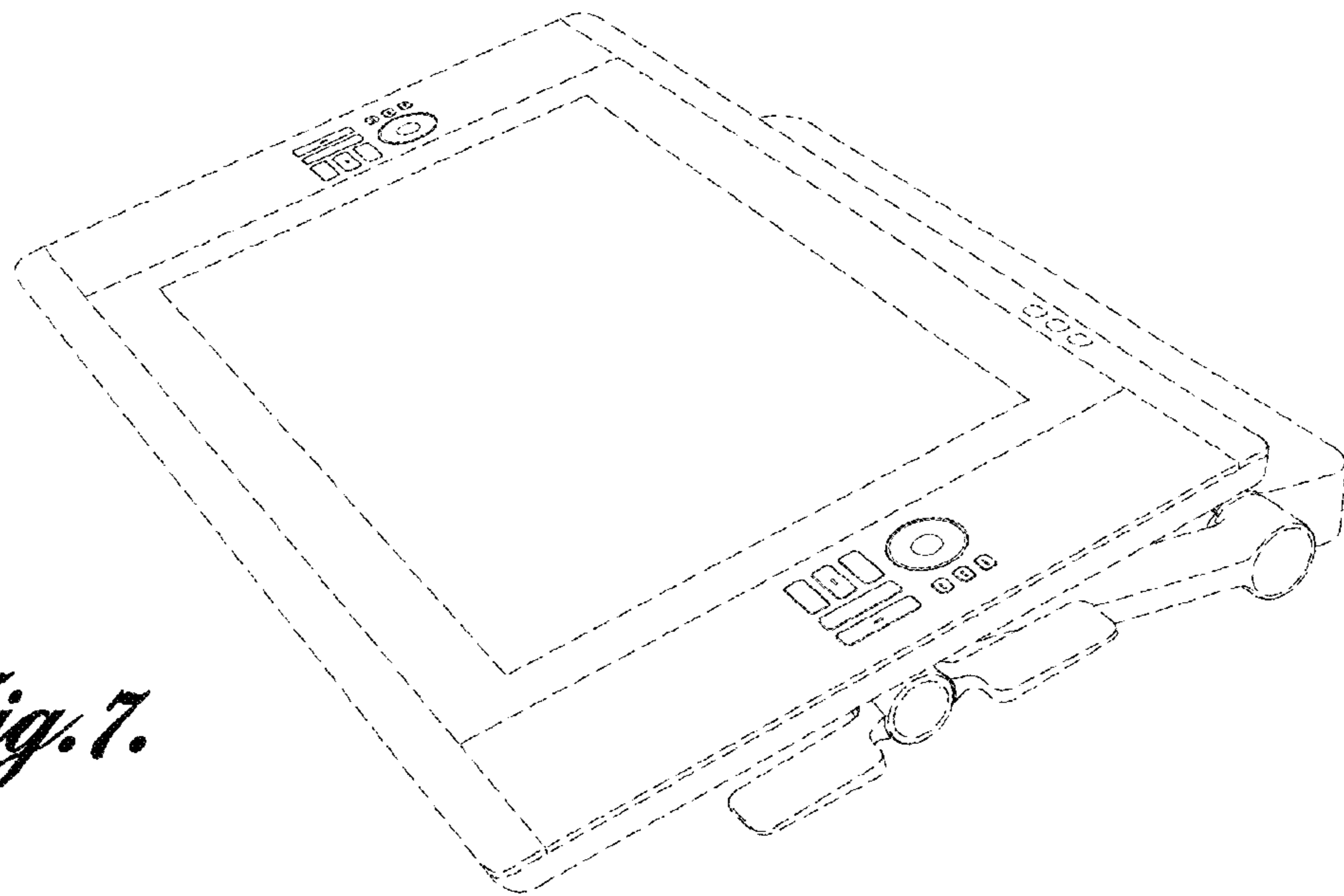


Fig. 7.

UNITED STATES PATENT AND TRADEMARK OFFICE
CERTIFICATE OF CORRECTION

PATENT NO. : D671,122 S
APPLICATION NO. : 29/407371
DATED : November 20, 2012
INVENTOR(S) : P. Harper et al.

Page 1 of 1

It is certified that error appears in the above-identified patent and that said Letters Patent is hereby corrected as shown below:

Title Page, insert Item (30)

--(30) Foreign Application Priority Data

May 27, 2011 (JP).....2011-011891--

Signed and Sealed this
Twenty-fourth Day of February, 2015



Michelle K. Lee
Deputy Director of the United States Patent and Trademark Office