



US00D671118S

(12) **United States Design Patent**
Wesolek

(10) **Patent No.:** **US D671,118 S**

(45) **Date of Patent:** **** Nov. 20, 2012**

- (54) **2-IN-1 PAYMENT MODULE**
- (75) Inventor: **Bryan J. Wesolek**, Laporte, IN (US)
- (73) Assignee: **Data Ltd., Inc.**, Laporte, IN (US)
- (**) Term: **14 Years**
- (21) Appl. No.: **29/419,422**
- (22) Filed: **Apr. 27, 2012**
- (51) **LOC (9) Cl.** **14-02**
- (52) **U.S. Cl.** **D14/385**
- (58) **Field of Classification Search** D14/356–358,
D14/383–385, 420, 426, 427, 432–439, 447,
D14/453, 454, 217, 253, 299; D13/107,
D13/108, 133, 146, 147, 152, 154, 156, 158,
D13/162, 162.1, 168, 173, 177, 102; 235/441,
235/451, 492, 380, 439, 375; 361/679.31,
361/600, 679.01, 679.02
See application file for complete search history.

- D535,995 S * 1/2007 Orthey D14/385
- D559,234 S * 1/2008 Girard D14/240
- D559,253 S * 1/2008 Arakaki et al. D14/385
- D560,219 S * 1/2008 Yamakawa et al. D14/385
- D586,813 S * 2/2009 Colburn D14/385
- D592,661 S * 5/2009 Woo et al. D14/358
- D607,000 S * 12/2009 Cheng et al. D14/485
- D619,582 S * 7/2010 Chen D14/420
- D646,273 S * 10/2011 Daniel D14/385

* cited by examiner

Primary Examiner — Austin Murphy

(74) *Attorney, Agent, or Firm* — Stites & Harbison PLLC;
Juan Carlos A. Marquez, Esq.

(57) **CLAIM**

The ornamental design for a 2-in-1 payment module, as shown and described.

DESCRIPTION

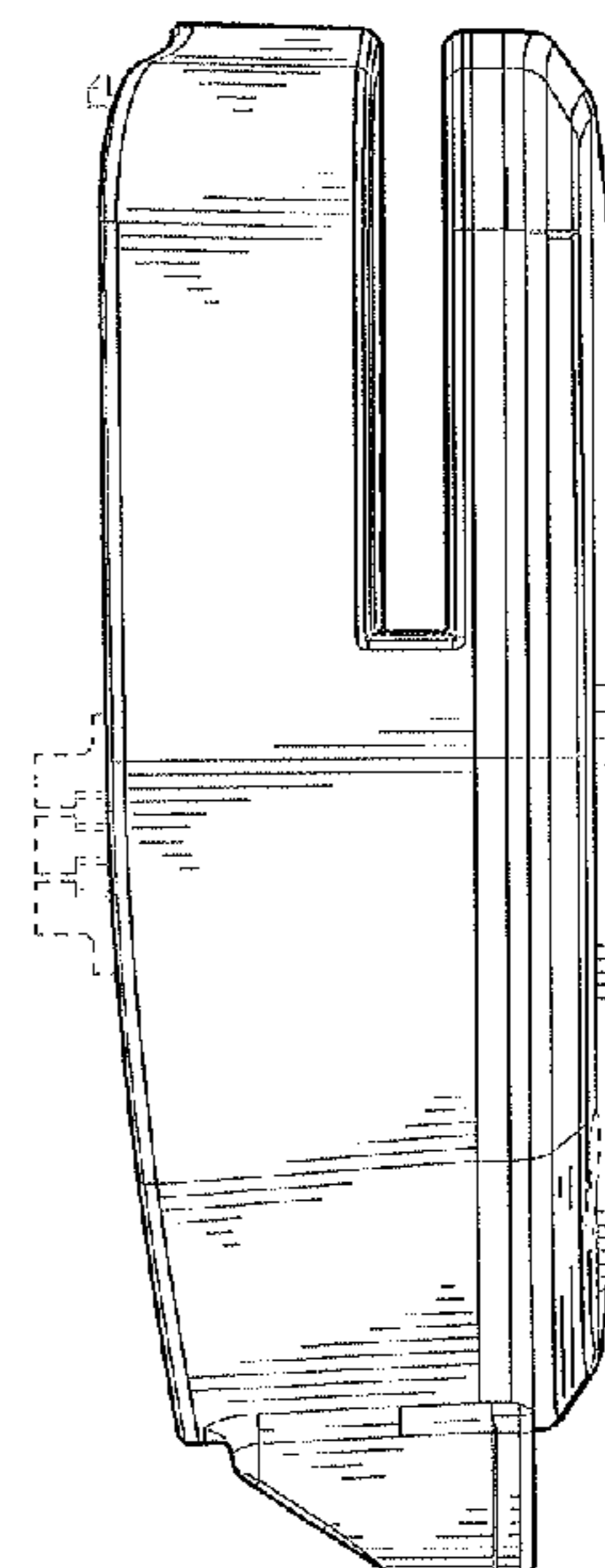
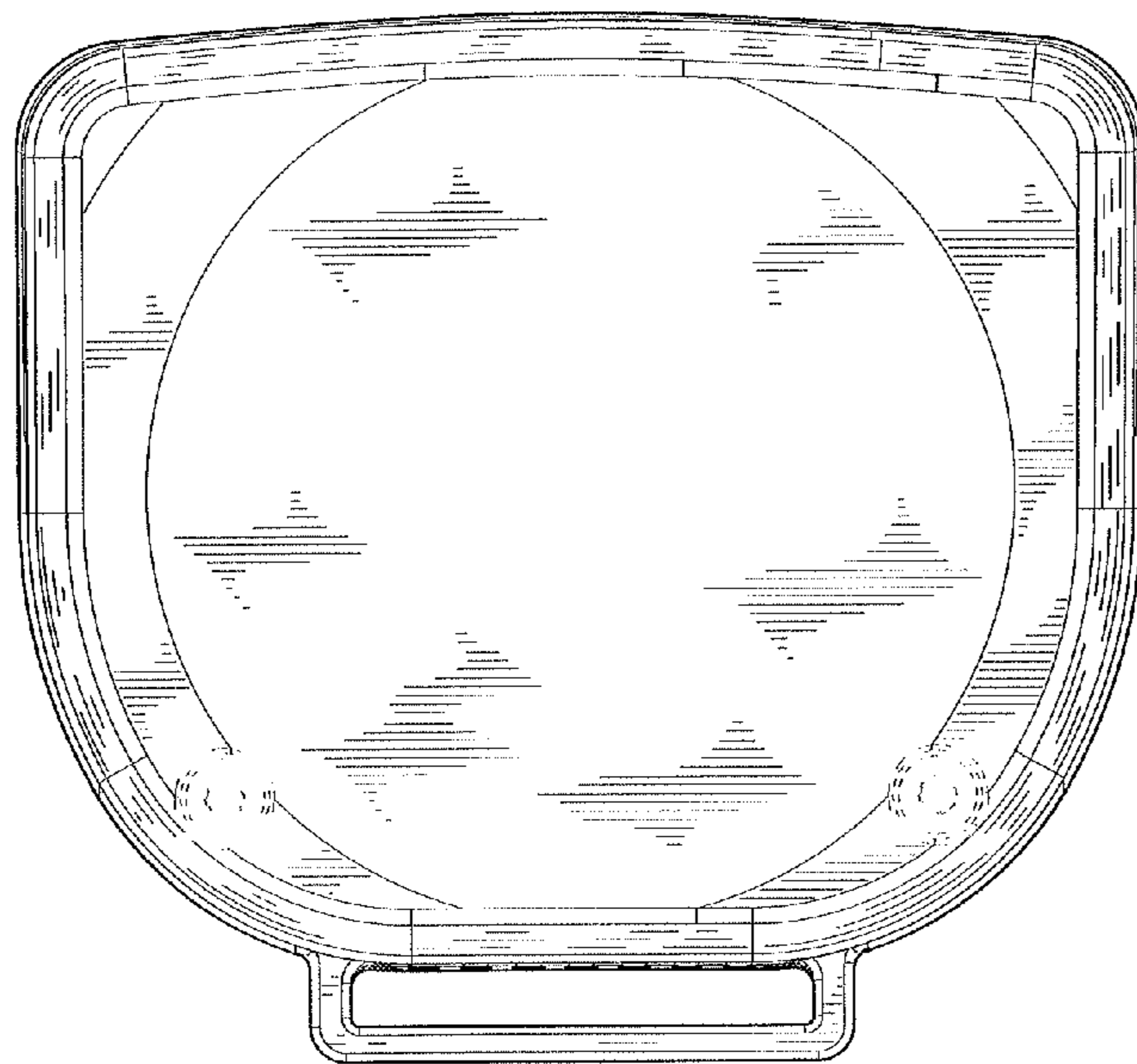
FIG. 1 is a perspective view of a 2-in-1 payment module;
 FIG. 2 is another perspective thereof;
 FIG. 3 is a front elevational view thereof;
 FIG. 4 is a rear elevational view thereof;
 FIG. 5 is a top plan view thereof;
 FIG. 6 is a bottom plan view thereof;
 FIG. 7 is a left side elevational view thereof;
 FIG. 8 is a right side elevational view thereof; and,
 FIG. 9 is a view showing the state of use thereof.
 The broken lines showing of portions of the 2-in-1 payment module are for the environmental purposes only and form no parts of the claimed design.

1 Claim, 5 Drawing Sheets

(56) **References Cited**

U.S. PATENT DOCUMENTS

- D377,346 S * 1/1997 Karlin D14/426
- D426,238 S * 6/2000 Liu D14/385
- D437,314 S * 2/2001 DeLeon D14/242
- D456,412 S * 4/2002 Khovaylo et al. D14/420
- D467,584 S * 12/2002 Sabella et al. D14/385
- 6,522,552 B1 * 2/2003 Lee 361/752
- D480,725 S * 10/2003 Funato D14/383
- D512,063 S * 11/2005 Walker et al. D14/385
- D513,615 S * 1/2006 Ryan D14/385
- D523,854 S * 6/2006 Rinna et al. D14/358



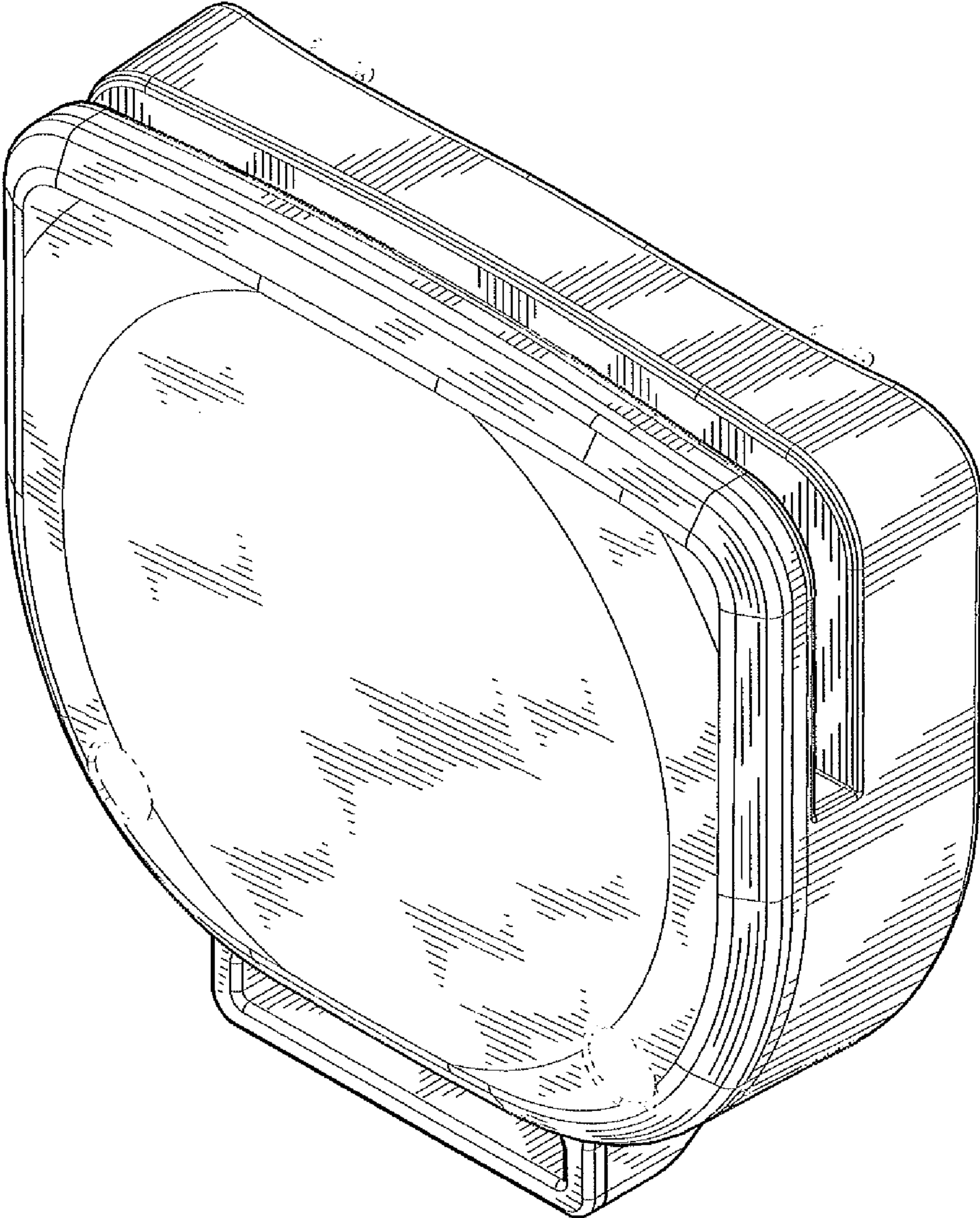


FIG. 1

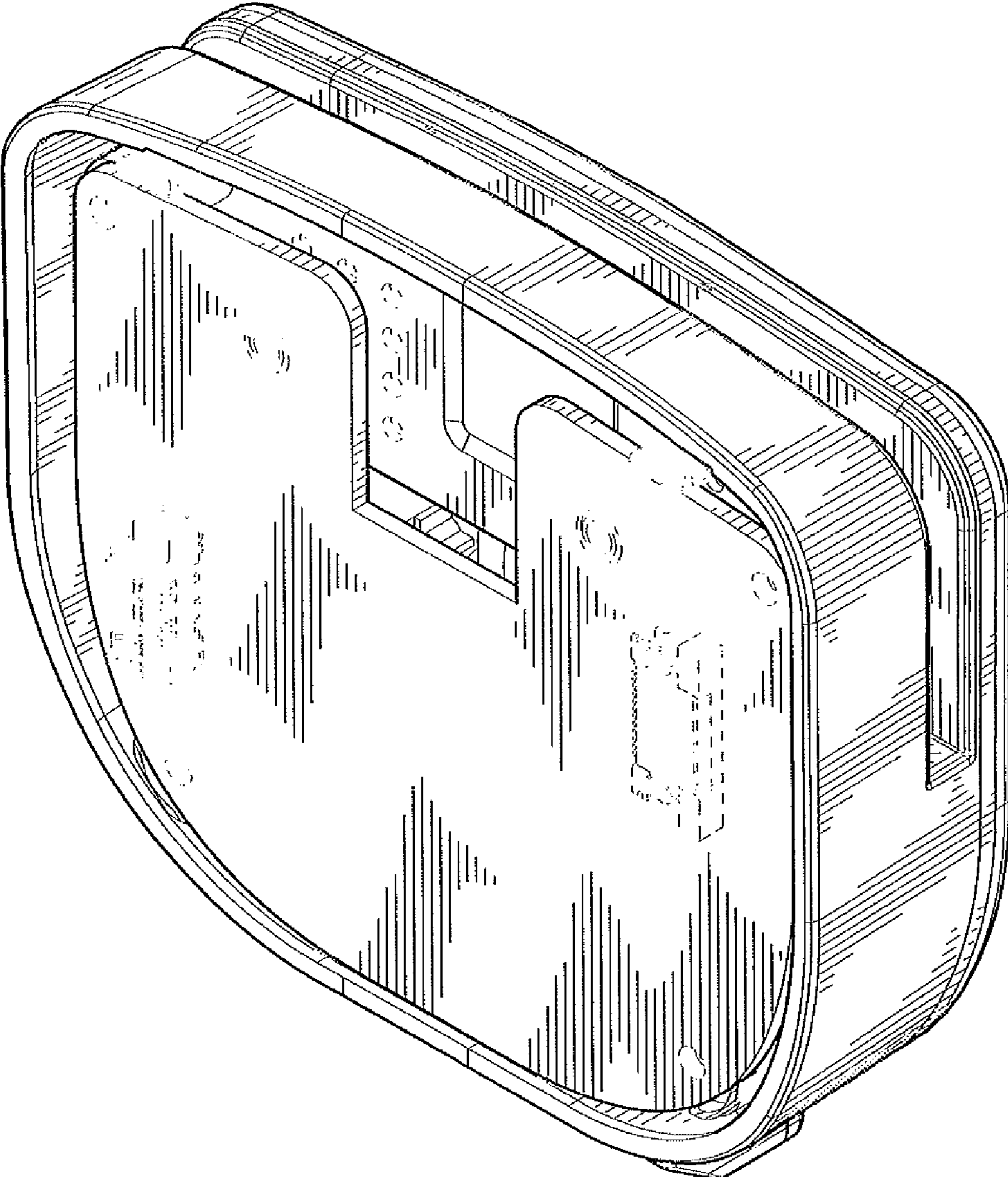


FIG. 2

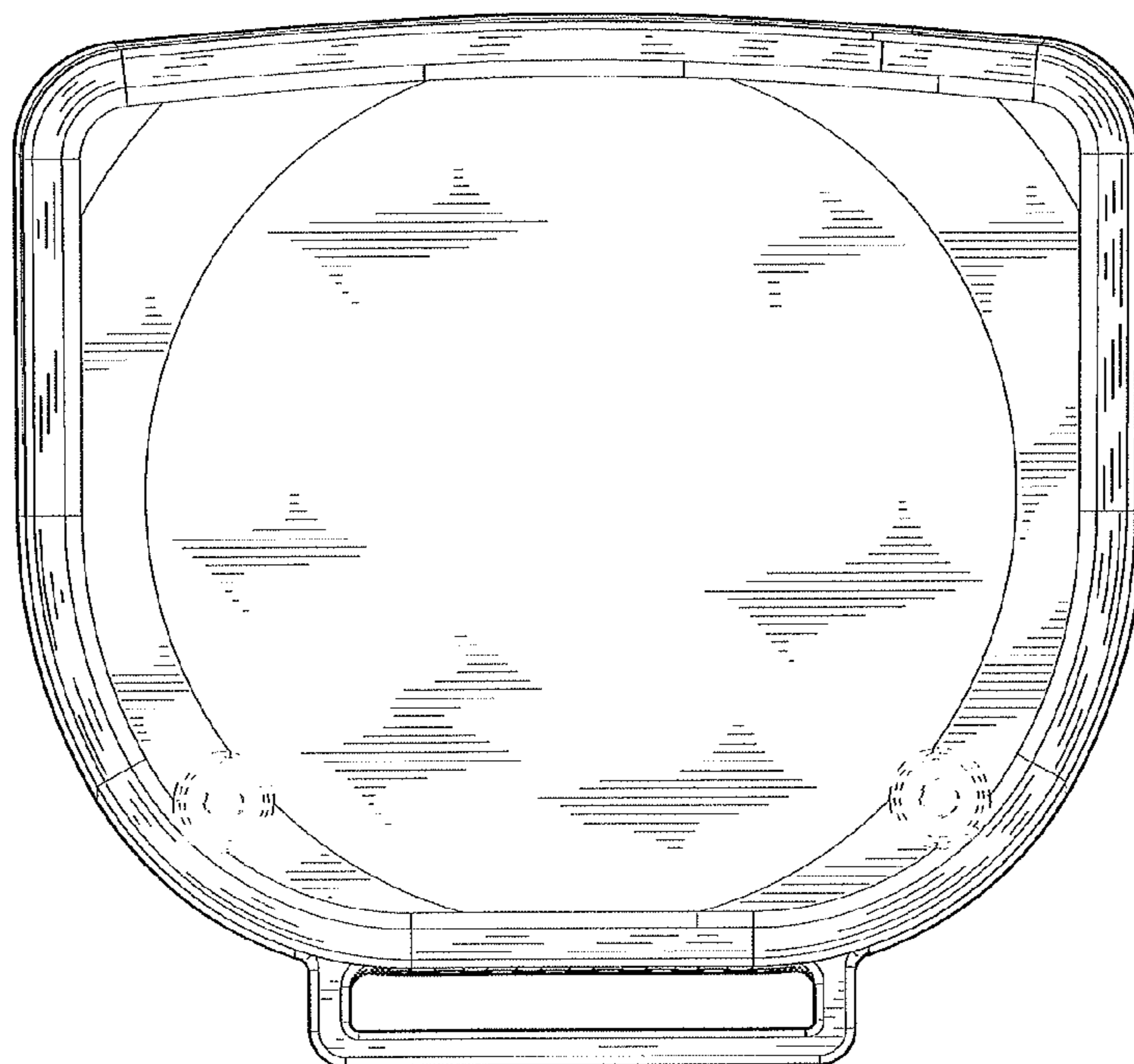


FIG. 3

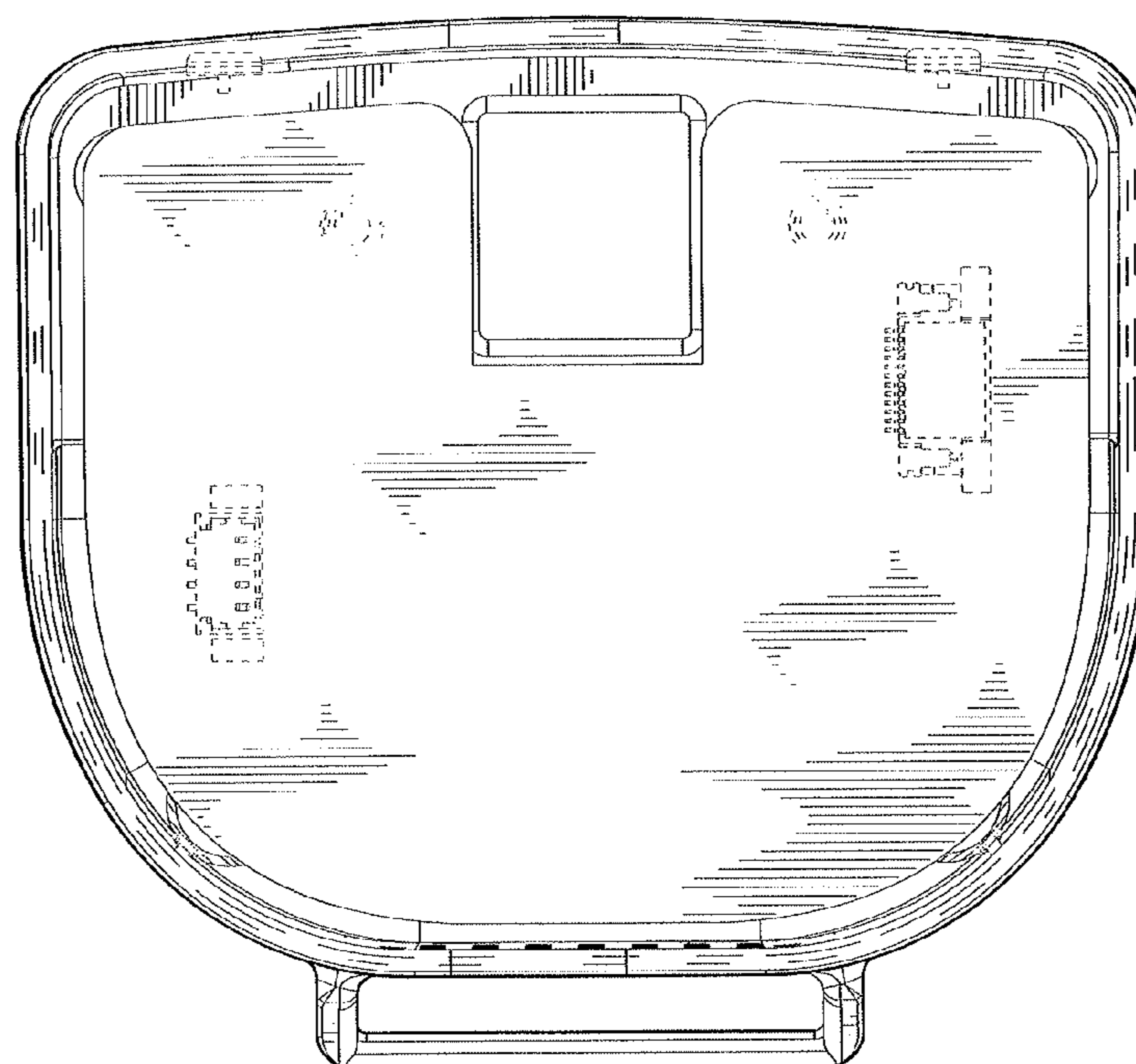


FIG. 4

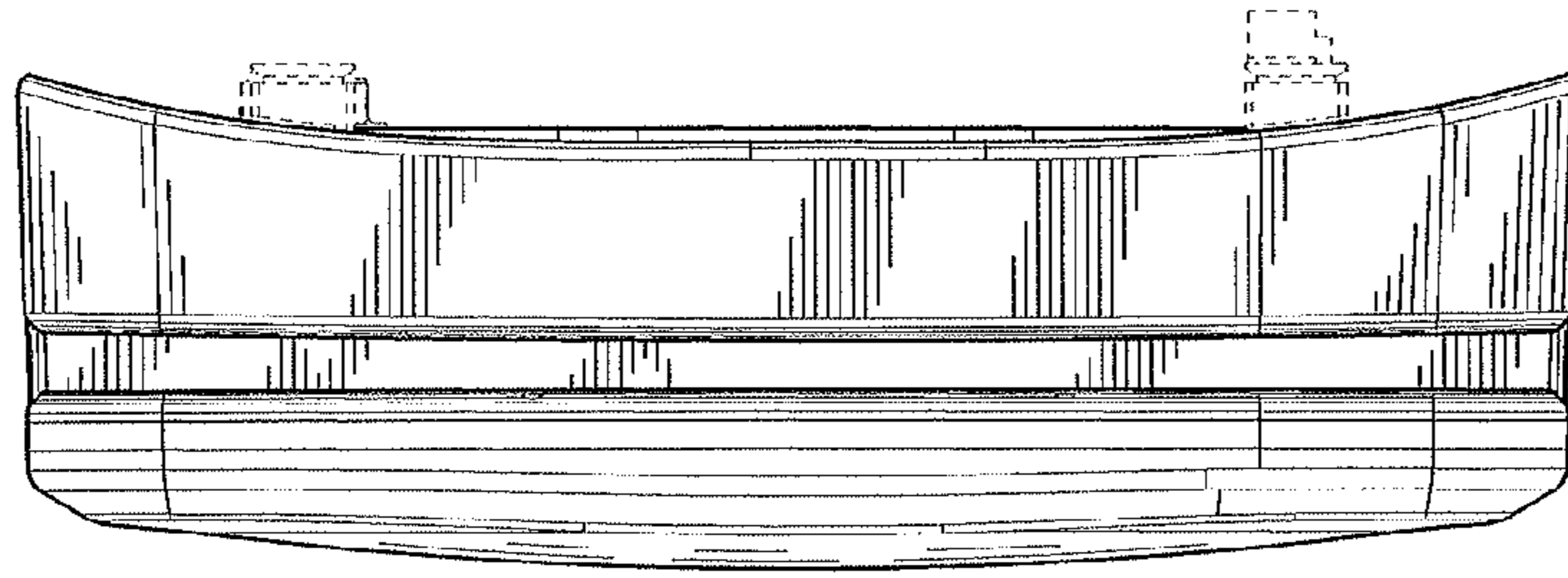


FIG. 5

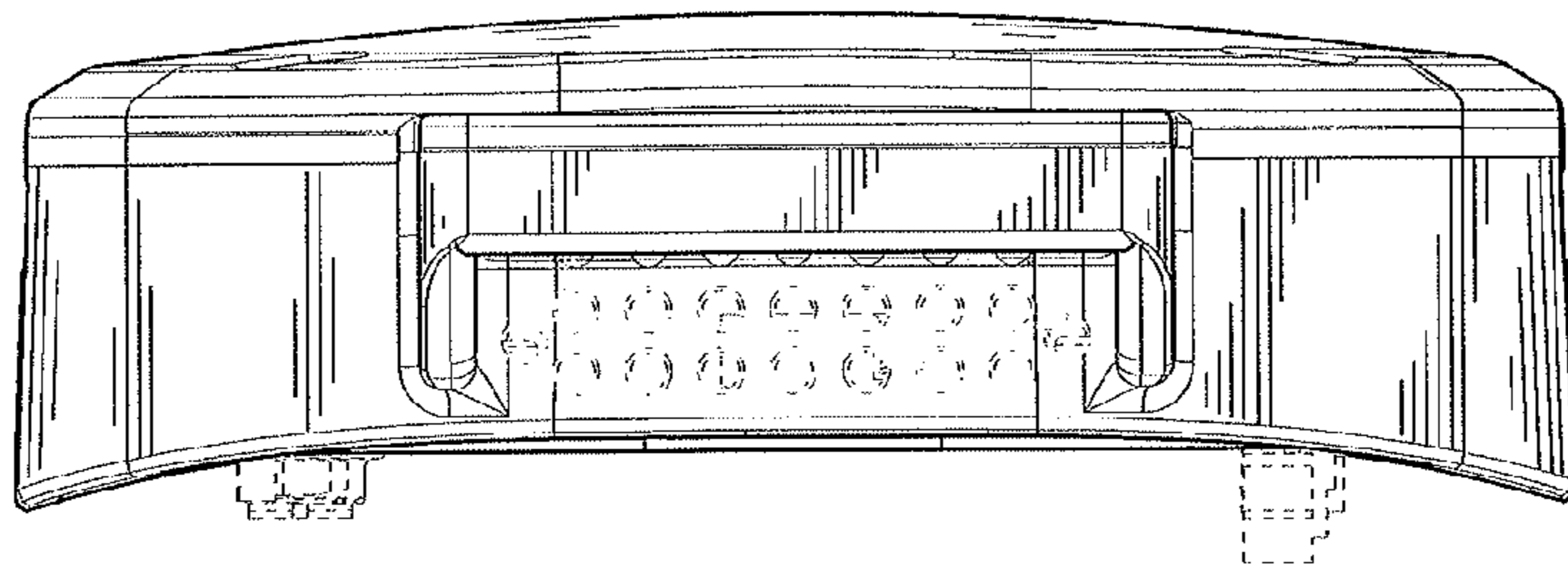


FIG. 6

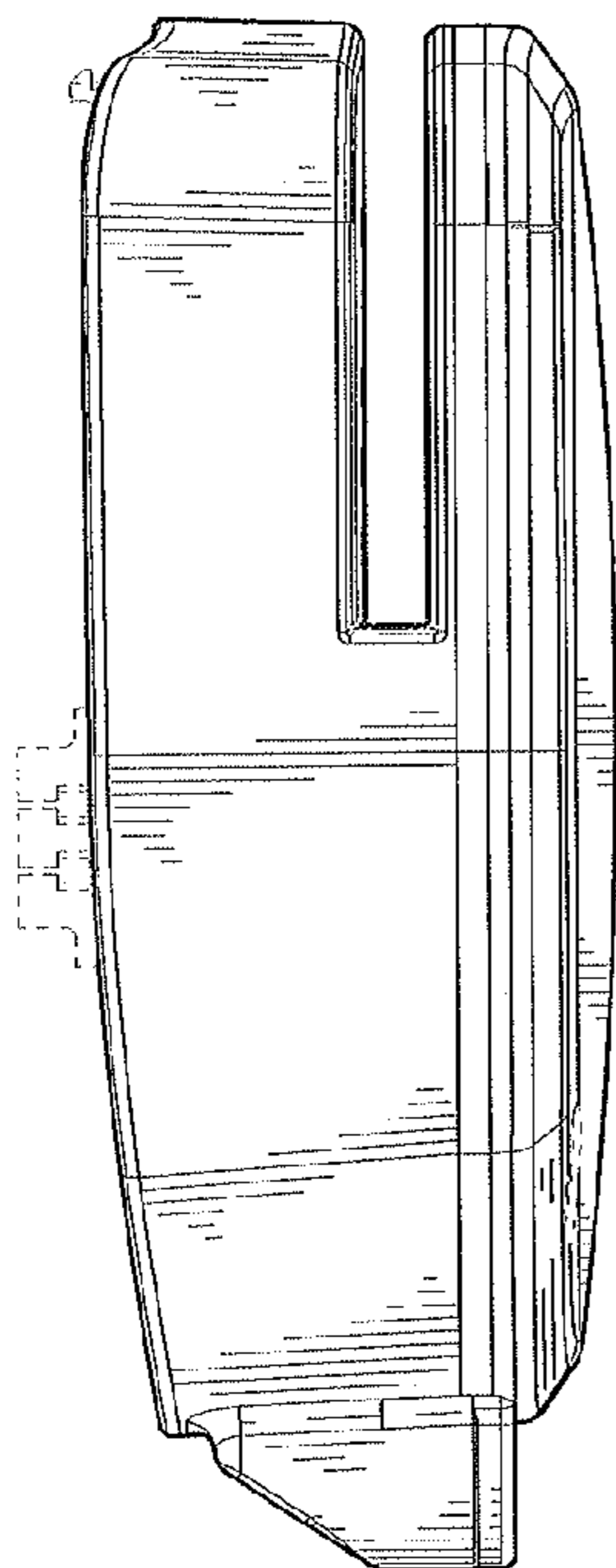


FIG. 7

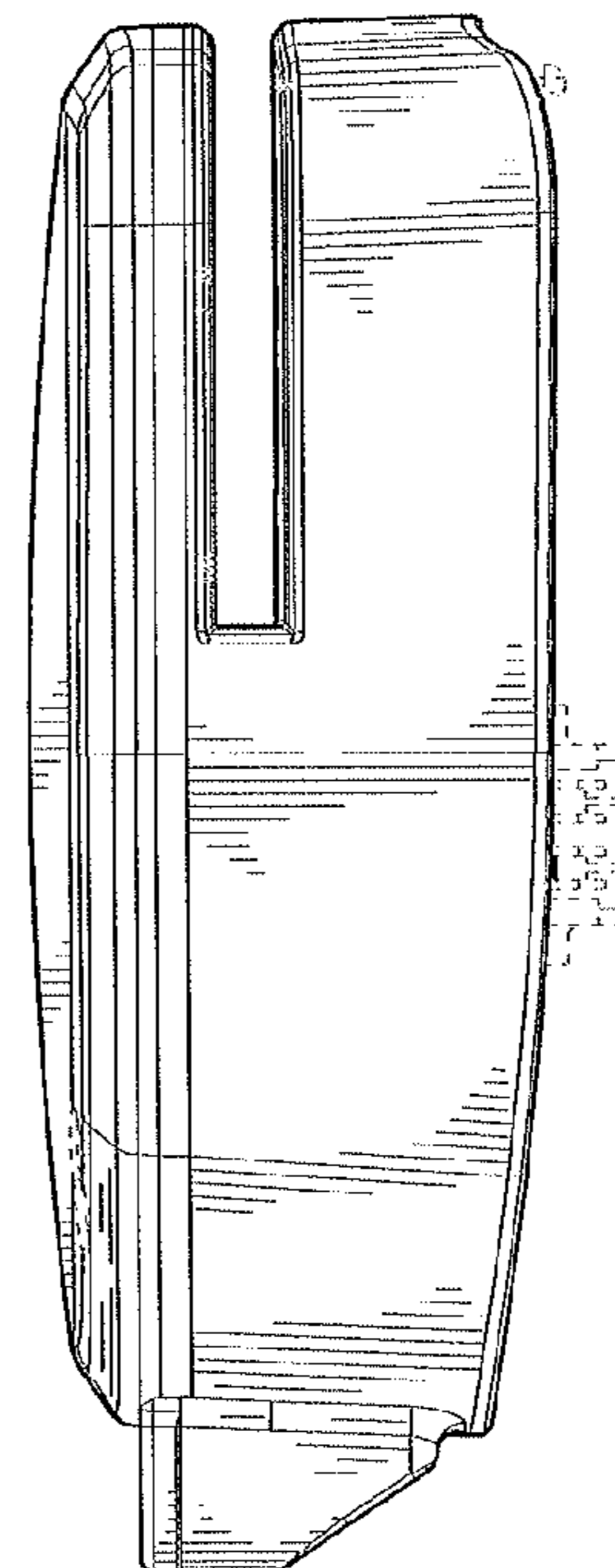


FIG. 8

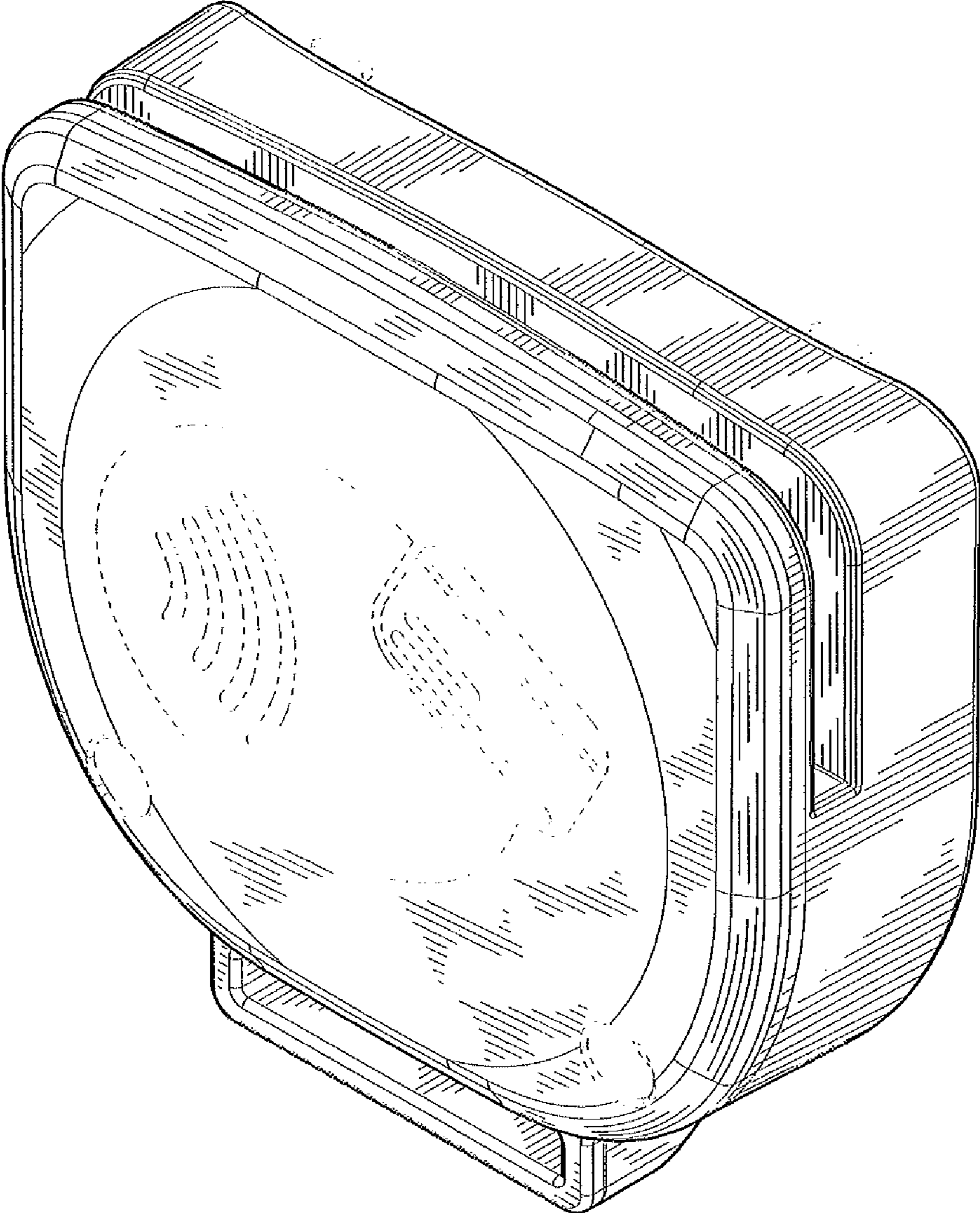


FIG. 9