



US00D671116S

(12) **United States Design Patent**
Phillips et al.

(10) **Patent No.:** **US D671,116 S**
(45) **Date of Patent:** **** Nov. 20, 2012**

(54) **MEDIA GATEWAY, SERVER AND STORAGE DEVICE**

(75) Inventors: **Sheldon George Phillips**, Thousand Oaks, CA (US); **Andre de Salis**, Pasadena, CA (US); **Ben Crosby**, Murphy, TX (US)

(73) Assignee: **Thomson Licensing**, Issy-les-Moulineaux Cedex (FR)

(**) Term: **14 Years**

(21) Appl. No.: **29/382,556**

(22) Filed: **Jan. 5, 2011**

(51) **LOC (9) Cl.** **14-02**

(52) **U.S. Cl.** **D14/356; D14/358; D14/301**

(58) **Field of Classification Search** D14/300-302, D14/313, 314, 341, 348-370, 383, 385, 432, D14/435, 436, 496, 125, 135, 137, 155, 240-242, D14/299; D3/201, 273; D18/56; D10/65, D10/75, 78; D13/103, 149, 162, 184, 199; 361/679.31, 679.33, 679.4, 752; 711/100, 711/115

See application file for complete search history.

(56) **References Cited**

U.S. PATENT DOCUMENTS

D250,589 S *	12/1978	Greene	D14/138 R
D348,254 S *	6/1994	Ratzlaff	D14/348
D349,488 S *	8/1994	Aderman et al.	D14/363
D413,021 S *	8/1999	Wheatley et al.	D14/240
D607,046 S *	12/2009	Sato	D18/50
D614,594 S *	4/2010	Suzuki	D14/125

* cited by examiner

Primary Examiner — Karen E Kearney

(74) *Attorney, Agent, or Firm* — Tutunjian & Bitetto, P.C.

(57) **CLAIM**

The ornamental design for a media gateway, server and storage device, as shown and described.

DESCRIPTION

FIG. 1 is a front left perspective view of the media gateway, server and storage device showing our new design;

FIG. 2 is a front view thereof;

FIG. 3 is a rear view thereof;

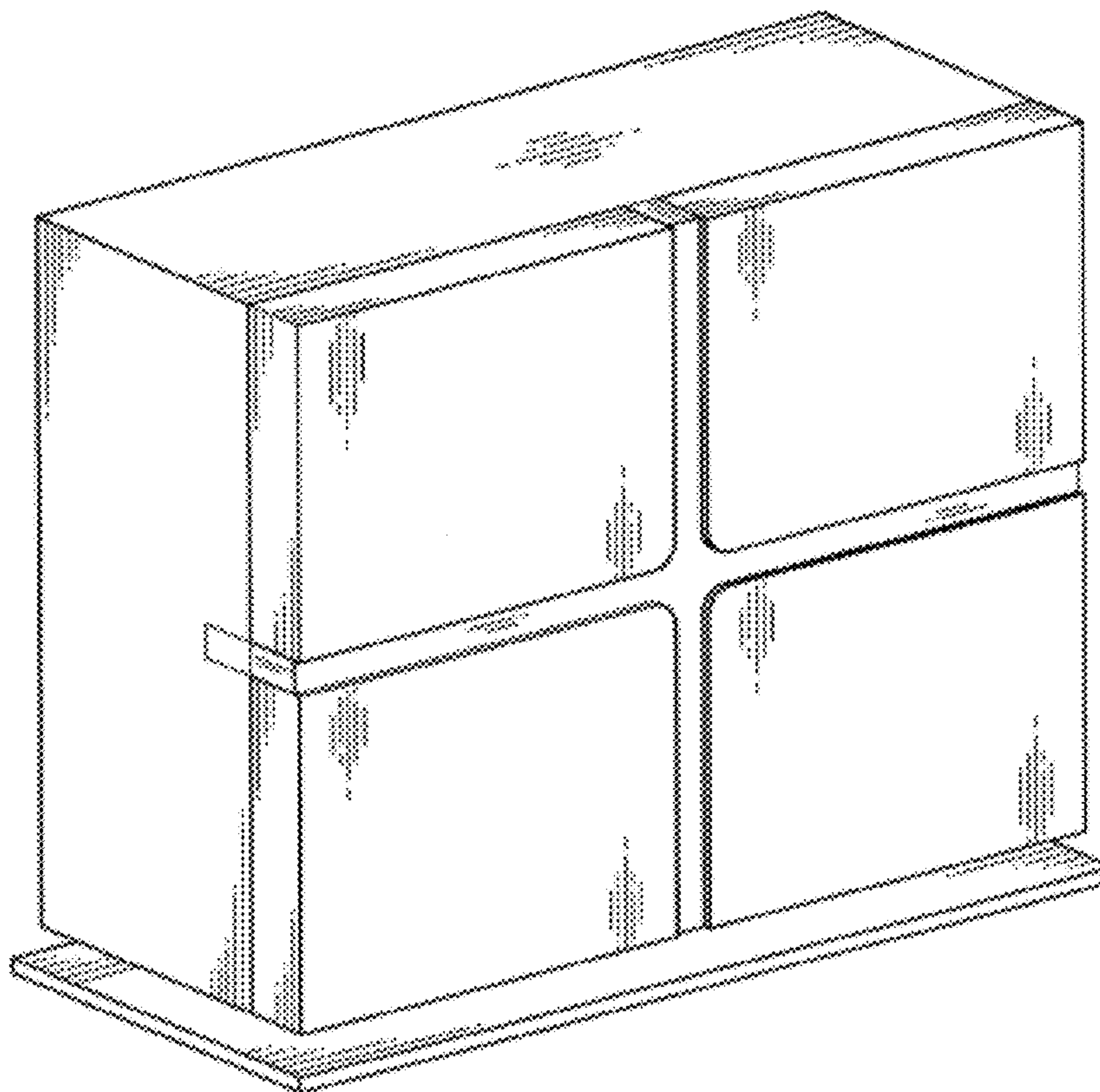
FIG. 4 is a top view thereof;

FIG. 5 is bottom view thereof;

FIG. 6 is a left side view thereof; and,

FIG. 7 is a right side view thereof.

1 Claim, 3 Drawing Sheets



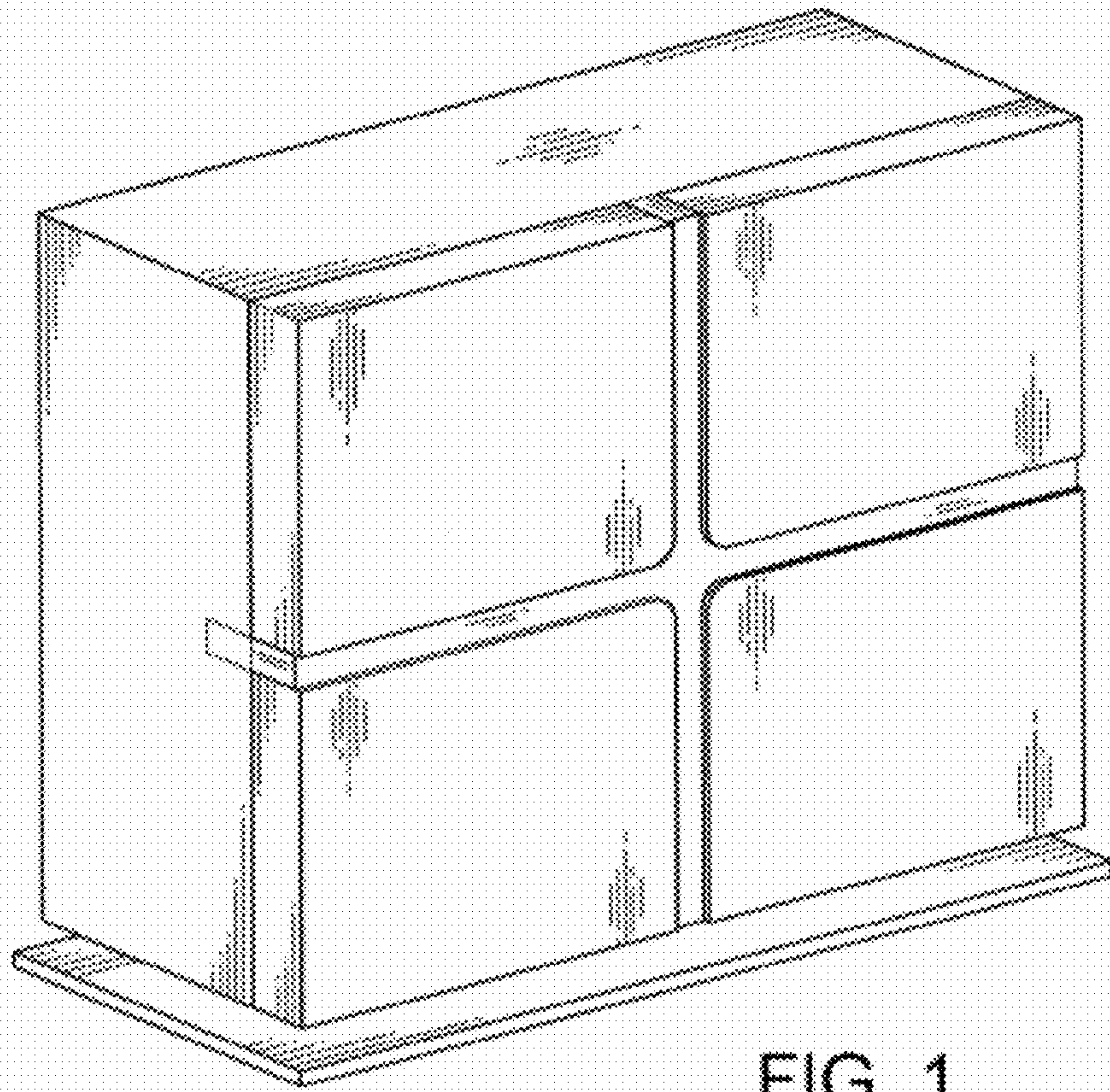


FIG. 1

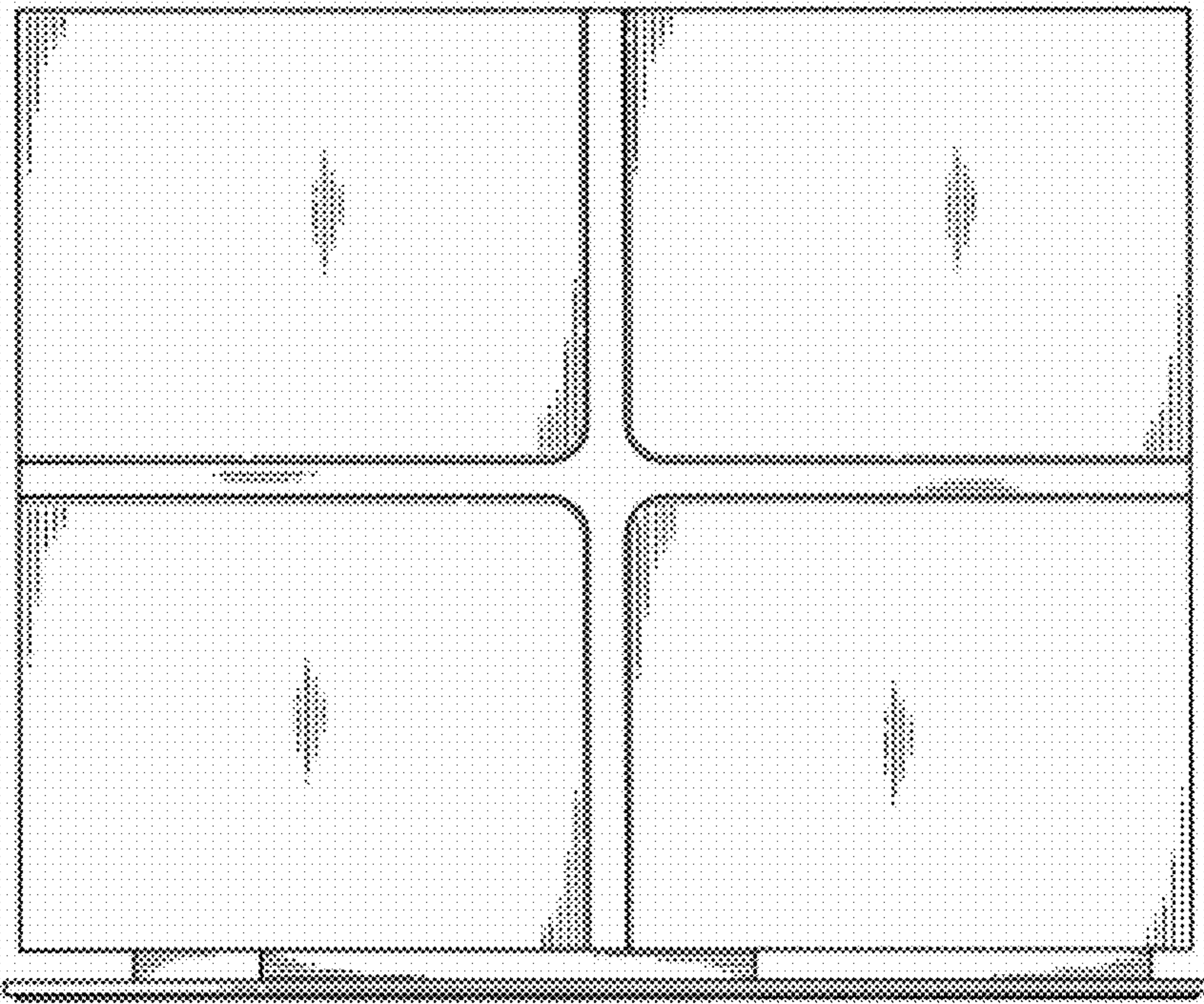


FIG. 2

FIG. 3

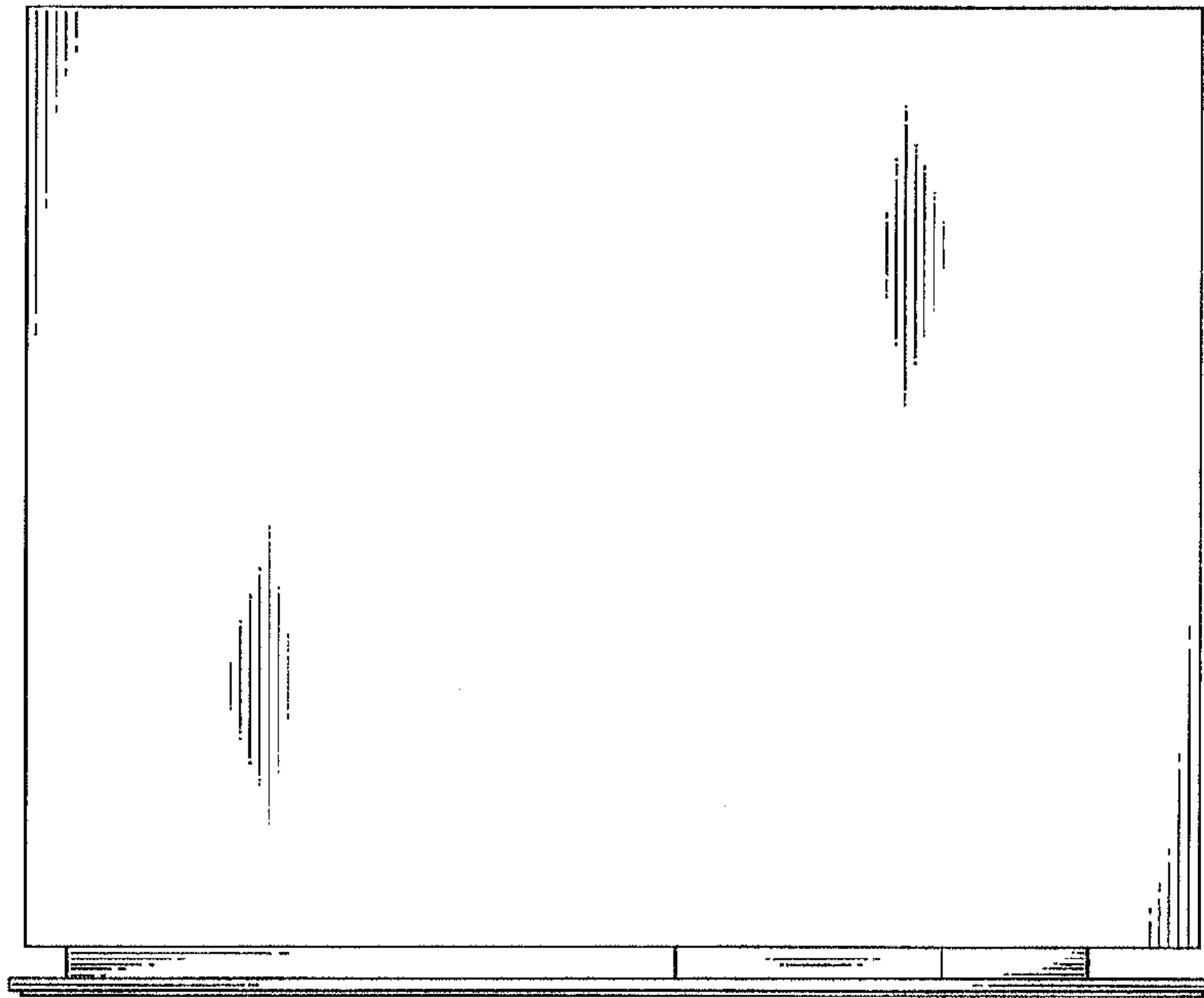


FIG. 4

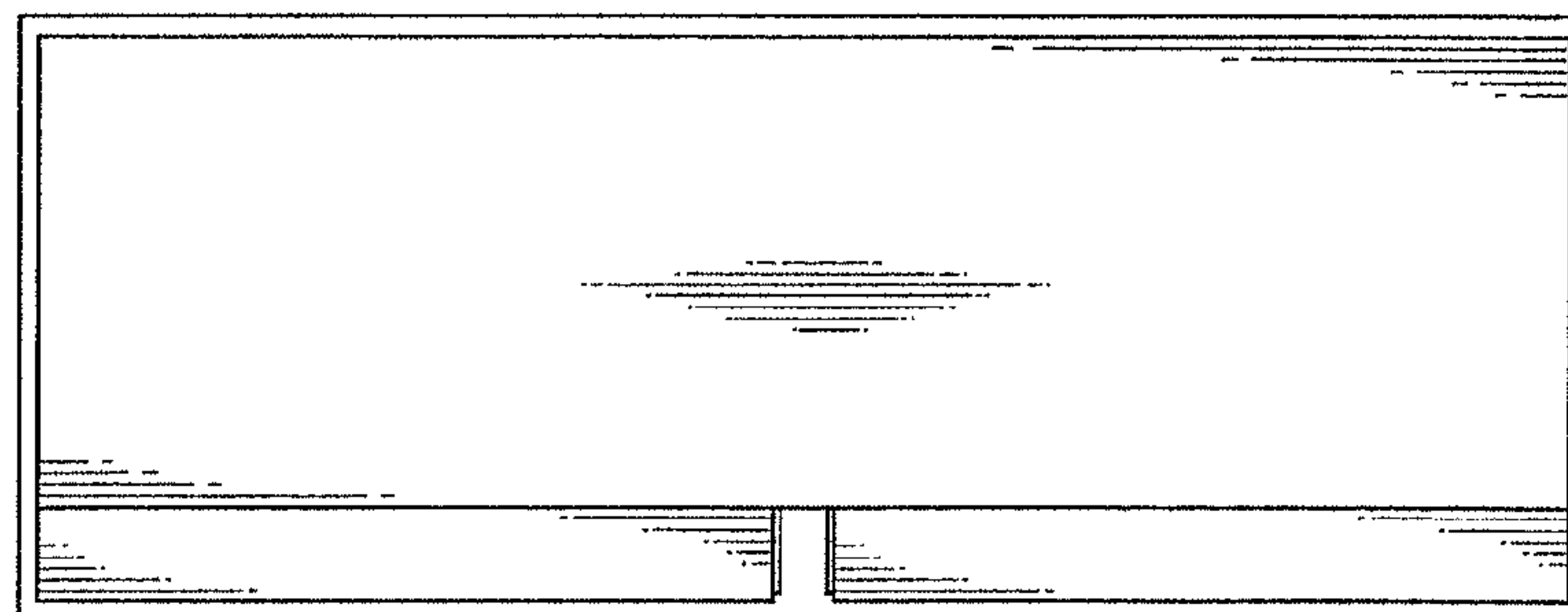


FIG. 5

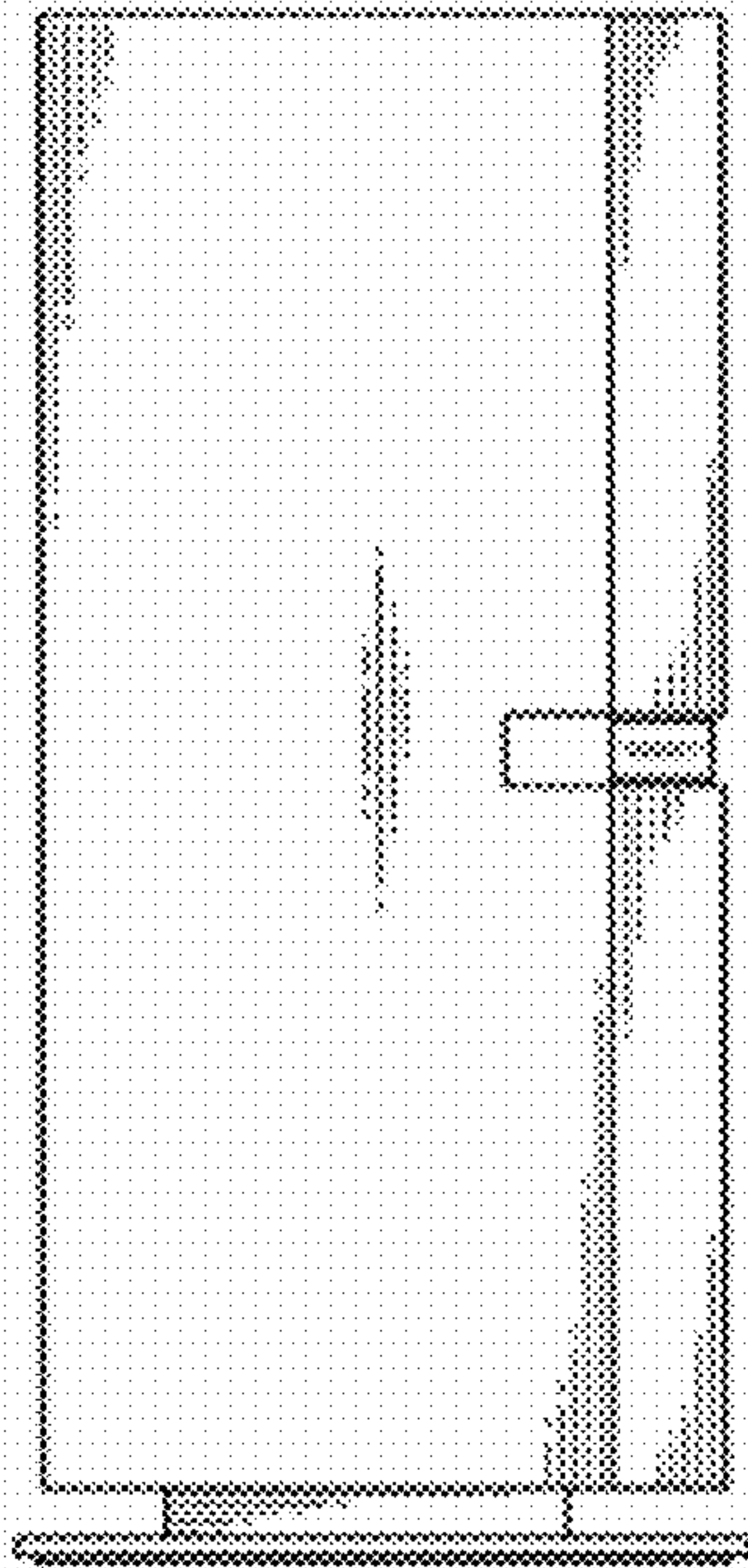
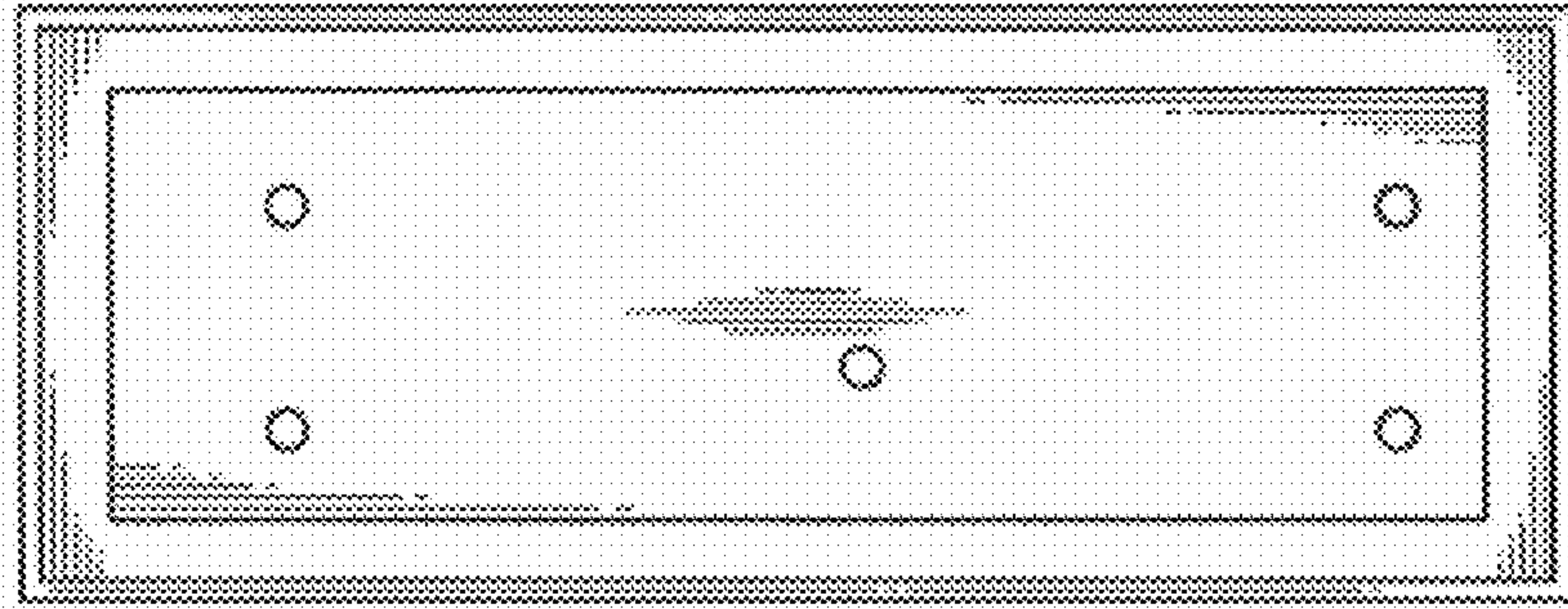


FIG. 6

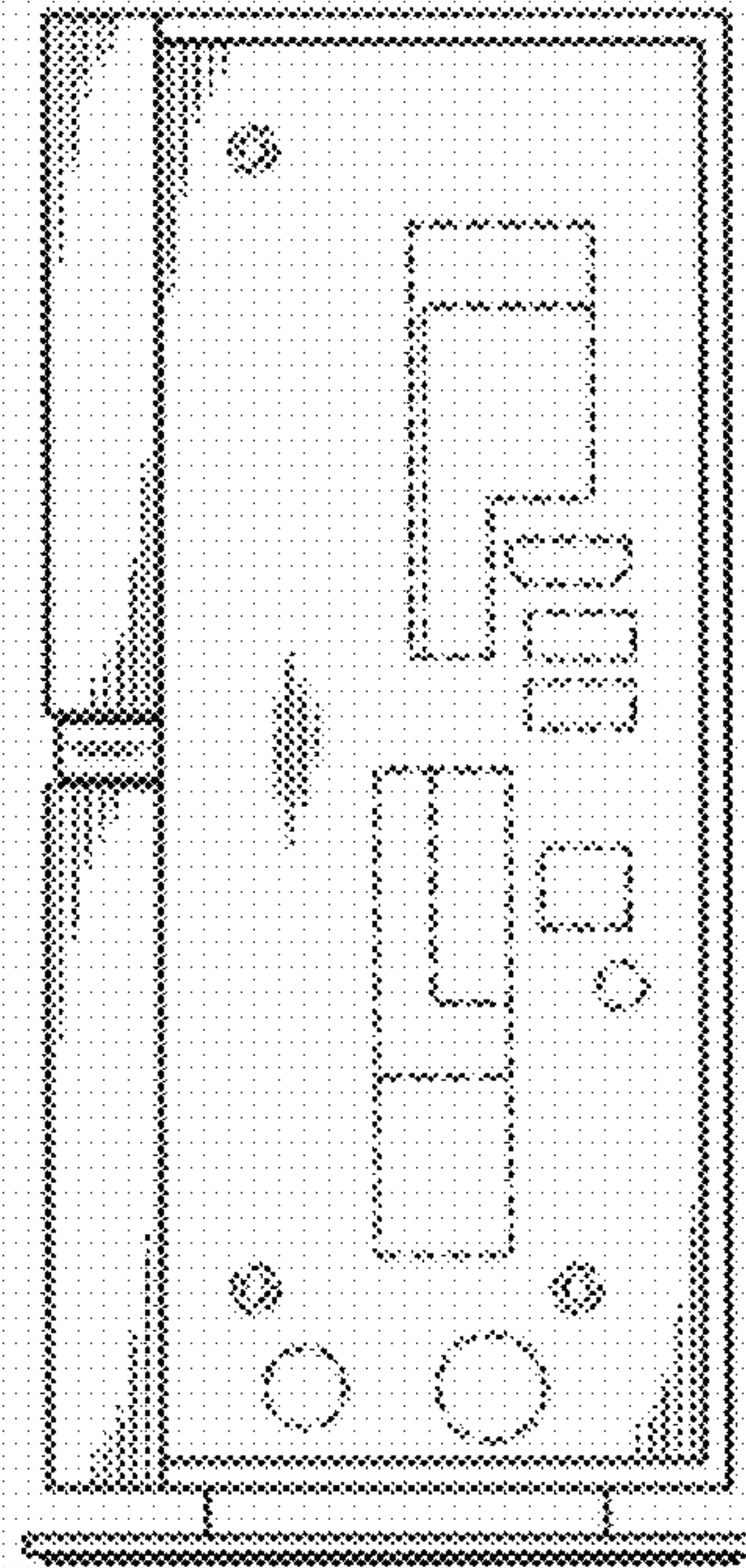


FIG. 7