

US00D671115S

(12) **United States Design Patent**
Phillips et al.

(10) **Patent No.:** **US D671,115 S**

(45) **Date of Patent:** **** Nov. 20, 2012**

(54) **MEDIA GATEWAY, SERVER AND STORAGE DEVICE**

(75) Inventors: **Sheldon George Phillips**, Thousand Oaks, CA (US); **Ben Crosby**, Murphy, TX (US)

(73) Assignee: **Thomson Licensing**, Issy-les-Moulineaux Cedex (FR)

(**) Term: **14 Years**

(21) Appl. No.: **29/382,545**

(22) Filed: **Jan. 5, 2011**

(51) **LOC (9) Cl.** **14-02**

(52) **U.S. Cl.** **D14/356; D14/358; D14/301**

(58) **Field of Classification Search** D14/300-302, D14/313, 314, 341, 348-370, 383, 385, 432, D14/435, 436, 496, 125, 135, 137, 155, 240-242, D14/299; D3/201, 273; D18/56; D10/65, D10/75, 78; D13/103, 149, 162, 184, 199; 361/679.31, 679.33, 679.4, 752; 711/100, 711/115

See application file for complete search history.

(56) **References Cited**

U.S. PATENT DOCUMENTS

D143,335 S * 12/1945 Marienthal D17/24
D174,043 S * 2/1955 Kress D14/361
D193,344 S * 8/1962 Lessner D14/137

D309,727 S * 8/1990 Stead D14/368
D366,243 S * 1/1996 Kurokawa et al. D13/162
7,110,256 B2 * 9/2006 Hasegawa et al. 361/697
7,746,639 B2 * 6/2010 Bopp et al. 361/697

* cited by examiner

Primary Examiner — Karen E Kearney

(74) *Attorney, Agent, or Firm* — Tutunjian & Bitetto, P.C.

(57) **CLAIM**

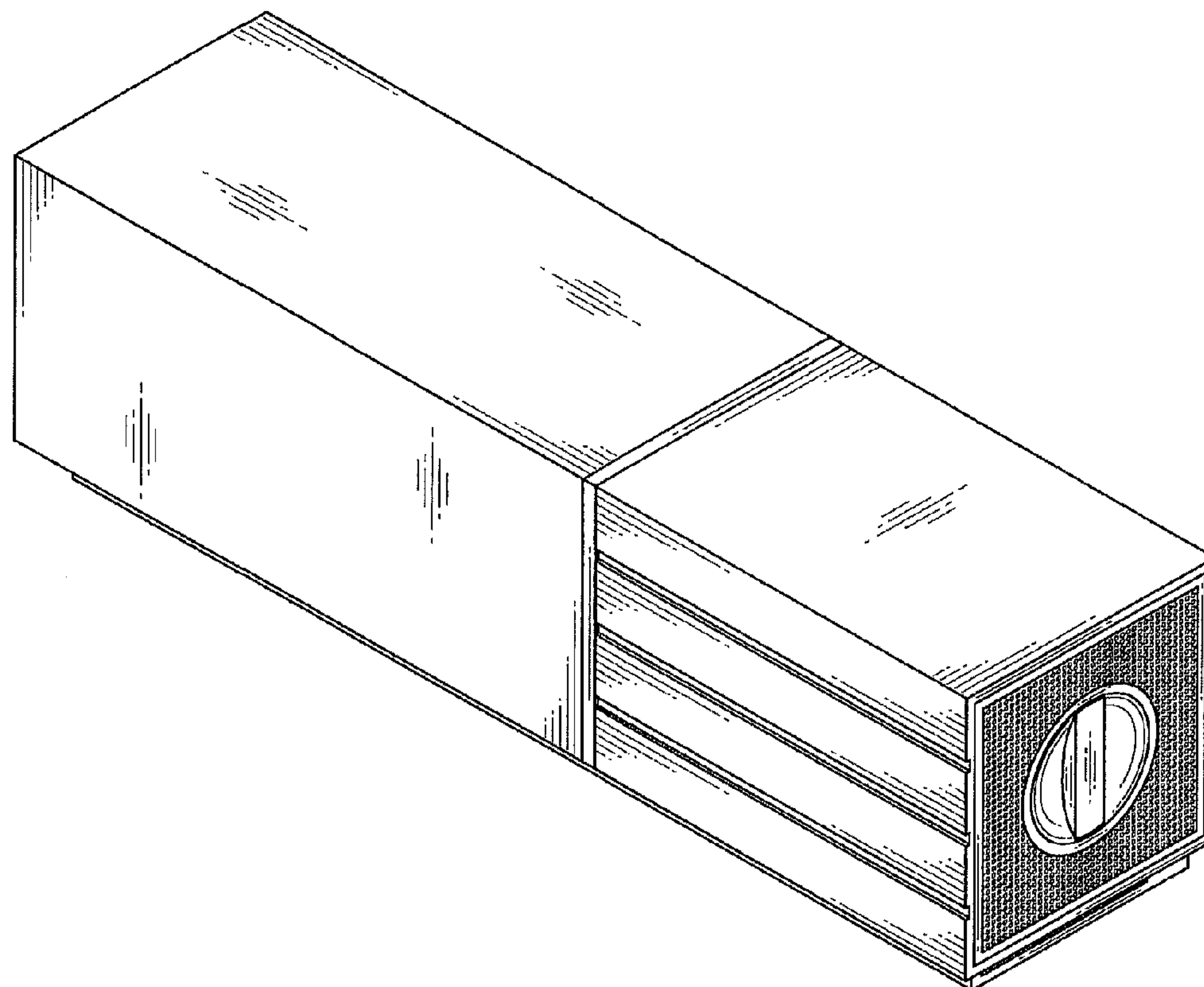
The ornamental design for a media gateway, server and storage device, as shown and described.

DESCRIPTION

FIG. 1 is a front left perspective view of the media gateway, server and storage device showing our new design;
FIG. 2 is a left side view thereof
FIG. 3 is a right side view thereof;
FIG. 4 is a top view thereof;
FIG. 5 is bottom view thereof;
FIG. 6 is a rear view thereof; and,
FIG. 7 is a front view thereof.

The broken lines showing other elements in the Figures are for illustrative purposes only and form no part of the claimed design.

1 Claim, 3 Drawing Sheets



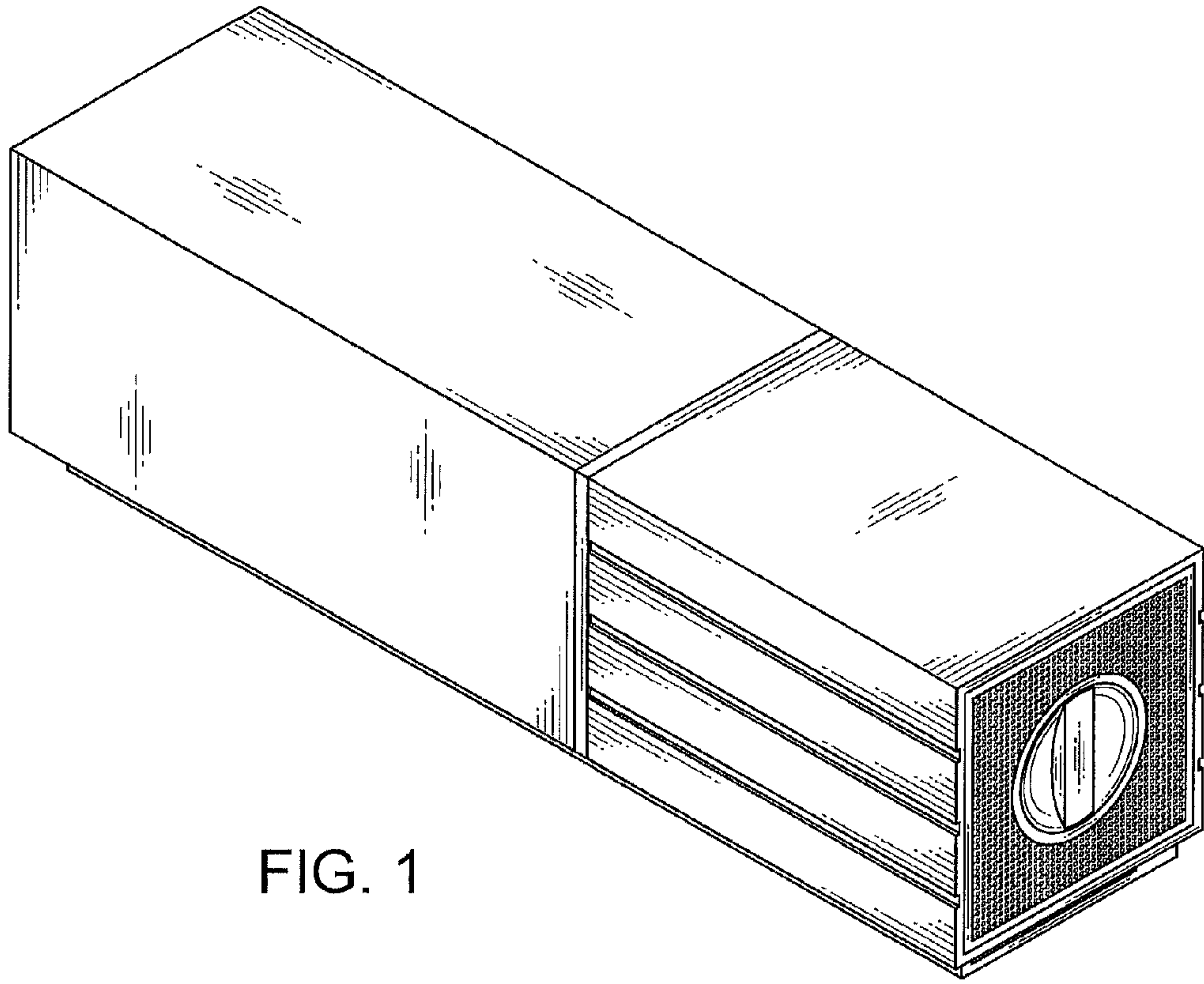


FIG. 1

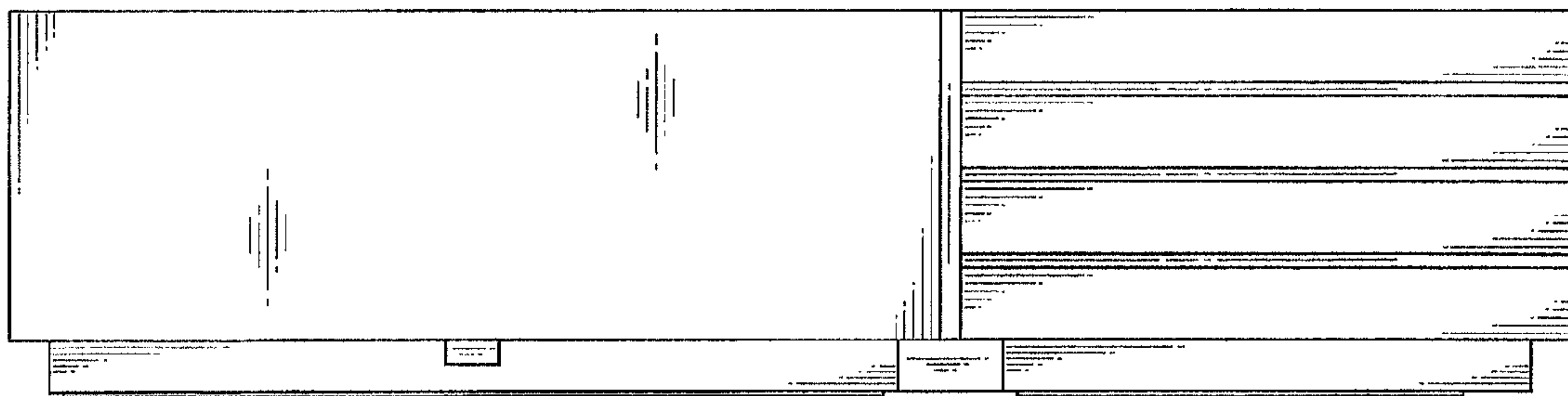


FIG. 2

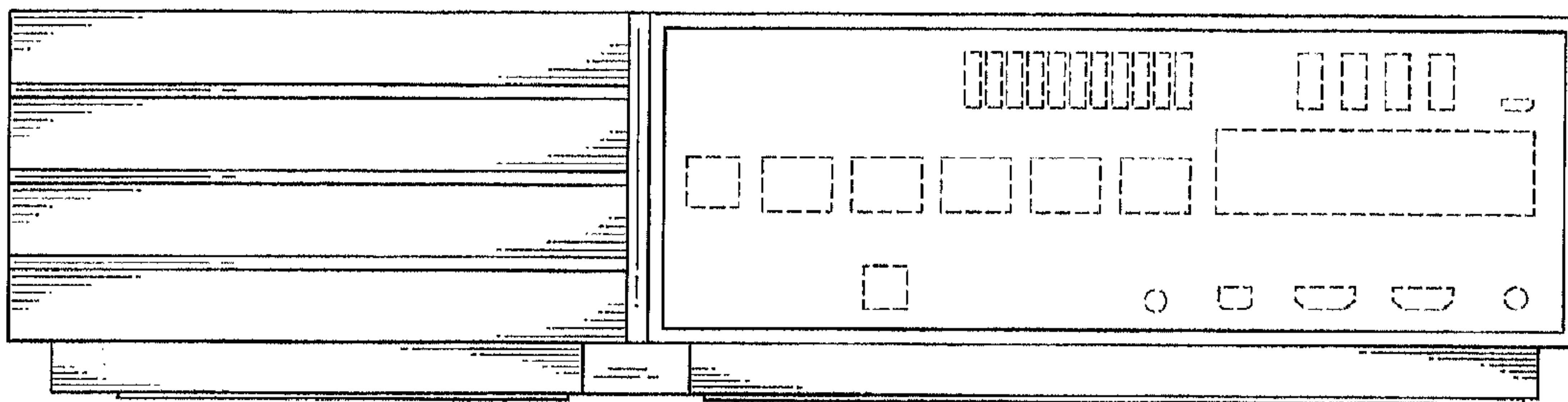


FIG. 3

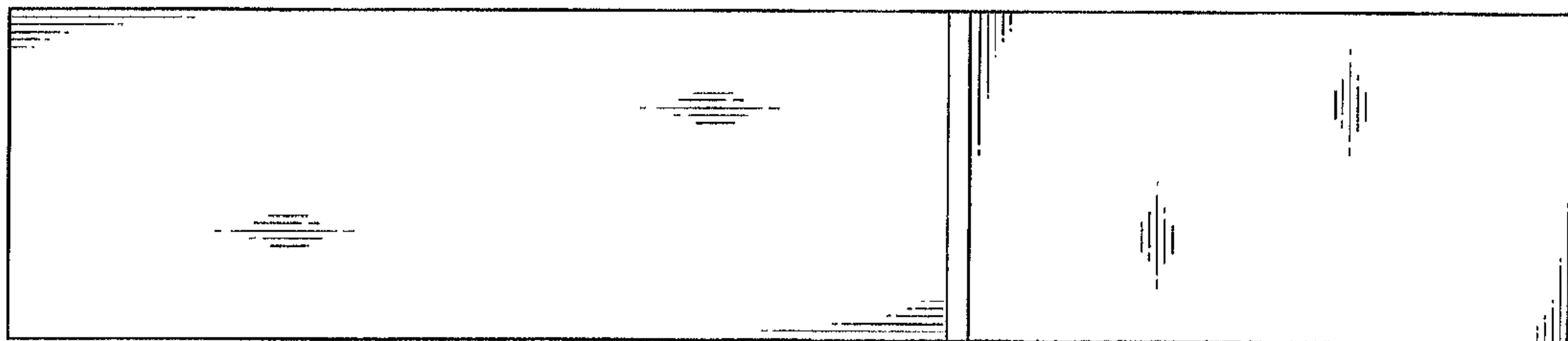


FIG. 4

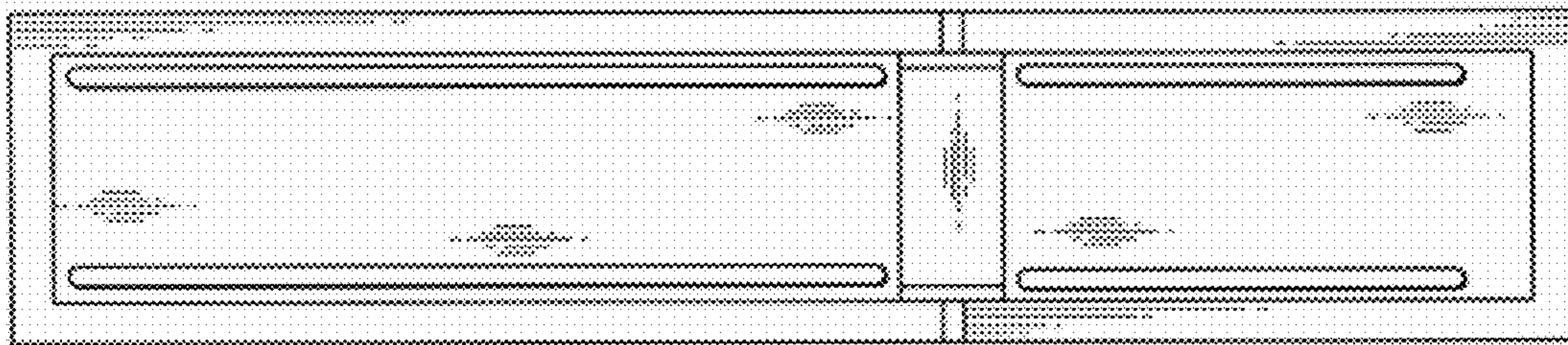


FIG. 5

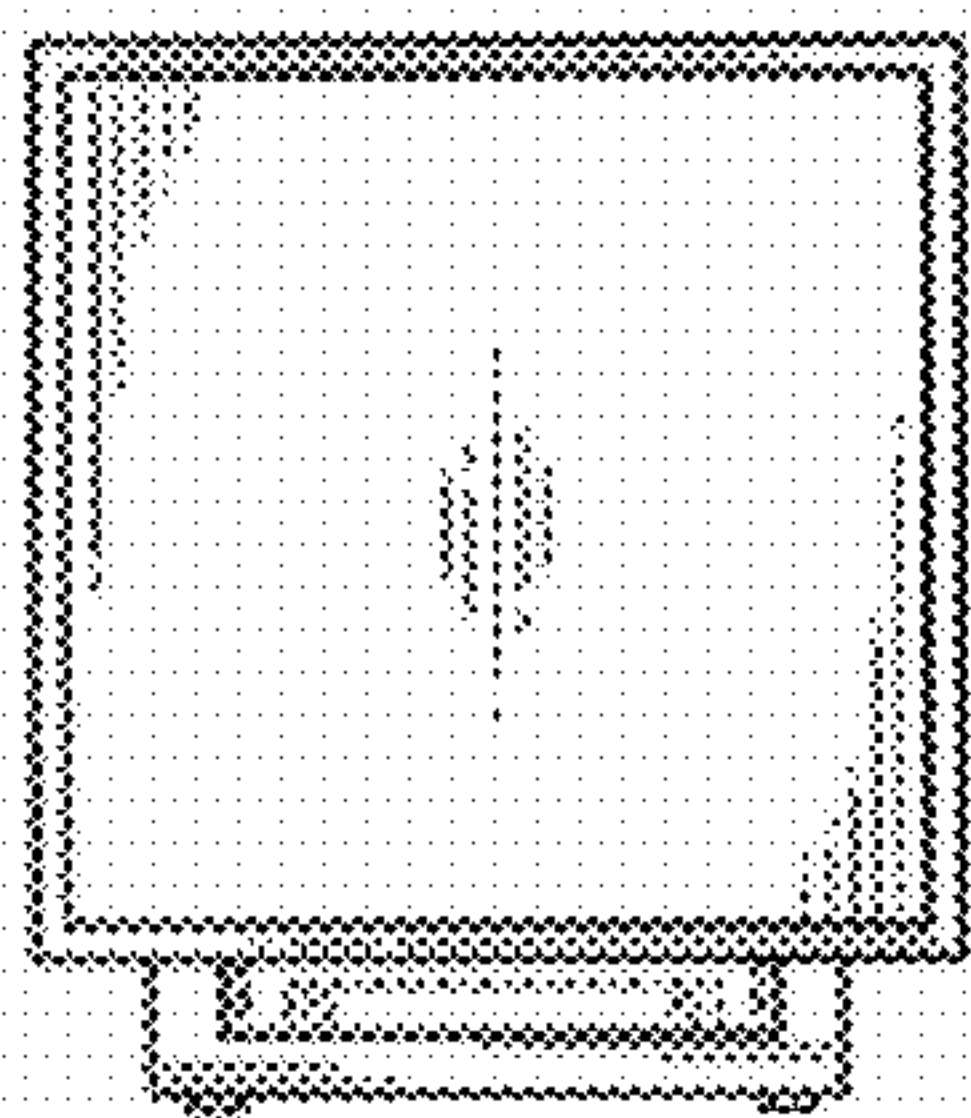


FIG. 6

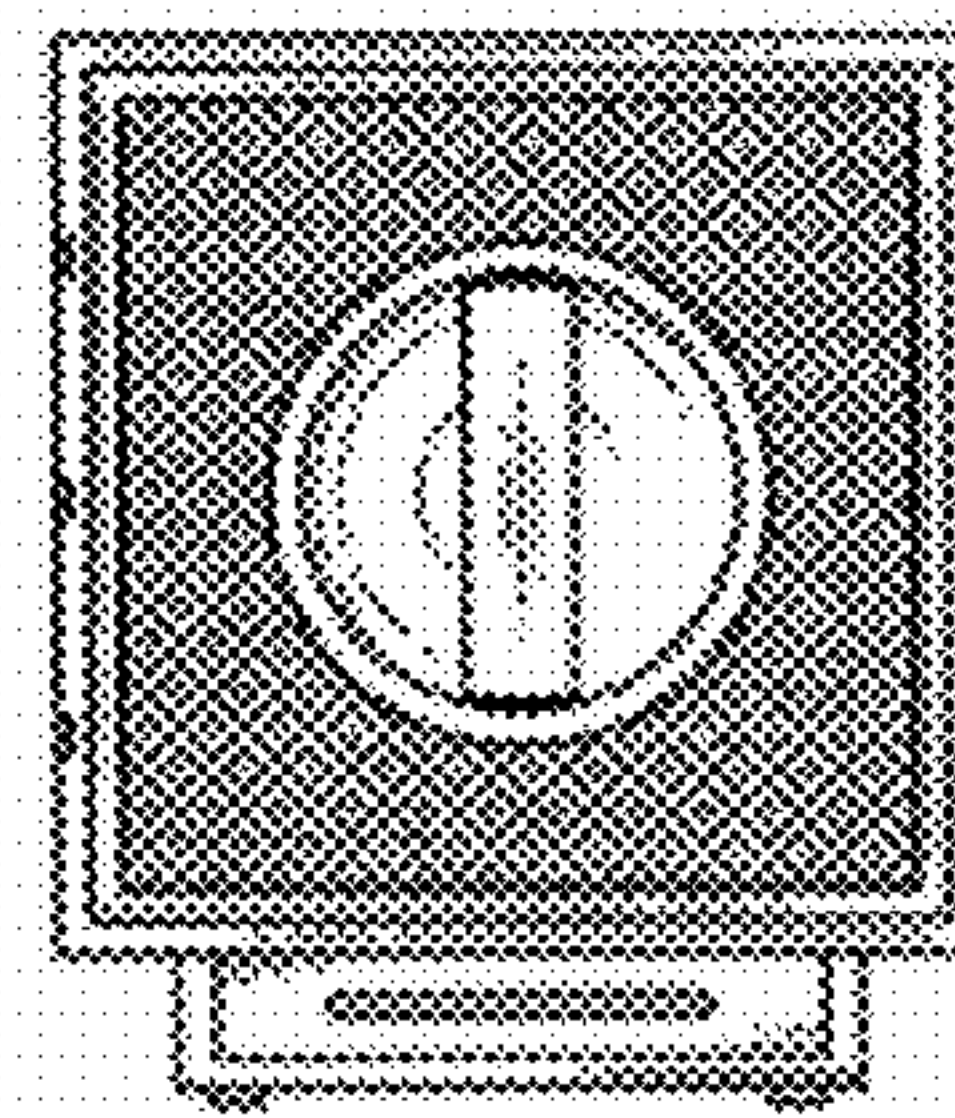


FIG. 7