



US00D671110S

(12) **United States Design Patent**
Choi

(10) **Patent No.:** **US D671,110 S**
(45) **Date of Patent:** **** Nov. 20, 2012**

(54) **CRADLE FOR A MOBILE COMMUNICATION DEVICE**

D646,315 S * 10/2011 Orf D16/242
D650,372 S * 12/2011 Molter D14/239
D652,045 S * 1/2012 Hong D14/447
8,091,843 B2 * 1/2012 Tsai 248/206.2

(76) Inventor: **Se Joong Choi**, Daegu (KR)

(**) Term: **14 Years**

(21) Appl. No.: **29/400,486**

(22) Filed: **Aug. 29, 2011**

(51) **LOC (9) Cl.** **14-03**

(52) **U.S. Cl.** **D14/253**

(58) **Field of Classification Search** D14/140,
D14/142, 147-149, 217, 240, 251-253, 432,
D14/434, 447, 452, 454, 496, 144, 451, 457,
D14/238.1, 239, 250; D8/363, 373; D12/415,
D12/418, 422; 248/206.2-206.4, 220.21,
248/279.1; 379/426, 446, 454, 455; D13/107-108;
D16/242; D21/333; 361/679.3; 320/115;
455/572; D3/218, 201; D6/466

See application file for complete search history.

(56) **References Cited**

U.S. PATENT DOCUMENTS

D161,327 S * 12/1950 Freudenberg D6/466
D332,789 S * 1/1993 Rak D14/251
D358,832 S * 5/1995 Lenney et al. D16/242
D423,821 S * 5/2000 Crump D6/466
D426,985 S * 6/2000 Casalino D6/466
6,220,556 B1 * 4/2001 Sohr et al. 248/279.1
D517,557 S * 3/2006 Brassard D14/434
D522,843 S * 6/2006 Richter D8/363
D549,709 S * 8/2007 Richter D14/447
D552,659 S * 10/2007 Stephens et al. D16/242
D554,042 S * 10/2007 Richter D12/415
D558,769 S * 1/2008 Krieger et al. D14/434
D566,118 S * 4/2008 Brassard D14/434
D567,810 S * 4/2008 Yeh D14/253
7,418,097 B2 * 8/2008 Chang 379/446
D613,524 S * 4/2010 Jeffers D6/466
D614,613 S * 4/2010 Kim et al. D14/253
D624,062 S * 9/2010 Kasuga et al. D14/239

OTHER PUBLICATIONS

New Universal Car Mount Holder Air Vent Holder for Cell Phone MP3 MP4 PDA iPhone 3G 3GS 4G, <URL:http://www.aliexpress.com/product-fm/452115482-New-Universal-Car-Mount-Holder-Air-Vent-Holder-for-Cell-Phone-MP3-MP4-PDA-iPhone-3G-wholesalers.html>, retrieved from internet Jan. 22, 2012.*

Adjustable Suction Car Cell Phone Mount Holder, <URL:http://www.dinodirect.com/mount-holder-cell-phone-car-suctionadjustable.html>, retrieved from internet Jan. 22, 2012.*

* cited by examiner

Primary Examiner — Carla Jobe Wright

(74) *Attorney, Agent, or Firm* — Christopher Paul Mitchell

(57) **CLAIM**

The ornamental design for a cradle for a mobile communication device, as shown and described.

DESCRIPTION

This application is also related to co-pending U.S. patent application Ser. No. 29/400,484, filed Aug. 29, 2011, and entitled "Cradle for a Mobile Communication Device", which is incorporated herein by reference in its entirety.

FIG. 1 is a perspective view of a cradle for a mobile communication device showing my new design;

FIG. 2 is a front view thereof;

FIG. 3 is a rear view thereof;

FIG. 4 is a left side view thereof;

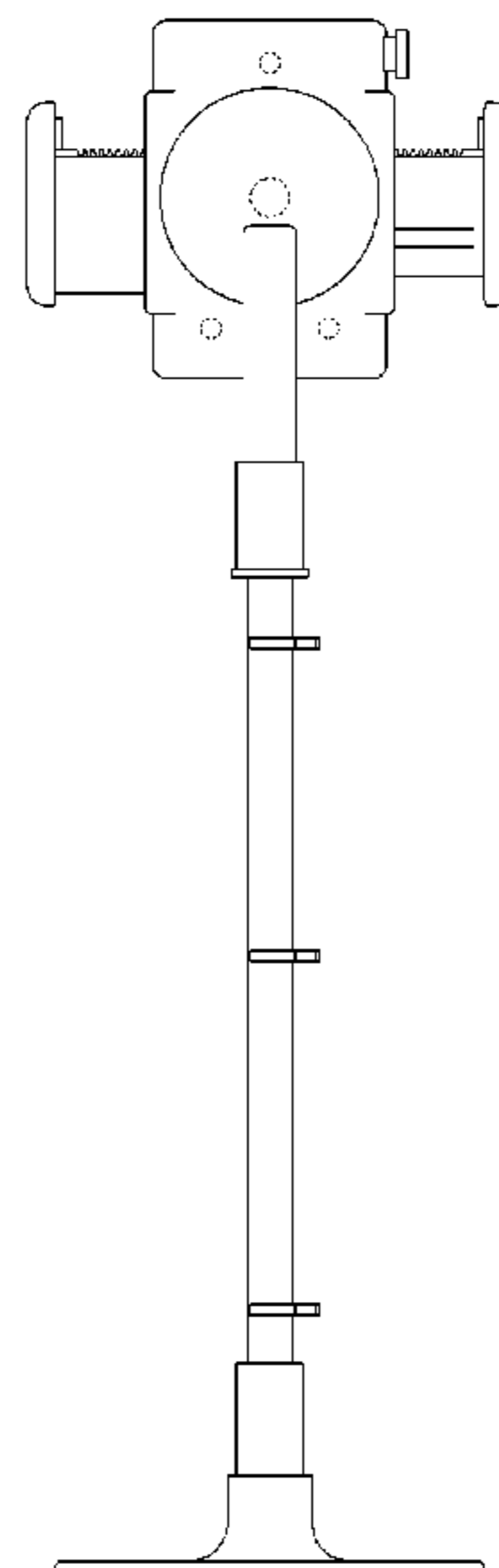
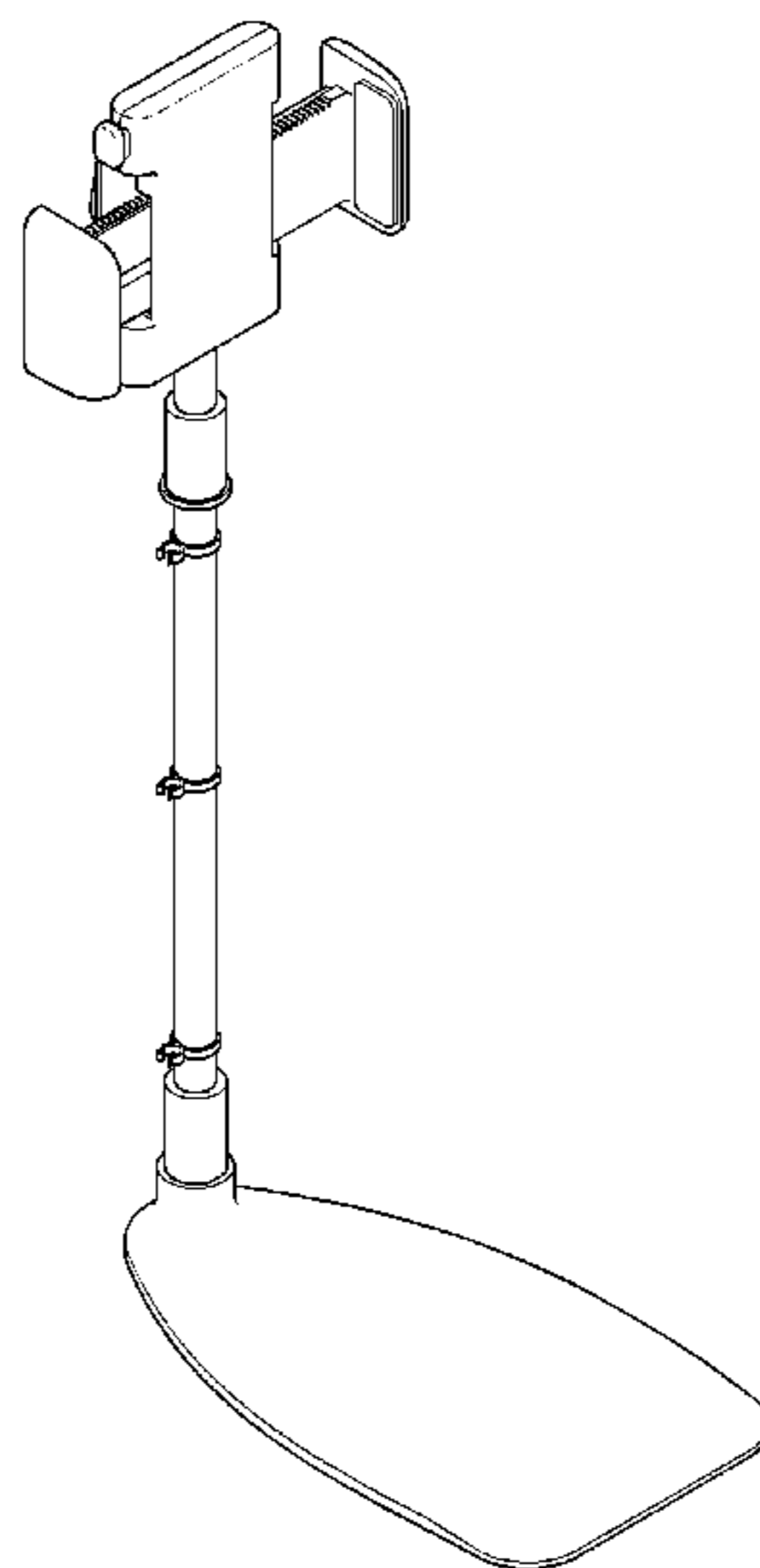
FIG. 5 is a right side view thereof;

FIG. 6 is a top view thereof; and,

FIG. 7 is a bottom view thereof.

In the drawings, the broken lines indicate portions of the cradle for a mobile communication device that form no part of the claimed design.

1 Claim, 6 Drawing Sheets



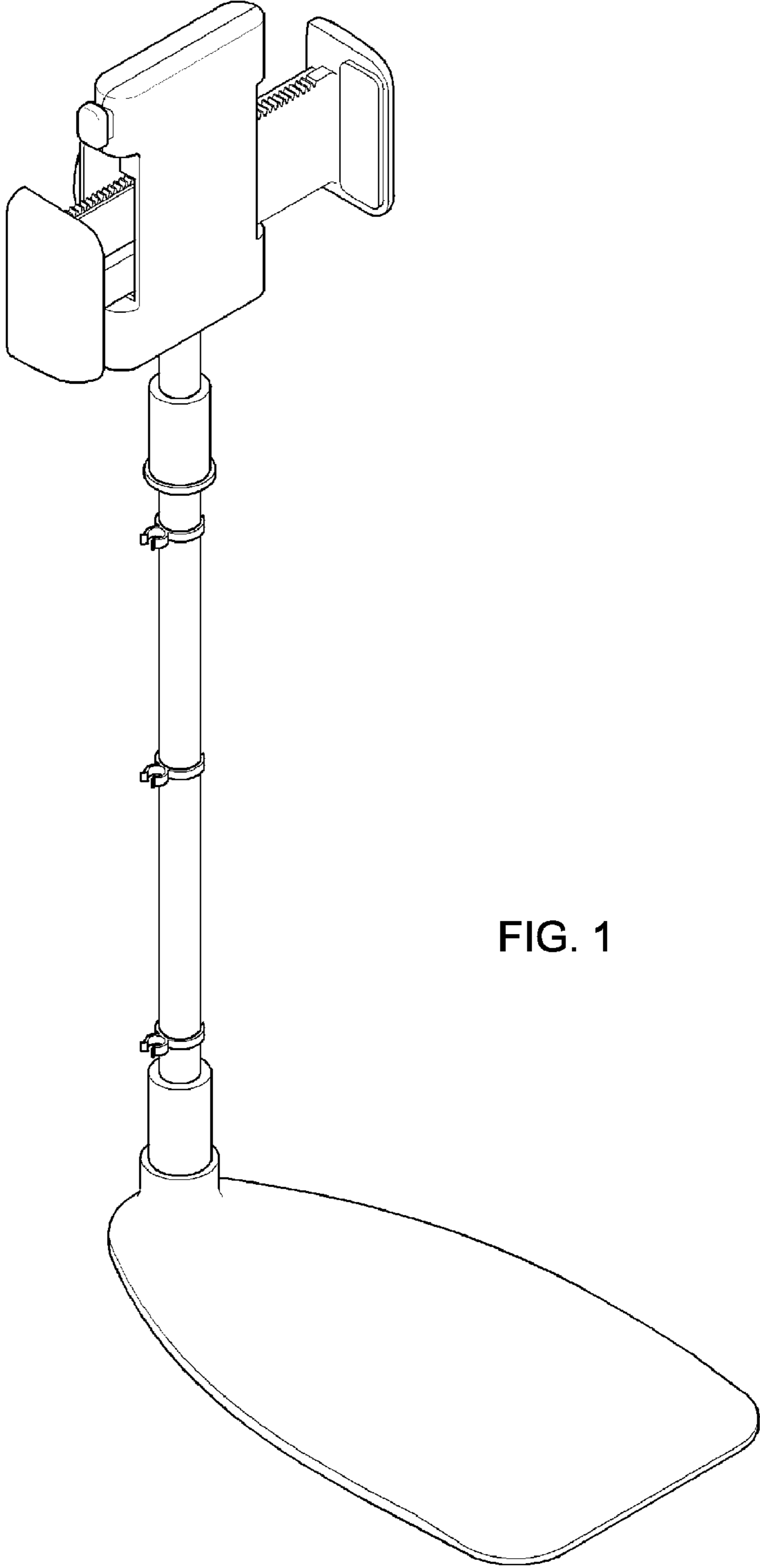


FIG. 1

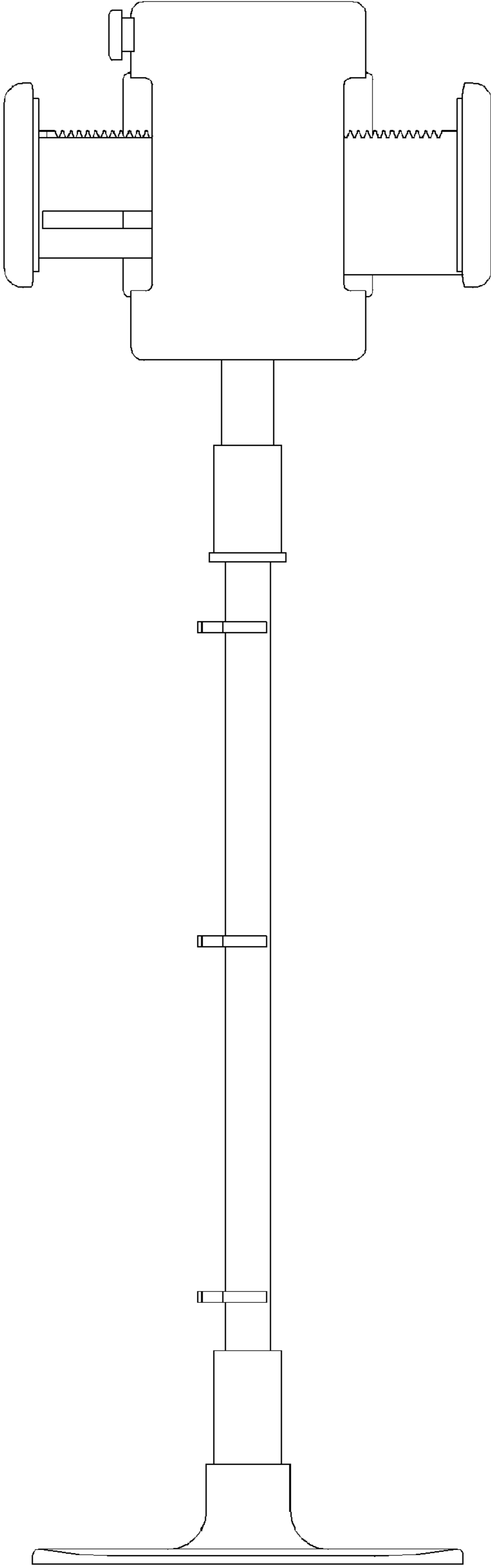


FIG. 2

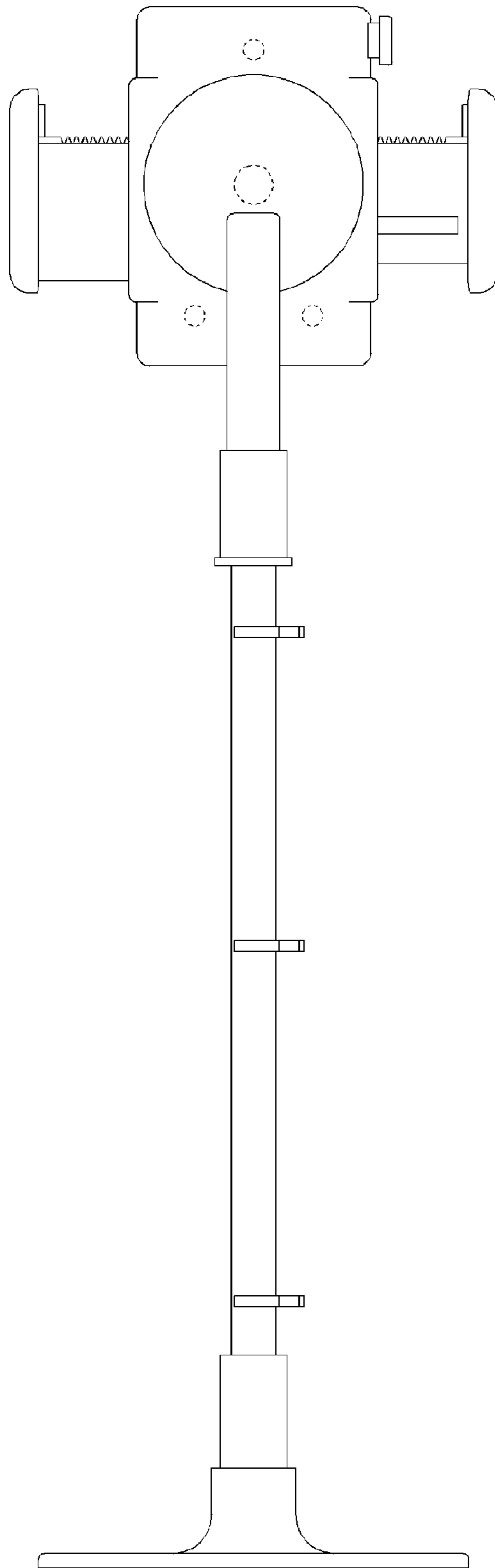


FIG. 3

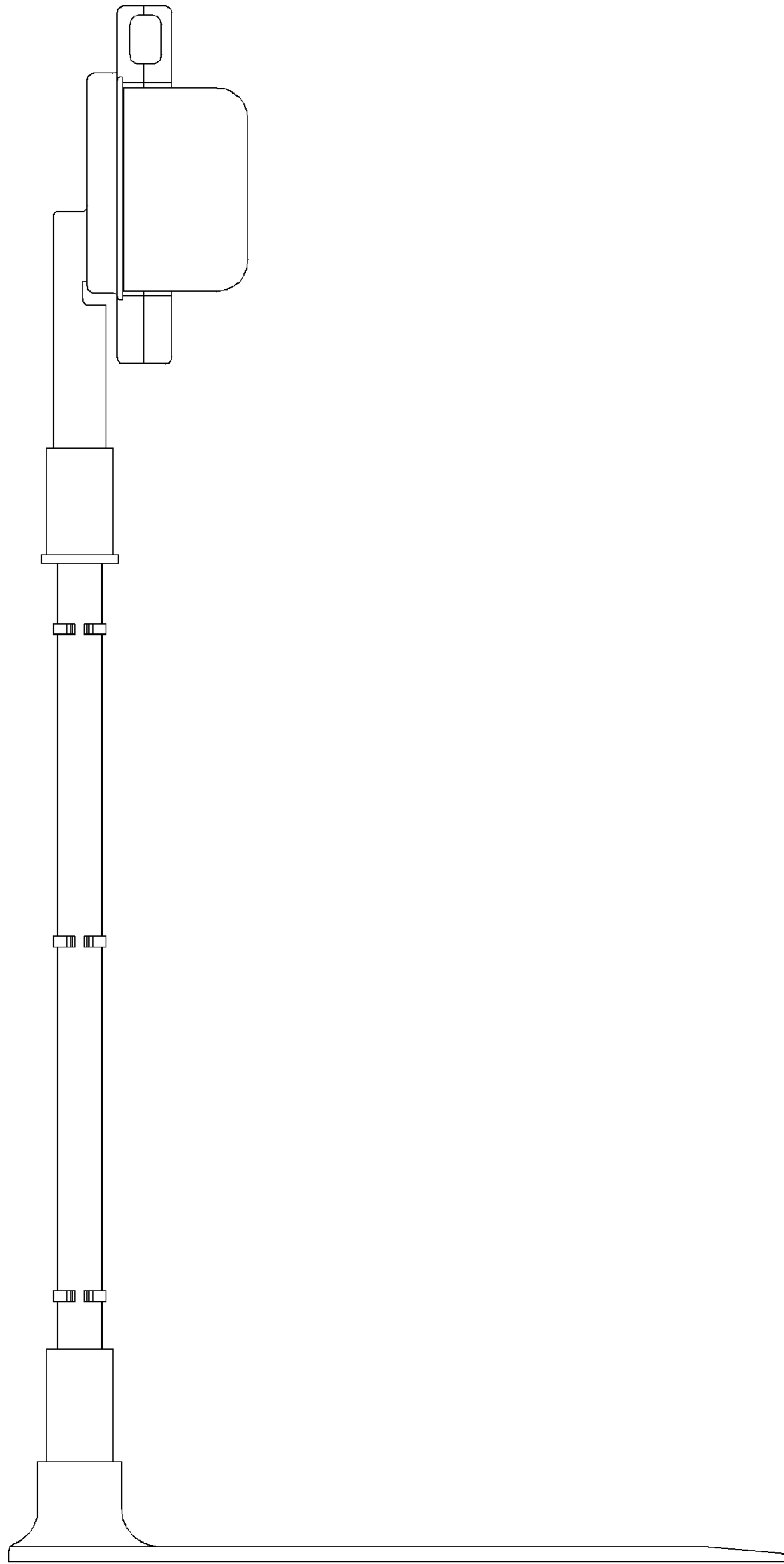


FIG. 4

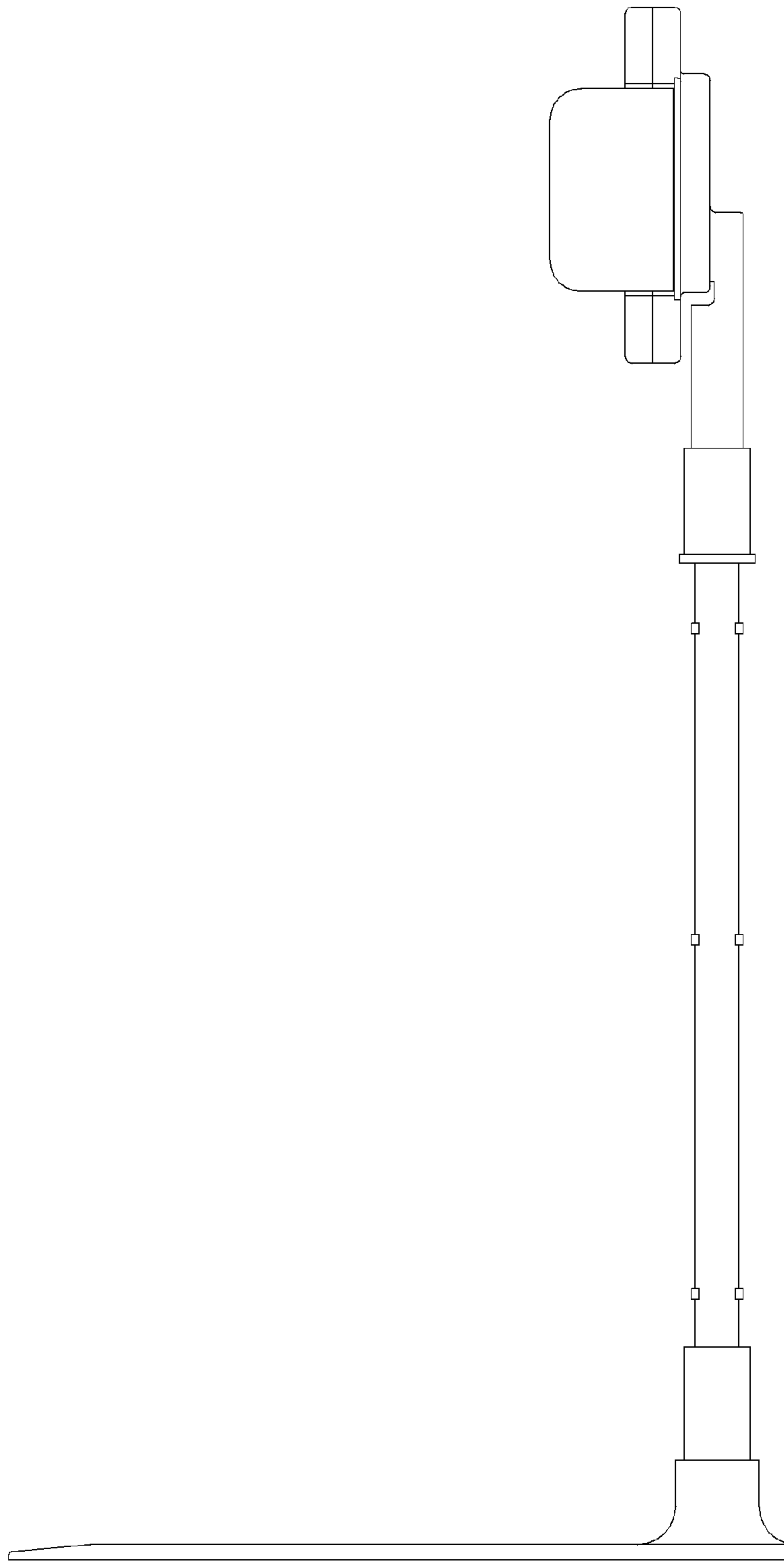


FIG. 5

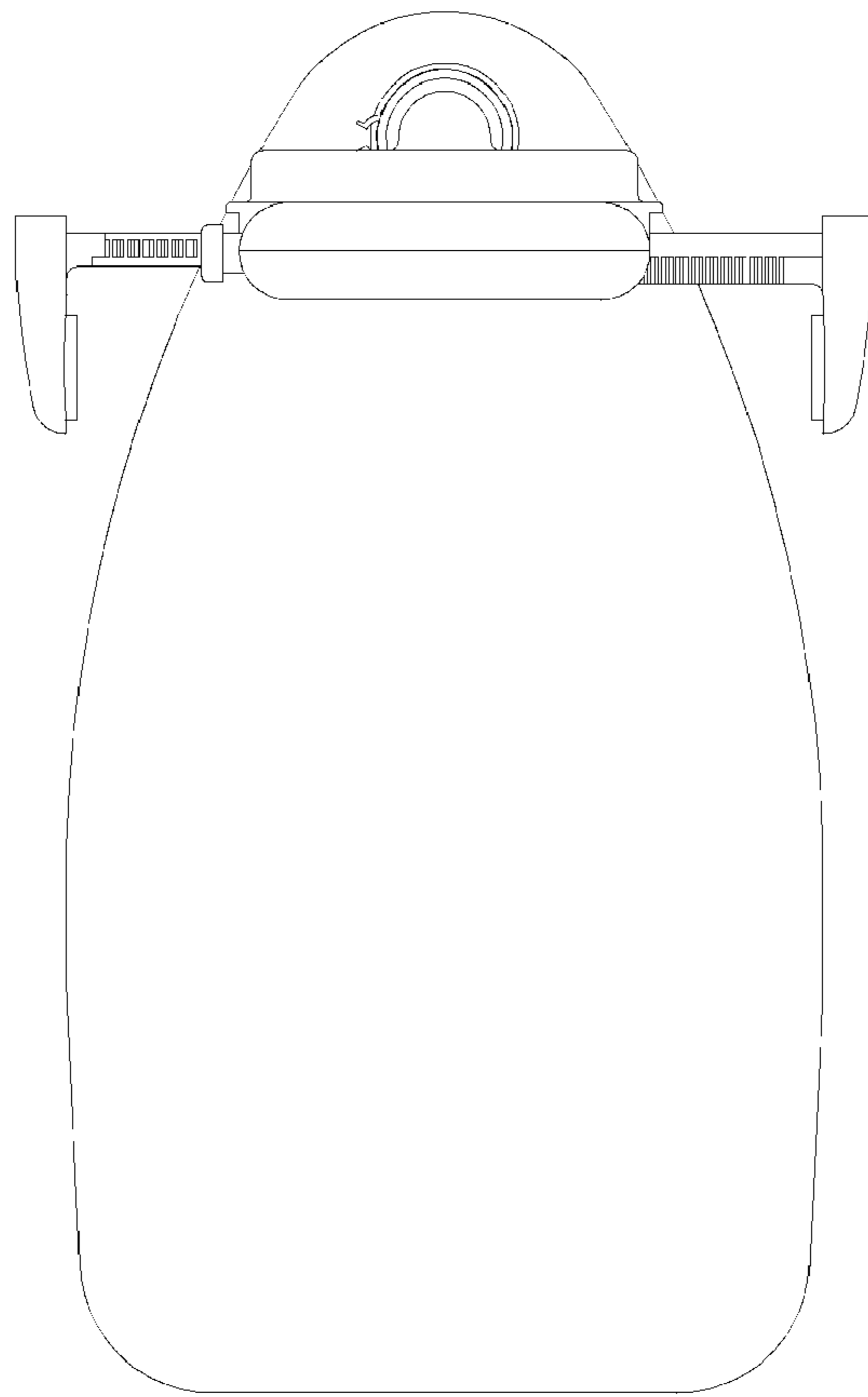


FIG. 6

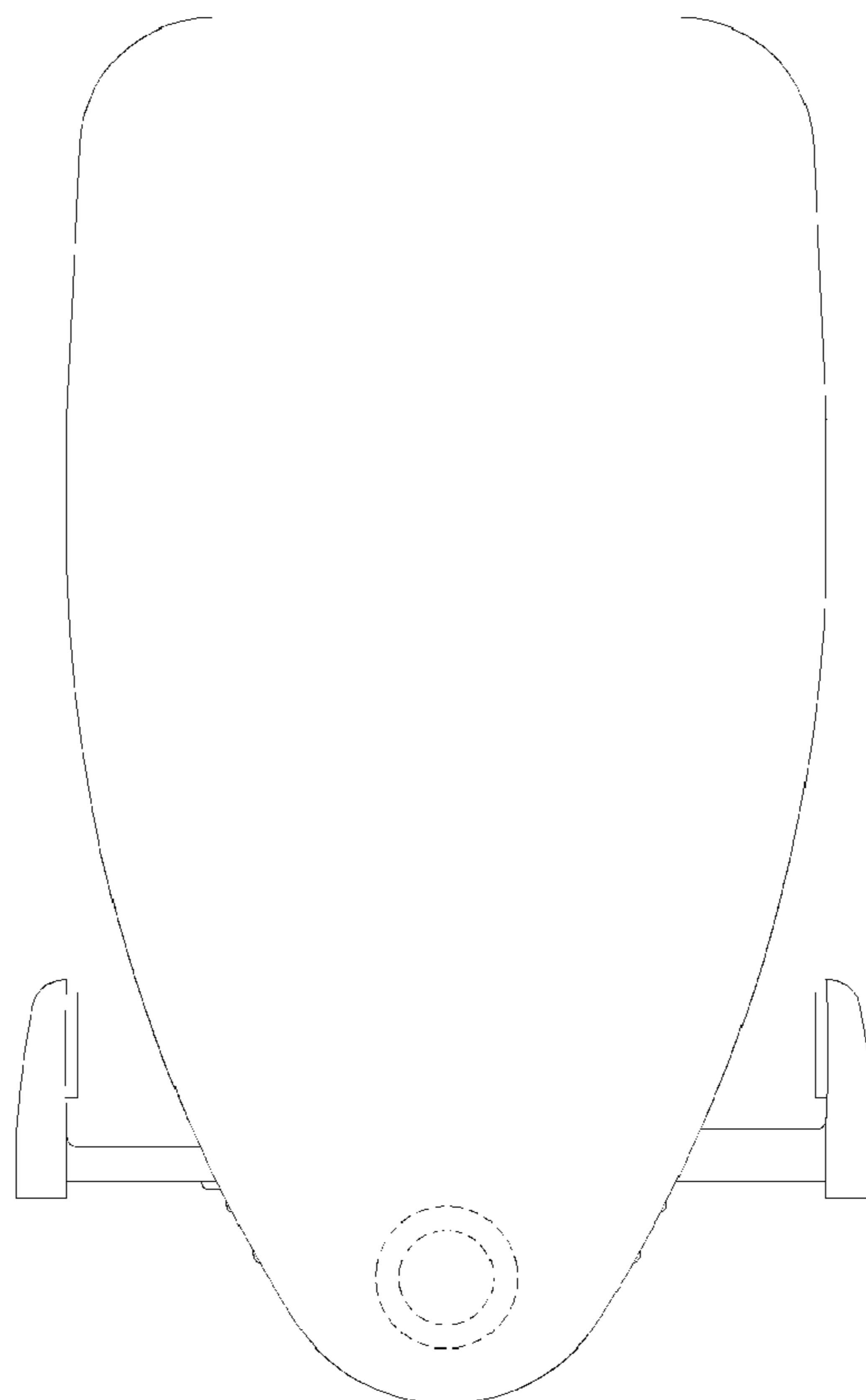


FIG. 7