



US00D671101S

(12) **United States Design Patent**  
**Rothbaum et al.**

(10) **Patent No.:** **US D671,101 S**

(45) **Date of Patent:** **\*\* Nov. 20, 2012**

(54) **CASE WITH METAL BACK AND BAND EDGE FOR A CORD MANAGEMENT SYSTEM**

(75) Inventors: **Wayne Philip Rothbaum**, New York, NY (US); **Allison S. Conner**, Brooklyn, NY (US); **Robert B. Curtis**, New York, NY (US); **Jonas K. Damon**, New York, NY (US); **Daniel A. Sanchez**, Brooklyn, NY (US)

(73) Assignee: **CJD LLC**, New York, NY (US)

(\*\*) Term: **14 Years**

(21) Appl. No.: **29/376,257**

(22) Filed: **Oct. 4, 2010**

(51) **LOC (9) Cl.** ..... **14-03**

(52) **U.S. Cl.** ..... **D14/250**

(58) **Field of Classification Search** ..... D3/201, D3/215, 218, 269, 273, 294; D14/140, 142, D14/203.3, 217, 218, 240, 242, 250-253, D14/299, 358, 440, 450; D13/103, 107, D13/108, 119; 220/4.02; 224/119, 191, 224/240, 241, 245, 682, 683; 248/309.1; 361/679.3, 679.56; 379/454, 455; 455/575.1, 455/575.6, 575.7, 575.8, 575.9; 190/100; 206/305, 320

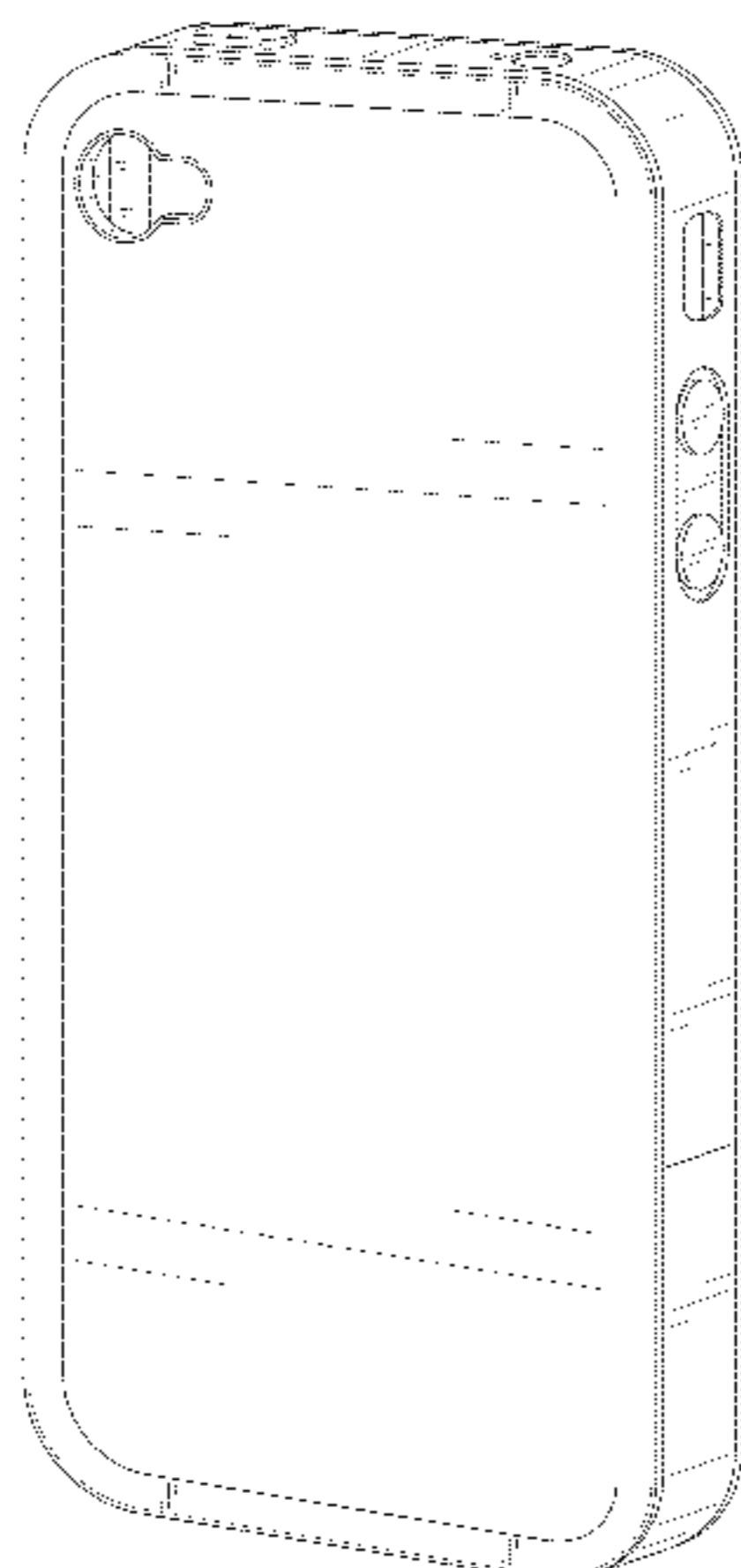
See application file for complete search history.

(56) **References Cited**

**U.S. PATENT DOCUMENTS**

D364,850 S	12/1995	Estrada et al.	
D384,942 S	10/1997	Vinuela	
D396,882 S	8/1998	Neal, Jr.	
D461,477 S	8/2002	Pentz	
D467,247 S	12/2002	Pentz	
D513,617 S	1/2006	Tierney	
D525,986 S	8/2006	Kim	
D539,277 S	3/2007	Okada et al.	
D556,681 S	12/2007	Kim	
D574,819 S	8/2008	Andre et al.	
D575,056 S	8/2008	Tan	D3/218
D581,151 S	11/2008	Aipa	
D582,149 S	12/2008	Tan	D3/218

D582,405 S	12/2008	Andre et al.	D14/250
D584,738 S	1/2009	Kim et al.	
D586,805 S	2/2009	Shi	
D587,267 S	2/2009	Wang	D14/356
D597,515 S	8/2009	Kim	D14/138 AD
D598,887 S	8/2009	Xiao et al.	D14/138 AA
D603,603 S	11/2009	Laine et al.	
7,612,997 B1	11/2009	Diebel et al.	361/679.56
D606,751 S	12/2009	Andre et al.	
D608,772 S	1/2010	Du et al.	
D609,463 S	2/2010	Bullen	
D610,807 S	3/2010	Bau	
D613,722 S	4/2010	Kaneta	D14/138 G
D615,077 S	5/2010	Richardson et al.	D14/250
D615,078 S	5/2010	Bradley	
D615,526 S	5/2010	Andre et al.	
D615,536 S	5/2010	Richardson et al.	
D616,361 S	5/2010	Huang	
D617,784 S	6/2010	Richardson et al.	D14/250
D618,230 S	6/2010	Brown et al.	D14/250
D619,130 S	7/2010	Fellig	
D619,361 S	7/2010	Andre et al.	
D619,574 S	7/2010	Richardson et al.	D14/250
D620,000 S	7/2010	Bau	
D621,821 S	8/2010	Richardson et al.	
D622,716 S	8/2010	Andre et al.	D14/250
7,782,610 B2	8/2010	Diebel et al.	361/679.56
D623,180 S	9/2010	Diebel	D14/250
D623,640 S	9/2010	Freeman	D14/250
D624,064 S	9/2010	Esposito	D14/250
D624,065 S	9/2010	Bosch et al.	
D624,304 S	9/2010	Danze et al.	
D624,532 S	9/2010	Huskinson	D14/250
D624,533 S	9/2010	Richardson et al.	D14/250
D624,908 S	10/2010	Huskinson	D14/250
D624,909 S	10/2010	Huskinson	D14/250
D626,119 S	10/2010	Fellig	D14/250
D626,538 S	11/2010	Brown et al.	
D626,539 S	11/2010	Brown et al.	
D626,746 S	11/2010	Roman	
D626,936 S	11/2010	Yeo et al.	
D627,755 S	11/2010	Yang	
D627,771 S	11/2010	Smith et al.	
D627,778 S	11/2010	Akana et al.	
D628,374 S	12/2010	Lee et al.	
D628,994 S	12/2010	Griffin, Jr. et al.	
D629,786 S	12/2010	Andre et al.	
D630,614 S	1/2011	Lee	
D633,885 S	3/2011	Kim	
D637,590 S	5/2011	Michie et al.	
D637,592 S	5/2011	Magness et al.	
D638,005 S	5/2011	Richardson et al.	
D638,006 S	5/2011	Chang	



D640,246 S	6/2011	Liu et al.	
D641,345 S	7/2011	Gonzalez	
D642,169 S	7/2011	Andre et al.	
D642,170 S	7/2011	Johnson et al.	
D643,029 S	8/2011	Feng	
D647,519 S *	10/2011	Rothbaum et al.	D14/250
2002/0073516 A1	6/2002	Behar	24/306
2007/0023559 A1	2/2007	Scapillato et al.	242/400.1
2007/0099681 A1	5/2007	Kielland	455/575.1
2007/0165371 A1	7/2007	Brandenburg	361/683
2009/0114556 A1	5/2009	Tai et al.	
2010/0203931 A1	8/2010	Hynecek et al.	
2010/0300909 A1	12/2010	Hung	

OTHER PUBLICATIONS

Apple iPhone 4 Bumper—White, Apple Store, <http://store.apple.com/us/product/MC668ZM/B>, 2010, 2 pages.

[gizmodo.com](http://gizmodo.com), *Metal iPhone 4 Cover Protects Your iPhone 4 Without the Bulk of a Case*, [gizmodo.com/5666388/metal-iphone-4-cover-protects-your-iphon](http://gizmodo.com/5666388/metal-iphone-4-cover-protects-your-iphon) . . . downloaded Oct. 22, 2010, 2 pages.

Whitson, G., “Gizmodo, Metal iPhone 4 Cover Protects Your iPhone 4 Without the Bulk of a Case,” <http://lifesacker.com>, Oct. 18, 2010, 1 page.

Whitson, G., “Metal iPhone 4 Cover Protects Your iPhone 4 Without the Bulk of a Case,” <http://lifesacker.com/5666069/metal-iphone-4-cover-protects-your-iphone-4-without-the-bulk-of-a-case>, Oct. 17, 2010, 3 pages.

Guy, N., “2012 iPhone + iPod Buyers’ Guide, Apple iPhone 4 Bumpers,” <http://www.ilouonge.com/index.php/reviews/entry/apple-iphone-4-bumper>, Mar. 9, 2011, 16 pages.

Wayne Philip Rothbaum, U.S. Appl. No. 29/375,648, filed Sep. 24, 2010, Notice of Allowance and Fees Due, Date Mailed Jul. 18, 2011, 2 pages.

Wayne Philip Rothbaum, U.S. Appl. No. 29/385,172, filed Feb. 9, 2011, Final Office Action, Notification Date Sep. 6, 2011, 11 pages.

Wayne Philip Rothbaum, U.S. Appl. No. 29/385,174, filed Feb. 9, 2011, Office Action, Notification Date Sep. 2, 2011, 13 pages.

Replacement Polished Stainless Steel Back Cover w/ Metal Tabs for Apple iPhone 4, <http://cnn.cnshop/replacement-polished-stainless-steel-back-cover-metal-tabs-apple-iphone-4-hexagonal>, retrieved Jul. 1, 2011, 2 pages.

\* cited by examiner

*Primary Examiner* — Raphael Barkai  
*Assistant Examiner* — Randall Gholson  
 (74) *Attorney, Agent, or Firm* — Morgan, Lewis & Bockius LLP

(57) **CLAIM**  
 The ornamental design for a case with metal back and band edge for a cord management system, as shown and described.

**DESCRIPTION**

The present application relates to U.S. design patent application Ser. No. 29/376,428 filed Oct. 6, 2010, entitled Case with Metal Back and Band Edge for a Cord Management System, and to U.S. design patent application Ser. No. 29/376,430 filed Oct. 6, 2010, entitled Case with Metal Back and Band Edge for a Cord Management System. The present application also relates to U.S. design patent application Ser. No. 29/375,648, entitled Case with Metal Back for a Cord Man-

agement System, filed Sep. 24, 2010, and to U.S. design patent application Ser. No. 29/375,649 filed Sep. 24, 2010, entitled Case with Metal Back for a Cord Management System, and to U.S. design patent application Ser. No. 29/375,651 filed Sep. 24, 2010, entitled Case with Metal Back for a Cord Management System, and to U.S. design patent application Ser. No. 29/376,041 filed Sep. 30, 2010, entitled Case with Metal Back for a Cord Management System, the disclosures of which are all incorporated herein by reference in their entirety.

FIG. 1 is a back perspective view of our new design of a case with metal back and band edge for a cord management system;

FIG. 2 is a back perspective view of another embodiment of our new design of a case with metal back and band edge for a cord management system;

FIG. 3 is a back perspective view of yet another embodiment of our new design of a case with metal back and band edge for a cord management system;

FIG. 4 is a first side view of the embodiments of FIGS. 1-3;

FIG. 5 is a second side view of the embodiment of FIG. 1;

FIG. 6 is a second side view of the embodiment of FIG. 2;

FIG. 7 is a second side view of the embodiment of FIG. 3;

FIG. 8 is a top side view of the embodiments of FIGS. 1 and 2;

FIG. 9 is a top side view of the embodiment of FIG. 3;

FIG. 10 is a bottom side view of the embodiments of FIGS. 1 and 2;

FIG. 11 is a bottom side view of the embodiment of FIG. 3;

FIG. 12 is a back view of the embodiments of FIGS. 1 and 2;

FIG. 13 is a back view of the embodiment of FIG. 3;

FIG. 14 is a front perspective view of any of the embodiments of FIGS. 1-3, provided for illustrative purposes;

FIG. 15 is a front view of the embodiments of FIGS. 1 and 2;

FIG. 16 is a front view of the embodiment of FIG. 3;

FIG. 17 is a front perspective view of any of the embodiments of FIGS. 1-3, illustrating these embodiments used in conjunction with an object;

FIG. 18 is a back perspective view of any of the embodiments of FIGS. 1-3, illustrating these embodiments used in conjunction with two objects;

FIG. 19 is a back perspective view of any of the embodiments of FIGS. 1-3, illustrating these embodiments used in conjunction with three objects;

FIG. 20 is another back perspective view of any of the embodiments of FIGS. 1-3, illustrating these embodiments used in conjunction with three objects;

FIG. 21 is an exploded back perspective view of the embodiment of FIG. 1;

FIG. 22 is an exploded back perspective view of the embodiment of FIG. 2; and,

FIG. 23 is an exploded back perspective view of the embodiment of FIG. 3.

The broken lines showing elements of the case with metal back and band edge for a cord management system in the above described Figures are for illustrative purposes only and form no part of the claimed design.

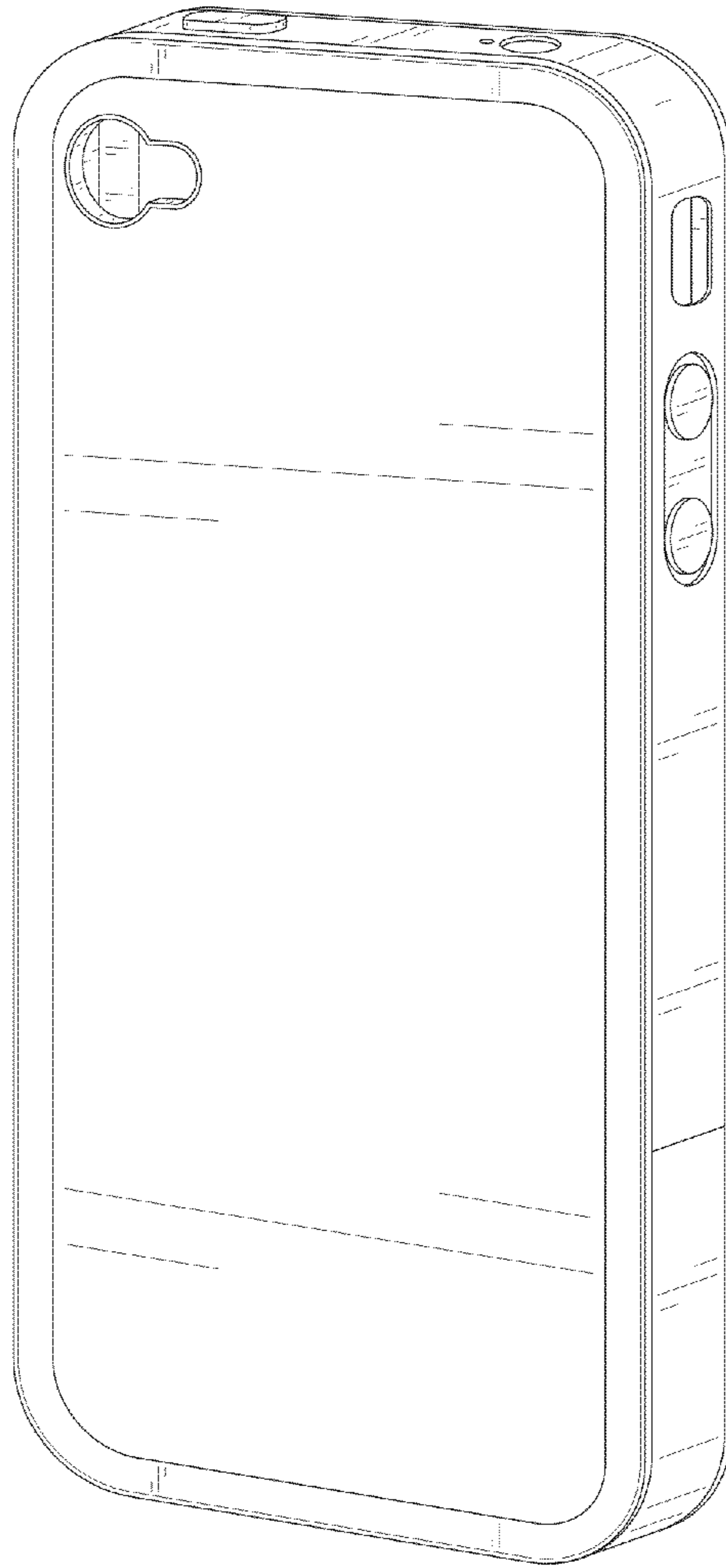


FIG. 1

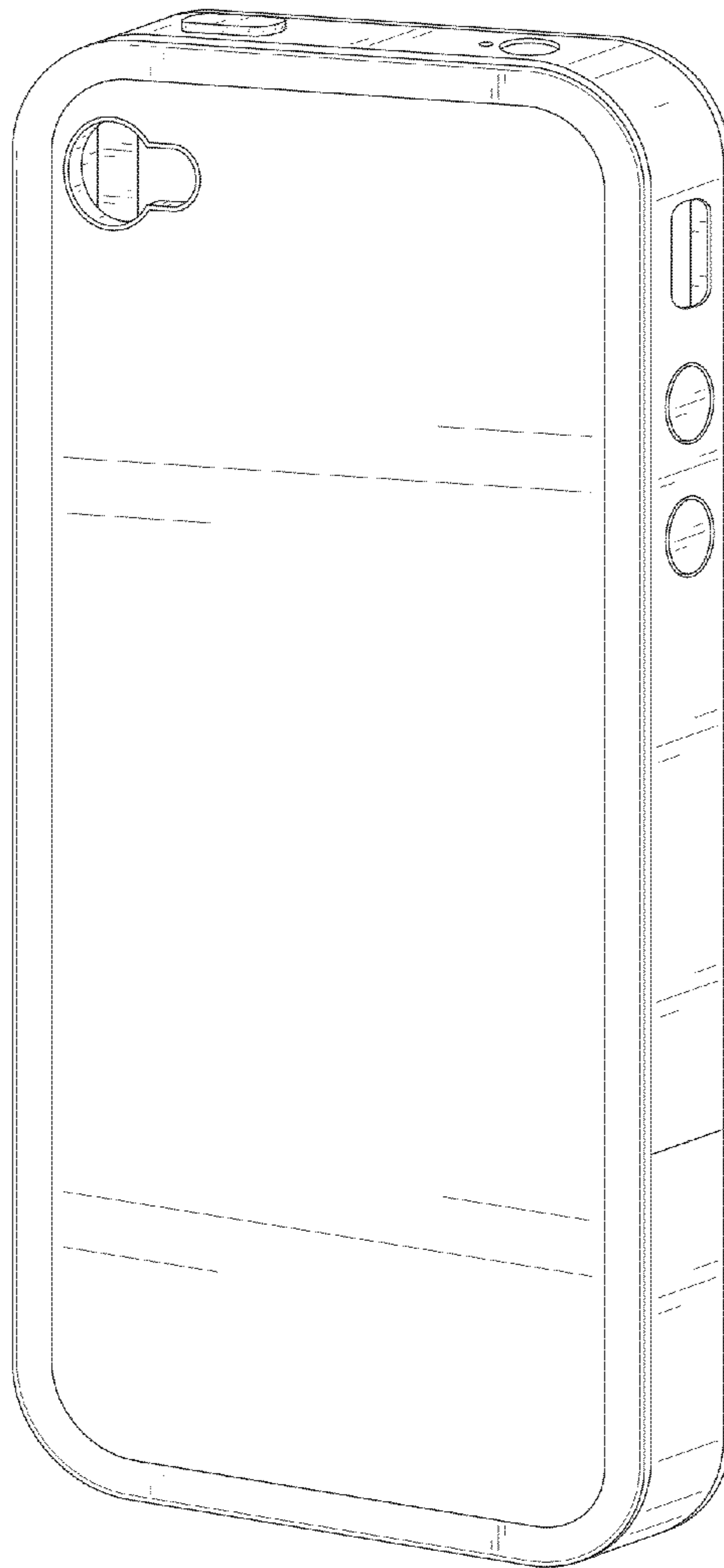


FIG. 2

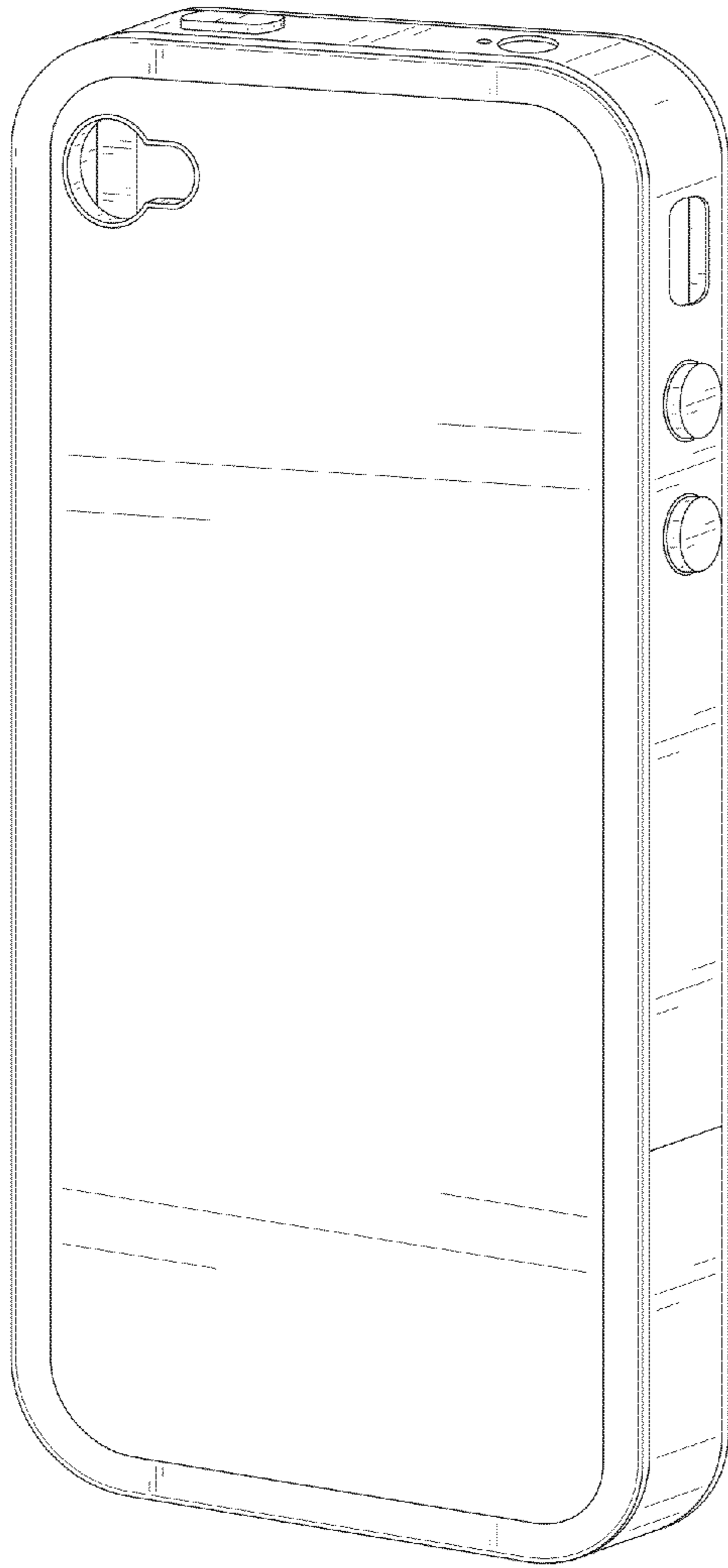


FIG. 3

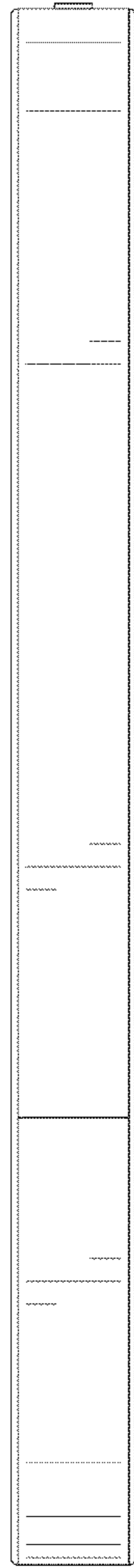


FIG. 4

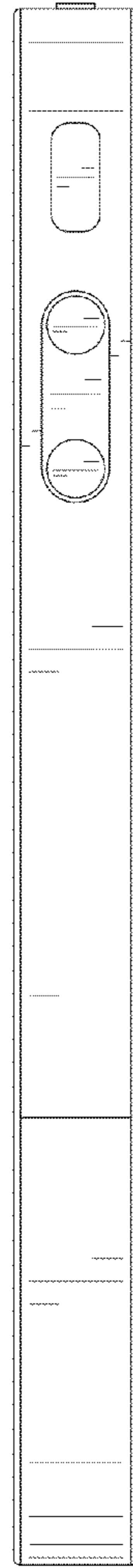


FIG. 5

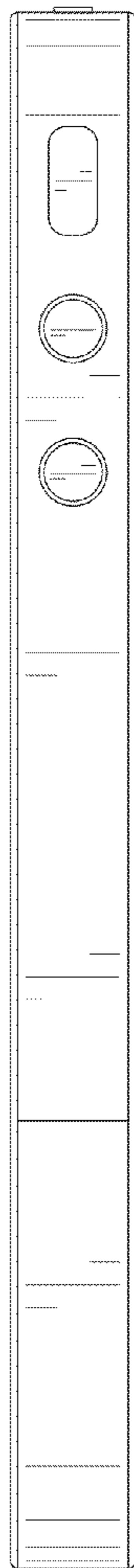


FIG. 6

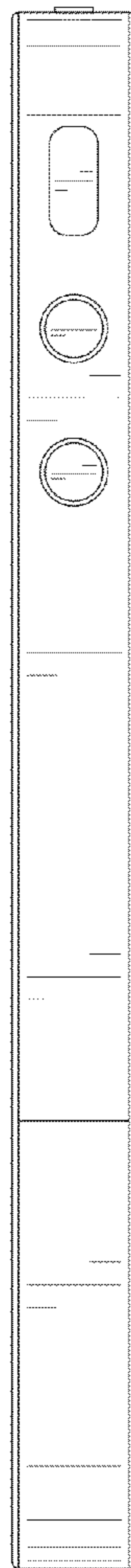


FIG. 7



FIG. 8

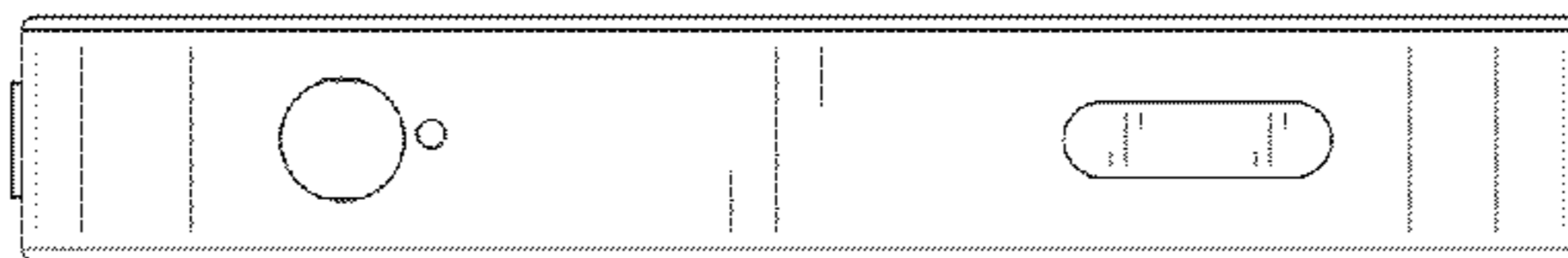


FIG. 9



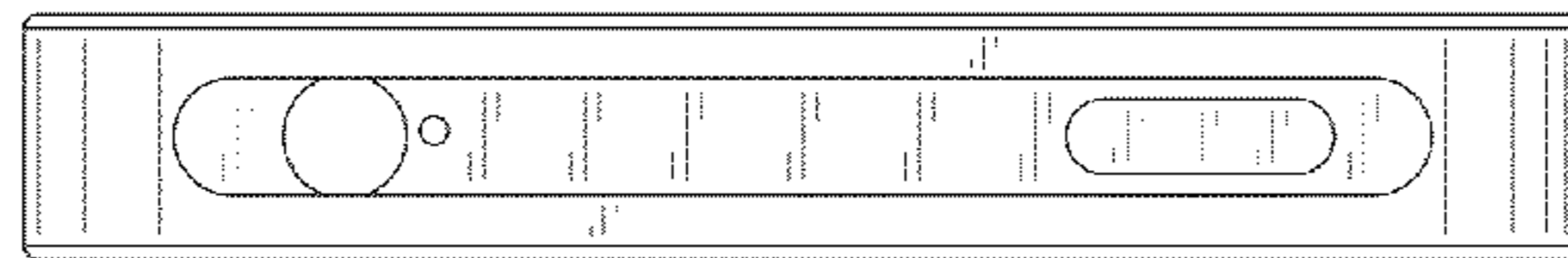


FIG. 10

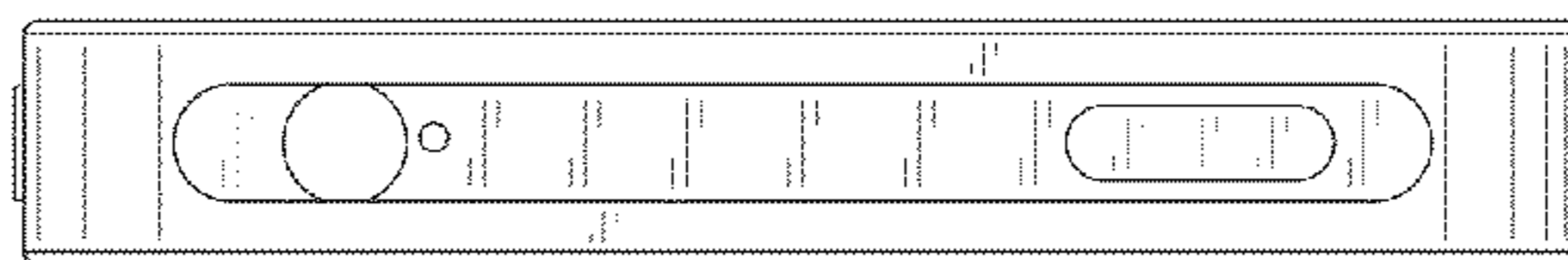


FIG. 11

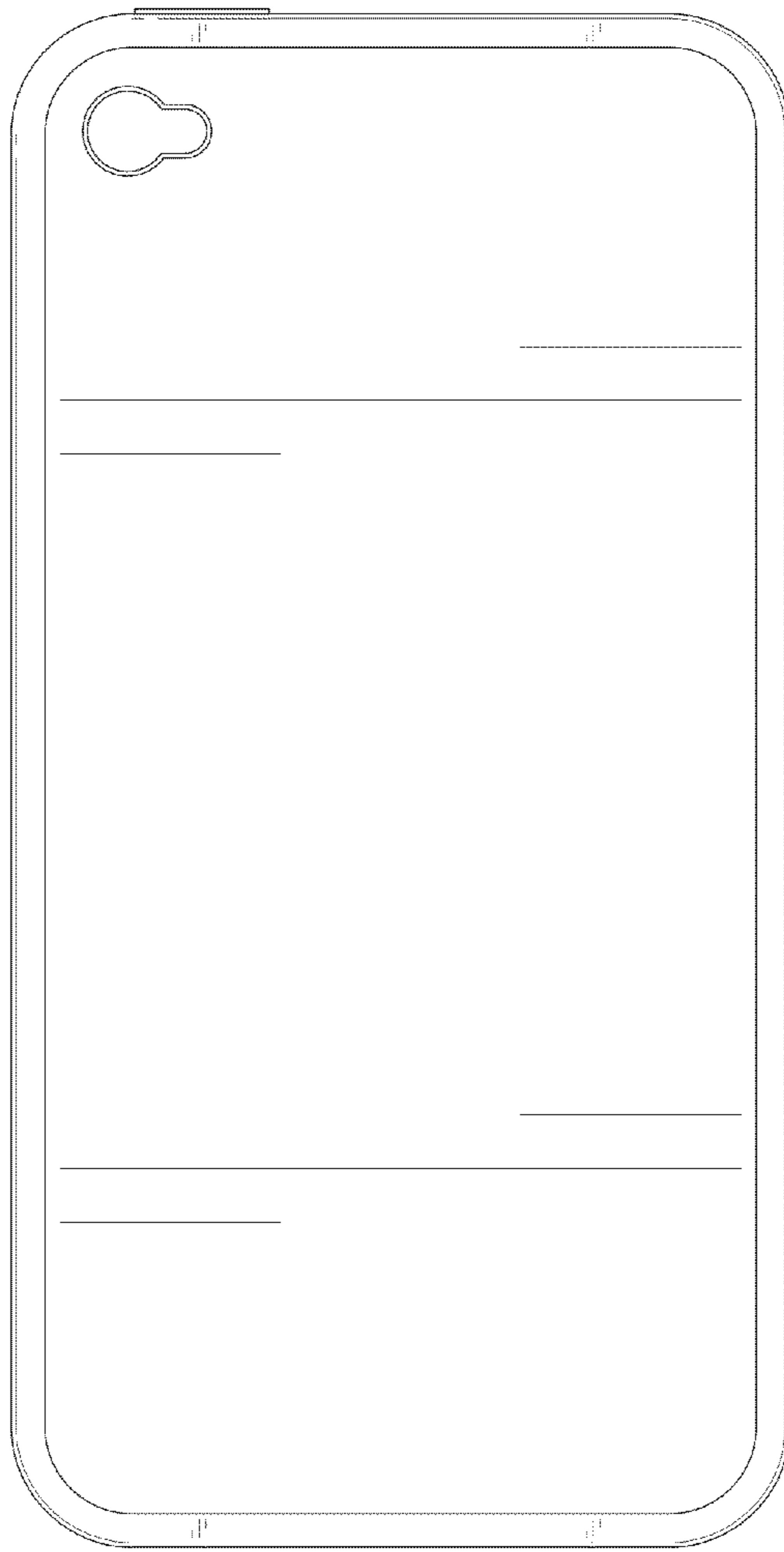


FIG. 12

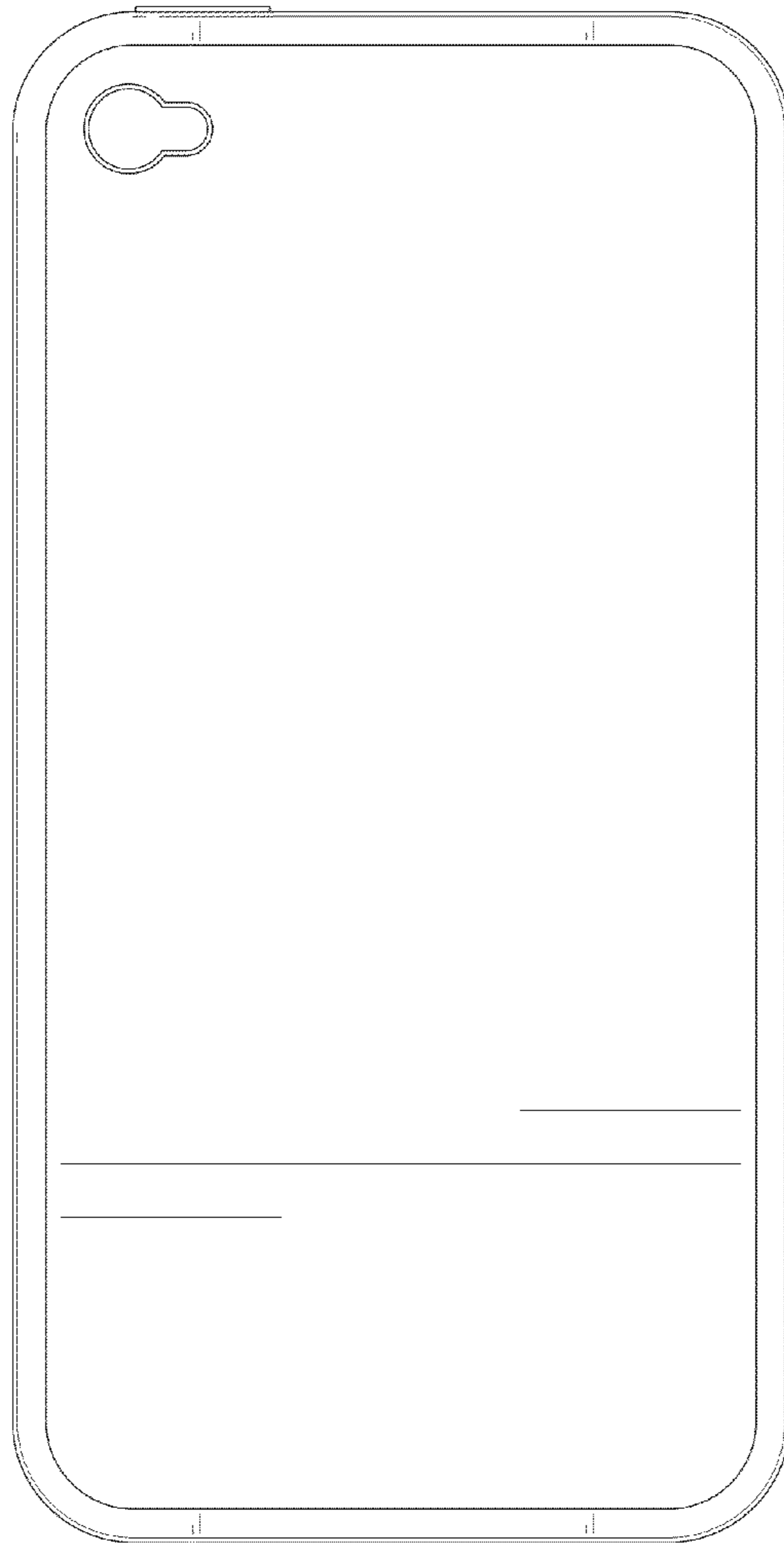


FIG. 13

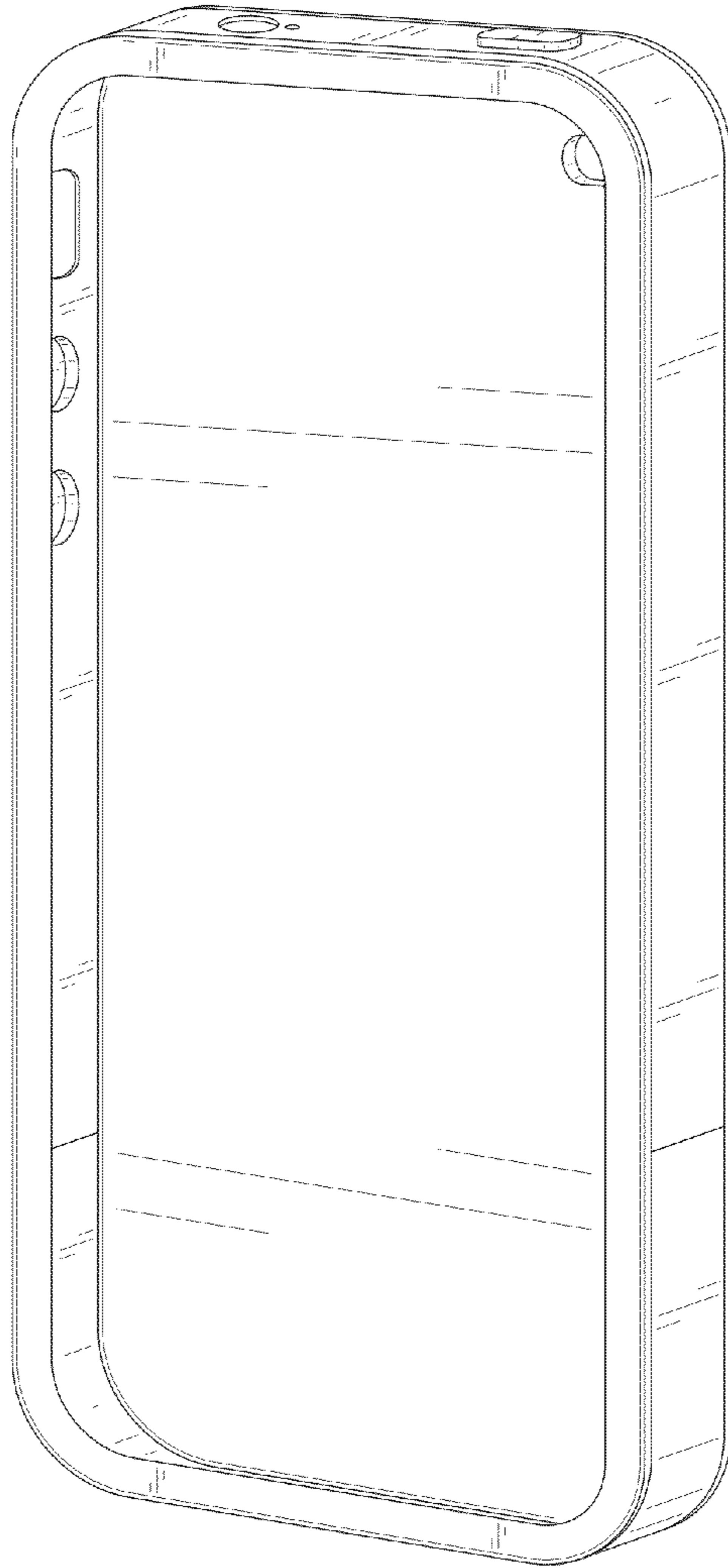


FIG. 14

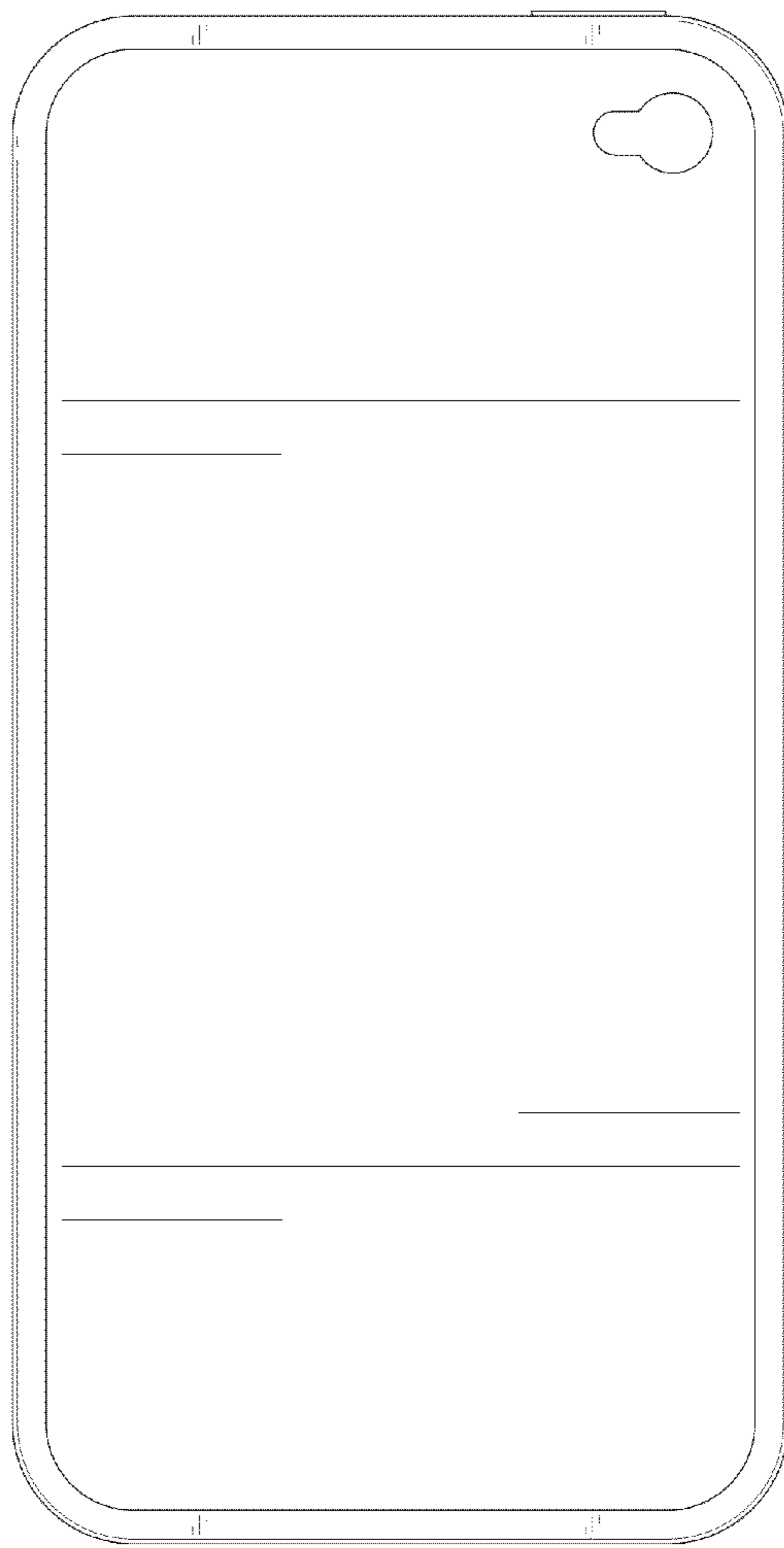


FIG. 15

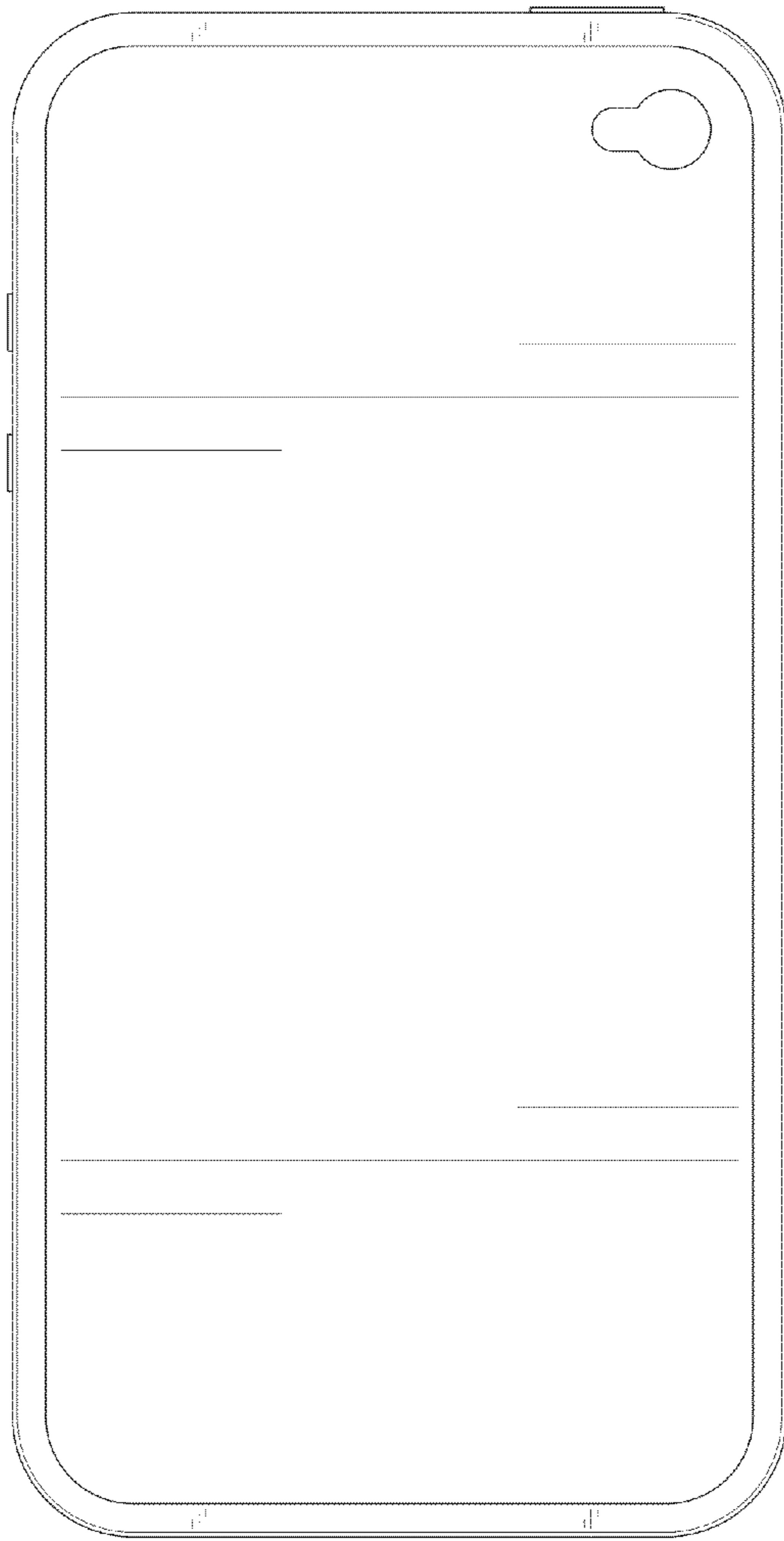


FIG. 16

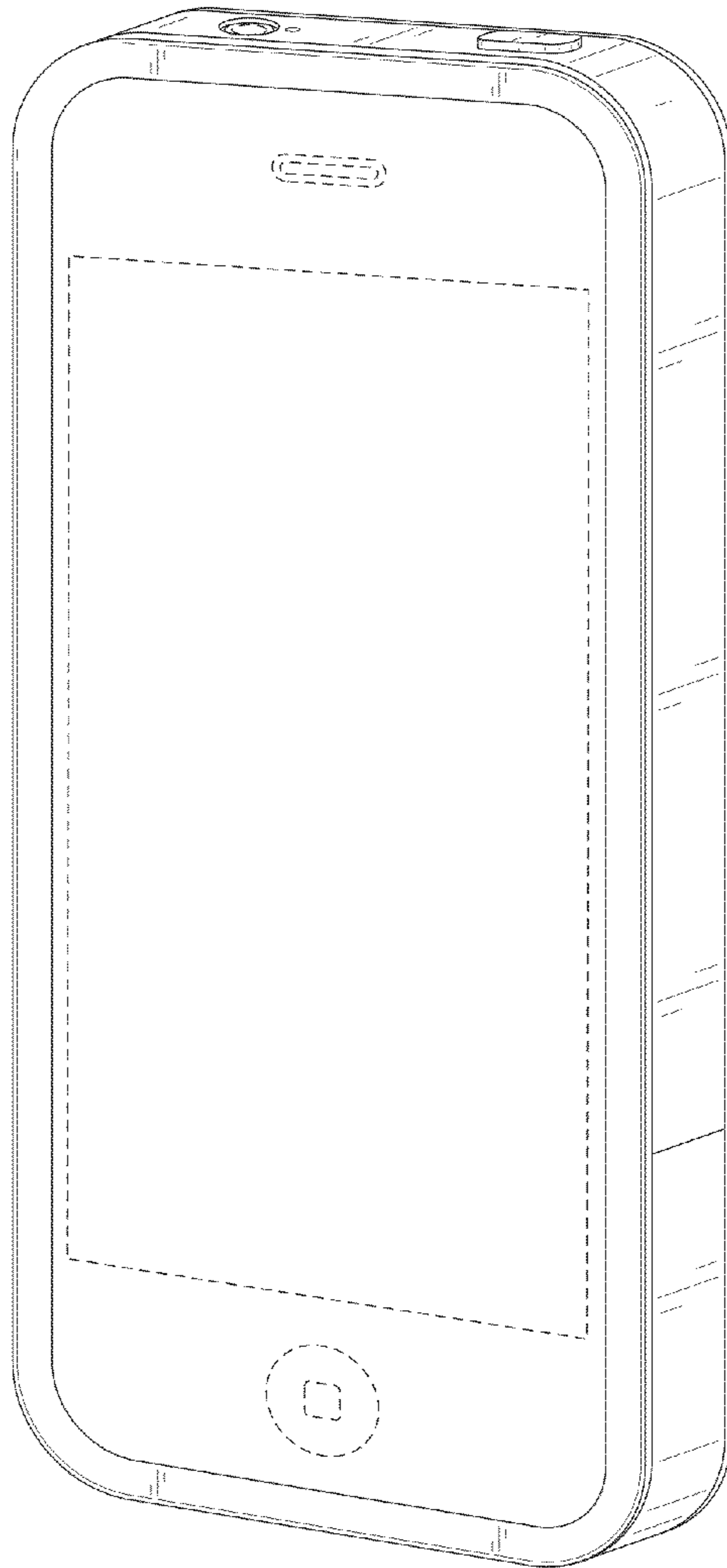


FIG. 17

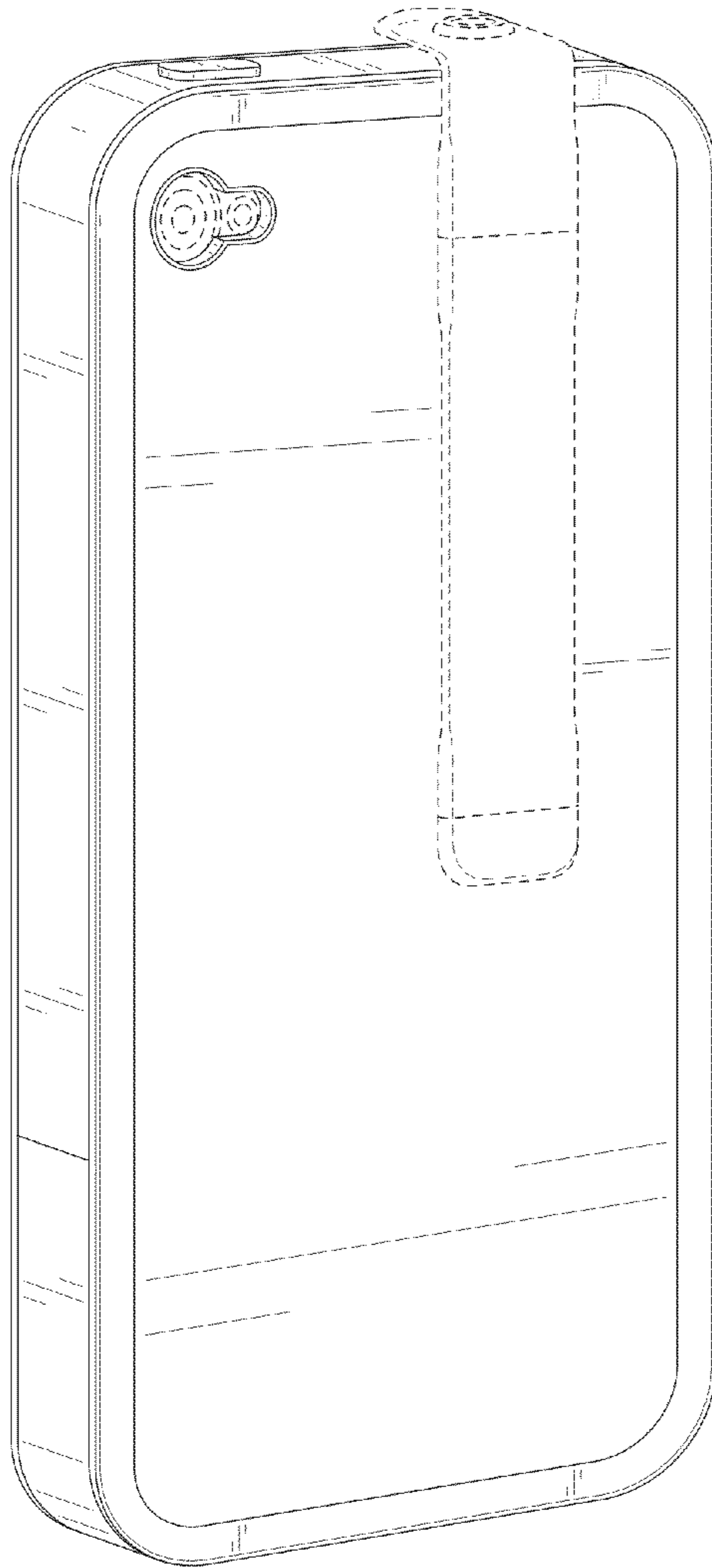


FIG. 18



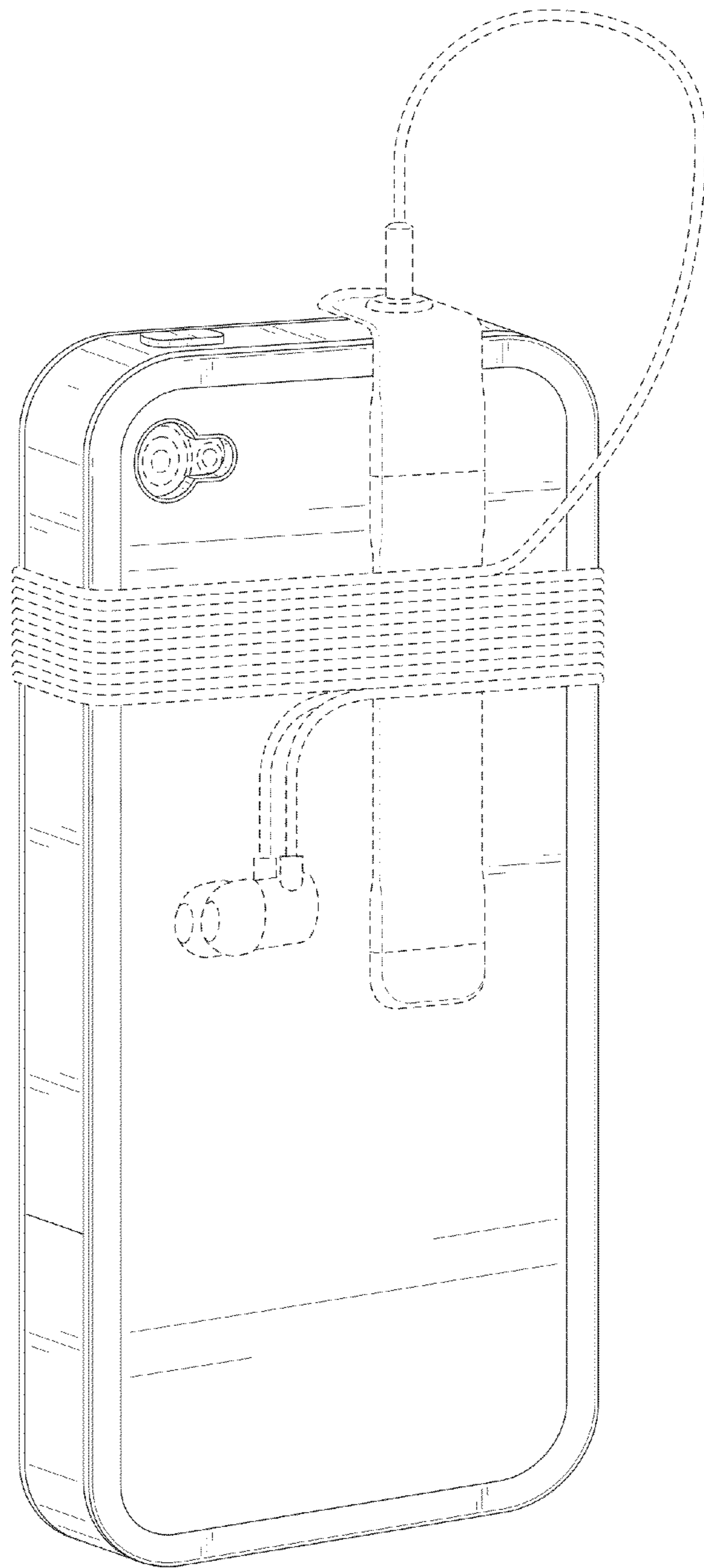


FIG. 19

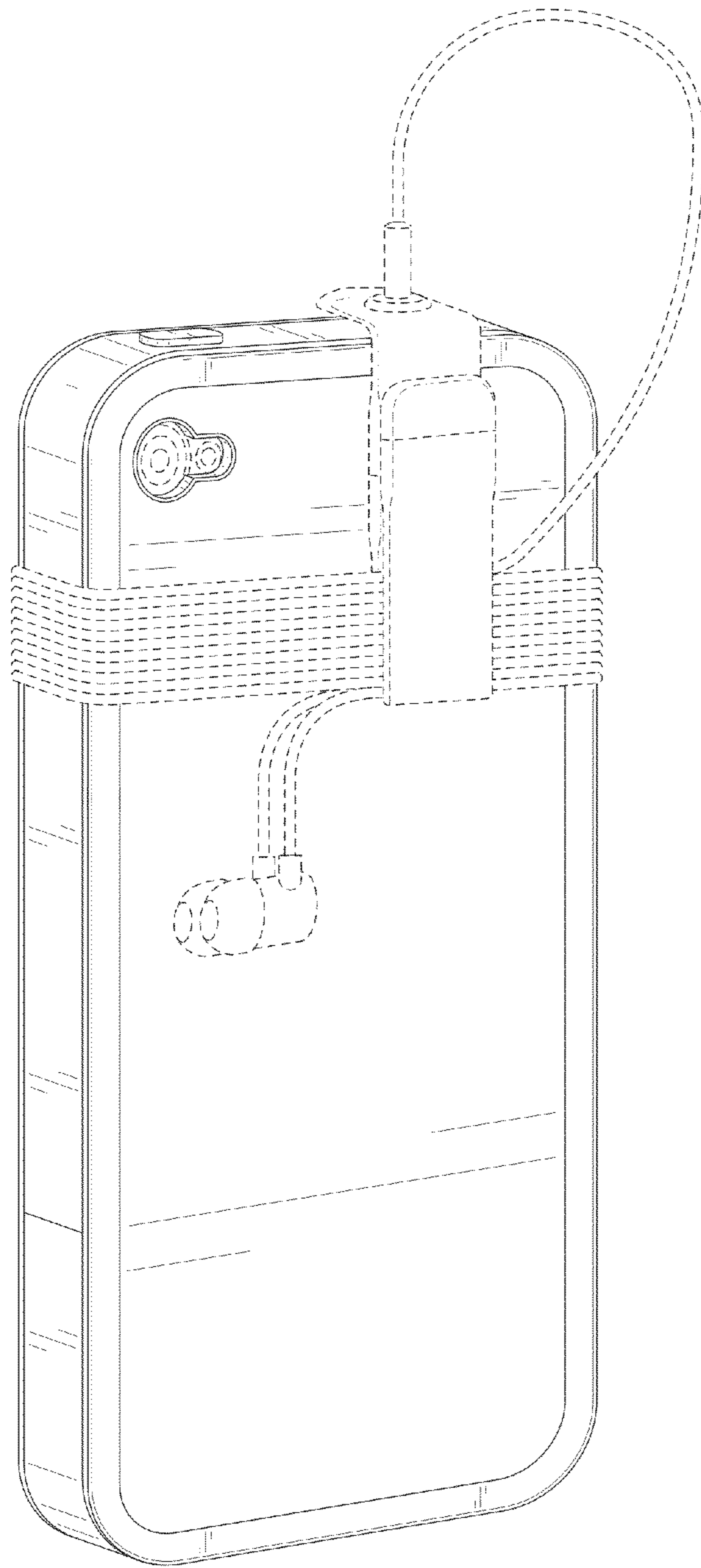


FIG. 20

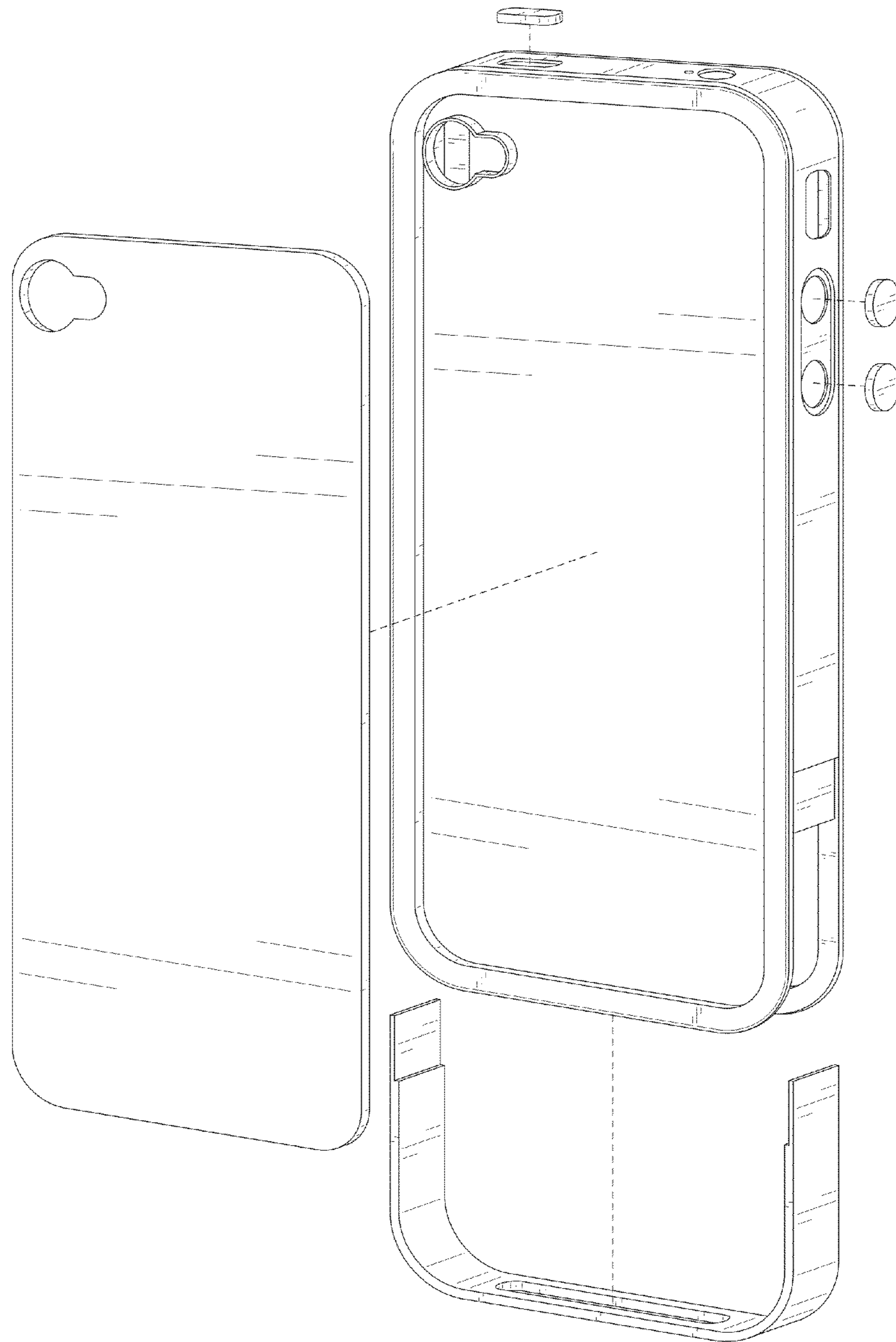


FIG. 21

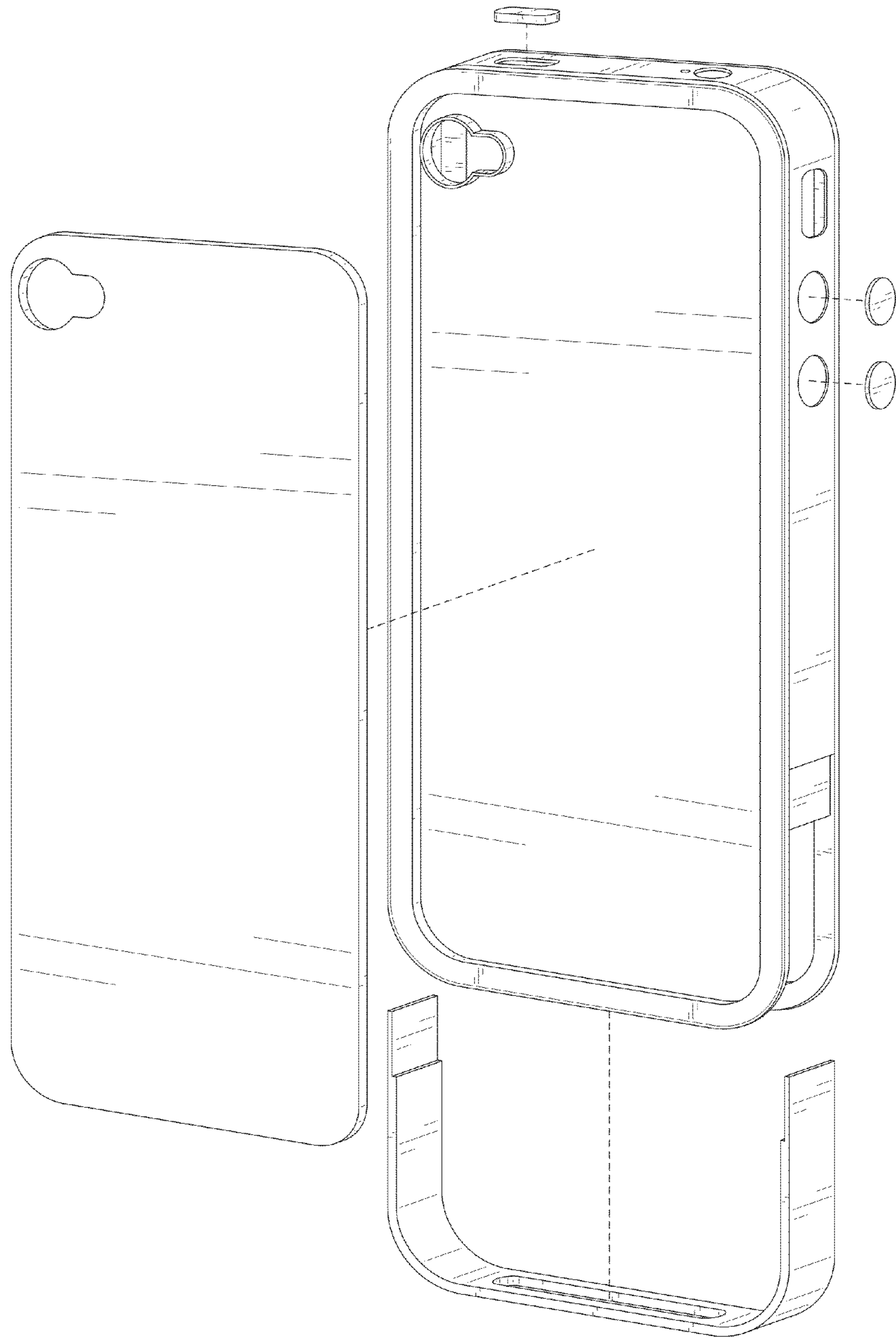


FIG. 22

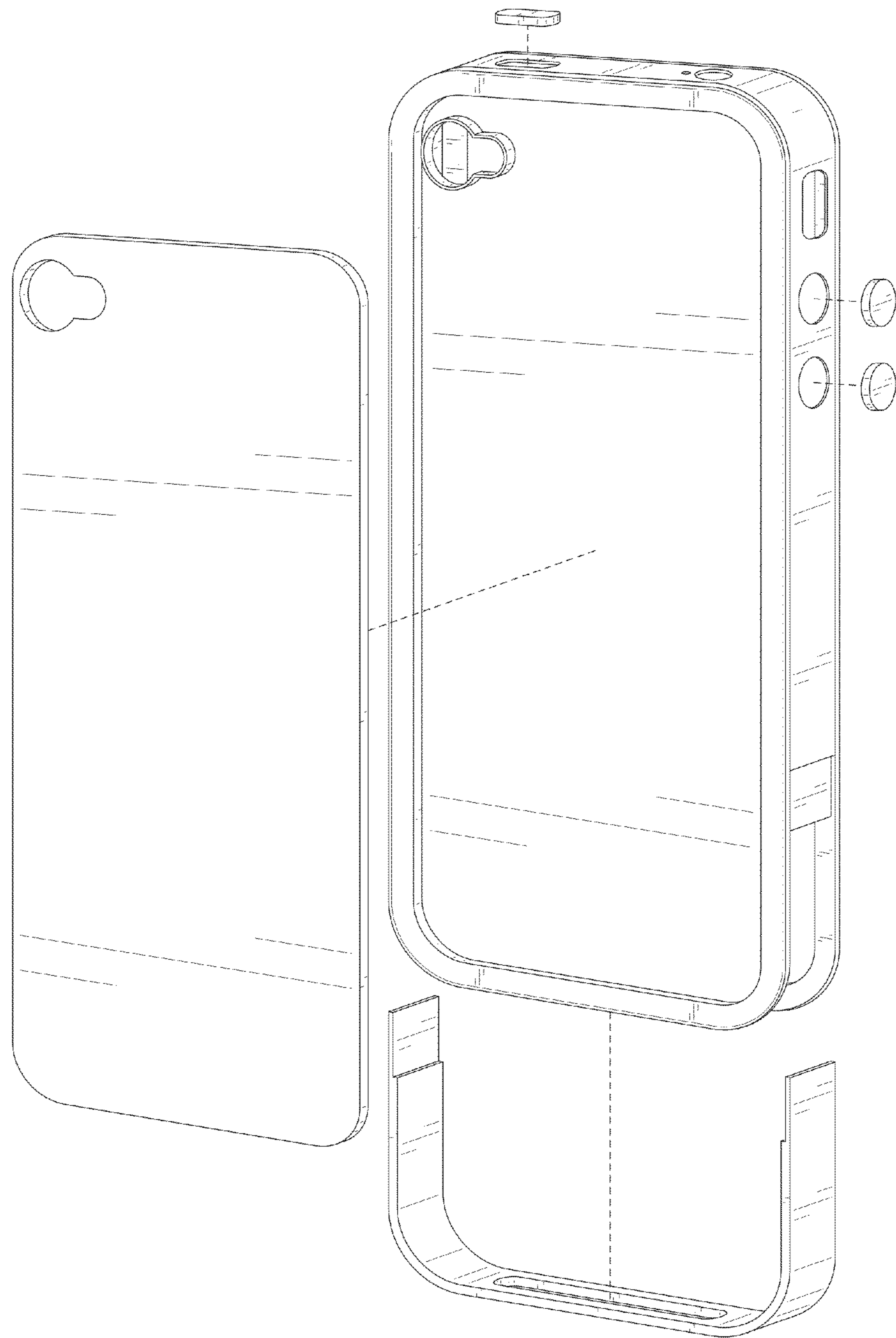


FIG. 23