



US00D671096S

(12) **United States Design Patent**  
**Song et al.**

(10) **Patent No.:** **US D671,096 S**  
(45) **Date of Patent:** **\*\* Nov. 20, 2012**

(54) **BLUETOOTH DONGLE**

(75) Inventors: **Han-Gil Song**, Seoul (KR);  
**Jung-Hyuck Im**, Yongin-si (KR);  
**Min-Hyuk Lee**, Seoul (KR)

(73) Assignee: **Samsung Electronics Co., Ltd.** (KR)

(\*\*) Term: **14 Years**

(21) Appl. No.: **29/401,296**

(22) Filed: **Sep. 9, 2011**

(30) **Foreign Application Priority Data**

Jul. 26, 2011 (KR) ..... 30-2011-0031142

(51) **LOC (9) Cl.** ..... **14-01**

(52) **U.S. Cl.** ..... **D14/223**

(58) **Field of Classification Search** ..... D14/205,  
D14/206, 223, 224, 253, 434, 229; 181/129,  
181/130, 135; 379/430, 431, 330; 381/380,  
381/381; 320/107; 455/90.3, 575.1, 575.2;  
D13/110

See application file for complete search history.

(56) **References Cited**

**U.S. PATENT DOCUMENTS**

5,594,314 A \* 1/1997 Hagiuda et al. .... 320/110  
D518,477 S \* 4/2006 Chen ..... D14/223  
7,086,907 B2 \* 8/2006 Bhavnani ..... 439/638  
D538,271 S \* 3/2007 Kim et al. .... D14/223  
D551,216 S \* 9/2007 Wei ..... D14/223  
D552,087 S \* 10/2007 Wei ..... D14/223

D595,697 S \* 7/2009 Mao et al. .... D14/223  
7,557,533 B2 \* 7/2009 Yang ..... 320/107  
D597,534 S \* 8/2009 Christopher ..... D14/223  
D603,377 S \* 11/2009 Chung ..... D14/223  
D603,378 S \* 11/2009 Paradise ..... D14/223  
D614,608 S \* 4/2010 Behling ..... D14/223  
7,746,028 B1 \* 6/2010 Yang et al. .... 320/107  
D635,961 S \* 4/2011 Gidden et al. .... D14/223  
D637,183 S \* 5/2011 March ..... D14/223  
D637,184 S \* 5/2011 March ..... D14/223  
D640,242 S \* 6/2011 Fahrendorff et al. .... D14/223  
D643,420 S \* 8/2011 Huang ..... D14/223  
D651,590 S \* 1/2012 Kang et al. .... D14/224

\* cited by examiner

*Primary Examiner* — Paula Greene

(74) *Attorney, Agent, or Firm* — Cantor Colburn LLP

(57) **CLAIM**

The ornamental design for a bluetooth dongle, as shown and described.

**DESCRIPTION**

FIG. 1 is a perspective view of bluetooth dongle, showing our new design;

FIG. 2 is a front elevational view thereof;

FIG. 3 is a rear elevational view thereof;

FIG. 4 is a left side elevational view thereof;

FIG. 5 is a right side elevational view thereof;

FIG. 6 is a top plan view thereof;

FIG. 7 is a bottom plan view thereof; and,

FIG. 8 is an exploded perspective view thereof.

The broken lines form no part of the claimed design.

**1 Claim, 8 Drawing Sheets**

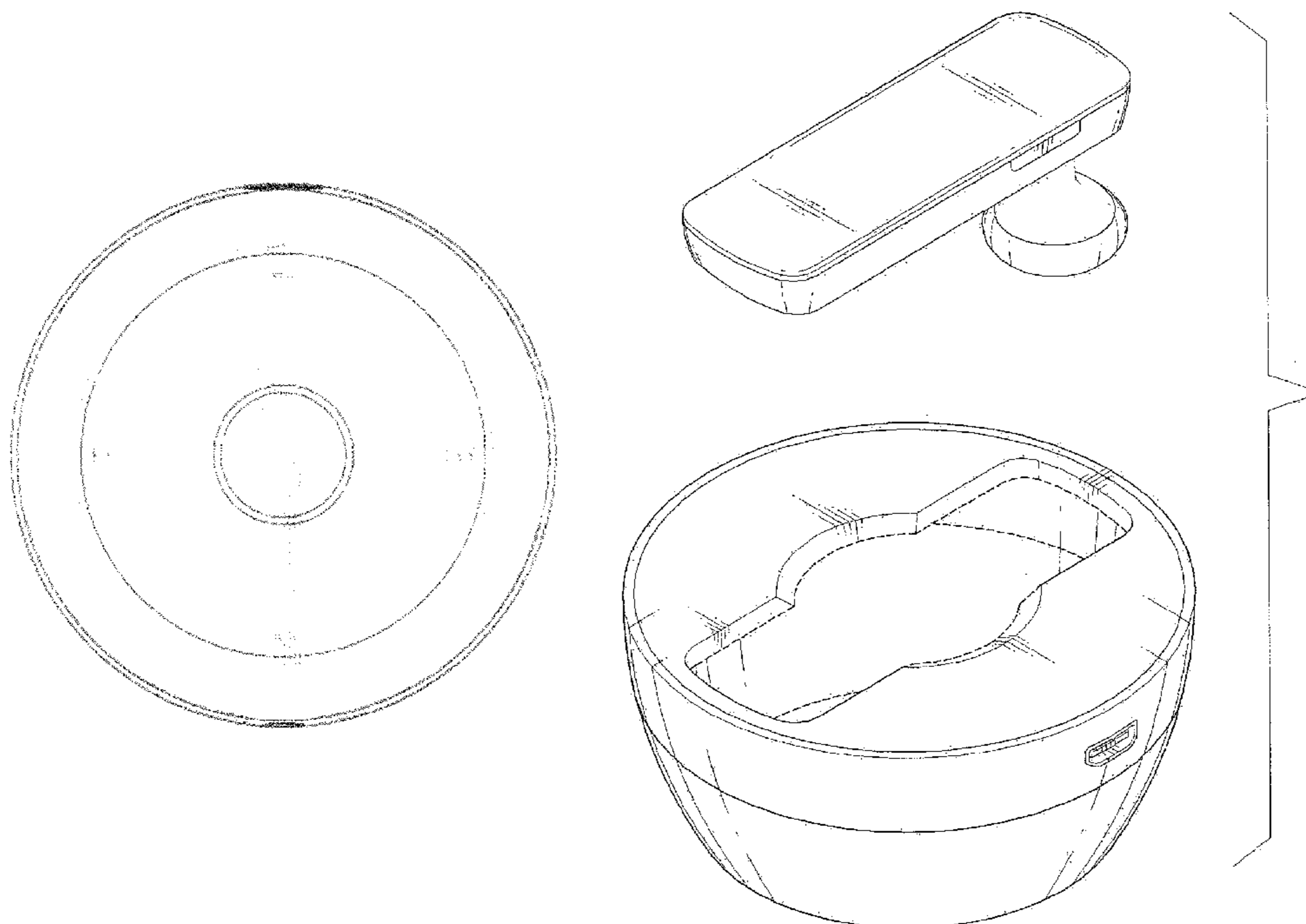


FIG. 1

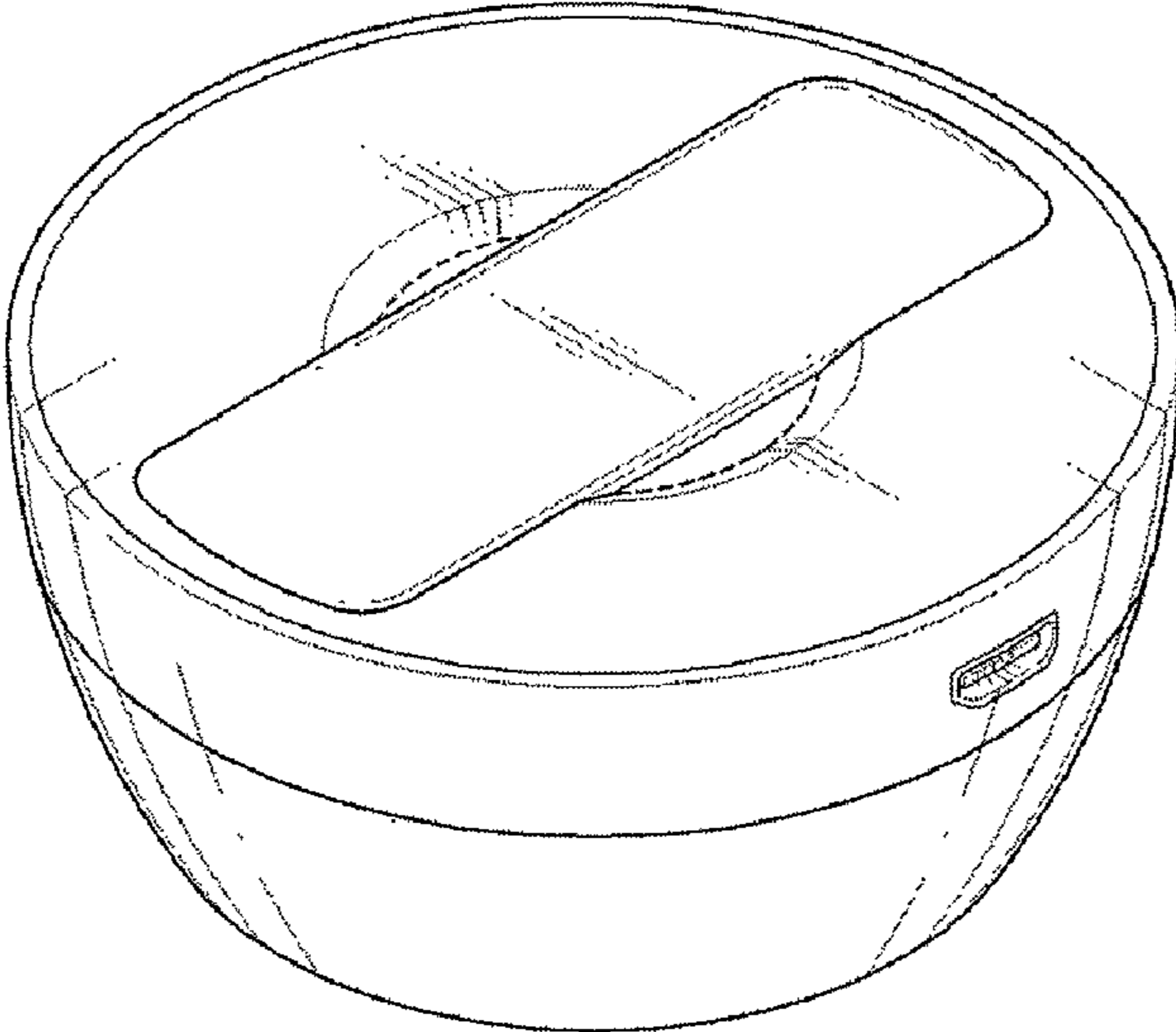


FIG. 2

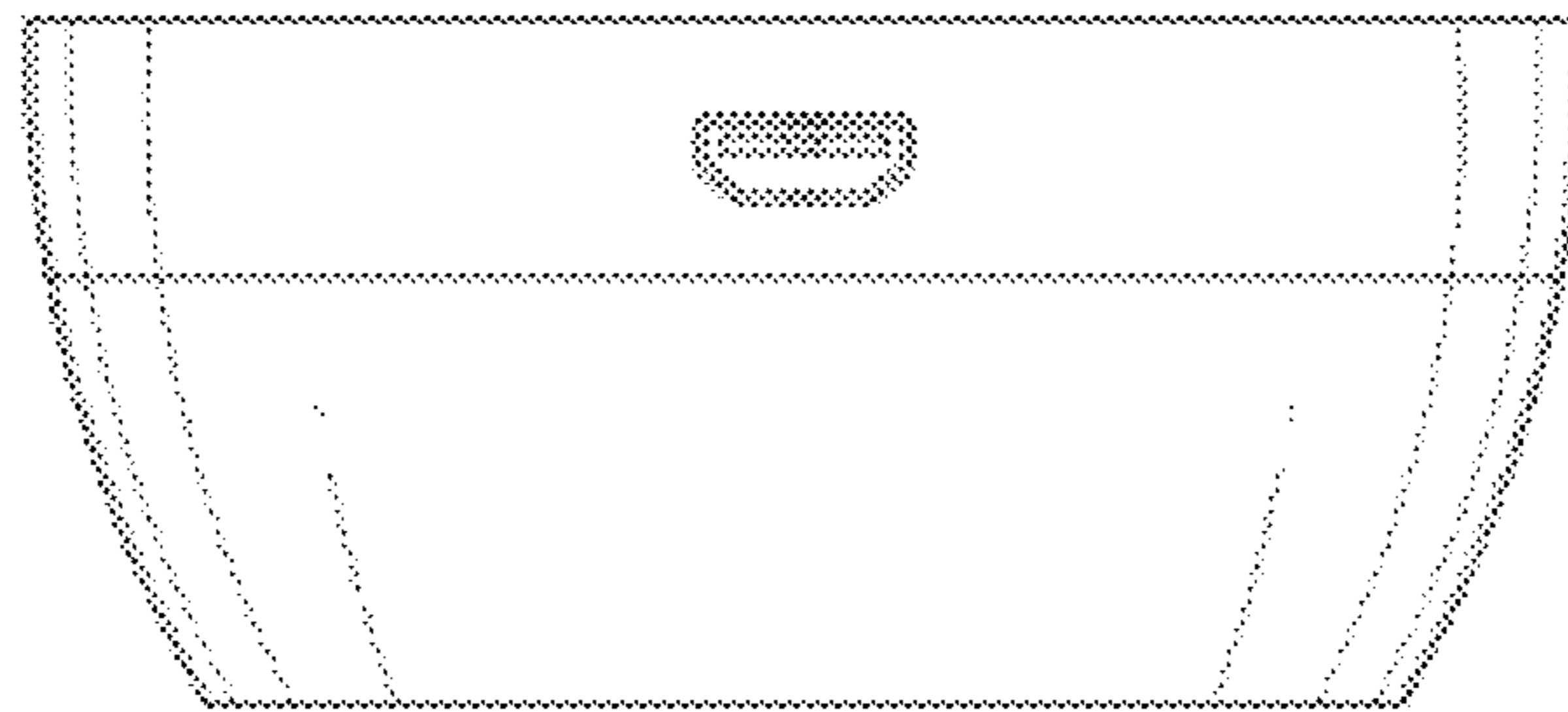


FIG. 3

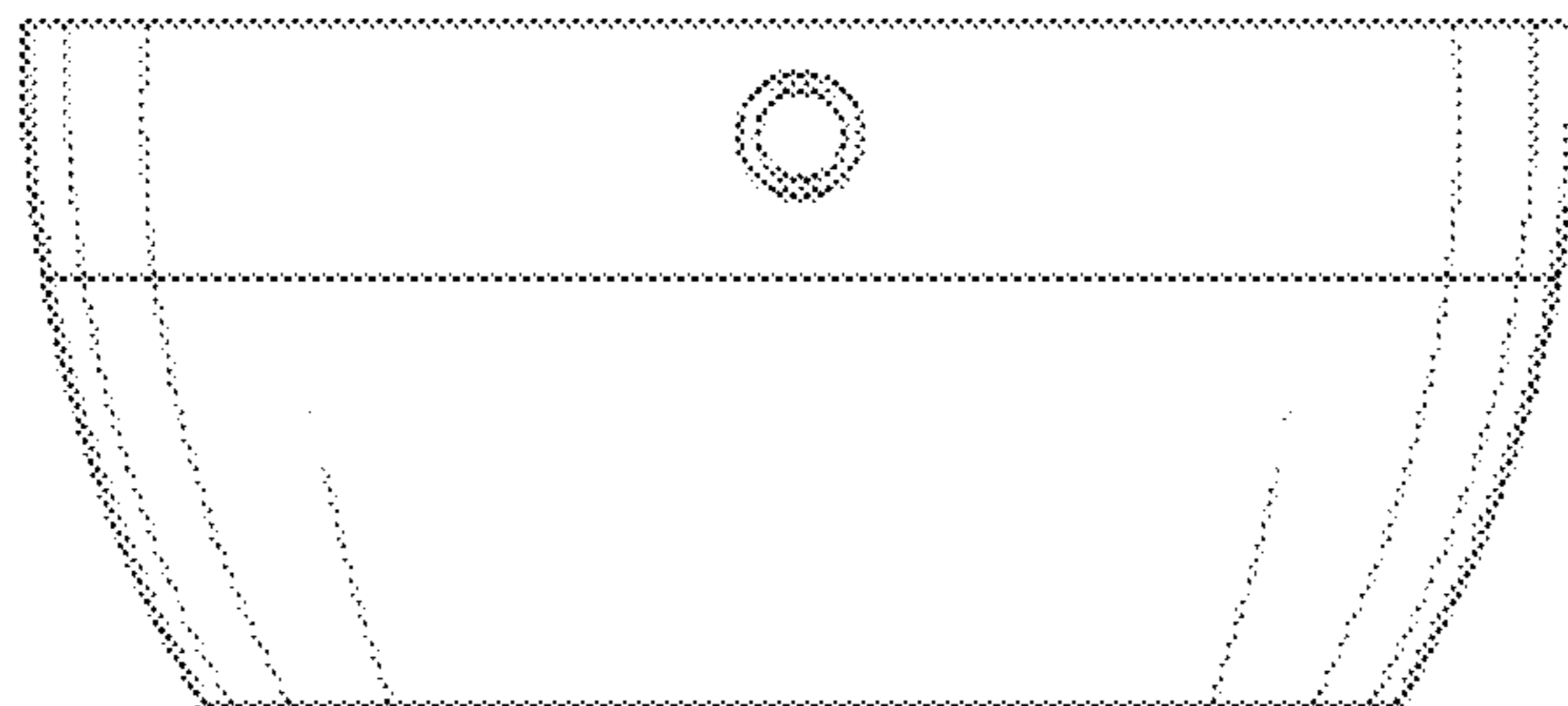


FIG. 4



FIG. 5

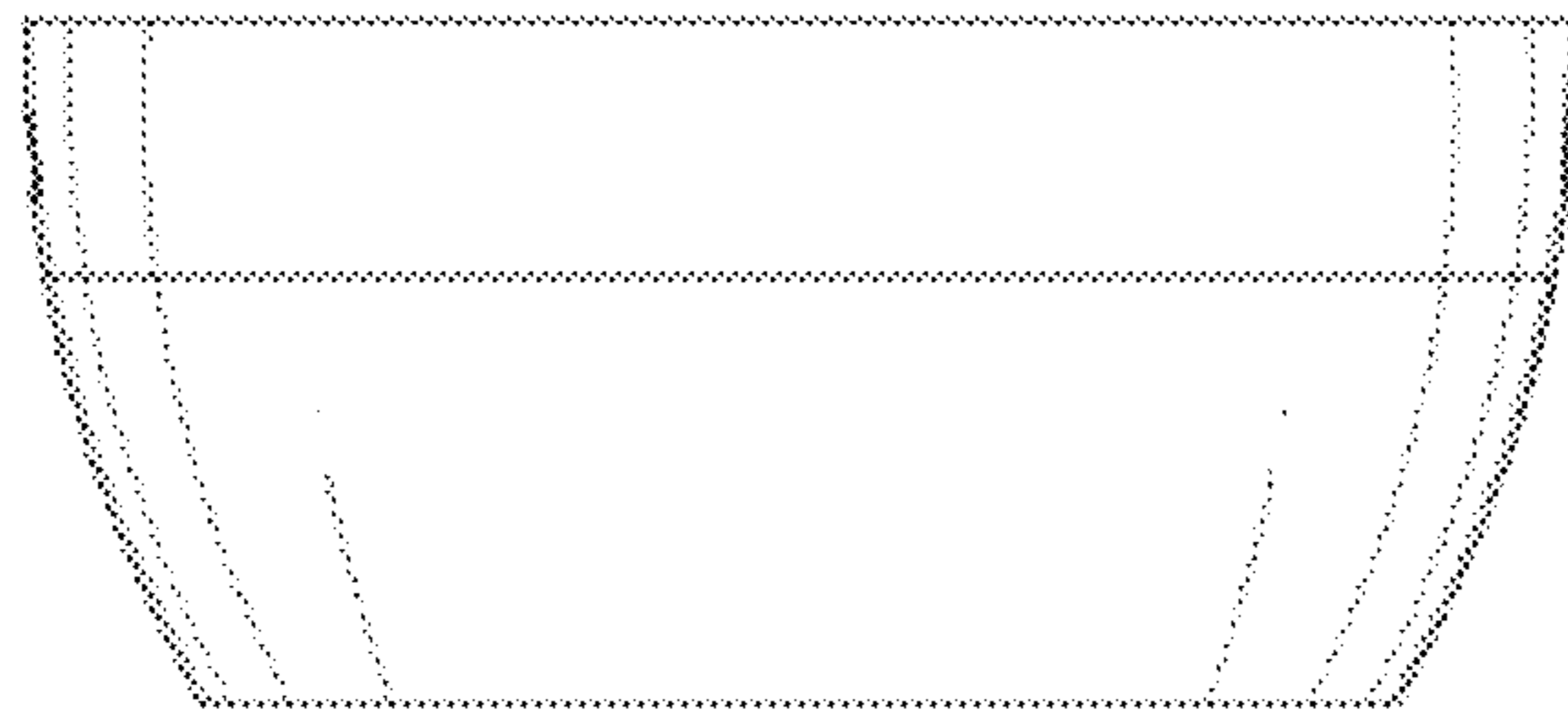


FIG. 6

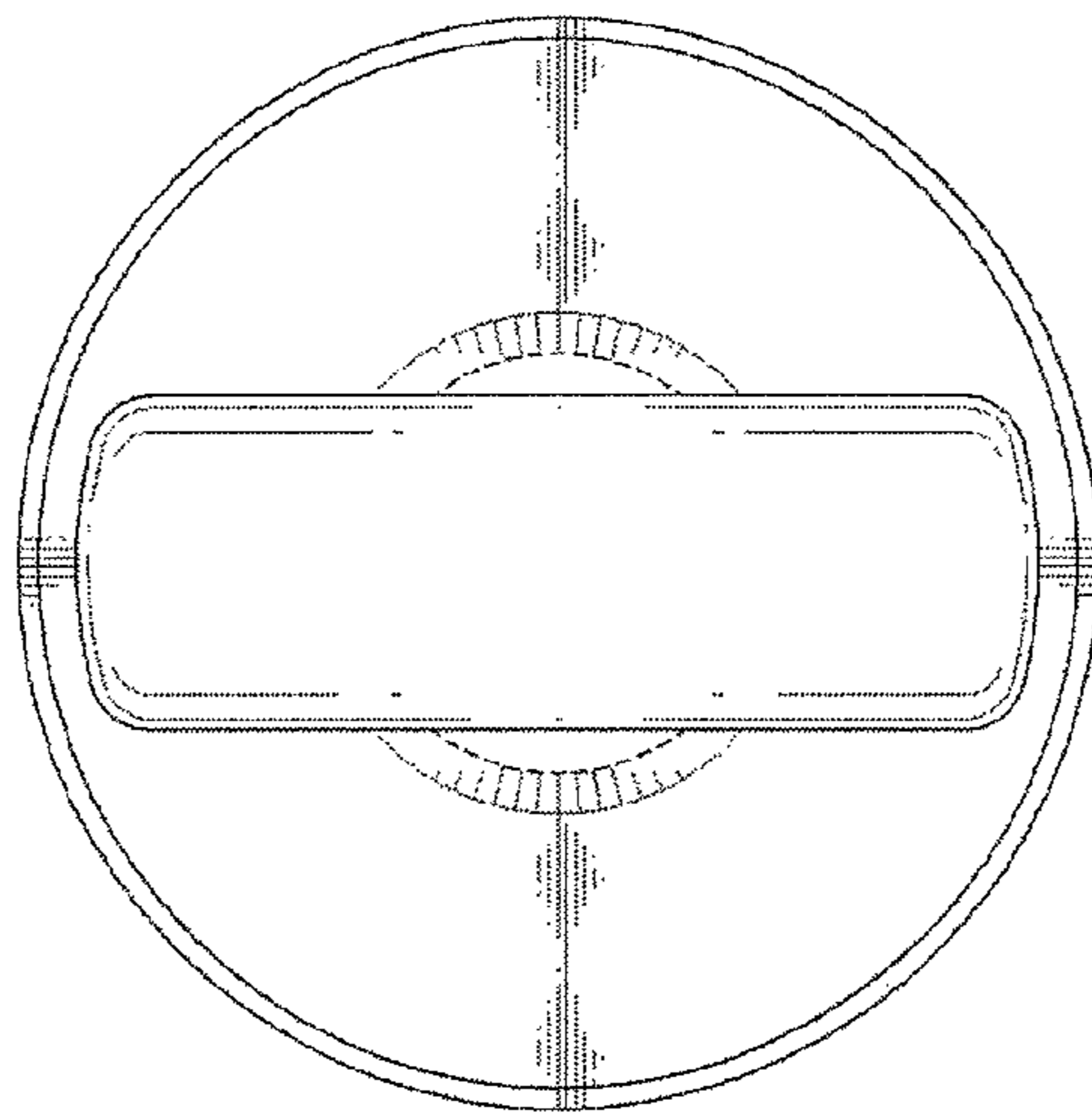


FIG. 7

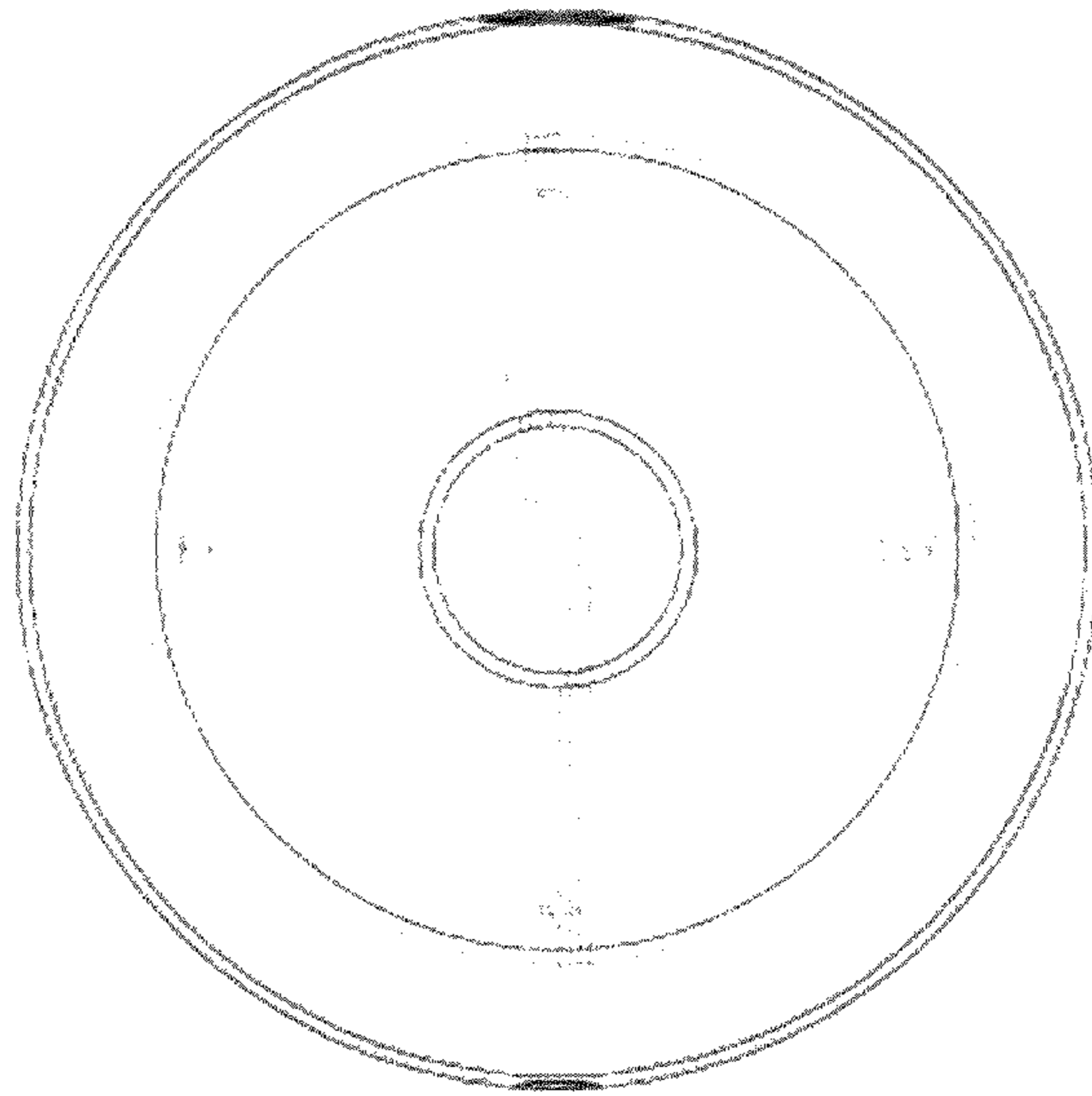




FIG. 8

