



US00D671095S

(12) **United States Design Patent**
Ching

(10) **Patent No.:** **US D671,095 S**

(45) **Date of Patent:** **** Nov. 20, 2012**

(54) **MULTIMEDIA SPEAKER**

(75) Inventor: **Chan Ching**, Taipei Hsien (TW)

(73) Assignee: **Perfect Union Co., Ltd.**, Taipei Hsien (TW)

(**) Term: **14 Years**

(21) Appl. No.: **29/397,814**

(22) Filed: **Jul. 21, 2011**

(51) **LOC (9) Cl.** **14-01**

(52) **U.S. Cl.** **D14/210; D14/204**

(58) **Field of Classification Search** D14/204,
D14/218, 172, 210–216; 181/143, 147, 148,
181/150, 153, 157, 198, 199, 166, 144;
381/300–303, 306, 332, 333, 336, 345, 361–364,
381/370, 386–388

See application file for complete search history.

(56) **References Cited**

U.S. PATENT DOCUMENTS

D222,478 S * 10/1971 Massaccesi et al. D14/165
D229,191 S * 11/1973 Sandler D14/210
D295,857 S * 5/1988 Nagashima D14/210
4,811,406 A * 3/1989 Kawachi 381/186

4,843,624 A * 6/1989 Rashak 381/91
D307,014 S * 4/1990 Newman D14/210
4,924,964 A * 5/1990 Olsen 181/151
D318,054 S * 7/1991 Kikutani D14/214
D417,668 S * 12/1999 Tanaka D14/214
D431,551 S * 10/2000 Wegner D14/210
D443,604 S * 6/2001 Levine D14/214
6,349,792 B1 * 2/2002 Smith et al. 181/156
D538,263 S * 3/2007 Yasuda et al. D14/214

* cited by examiner

Primary Examiner — Prabhakar Deshmukh

(74) *Attorney, Agent, or Firm* — Guice Patents PLLC

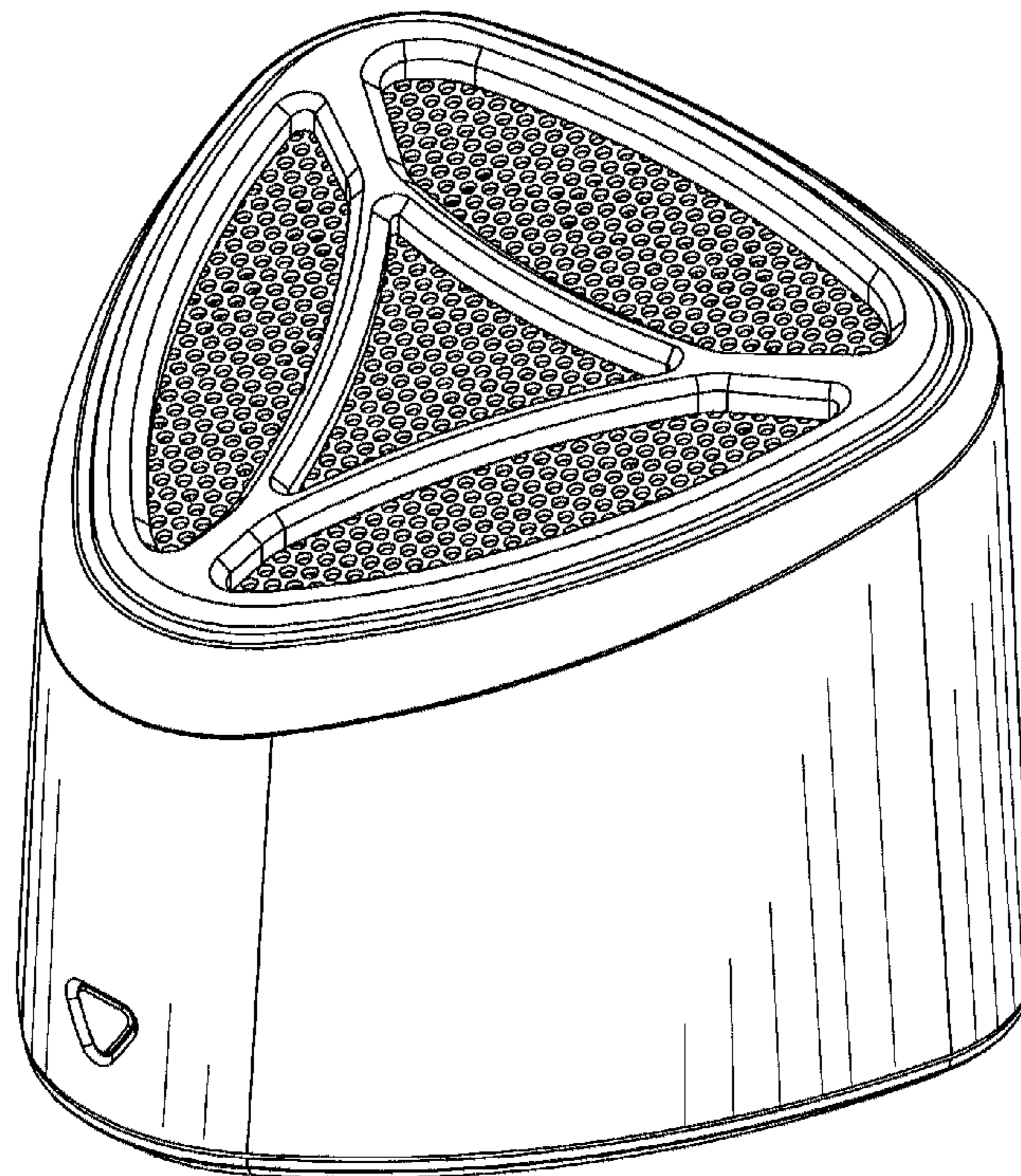
(57) **CLAIM**

The ornamental design for multimedia speaker, as shown and described.

DESCRIPTION

FIG. 1 is a top front and left side perspective view of multimedia speaker showing my new design;
FIG. 2 is a front elevational view thereof;
FIG. 3 is a rear elevational view thereof;
FIG. 4 is a left side elevational view thereof;
FIG. 5 is a right side elevational view thereof;
FIG. 6 is a top plan view thereof; and,
FIG. 7 is a bottom plan view thereof.

1 Claim, 4 Drawing Sheets



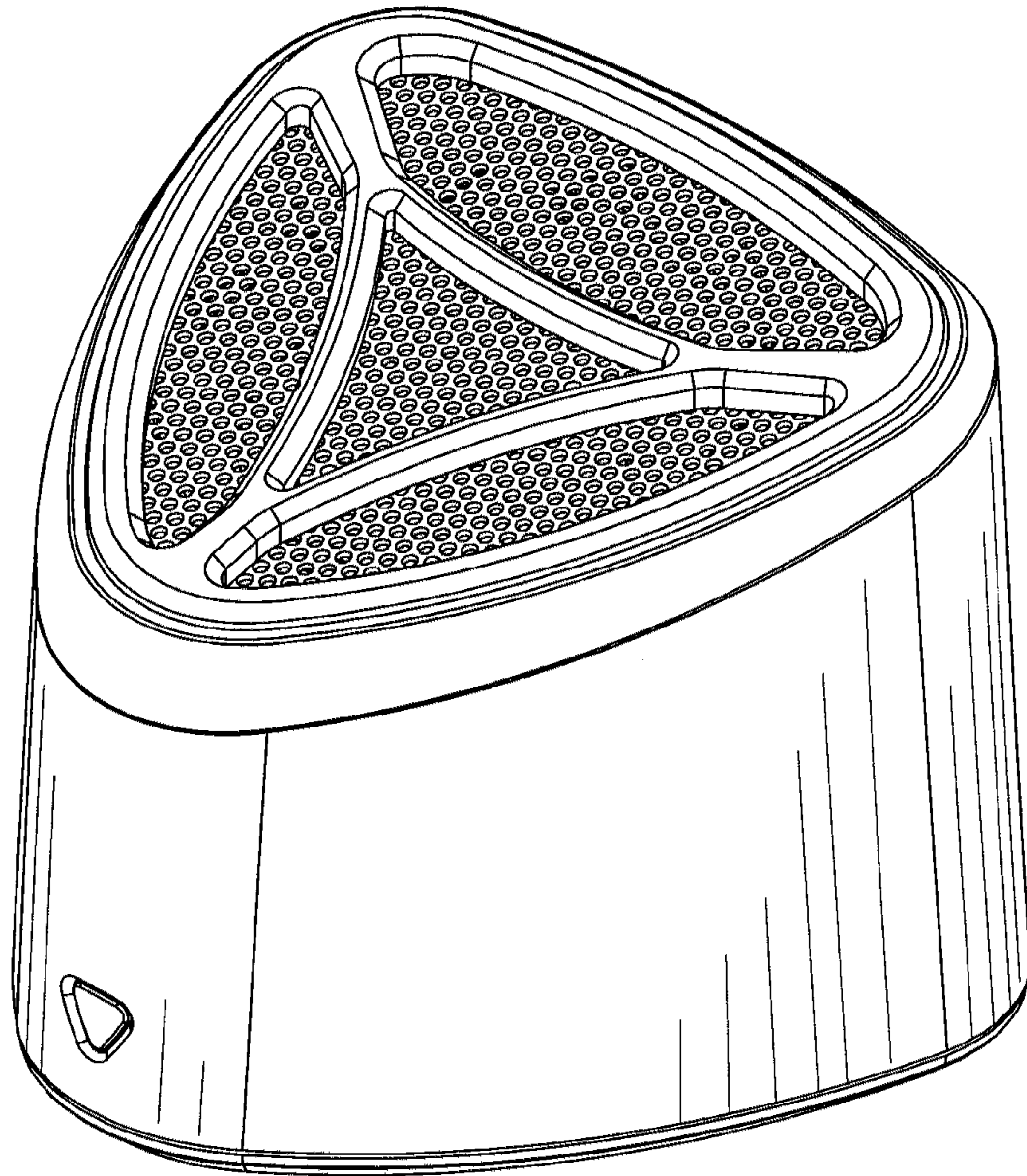


Fig. 1

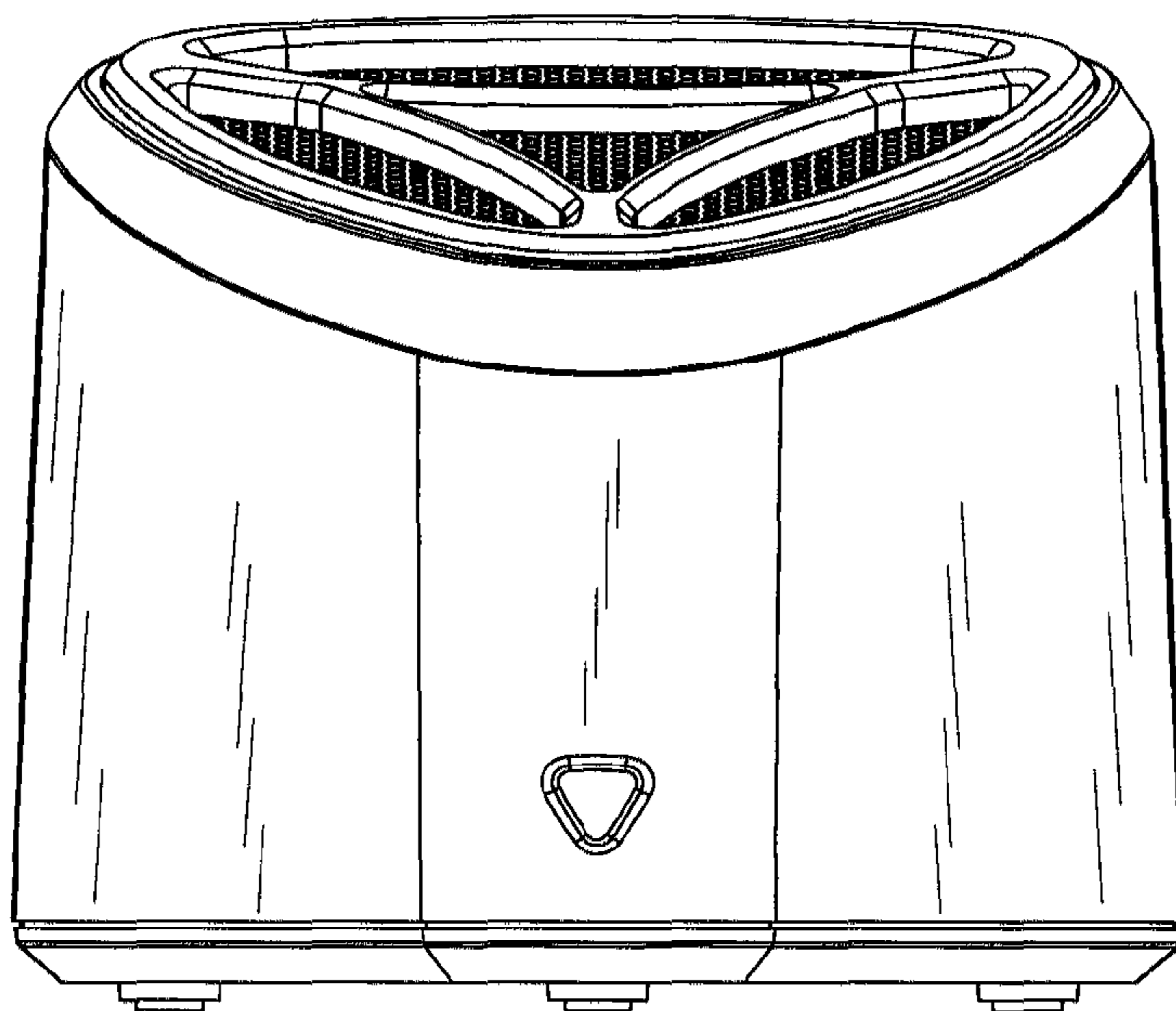


Fig. 2

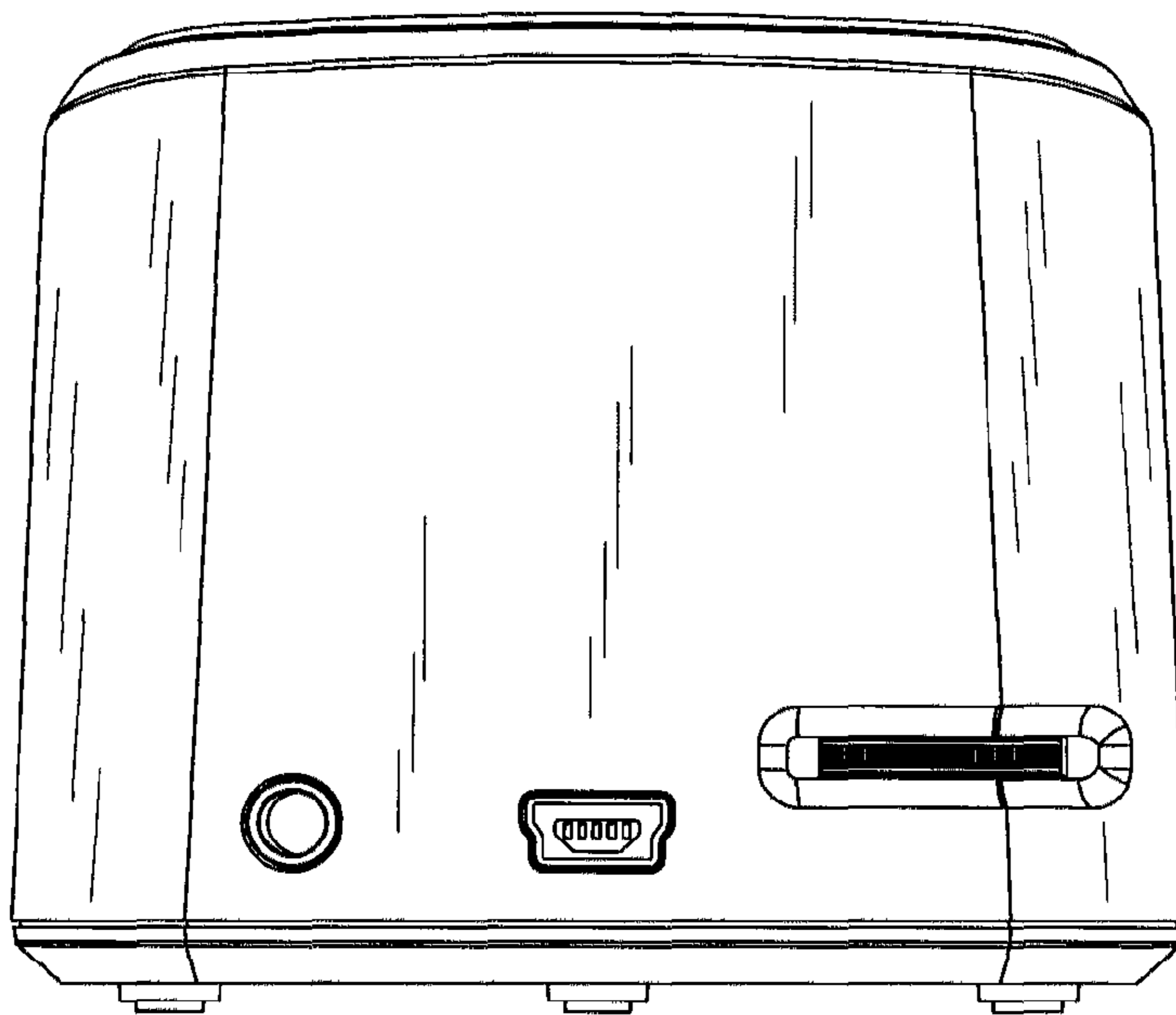


Fig. 3

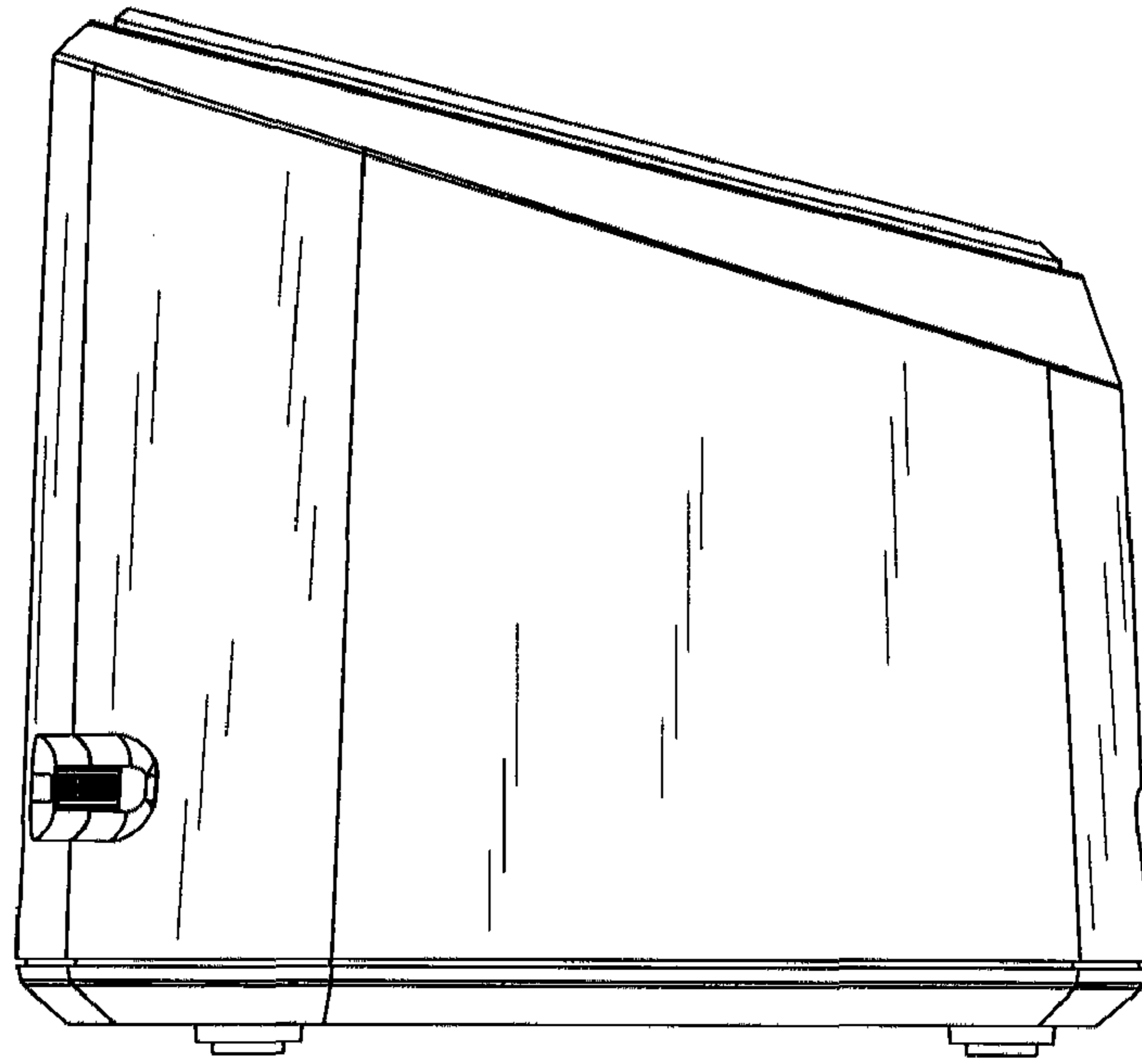


Fig. 4

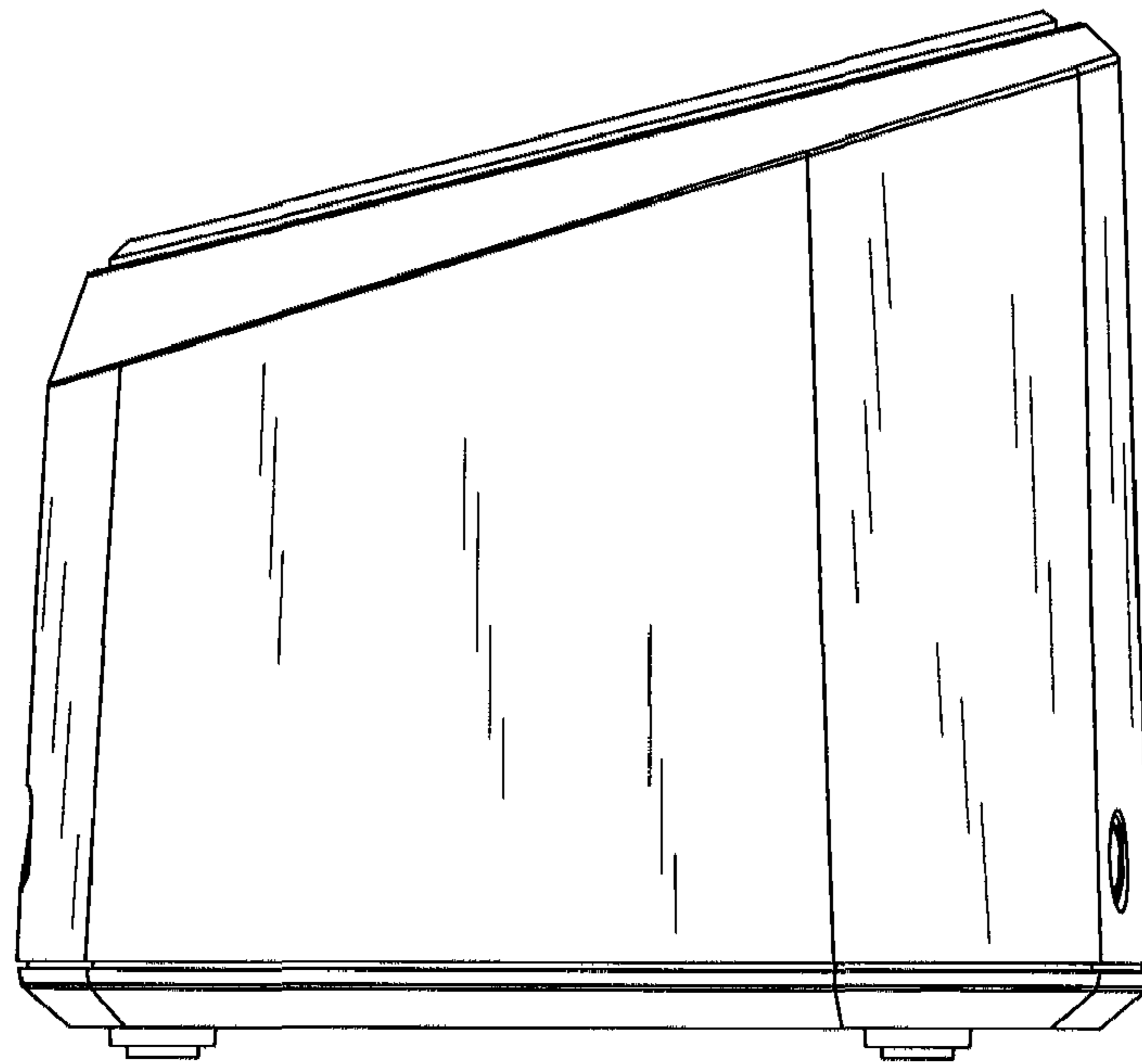


Fig. 5

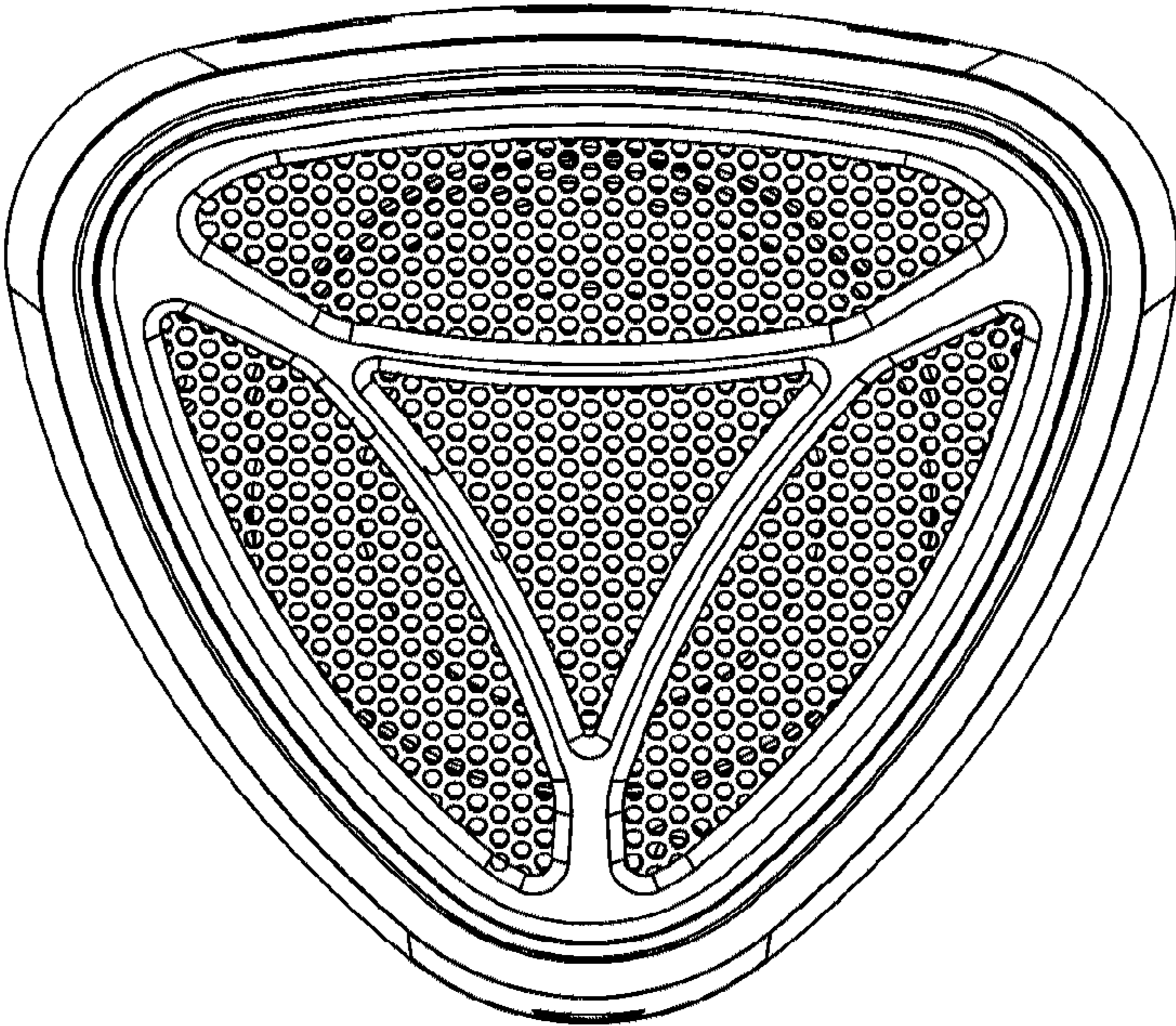


Fig. 6

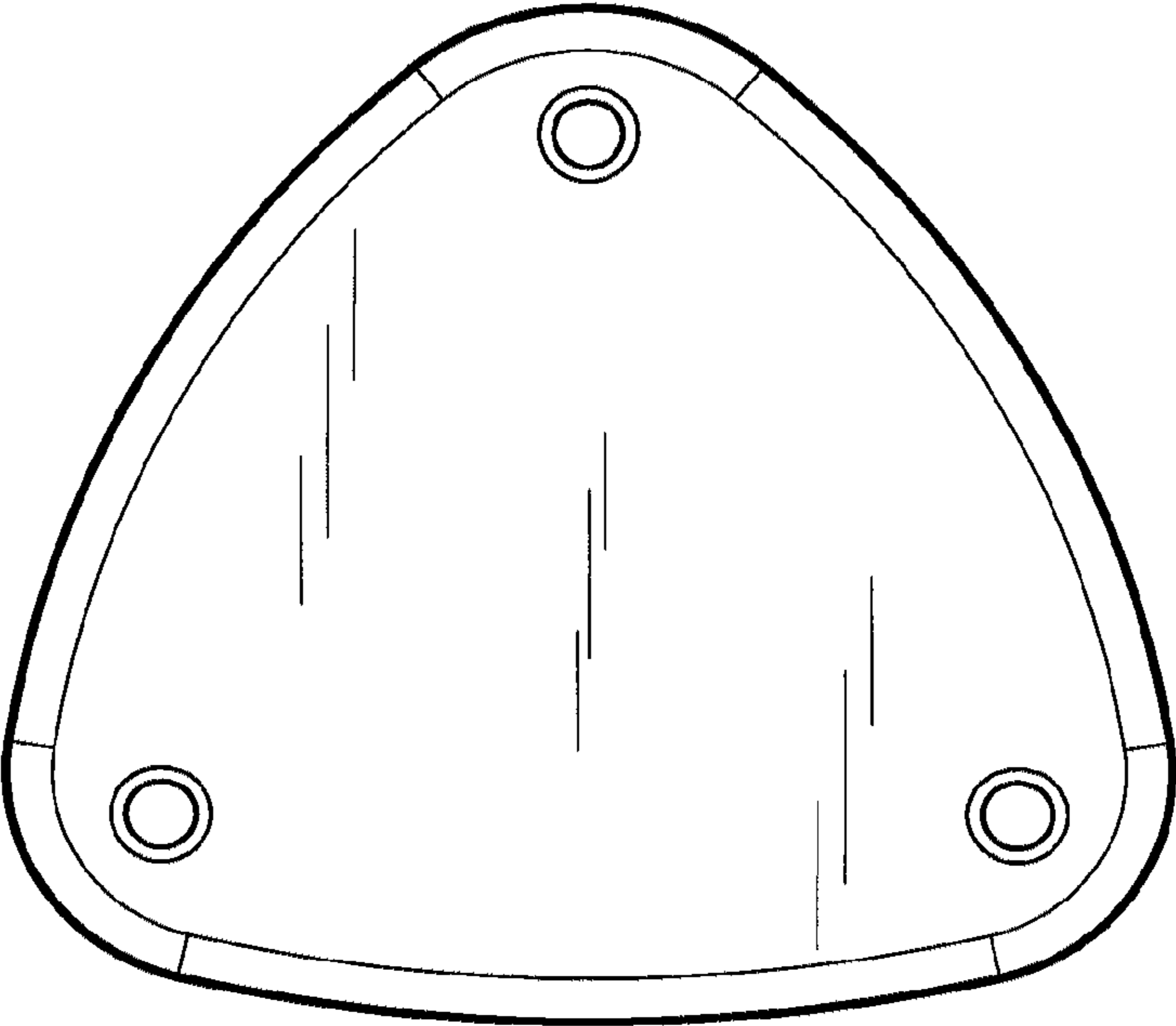


Fig. 7