



US00D671084S

(12) **United States Design Patent**
Kim et al.

(10) **Patent No.:** **US D671,084 S**

(45) **Date of Patent:** **** Nov. 20, 2012**

(54) **TELEVISION RECEIVER**

(75) Inventors: **Yeonjin Kim**, Seoul (KR); **Junki Kim**, Seoul (KR); **Eunbong Lee**, Seoul (KR); **Hanjin Jung**, Seoul (KR)

(73) Assignee: **LG Electronics Inc.**, Seoul (KR)

(**) Term: **14 Years**

(21) Appl. No.: **29/424,968**

(22) Filed: **Jun. 18, 2012**

(30) **Foreign Application Priority Data**

Dec. 28, 2011 (KR) 30-2011-0055837

(51) **LOC (9) Cl.** **14-03**

(52) **U.S. Cl.** **D14/126**

(58) **Field of Classification Search** D14/125-134, D14/239, 371, 136, 374-377, 440, 450, 448, D14/336, 342; 312/7.2; 348/836, 838, 180, 348/184, 325, 739; 341/12; 248/917-924, 248/465; 345/104, 133, 156, 168, 87, 173; 720/605, 669, 600, 655; 369/99, 197; D21/329, D21/515, 577, 622, 333, 433, 448, 452, 450, D21/331; D6/477, 479, 300; 273/148 B; 446/484, 175, 356; D10/15, 26

See application file for complete search history.

(56) **References Cited**

U.S. PATENT DOCUMENTS

D598,404 S * 8/2009 Arie et al. D14/126
D648,296 S * 11/2011 Lee et al. D14/126
D655,266 S * 3/2012 Kim D14/126

* cited by examiner

Primary Examiner — Raphael Barkai

(74) *Attorney, Agent, or Firm* — Birch, Stewart, Kolasch & Birch, LLP

(57) **CLAIM**

The ornamental design for a television receiver, as shown and described.

DESCRIPTION

FIG. 1 is a perspective view of a television receiver showing our new design;
FIG. 2 is a front view thereof;
FIG. 3 is a rear view thereof;
FIG. 4 is a left side view thereof;
FIG. 5 is a right side view thereof;
FIG. 6 is a top plan view thereof; and,
FIG. 7 is a bottom plan view thereof.

1 Claim, 6 Drawing Sheets

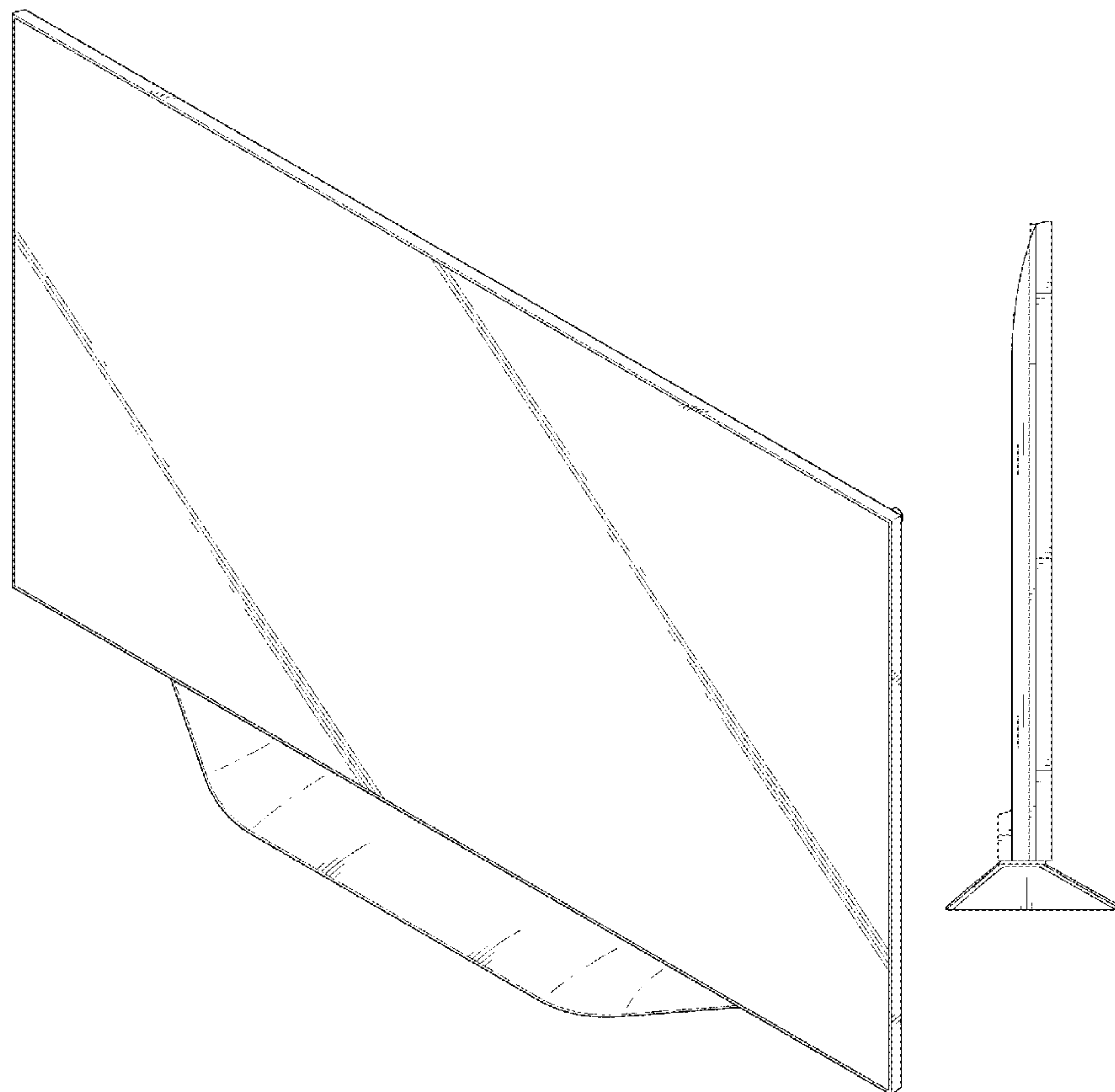


FIG. 1

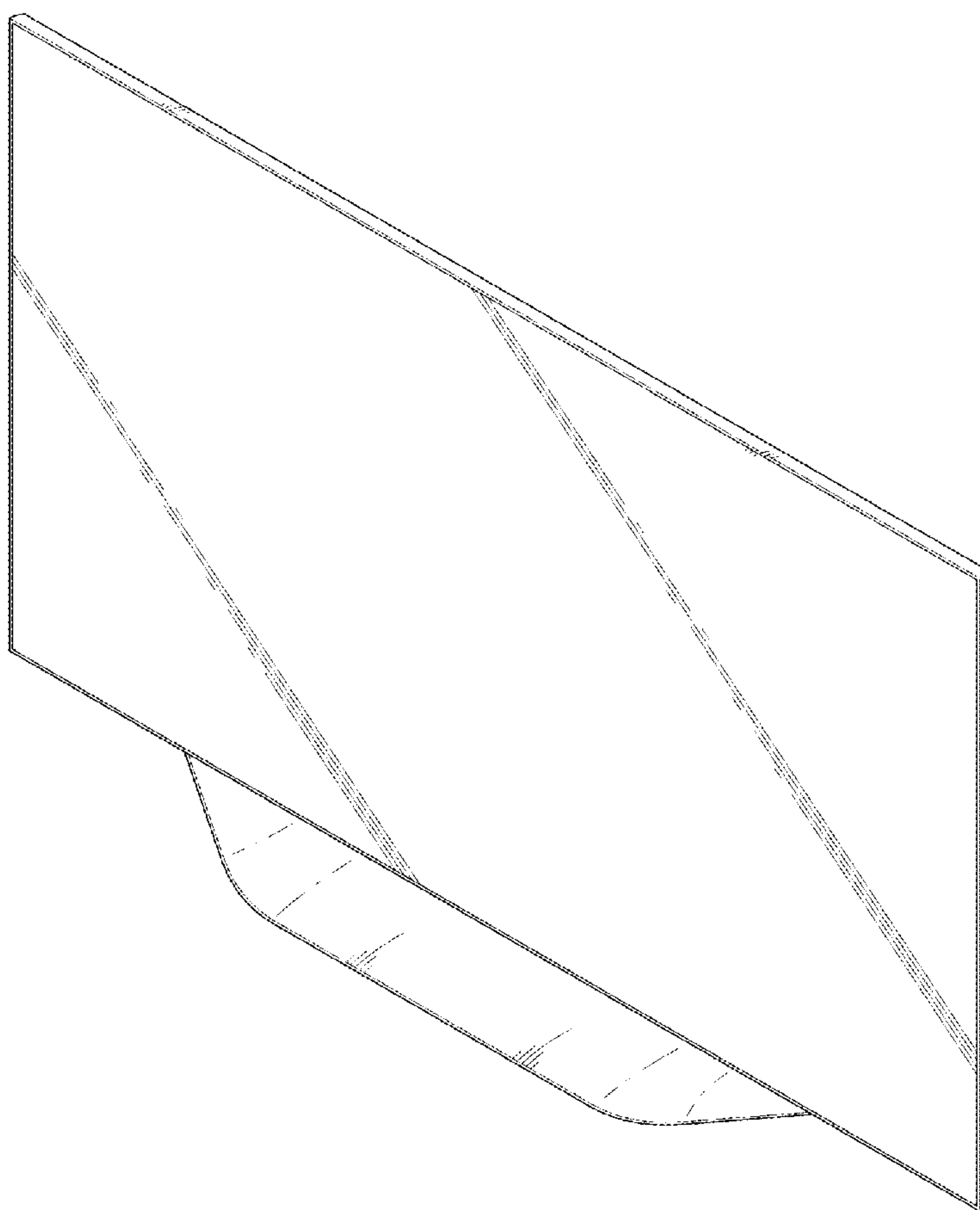


FIG. 2

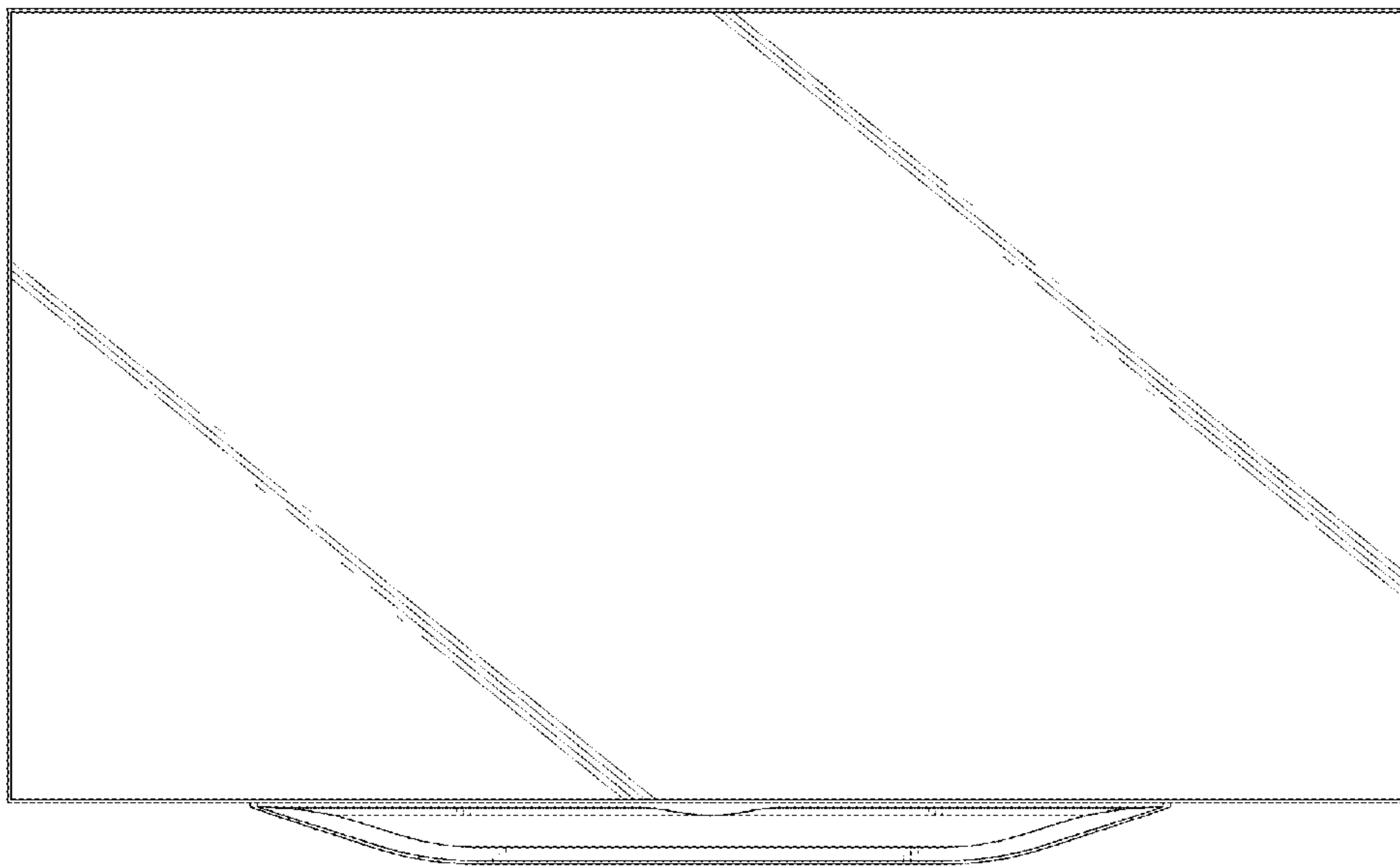


FIG. 3

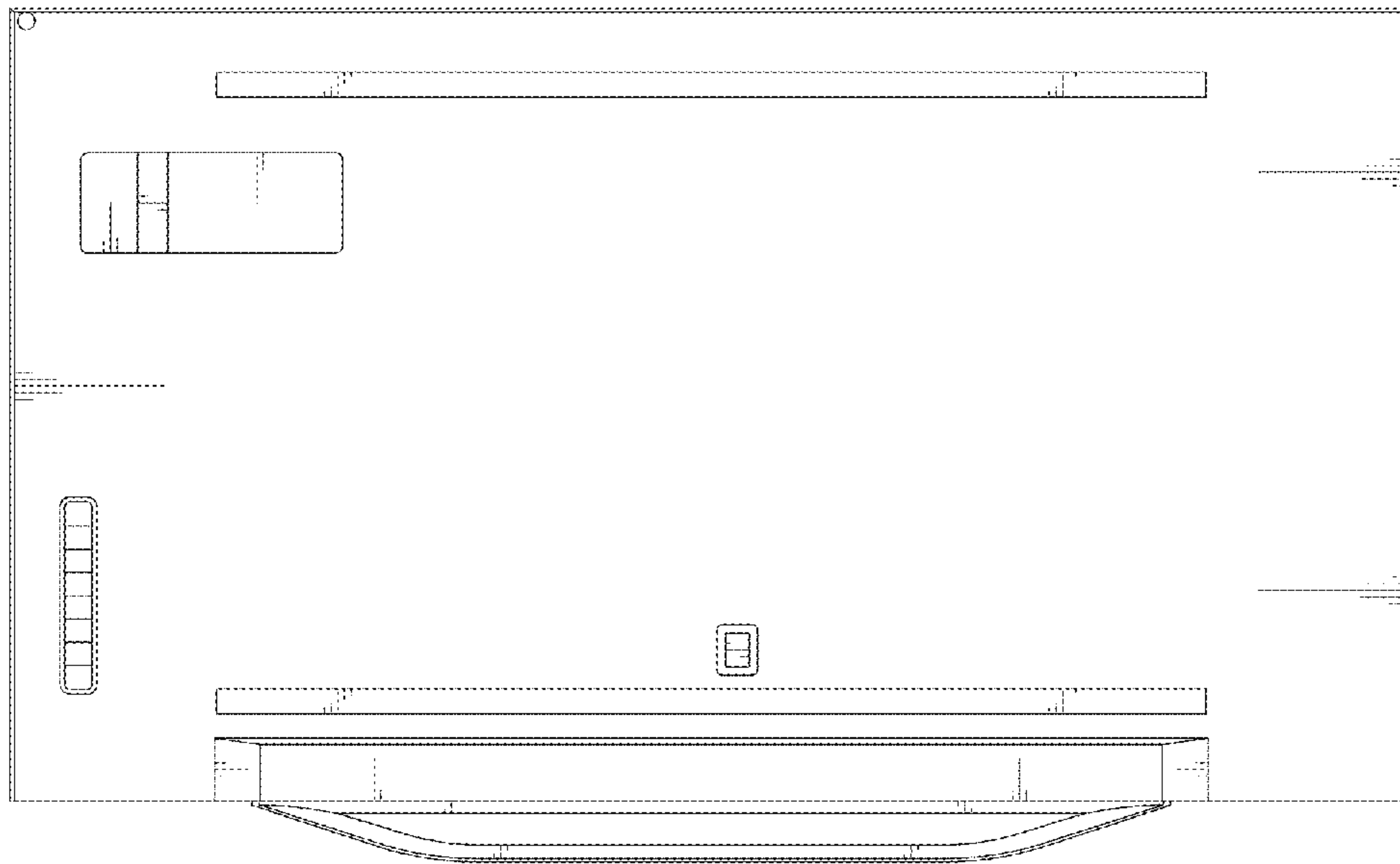


FIG. 4

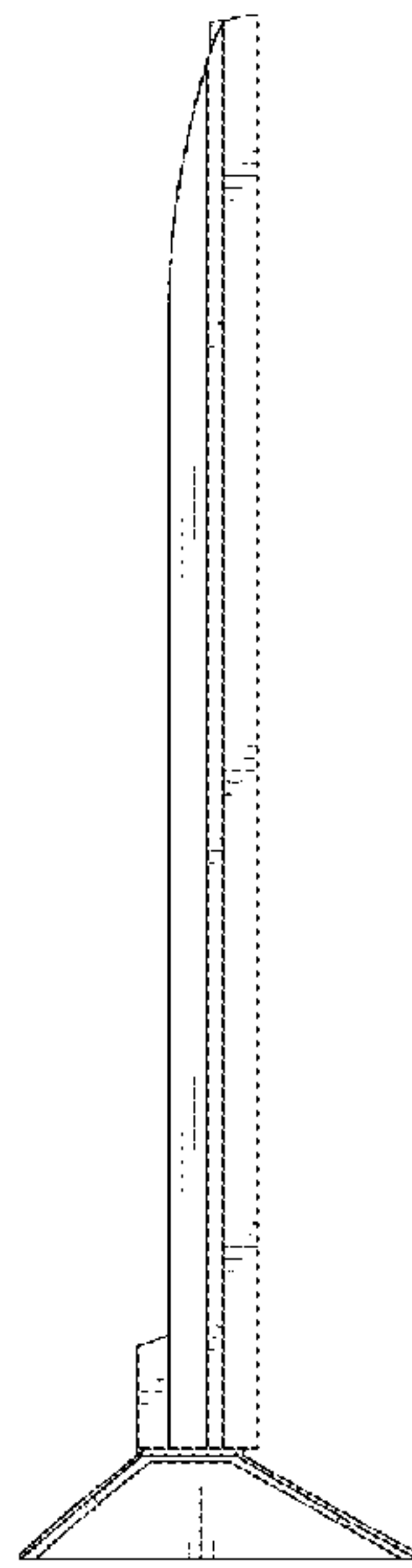


FIG. 5

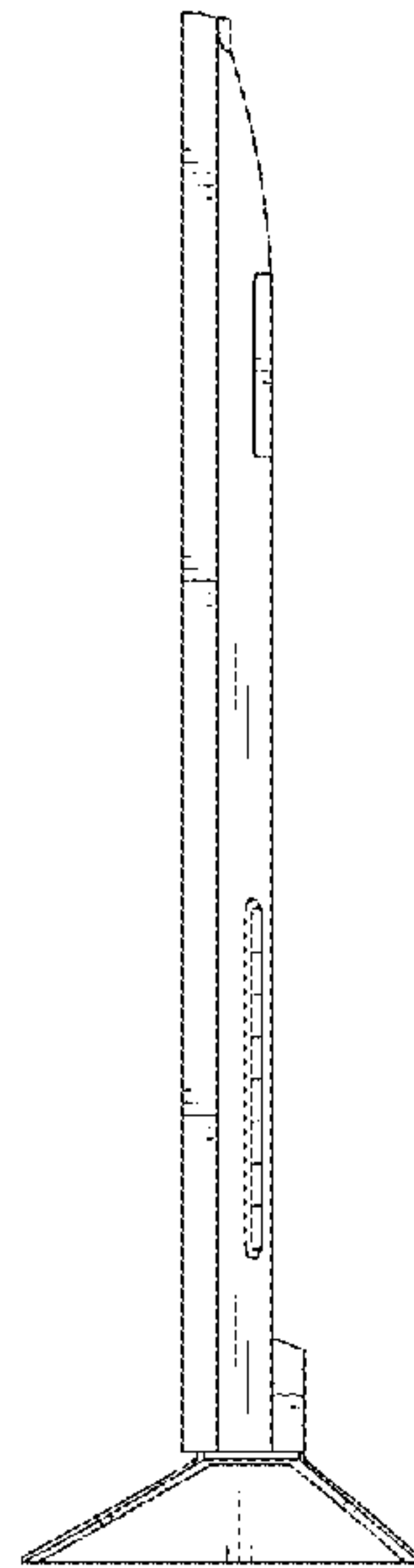


FIG. 6

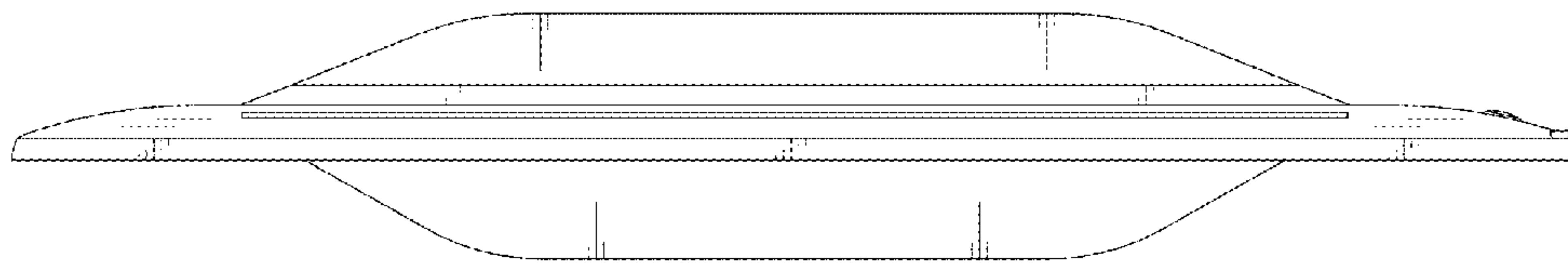


FIG. 7

