



US00D671083S

(12) **United States Design Patent**
Kim et al.

(10) **Patent No.:** **US D671,083 S**

(45) **Date of Patent:** **** Nov. 20, 2012**

(54) **OLED TELEVISION RECEIVER**

(56) **References Cited**

(75) Inventors: **Yoo Seok Kim**, Seoul (KR); **Woo Suk Park**, Jeonju-si (KR); **Hye Young Hong**, Seoul (KR); **Ji Yeon Lee**, Seongnam-si (KR)

(73) Assignee: **LG Electronics Inc.**, Seoul (KR)

(**) Term: **14 Years**

(21) Appl. No.: **29/416,198**

(22) Filed: **Mar. 20, 2012**

(30) **Foreign Application Priority Data**

Oct. 7, 2011 (KR) 30-2011-0041681

(51) **LOC (9) Cl.** **14-03**

(52) **U.S. Cl.** **D14/126**

(58) **Field of Classification Search** D14/125-134, D14/239, 371, 136, 374-377, 440, 450, 448, D14/336, 342; 312/7.2; 348/836, 838, 180, 348/184, 325, 739; 341/12; 248/917-924, 248/465; 345/104, 133, 156, 168, 87, 173; 720/605, 669, 600, 655; 369/99, 197; D21/329, D21/515, 577, 622, 333, 433, 448, 452, 450, D21/331; D6/477, 479, 300; 273/148 B; 446/484, 175, 356; D10/15, 26

See application file for complete search history.

U.S. PATENT DOCUMENTS

4,329,800	A *	5/1982	Shuman	40/606.14
D346,286	S *	4/1994	Caponigro et al.	D6/419
D455,131	S *	4/2002	Reynaga et al.	D14/126
D545,776	S *	7/2007	Kwon	D14/126
D597,975	S *	8/2009	Ohno	D14/126
D626,101	S *	10/2010	Kim et al.	D14/126
D635,942	S *	4/2011	Kim et al.	D14/126
D637,169	S *	5/2011	Kim et al.	D14/126
2003/0058372	A1 *	3/2003	Williams et al.	348/836

* cited by examiner

Primary Examiner — Raphael Barkai

(74) *Attorney, Agent, or Firm* — Morgan, Lewis & Bockius LLP

(57) **CLAIM**

We claim the ornamental design for an OLED television receiver, as shown and described.

DESCRIPTION

FIG. 1 is a perspective view of an OLED television receiver showing our new design;

FIG. 2 is a front elevation view thereof;

FIG. 3 is a rear elevation view thereof;

FIG. 4 is a left-side elevation view thereof;

FIG. 5 is a right-side elevation view thereof;

FIG. 6 is a top plan view thereof; and,

FIG. 7 is a bottom plan view thereof.

1 Claim, 5 Drawing Sheets

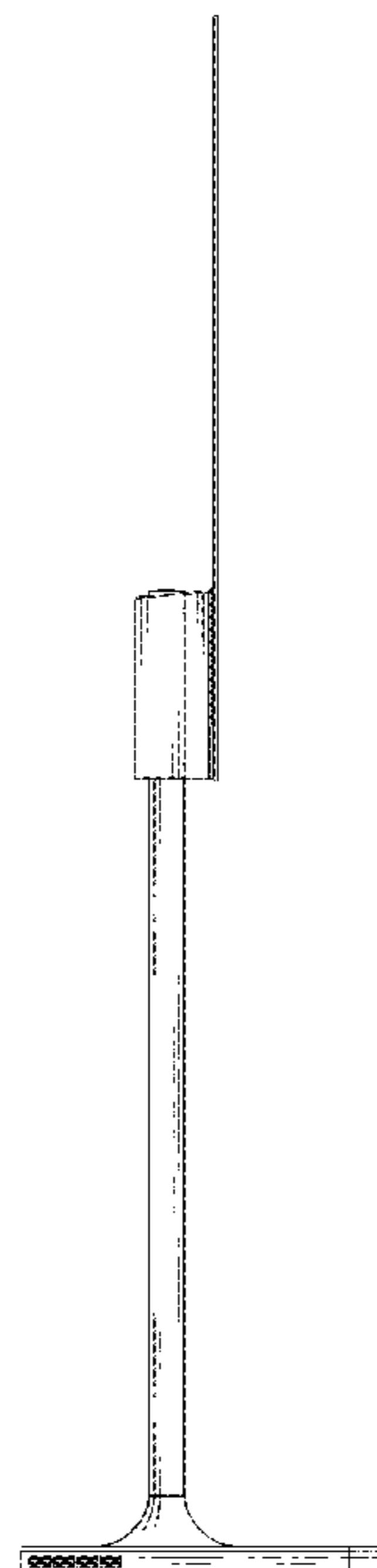
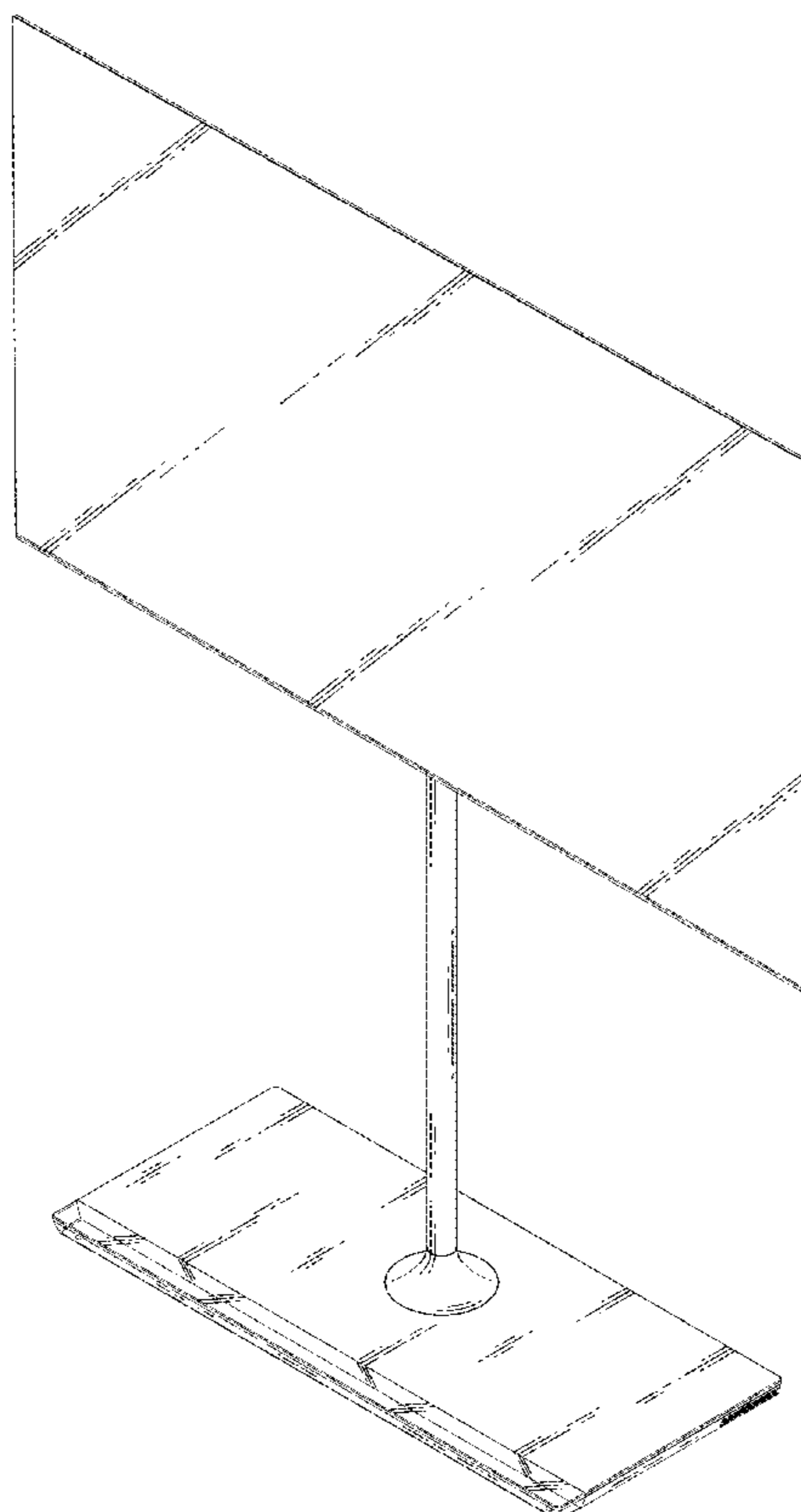


FIG. 1

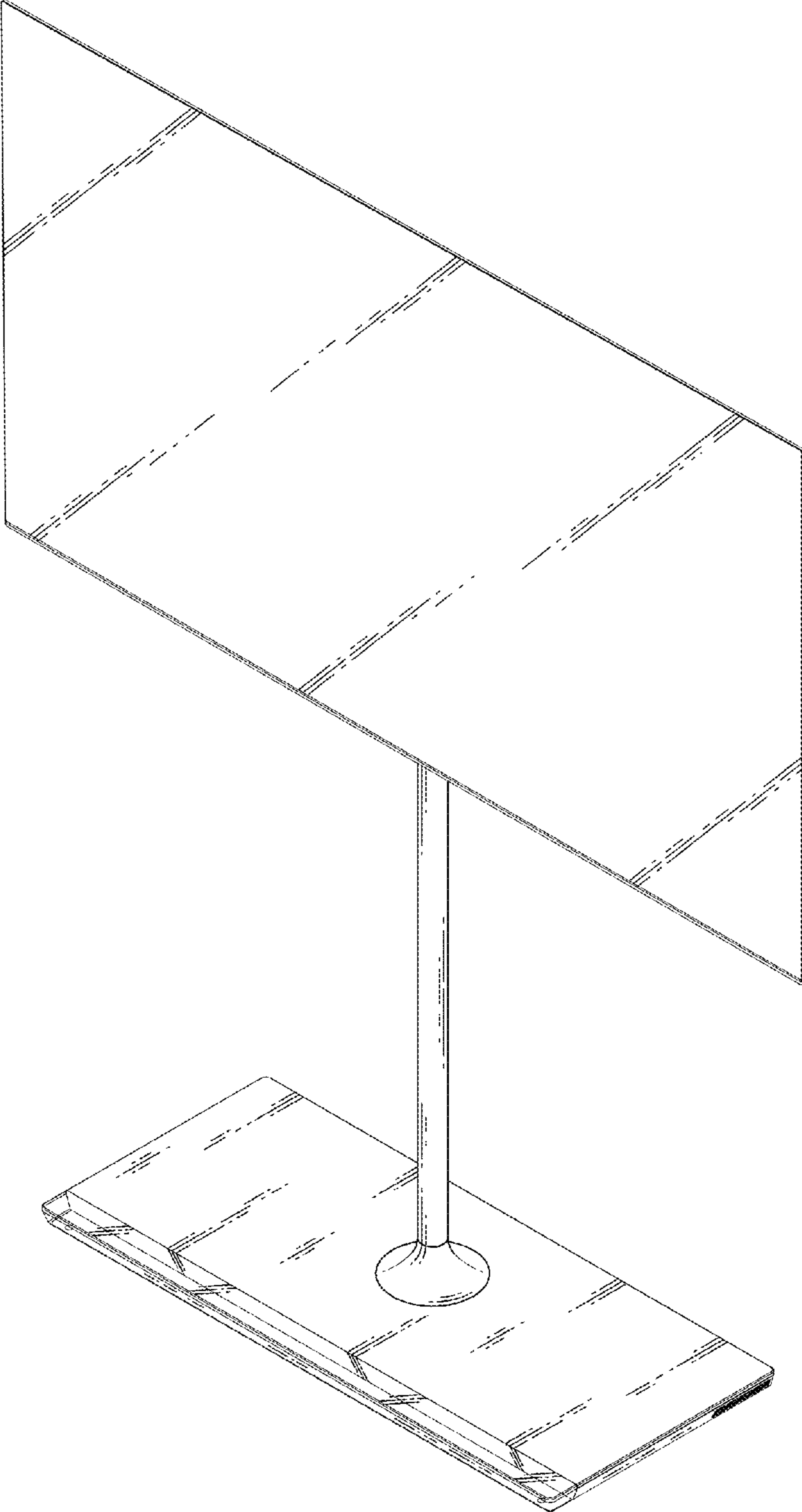


FIG.2

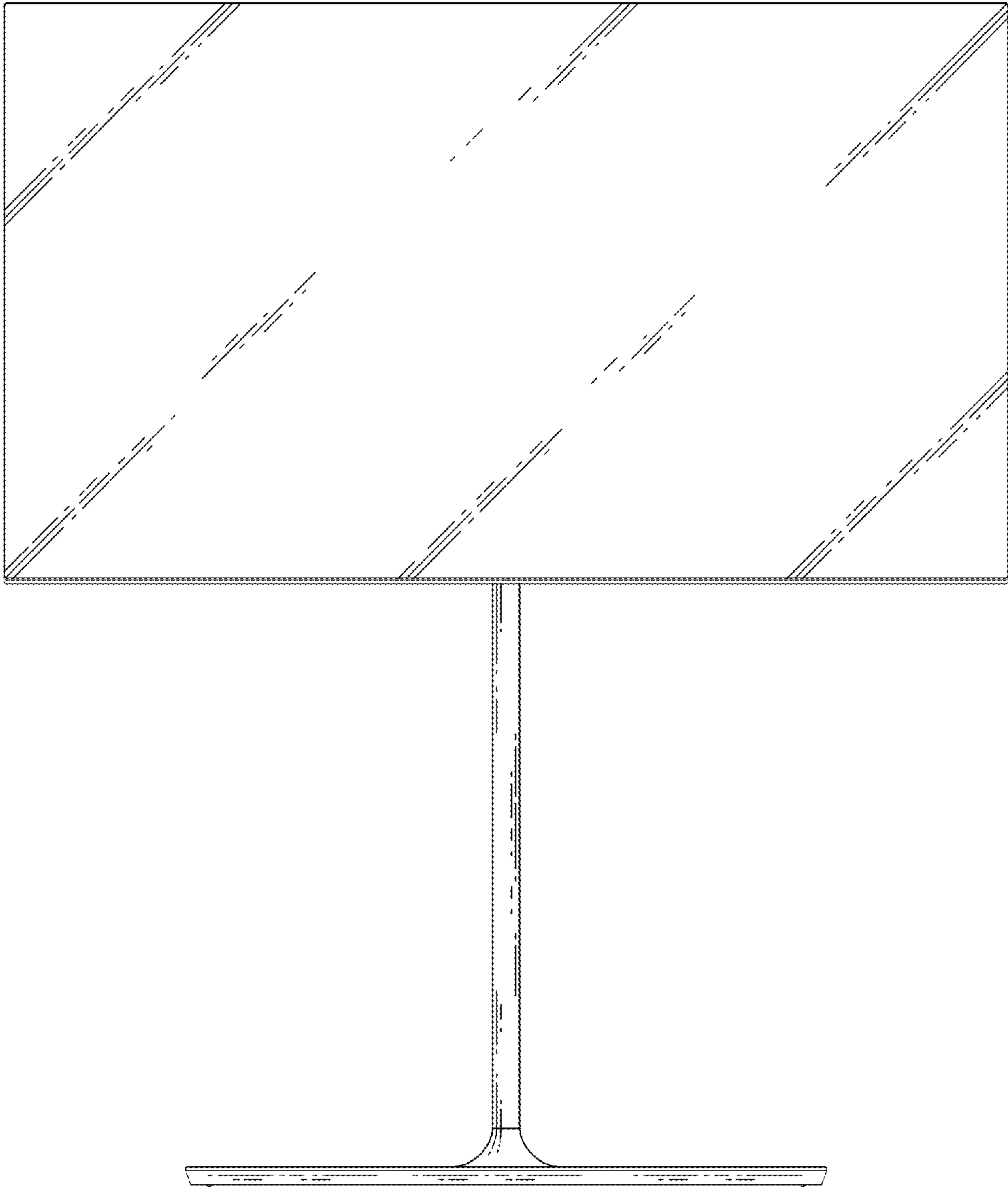


FIG. 3

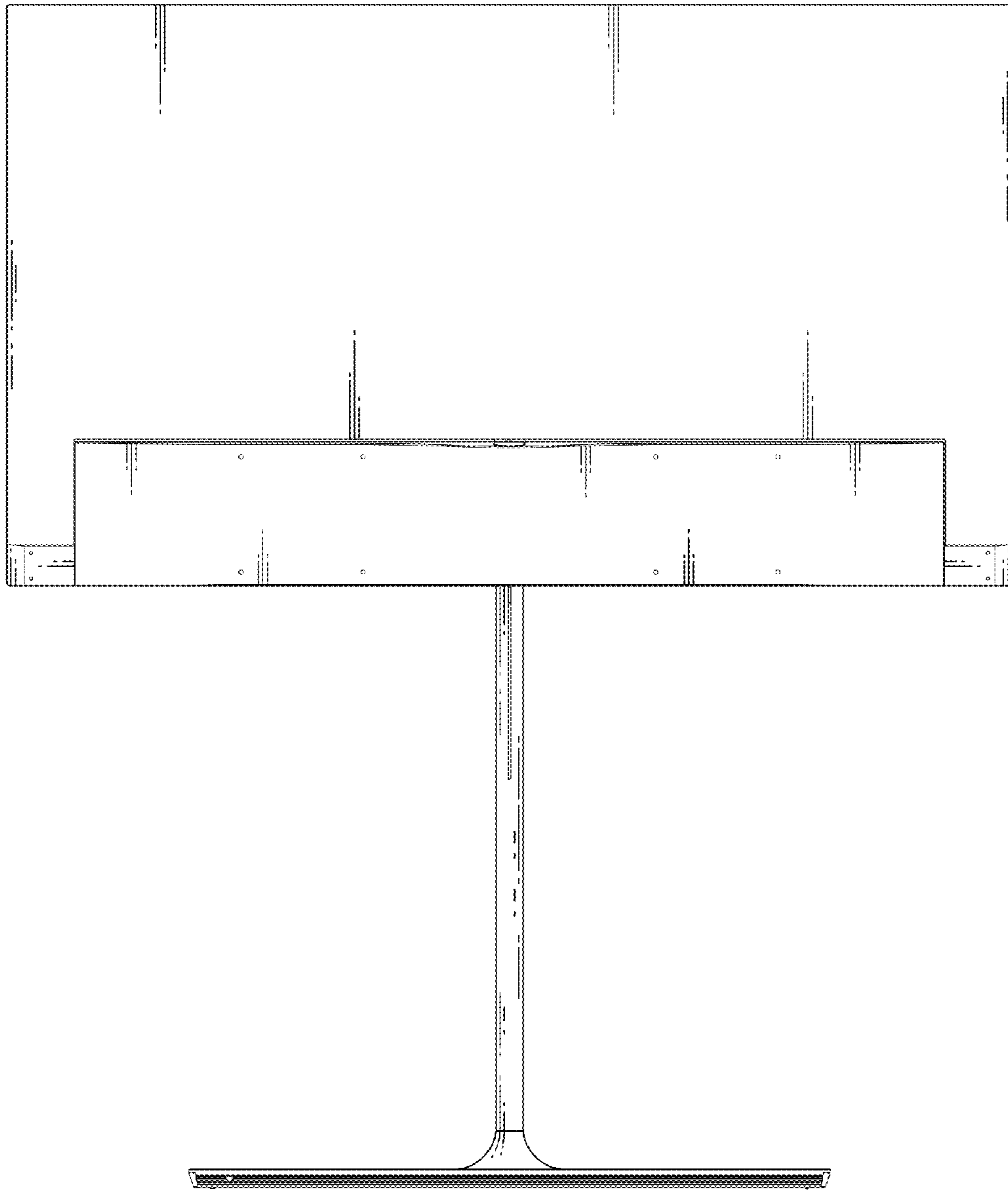


FIG. 4

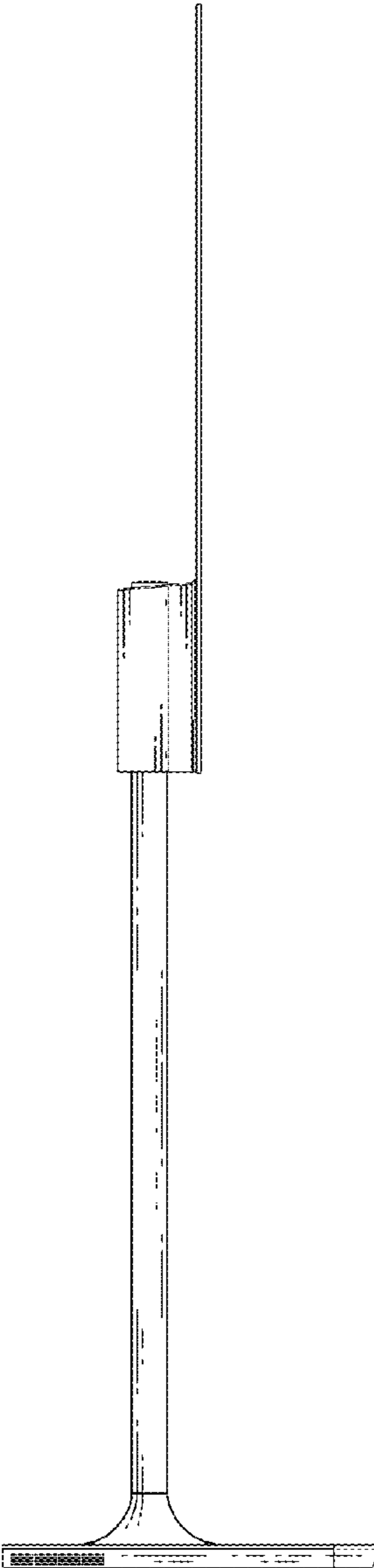


FIG. 5

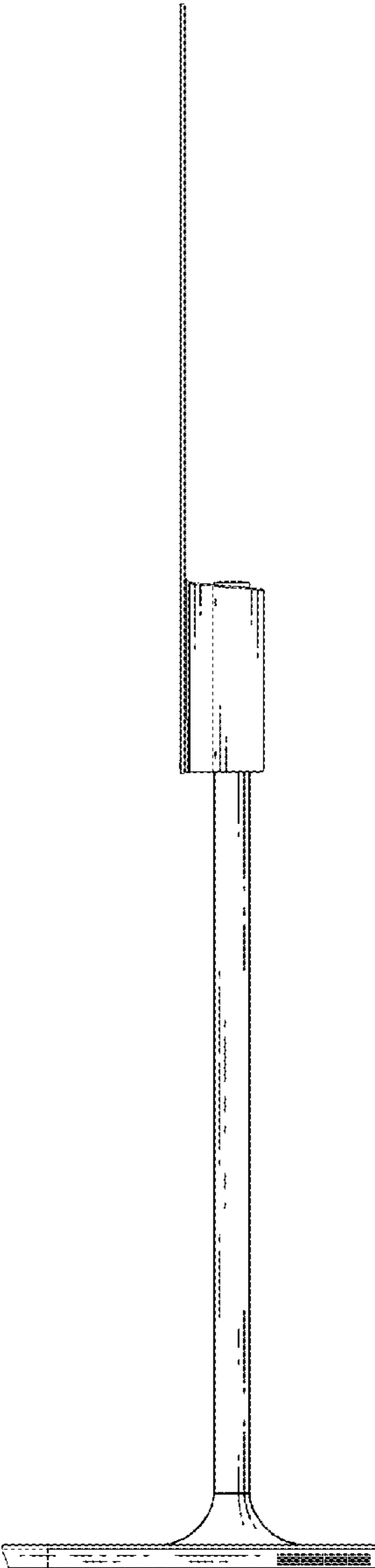


FIG. 6

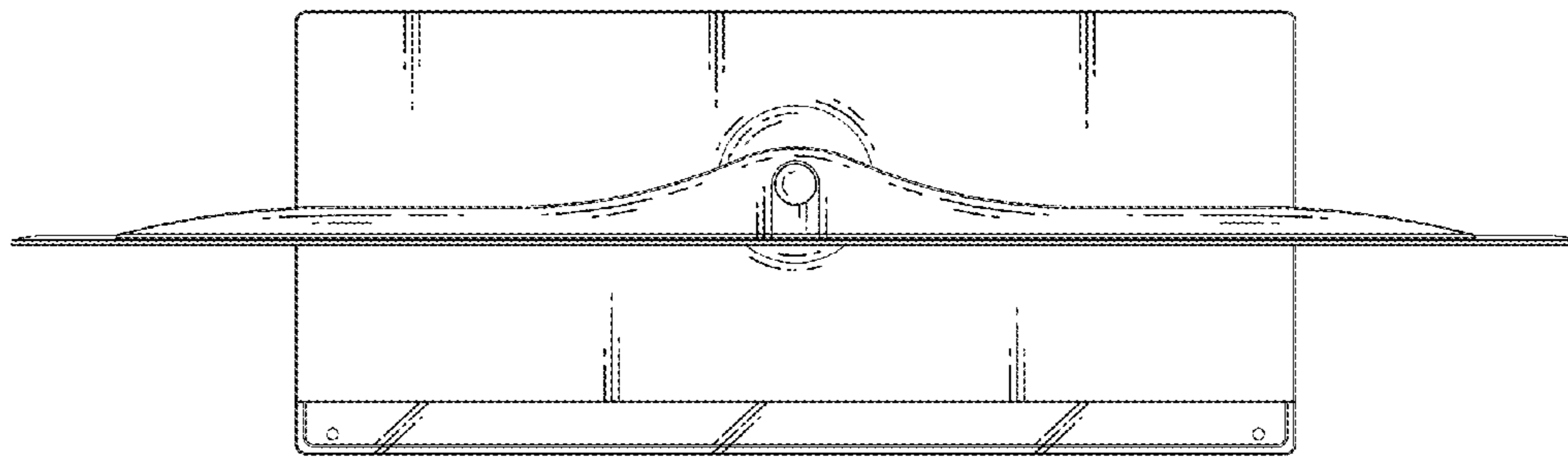


FIG. 7

