



US00D671082S

(12) **United States Design Patent**
Chang

(10) **Patent No.:** **US D671,082 S**

(45) **Date of Patent:** **** *Nov. 20, 2012**

(54) **LIGHT EMITTING DIODE PACKAGE**

(75) **Inventor:** **Cheng-Ping Chang**, Hsin Chu County (TW)

(73) **Assignee:** **Lextar Electronics Corp.**

(*) **Notice:** This patent is subject to a terminal disclaimer.

(**) **Term:** **14 Years**

(21) **Appl. No.:** **29/406,829**

(22) **Filed:** **Nov. 18, 2011**

(30) **Foreign Application Priority Data**

Jun. 23, 2011 (TW) 100303160

(51) **LOC (9) Cl.** **13-03**

(52) **U.S. Cl.** **D13/180**

(58) **Field of Classification Search** D13/180;
D26/2; 257/79, 80, 81, 88, 89, 95, 98, 99,
257/100, E33.058; 313/483, 498, 500; 362/555,
362/800

See application file for complete search history.

(56) **References Cited**

U.S. PATENT DOCUMENTS

D578,084	S	*	10/2008	Kobayakawa	D13/180
D608,309	S	*	1/2010	Kim	D13/180
D628,541	S	*	12/2010	Lin	D13/180
D632,267	S	*	2/2011	Chen et al.	D13/180
D640,995	S	*	7/2011	Lin et al.	D13/180
D640,996	S	*	7/2011	Lee et al.	D13/180
2011/0127566	A1	*	6/2011	Yoon	257/99

* cited by examiner

Primary Examiner — Selina Sikder
(74) *Attorney, Agent, or Firm* — Schmeiser Olsen & Watts LLP

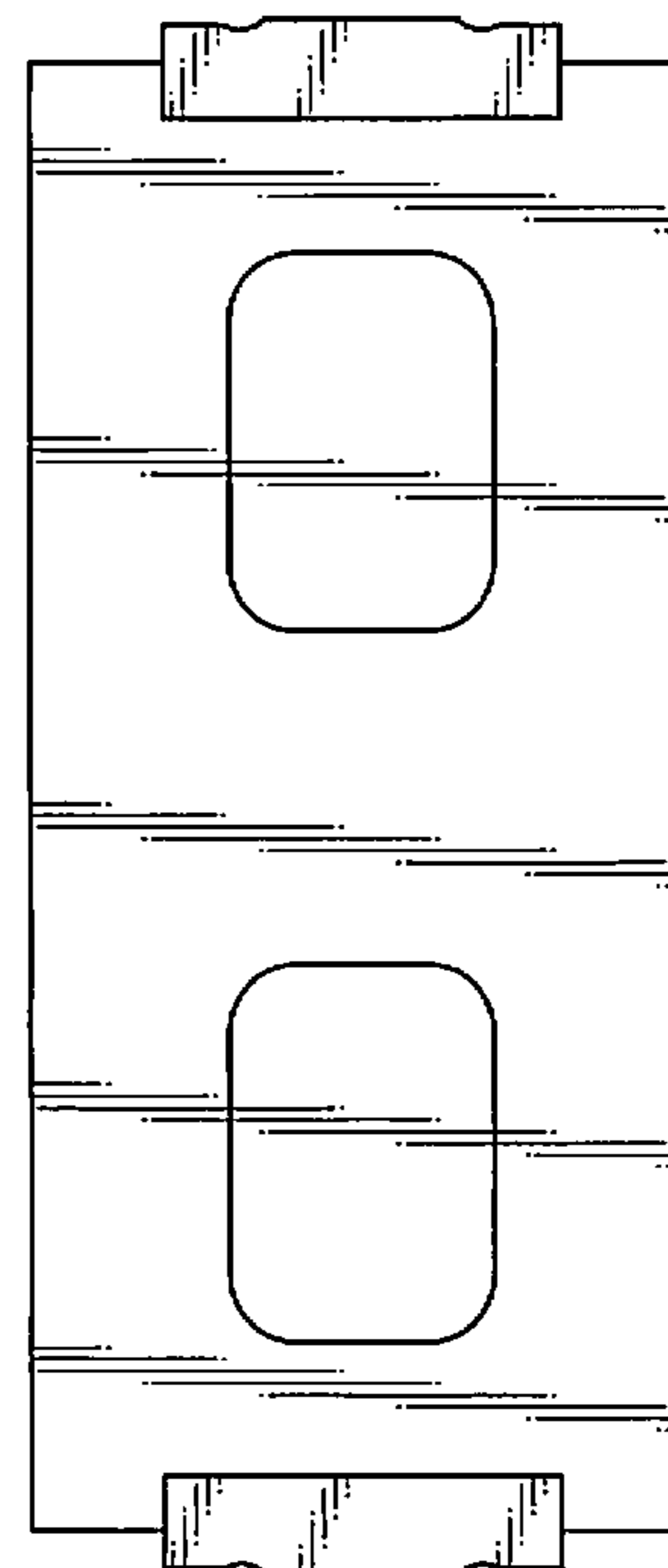
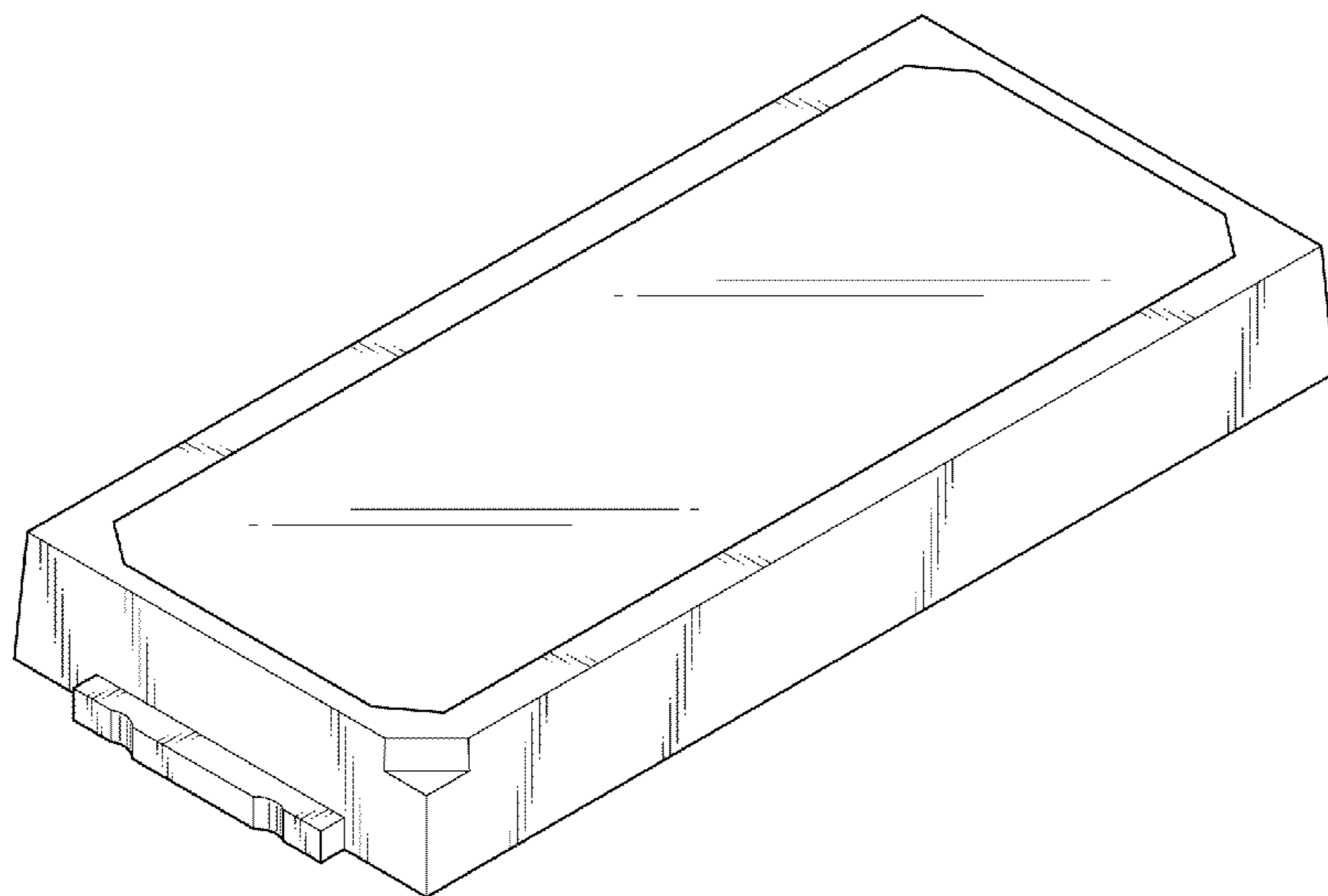
(57) **CLAIM**

I claim the ornamental design for light emitting diode package, as shown and described.

DESCRIPTION

FIG. 1 is a front perspective view of light emitting diode package showing the new design;
FIG. 2 is a front elevational view thereof;
FIG. 3 is a rear elevational view thereof;
FIG. 4 is a left side elevational view thereof;
FIG. 5 is a right side elevational view thereof;
FIG. 6 is a top plan view thereof; and,
FIG. 7 is a bottom plan view thereof.

1 Claim, 7 Drawing Sheets



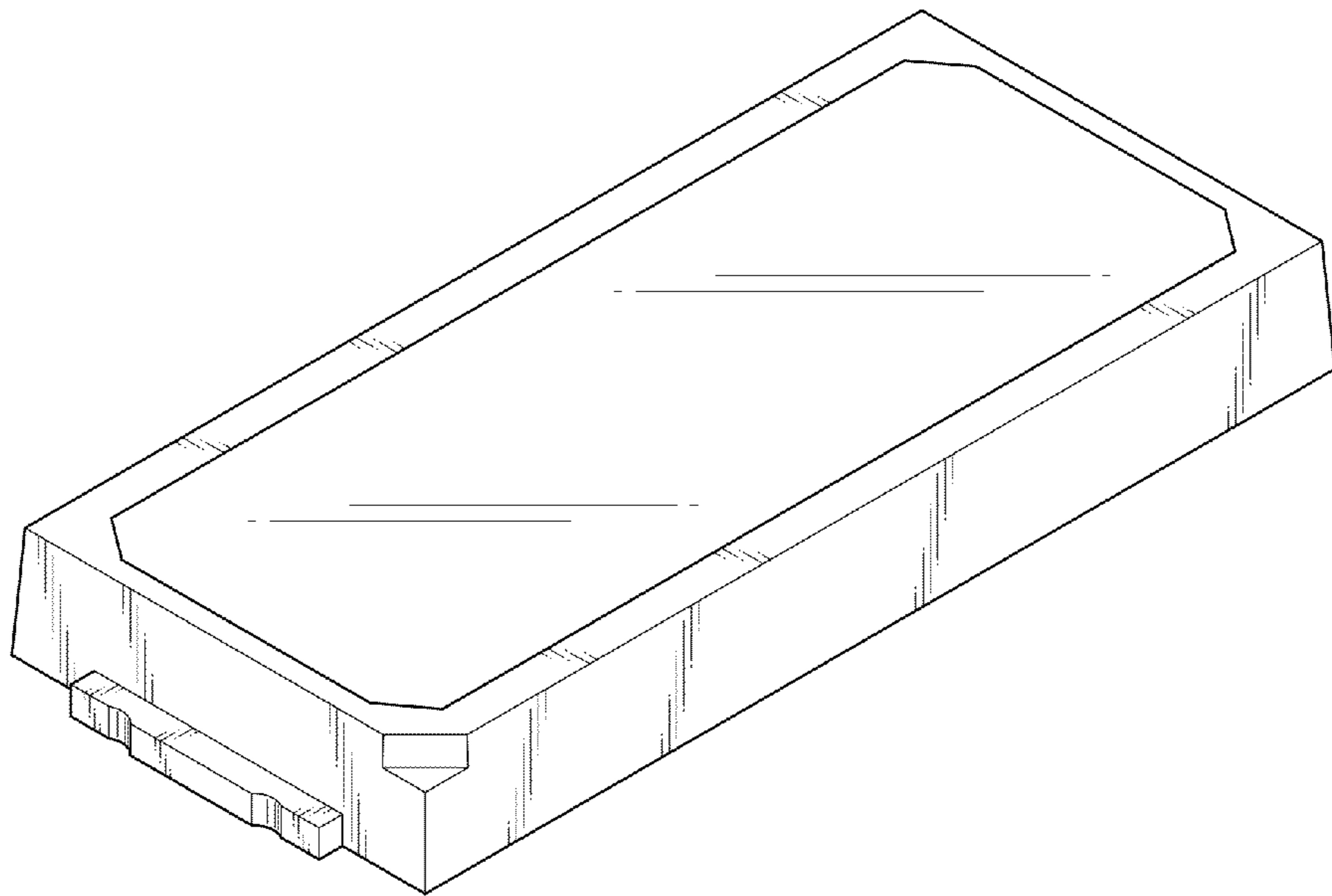


FIG.1

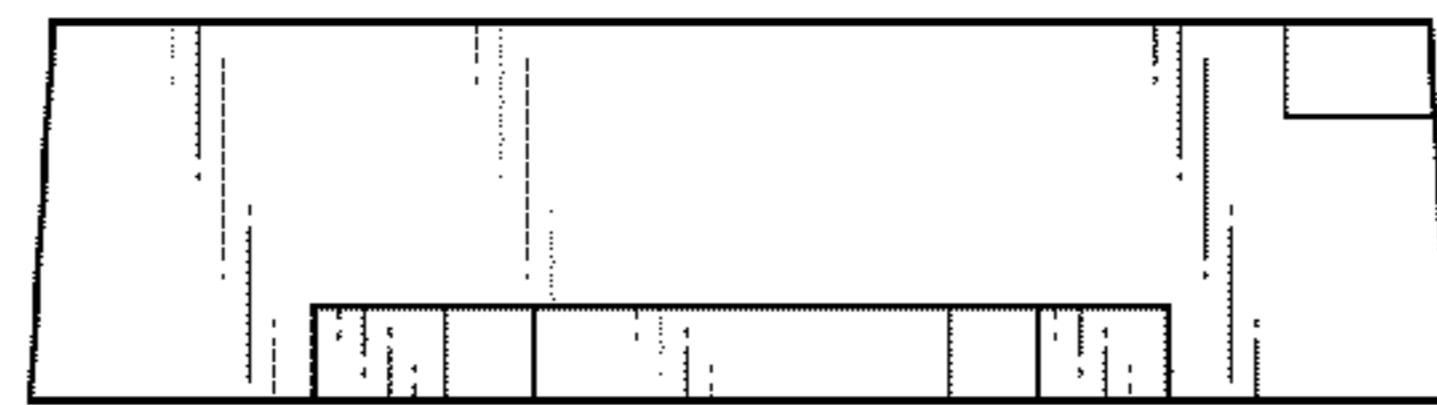


FIG.2

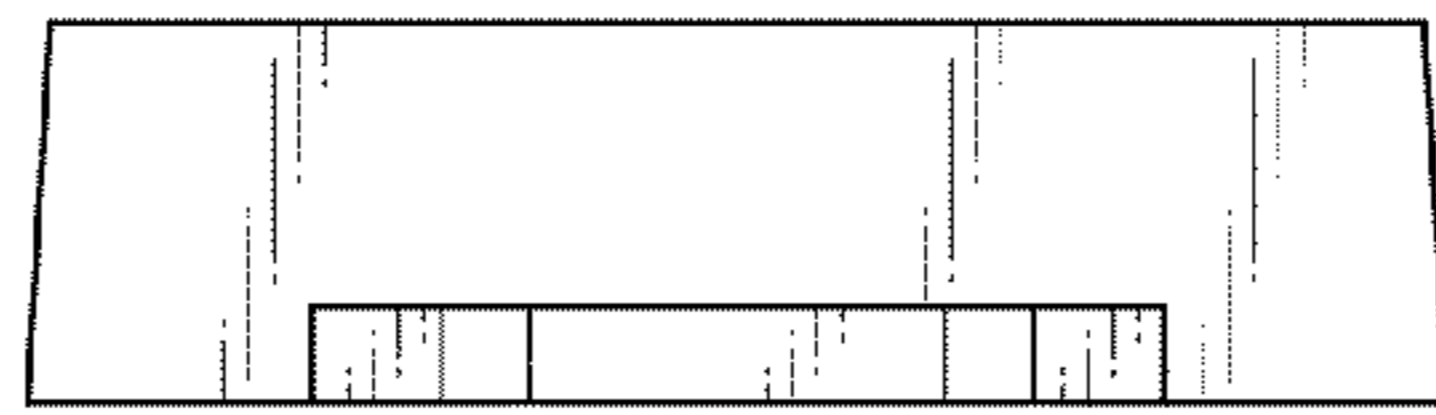


FIG.3

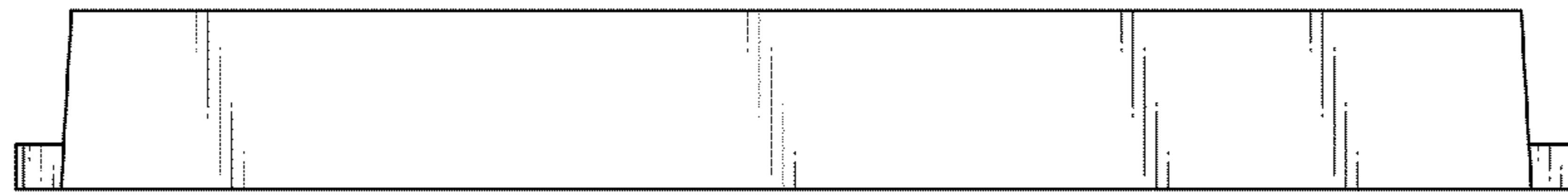


FIG.4

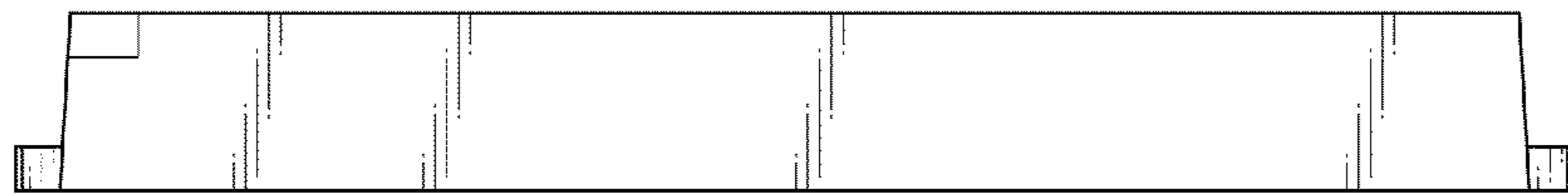


FIG.5

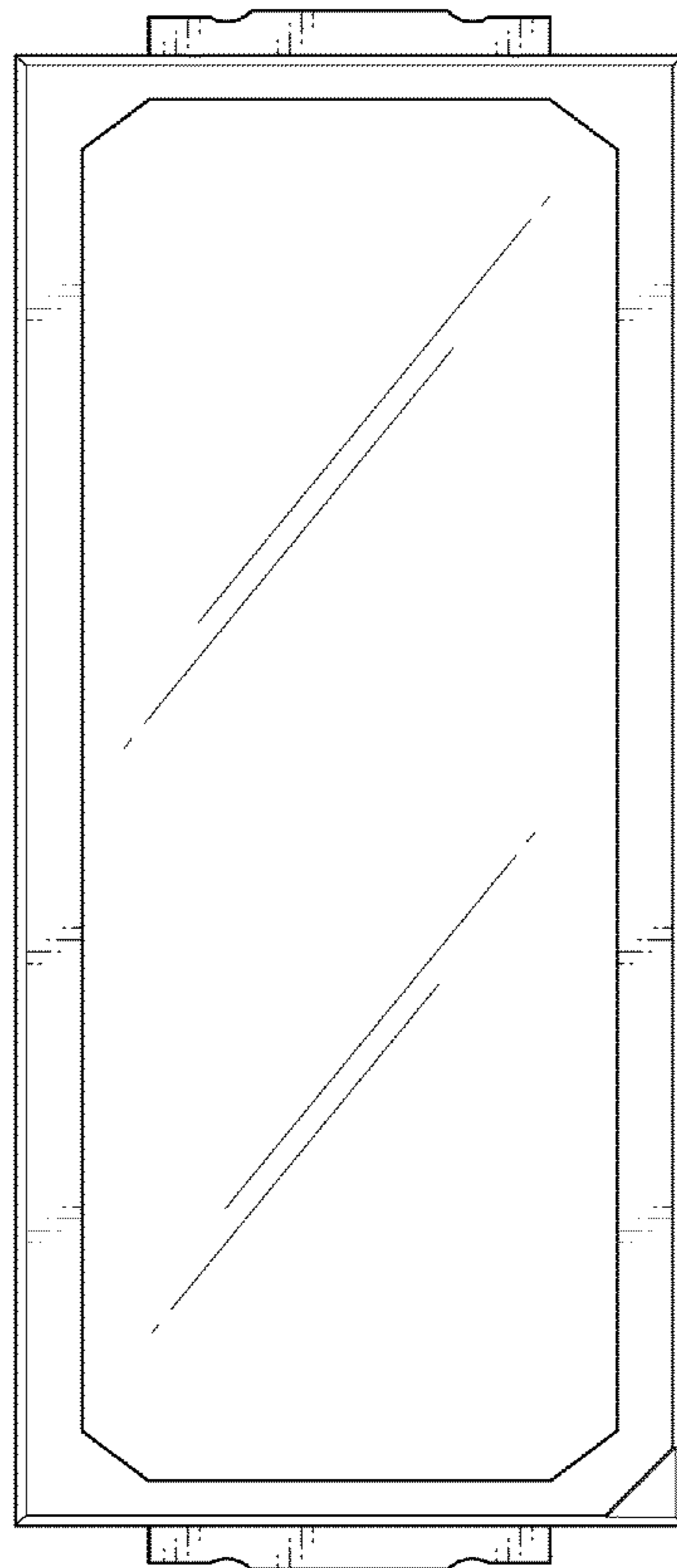


FIG.6

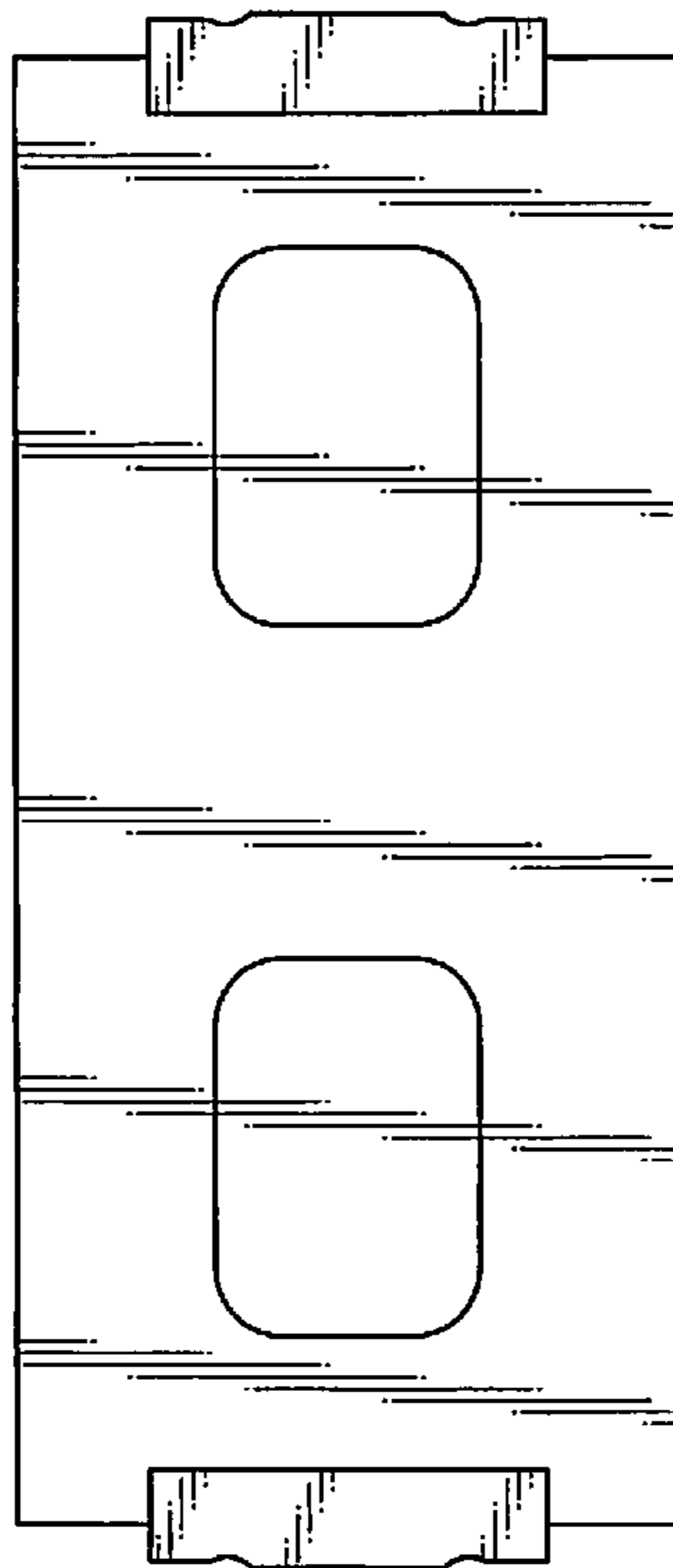


FIG.7