



US00D671080S

(12) **United States Design Patent**  
**Andoh et al.**

(10) **Patent No.:** **US D671,080 S**  
(45) **Date of Patent:** **\*\* Nov. 20, 2012**

(54) **FUSE**  
(75) Inventors: **Hideki Andoh**, Gifu-ken (JP); **Takeshi Yamakawa**, Gifu-ken (JP)  
(73) Assignee: **Pacific Engineering Corp.**, Gifu-ken (JP)

4,998,086 A \* 3/1991 Kourinsky et al. .... 337/255  
5,668,522 A \* 9/1997 Kondo et al. .... 337/198  
6,452,474 B1 \* 9/2002 Oh ..... 337/278  
6,545,585 B2 \* 4/2003 Endo et al. .... 337/260  
6,556,121 B2 \* 4/2003 Endo et al. .... 337/260  
D575,745 S 8/2008 Beckert  
D575,746 S 8/2008 Bold  
8,077,007 B2 \* 12/2011 Urrea et al. .... 337/161

(\*\*) Term: **14 Years**  
(21) Appl. No.: **29/402,173**  
(22) Filed: **Sep. 21, 2011**

**FOREIGN PATENT DOCUMENTS**

JP 819207 9/1991  
JP 7-11745 2/1995  
JP 1139245 4/2002

\* cited by examiner

(30) **Foreign Application Priority Data**  
Apr. 7, 2011 (JP) ..... 2011-008029  
(51) **LOC (9) Cl.** ..... **13-03**  
(52) **U.S. Cl.** ..... **D13/161**  
(58) **Field of Classification Search** ..... D13/133,  
D13/146, 147, 153, 154, 160, 161, 184, 199;  
439/606, 638, 668, 669, 701, 740; D3/215,  
D3/218; D14/188, 226, 251, 256, 496, 217,  
D14/223  
See application file for complete search history.

*Primary Examiner* — Thomas Johannes  
(74) *Attorney, Agent, or Firm* — Patterson Thuent  
Christensen Pedersen, P.A.

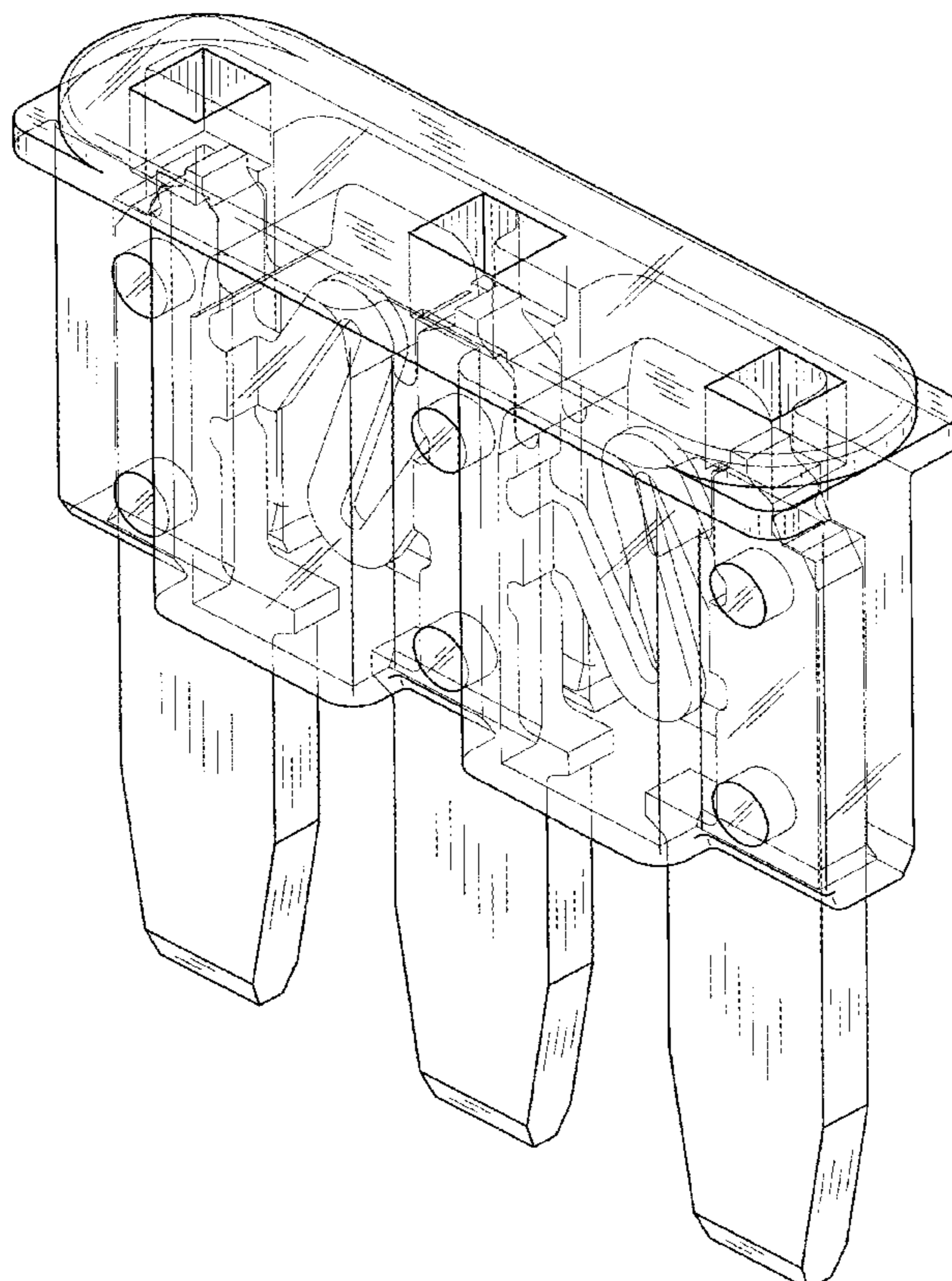
(57) **CLAIM**  
The ornamental design for a fuse, as shown and described.

**DESCRIPTION**

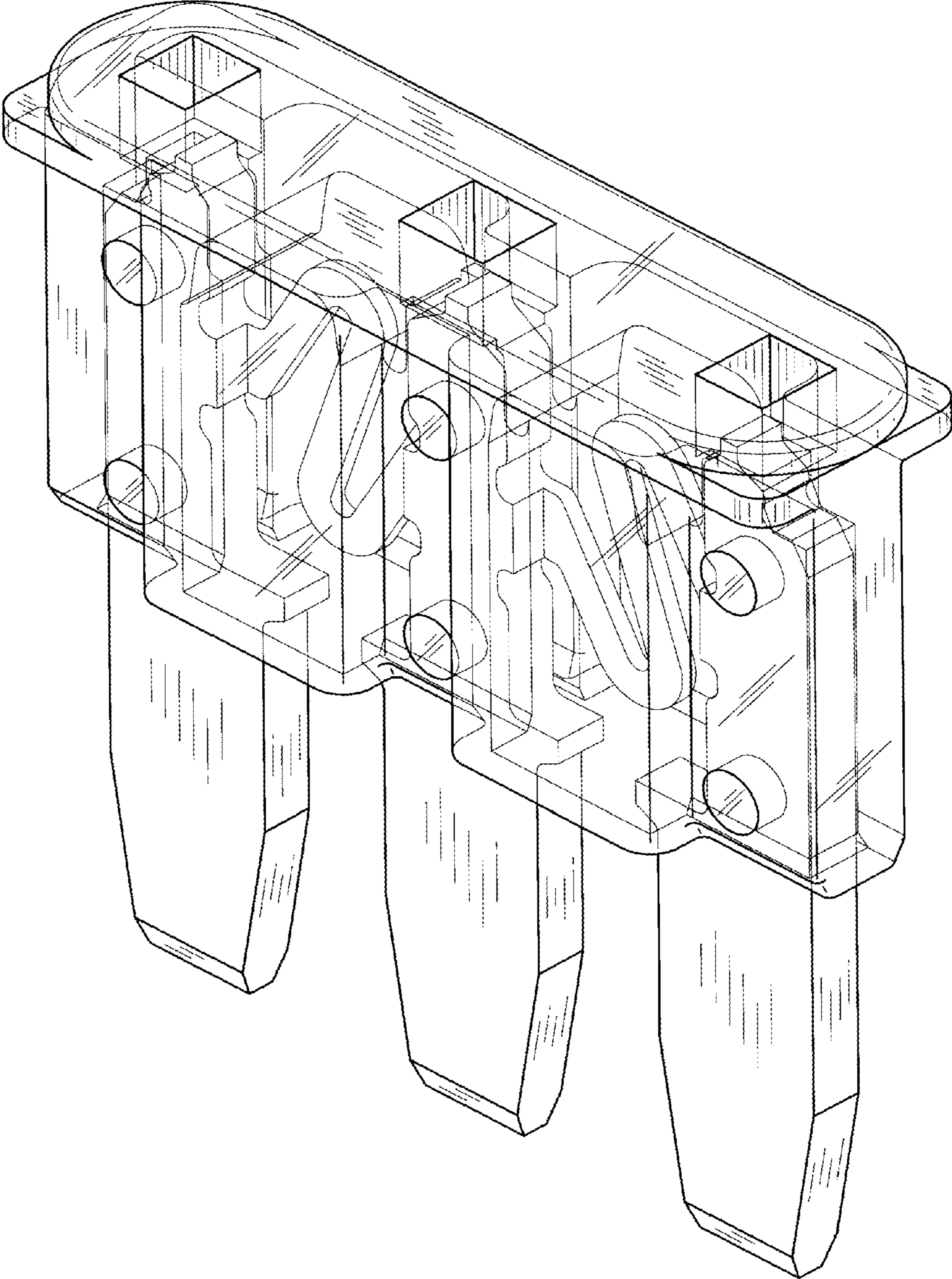
FIG. 1 is a perspective view of a fuse showing our new design;  
FIG. 2 is a front view thereof, the rear view being identical to  
the front view;  
FIG. 3 is a top plan view thereof;  
FIG. 4 is a bottom plan view thereof; and,  
FIG. 5 is a right side view thereof, the left side view being  
identical to the right side view.

(56) **References Cited**  
**U.S. PATENT DOCUMENTS**  
4,604,602 A \* 8/1986 Borzoni ..... 337/264  
4,635,023 A \* 1/1987 Oh ..... 337/163

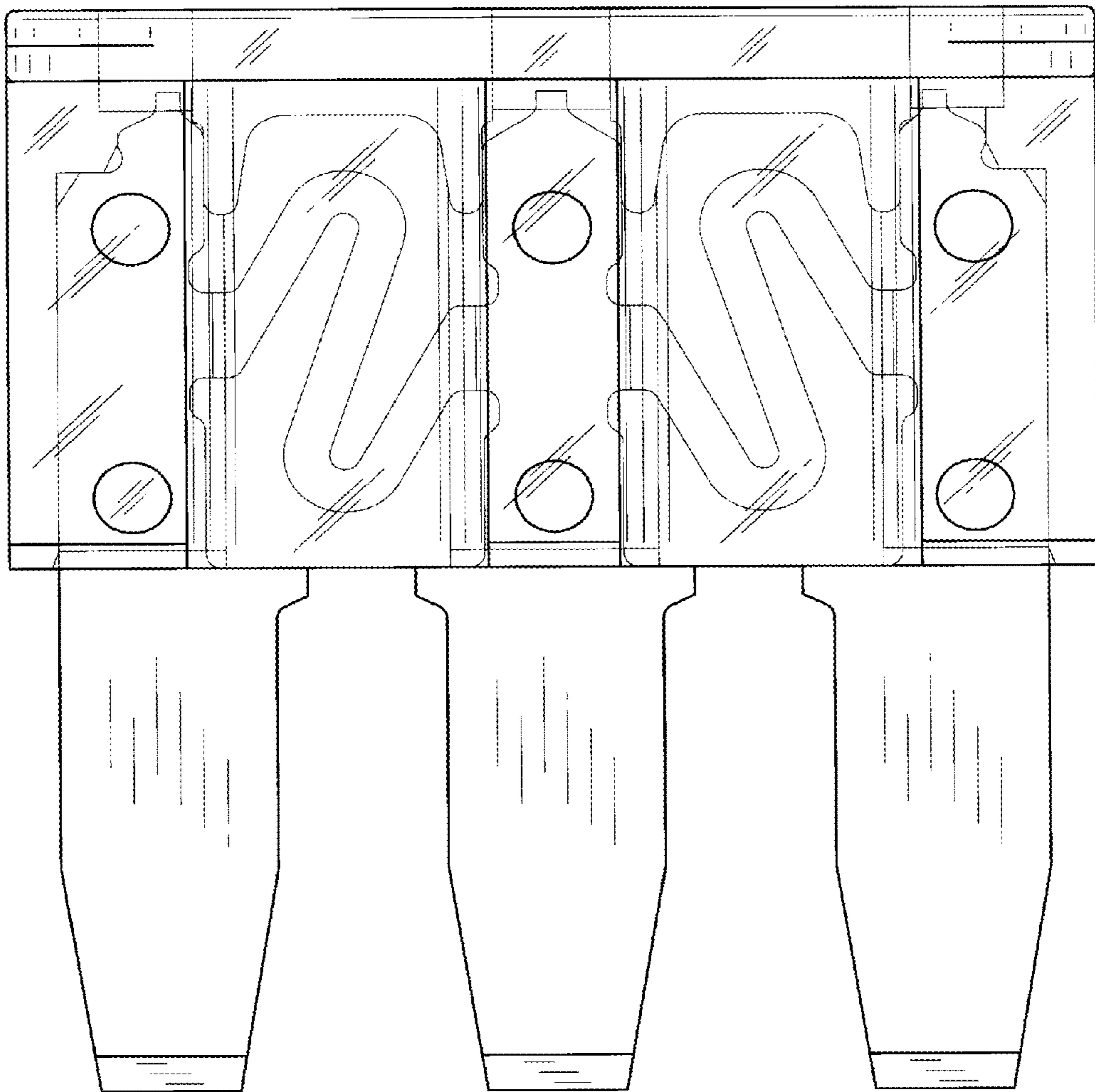
**1 Claim, 4 Drawing Sheets**



**Fig. 1**

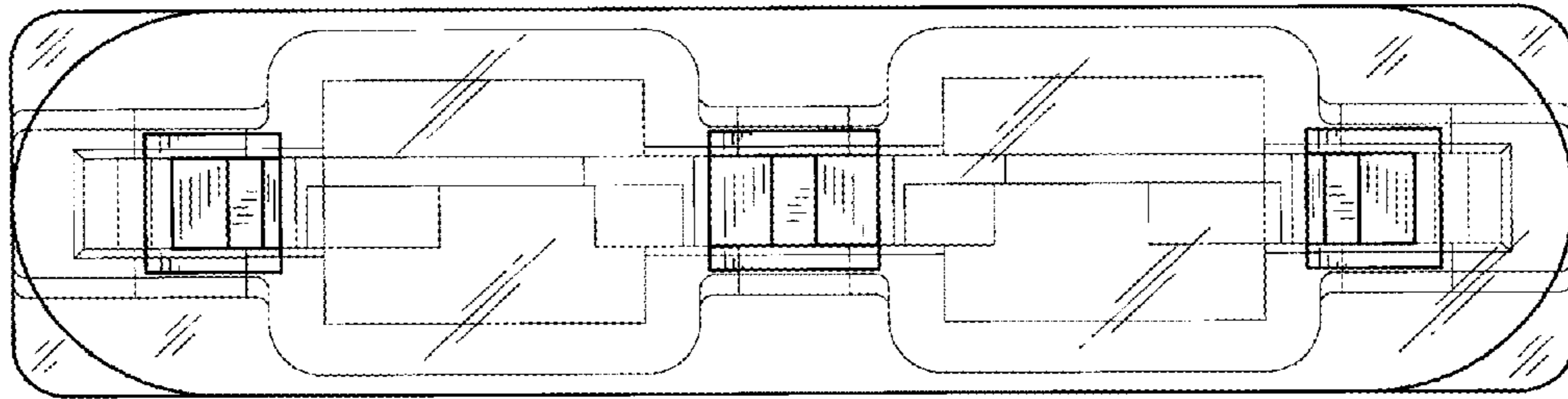


**Fig. 2**

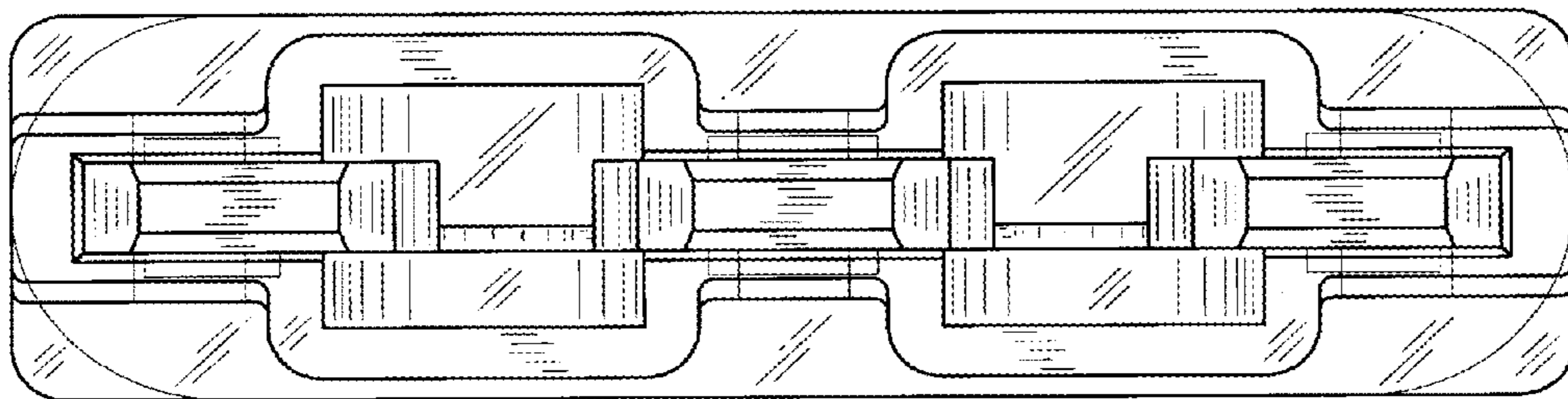




**Fig. 3**



**Fig. 4**



**Fig. 5**

