



US00D671079S

(12) **United States Design Patent**  
**Jetton**

(10) **Patent No.:** **US D671,079 S**

(45) **Date of Patent:** **\*\* Nov. 20, 2012**

- (54) **SERVICEABLE INLINE AC FUSE HOLDER**
- (75) Inventor: **James Thomas Jetton**, Ann Arbor, MI (US)
- (73) Assignee: **Yazaki North America, Inc.**, Canton, MI (US)
- (\*\*) Term: **14 Years**
- (21) Appl. No.: **29/391,462**
- (22) Filed: **May 9, 2011**
- (51) **LOC (9) Cl.** ..... **13-03**
- (52) **U.S. Cl.** ..... **D13/160; D13/178**
- (58) **Field of Classification Search** ..... D13/123, D13/125, 158, 160, 162, 164, 171; 439/417-419, 439/395-404, 465, 695, 696, 701; D32/60, D32/61; 338/179, 198; 174/50, 66, 65 R, 174/67, 70 R, 77 R, 77 S, 92; 200/5 R, 43.11, 200/43.14, 50.01, 50.15, 293, 293.1, 303, 200/401; 361/42, 44, 45, 50, 71, 115, 118, 361/119, 679; 335/374, 68, 132, 202; 15/230.11; 401/121, 127, 137, 146, 197; D4/122, 123; D8/373-386
- See application file for complete search history.

5,772,473 A	6/1998	Cheng et al.	
D406,569 S *	3/1999	Awbrey et al.	D13/178
5,888,098 A	3/1999	Cheng et al.	
D418,482 S *	1/2000	MacKay	D13/160
D454,546 S *	3/2002	MacKay	D13/160
6,932,639 B2	8/2005	Woodruff	
D518,796 S *	4/2006	Shingt	D13/178
D519,937 S *	5/2006	Laurent et al.	D13/160
D521,457 S *	5/2006	Laurent et al.	D13/160
D567,185 S *	4/2008	Mayo et al.	D13/158
7,377,813 B2	5/2008	Pentell et al.	
D589,445 S *	3/2009	Arai et al.	D13/133
D589,884 S *	4/2009	Arai et al.	D13/133
D626,921 S *	11/2010	Pang	D13/158
D654,879 S *	2/2012	Li et al.	D13/170
2009/0309689 A1	12/2009	Pavlovic et al.	
2010/0139733 A1	6/2010	Jonczyk et al.	
2010/0164678 A1	7/2010	Pentell et al.	

\* cited by examiner

*Primary Examiner* — Thomas Johannes  
(74) *Attorney, Agent, or Firm* — Harness, Dickey & Pierce, P.L.C.

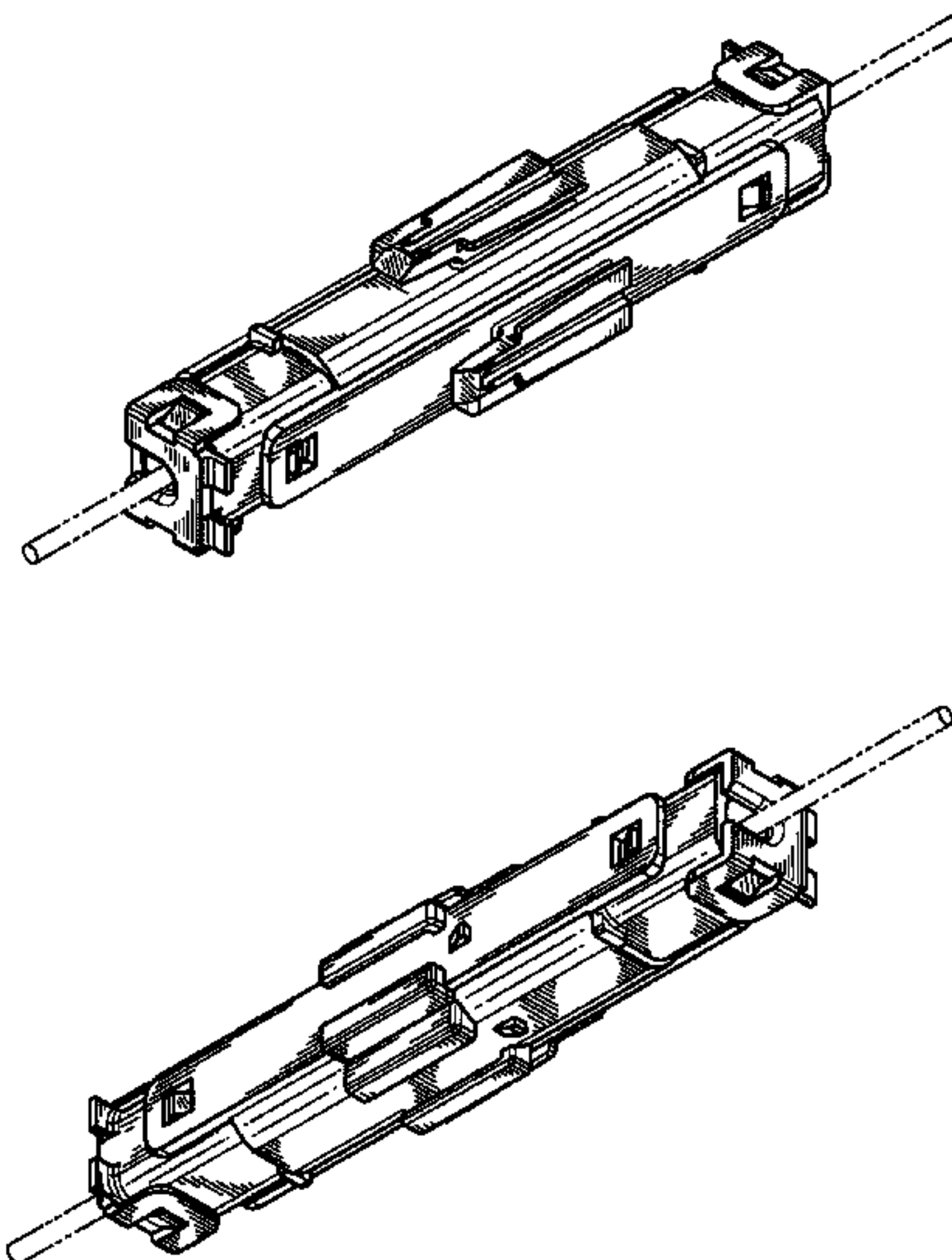
(57) **CLAIM**  
The ornamental design for a serviceable inline AC fuse holder, as shown and described.

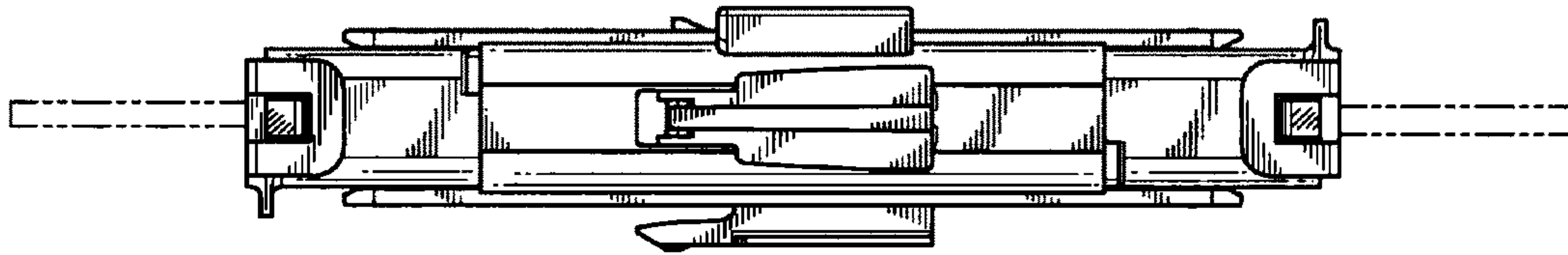
**DESCRIPTION**

FIG. 1 is a top view of a serviceable inline AC fuse holder of the instant application;  
FIG. 2 is a left side view thereof;  
FIG. 3 is a bottom view thereof;  
FIG. 4 is a right side view thereof;  
FIG. 5 is a front end view thereof;  
FIG. 6 is a rear end view thereof;  
FIG. 7 is a top perspective view thereof; and,  
FIG. 8 is a bottom perspective view thereof.  
The broken line portion of the figure drawings is included to show unclaimed subject matter only and forms no part of the claimed design.

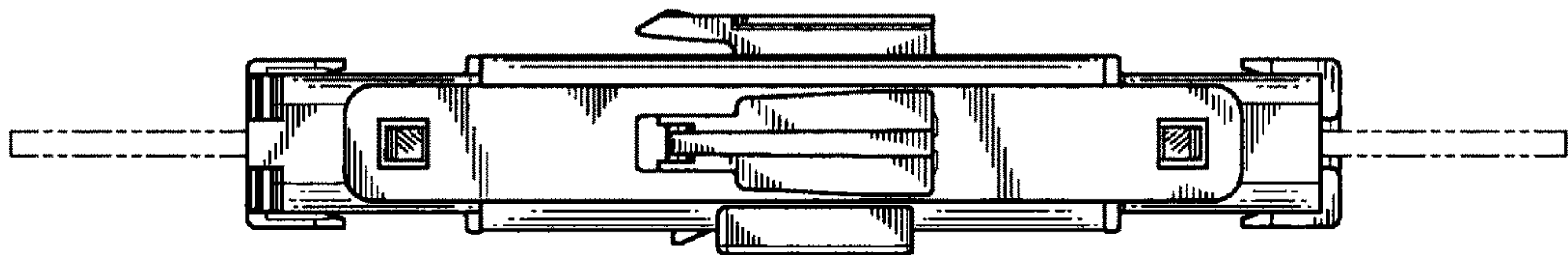
**1 Claim, 2 Drawing Sheets**

- (56) **References Cited**
- U.S. PATENT DOCUMENTS
- |               |         |                  |         |
|---------------|---------|------------------|---------|
| 1,601,673 A   | 9/1926  | Bridgman         |         |
| 3,356,806 A   | 12/1967 | Urani            |         |
| 3,843,050 A   | 10/1974 | Melugin          |         |
| 4,734,059 A   | 3/1988  | Melugin          |         |
| 4,909,761 A   | 3/1990  | Mugaira          |         |
| D313,971 S *  | 1/1991  | Rosenbaum et al. | D13/160 |
| 5,018,991 A   | 5/1991  | Katz et al.      |         |
| 5,267,880 A   | 12/1993 | Tamm             |         |
| D358,368 S *  | 5/1995  | Howard et al.    | D13/160 |
| 5,648,749 A   | 7/1997  | Lin et al.       |         |
| 5,684,272 A * | 11/1997 | Gernhardt et al. | 174/650 |
| D391,922 S *  | 3/1998  | Aromin           | D13/160 |

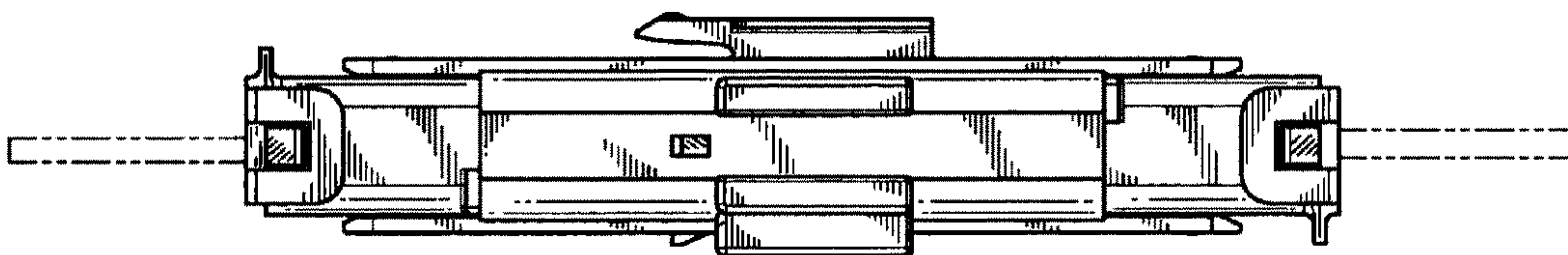




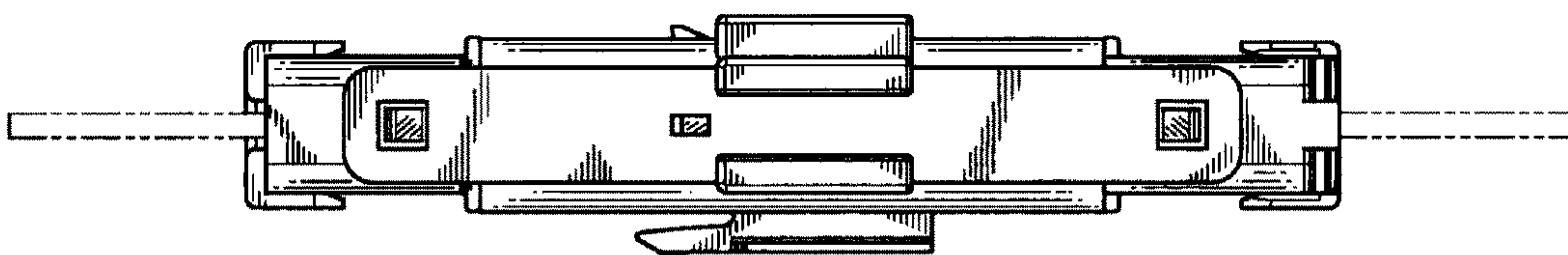
**FIG. 1**



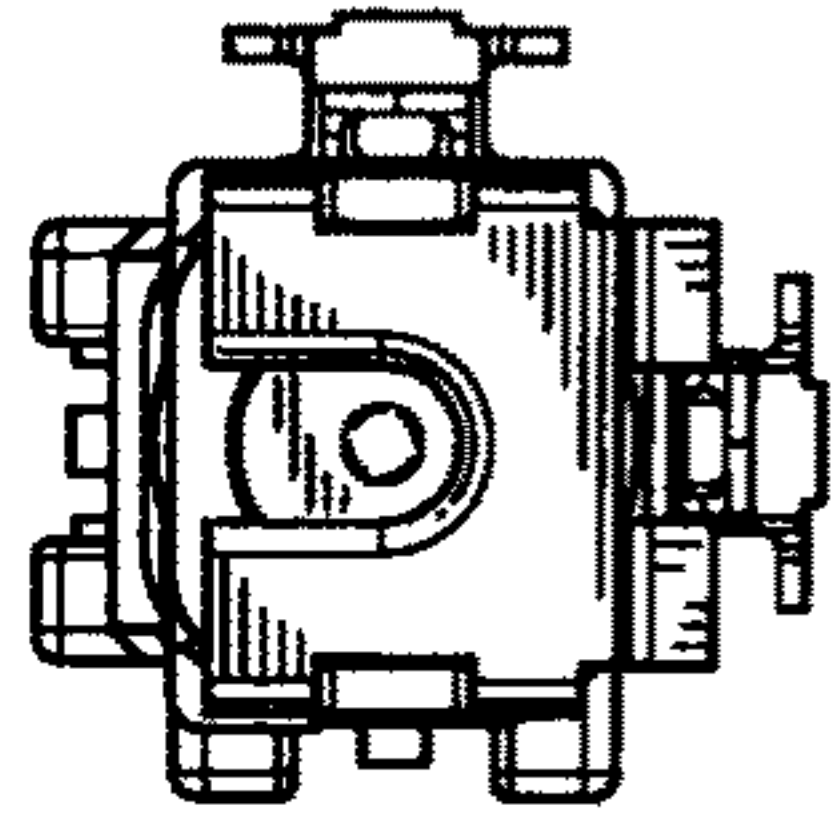
**FIG. 2**



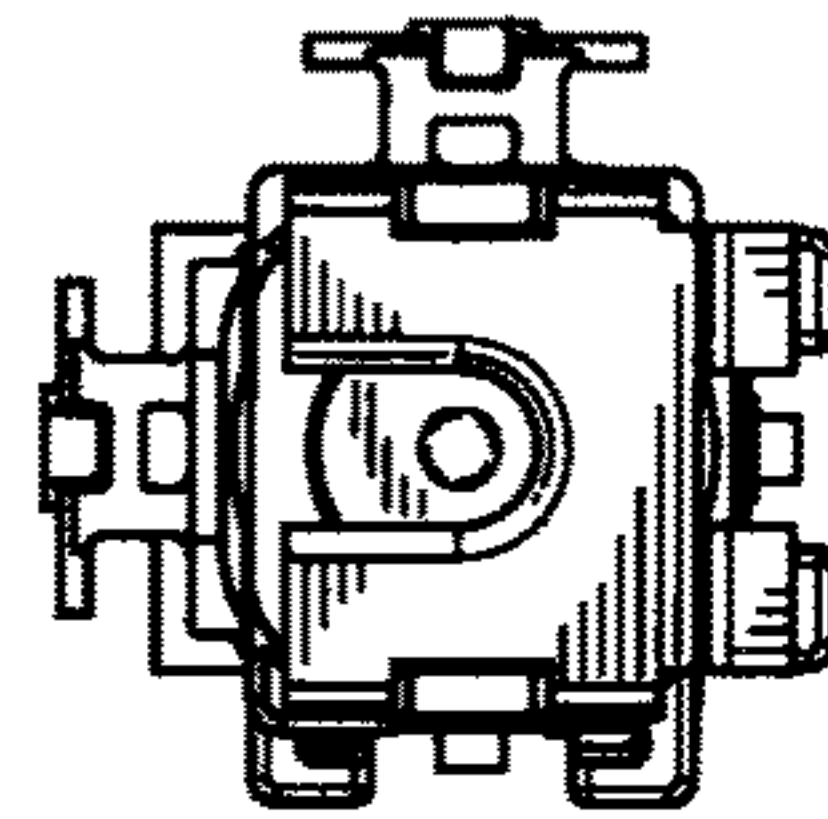
**FIG. 3**



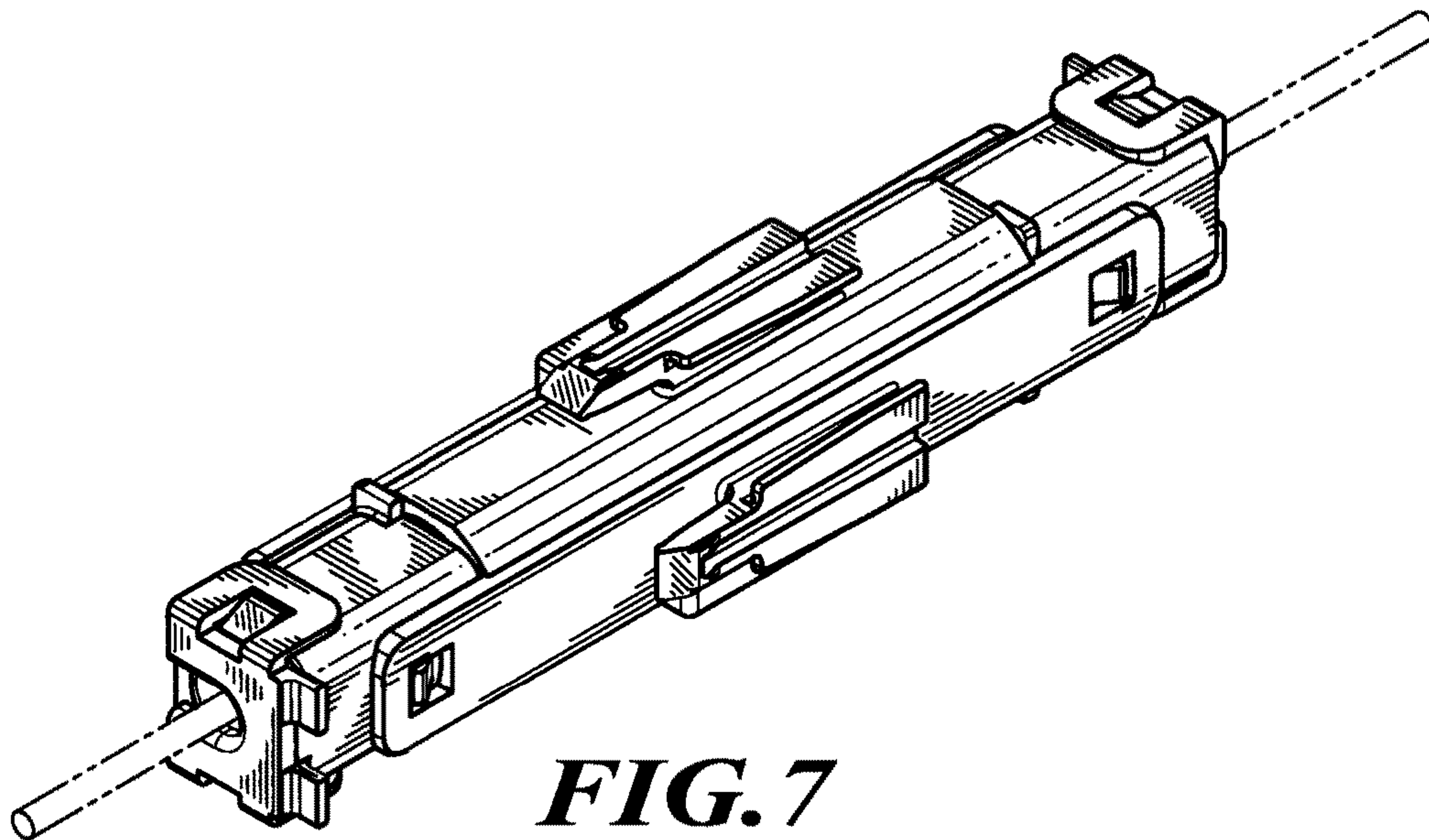
**FIG. 4**



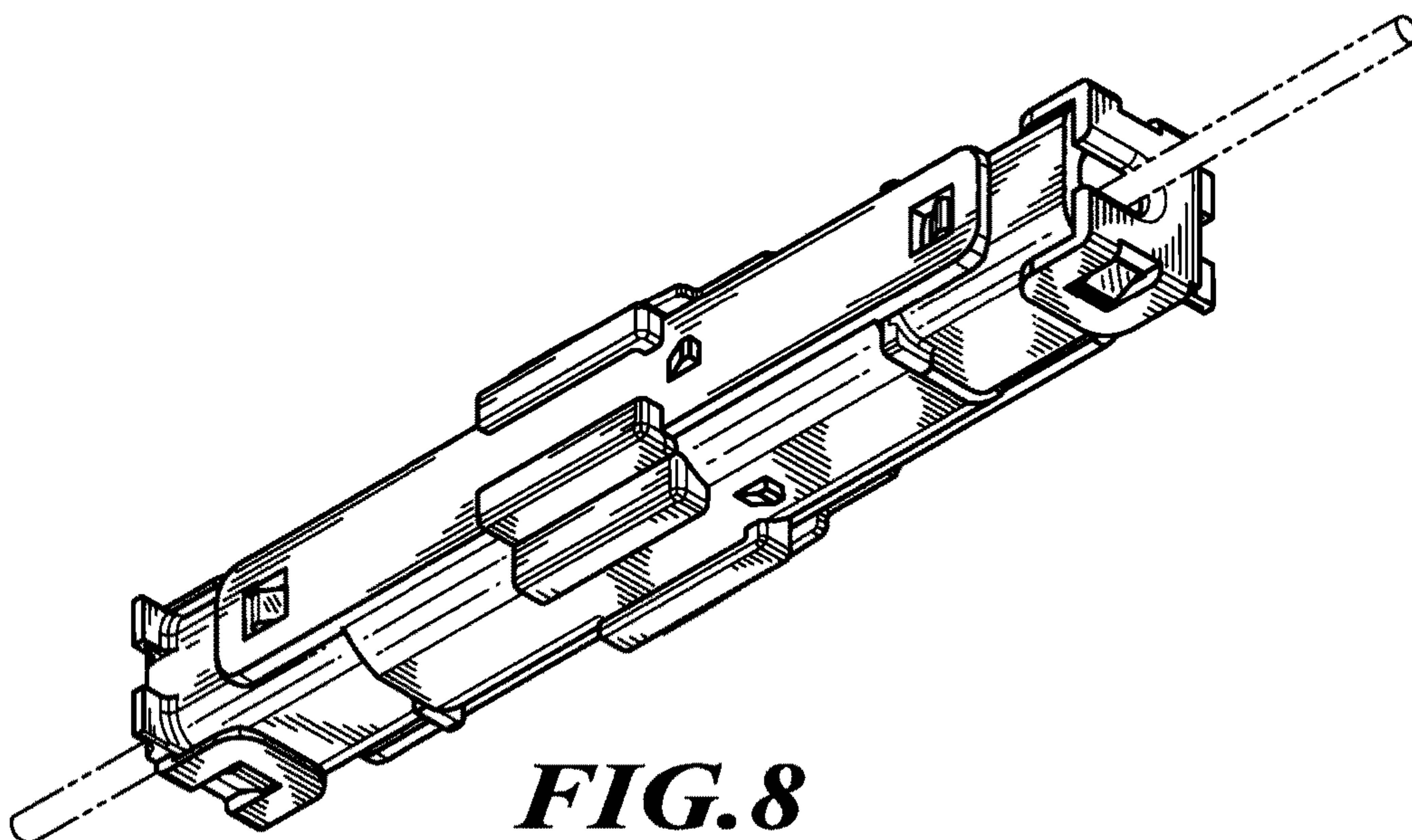
**FIG. 5**



**FIG. 6**



**FIG. 7**



**FIG. 8**