



US00D671077S

(12) **United States Design Patent**
Su

(10) **Patent No.:** **US D671,077 S**
(45) **Date of Patent:** **** Nov. 20, 2012**

(54) **RECEPTACLE CONNECTOR**

(75) Inventor: **Yu-Hung Su**, New Taipei (TW)

(73) Assignee: **Cheng Uei Precision Industry Co., Ltd.**, New Taipei (TW)

(**) Term: **14 Years**

(21) Appl. No.: **29/414,184**

(22) Filed: **Feb. 24, 2012**

(51) **LOC (9) Cl.** **13-03**

(52) **U.S. Cl.** **D13/147**

(58) **Field of Classification Search** D13/133,
D13/146, 147, 153, 154, 184, 199; 439/79,
439/248, 258, 274, 350, 352, 353, 354, 357,
439/358, 374, 447, 476.1, 594, 598, 607.01,
439/607.04, 607.05, 607.17, 607.25, 607.34,
439/607.41, 607.53, 656, 660, 668, 680,
439/711, 745, 752

See application file for complete search history.

(56) **References Cited**

U.S. PATENT DOCUMENTS

D491,145 S *	6/2004	Hu et al.	D13/147
D518,790 S *	4/2006	Nishio et al.	D13/147
D524,748 S *	7/2006	Chiang et al.	D13/147
D527,347 S *	8/2006	Shang Yen et al.	D13/147

D624,021 S *	9/2010	Wang et al.	D13/147
D626,080 S *	10/2010	Zong	D13/147
D647,860 S *	11/2011	Wang	D13/147
D647,861 S *	11/2011	Wang	D13/147

* cited by examiner

Primary Examiner — Daniel Bui

(74) *Attorney, Agent, or Firm* — Cheng-Ju Chiang

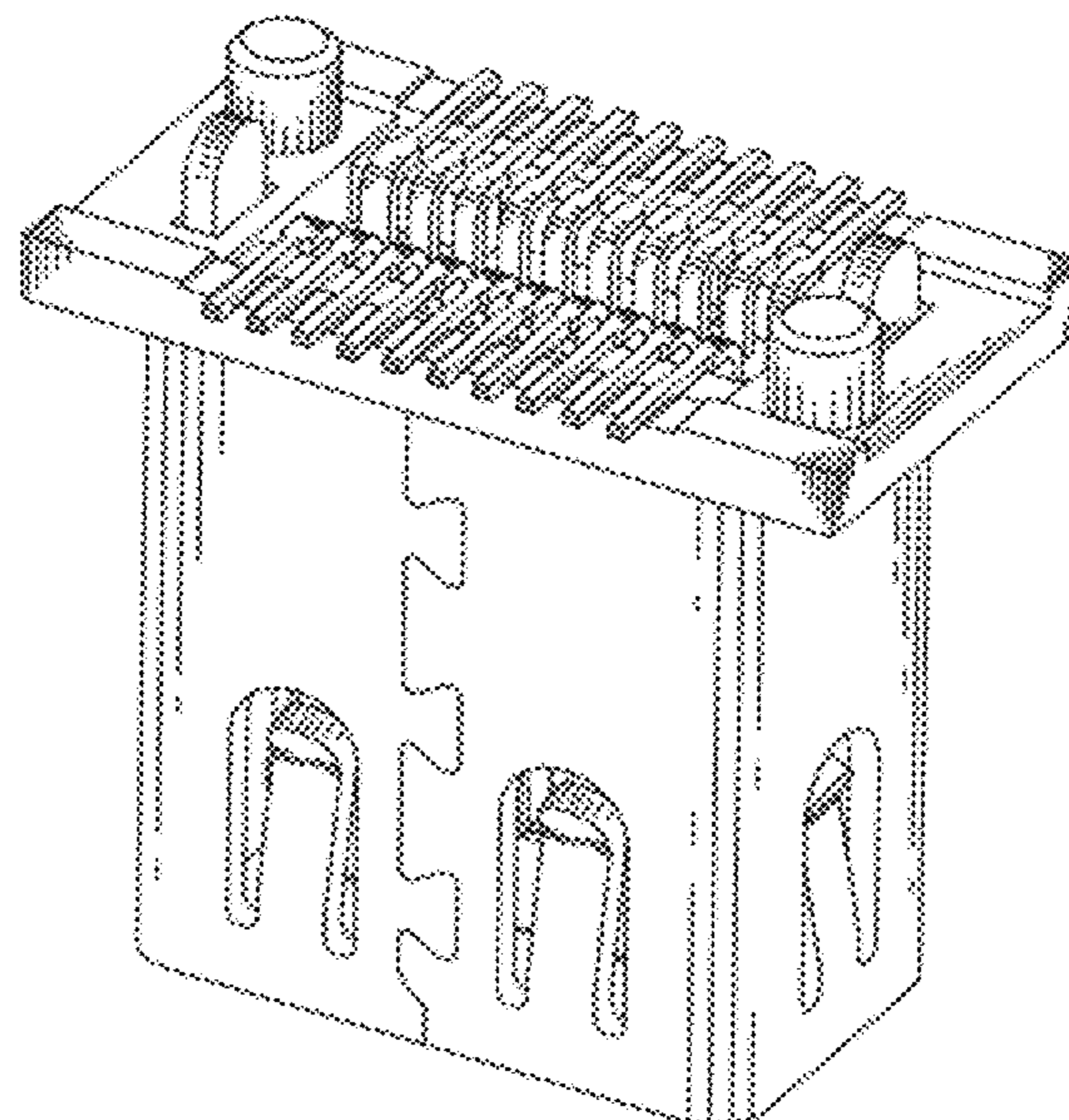
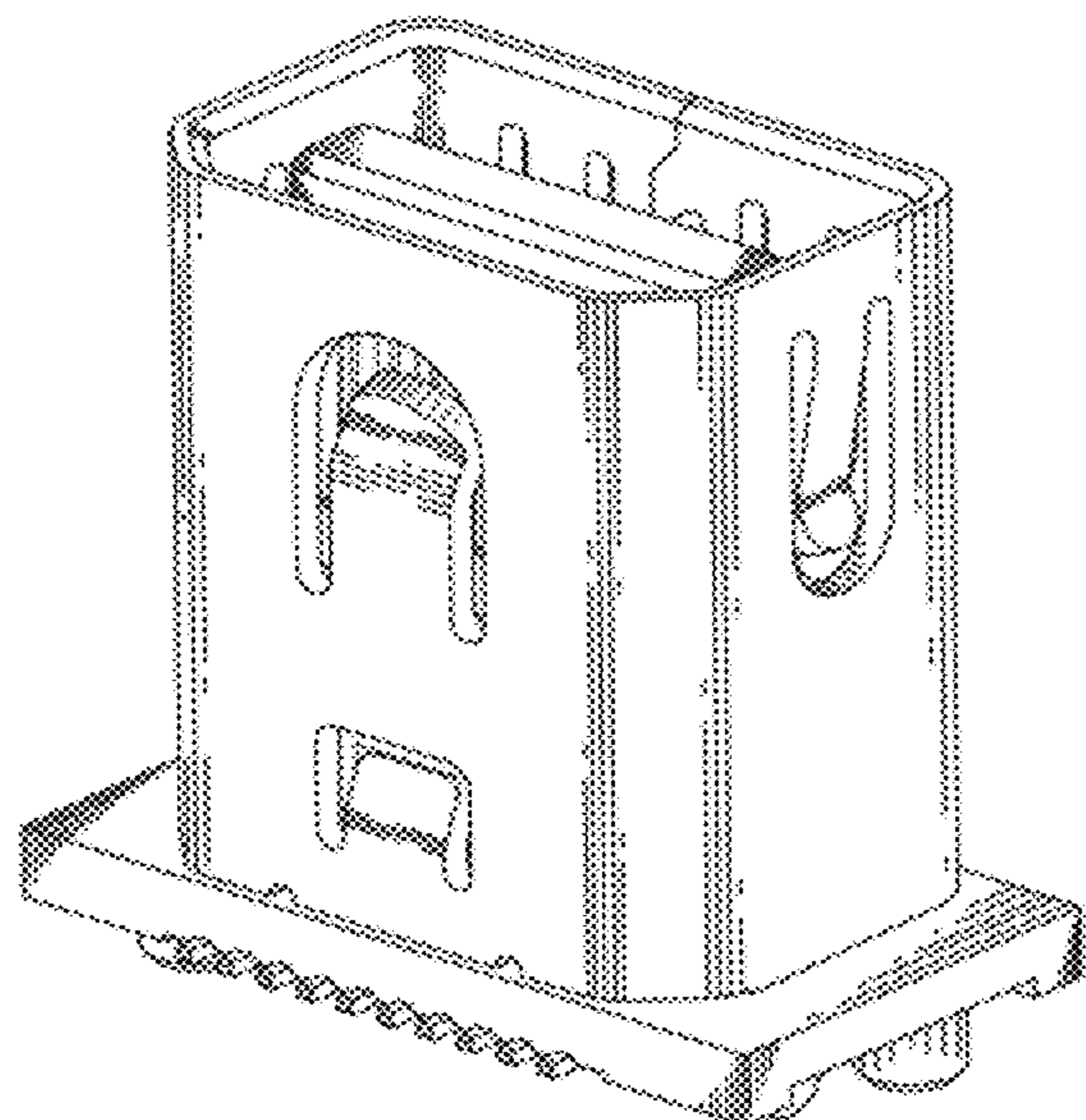
(57) **CLAIM**

The ornamental design for a receptacle connector, as shown and described.

DESCRIPTION

FIG. 1 is a perspective view of a receptacle connector showing my new design;
 FIG. 2 is a front elevational view thereof;
 FIG. 3 is a rear elevational view thereof;
 FIG. 4 is a left side elevational view thereof;
 FIG. 5 is a right side elevational view thereof;
 FIG. 6 is a top plan view thereof;
 FIG. 7 is a bottom plan view thereof; and,
 FIG. 8 is another perspective view of the receptacle connector showing my new design.
 The broken line portion of the figure drawings is included to show unclaimed subject matter only and forms no part of the claimed design.

1 Claim, 8 Drawing Sheets



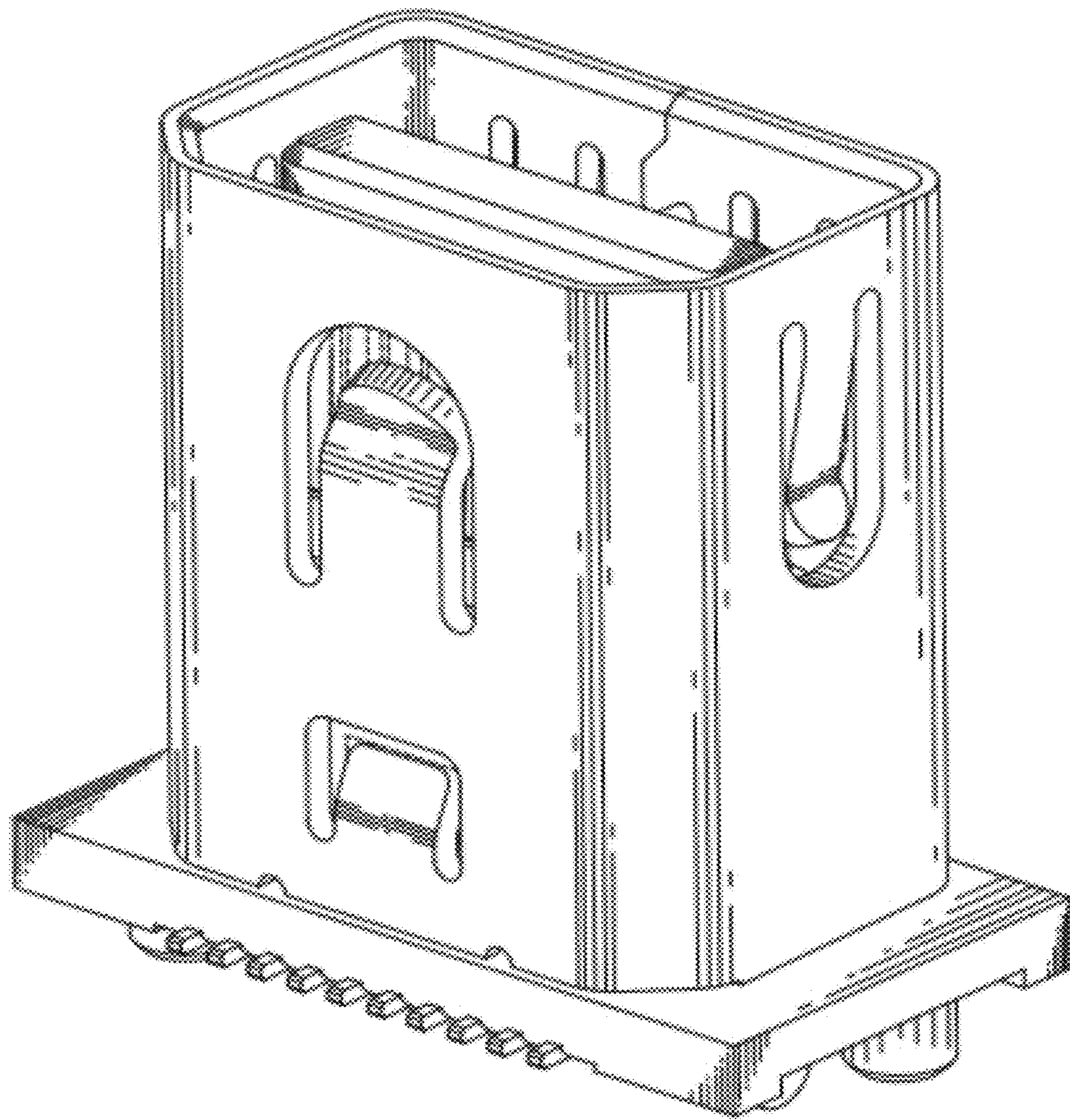


FIG. 1

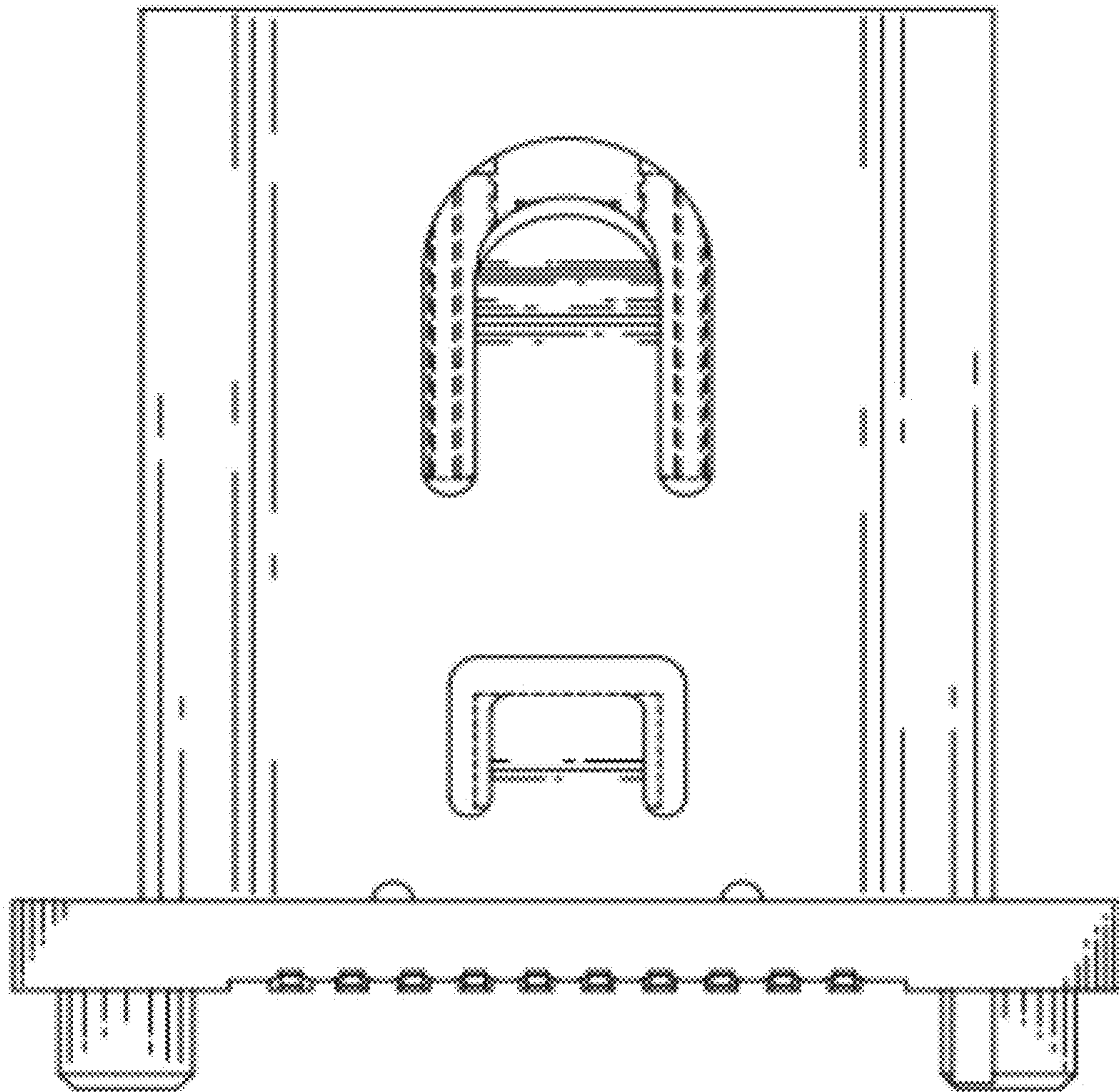


FIG. 2

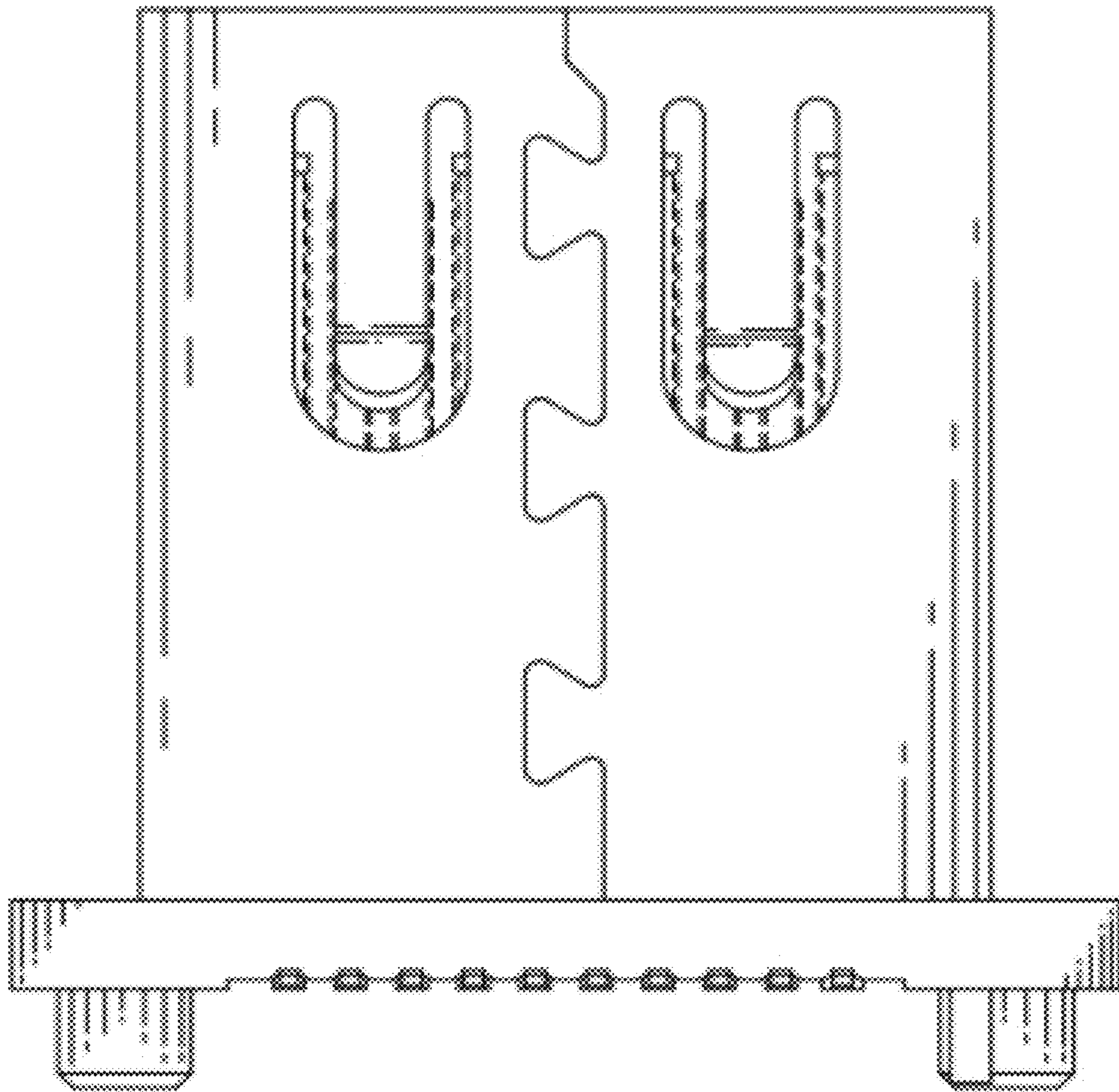


FIG. 3

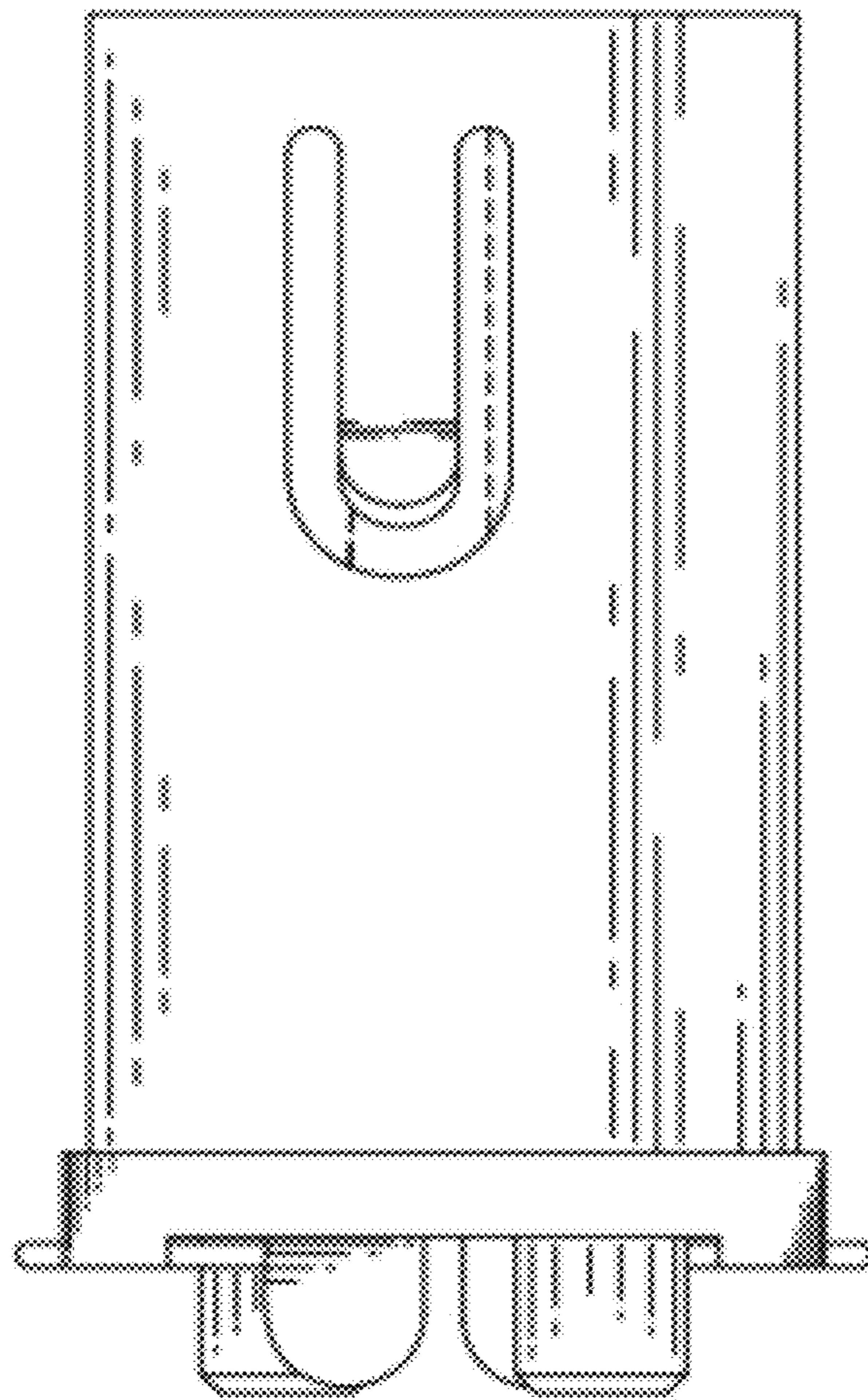


FIG. 4

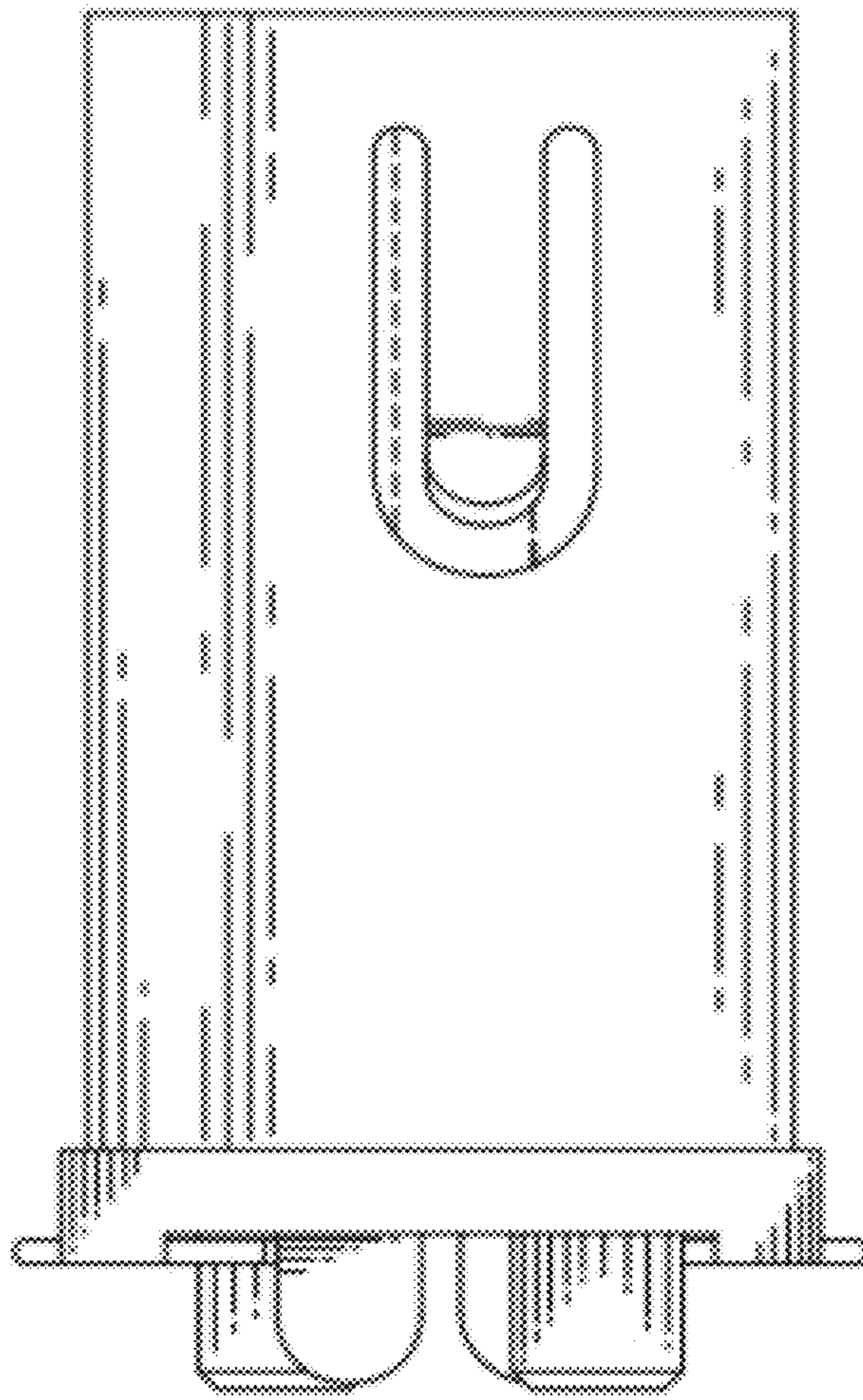


FIG. 5

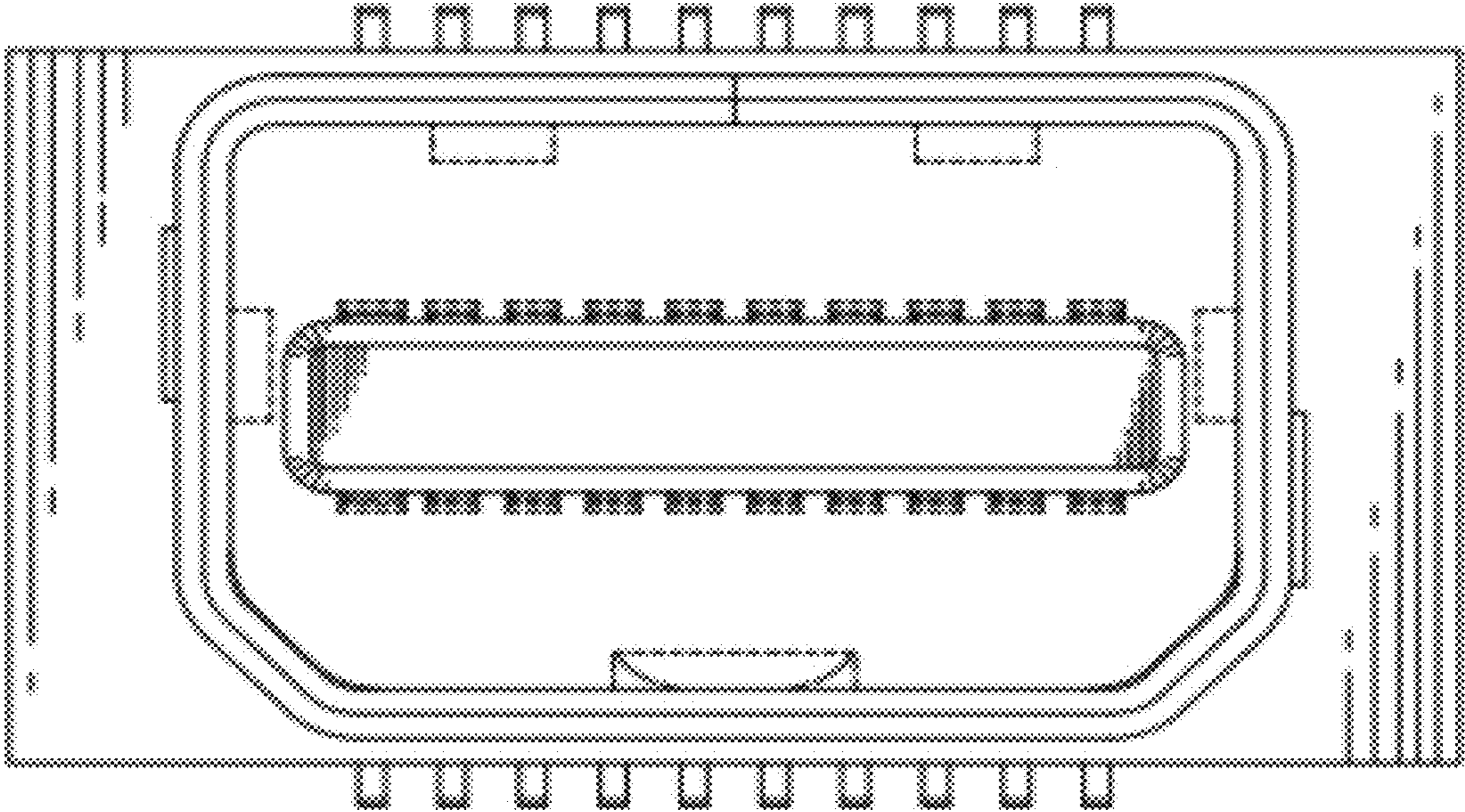


FIG. 6

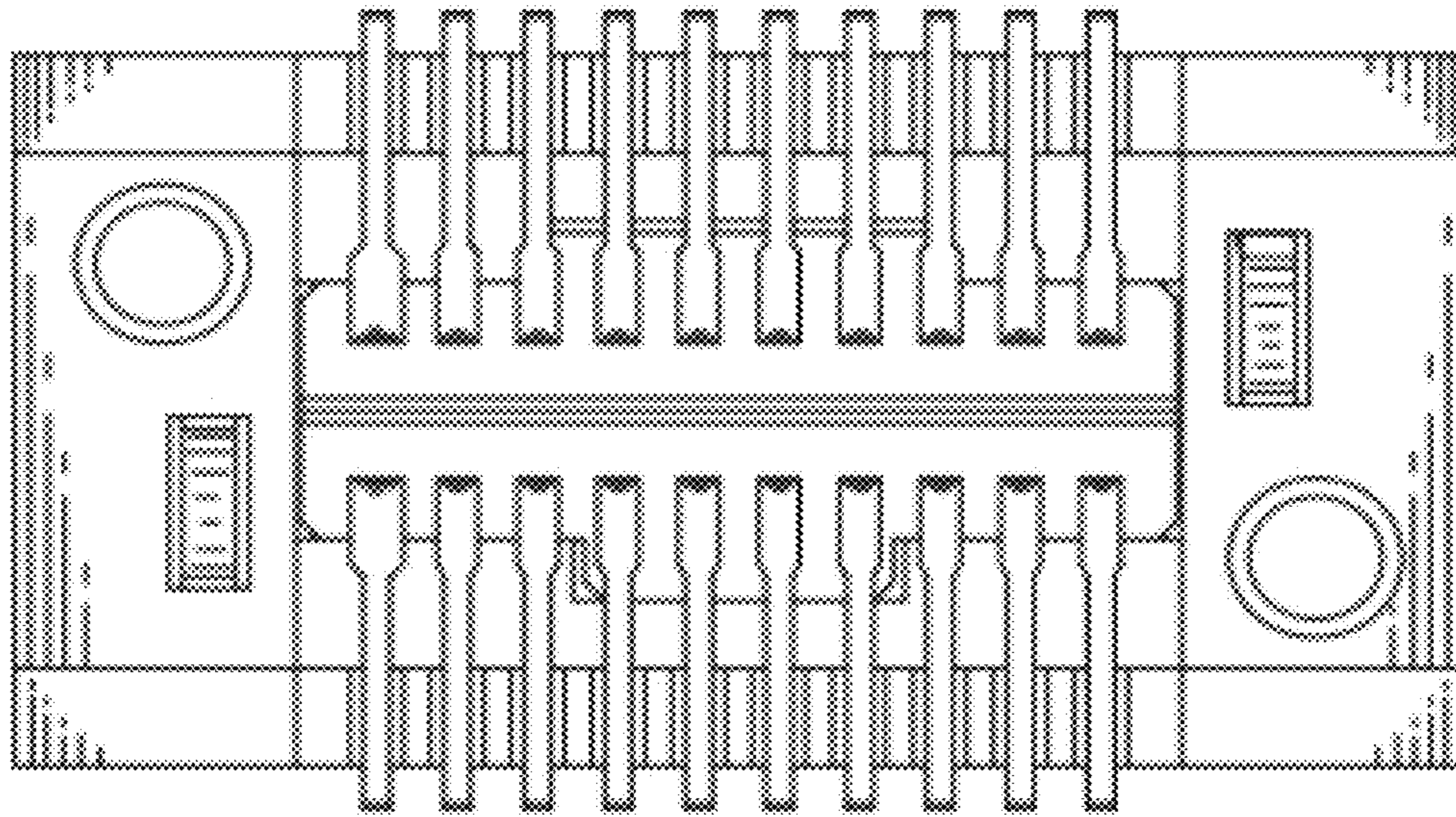


FIG. 7

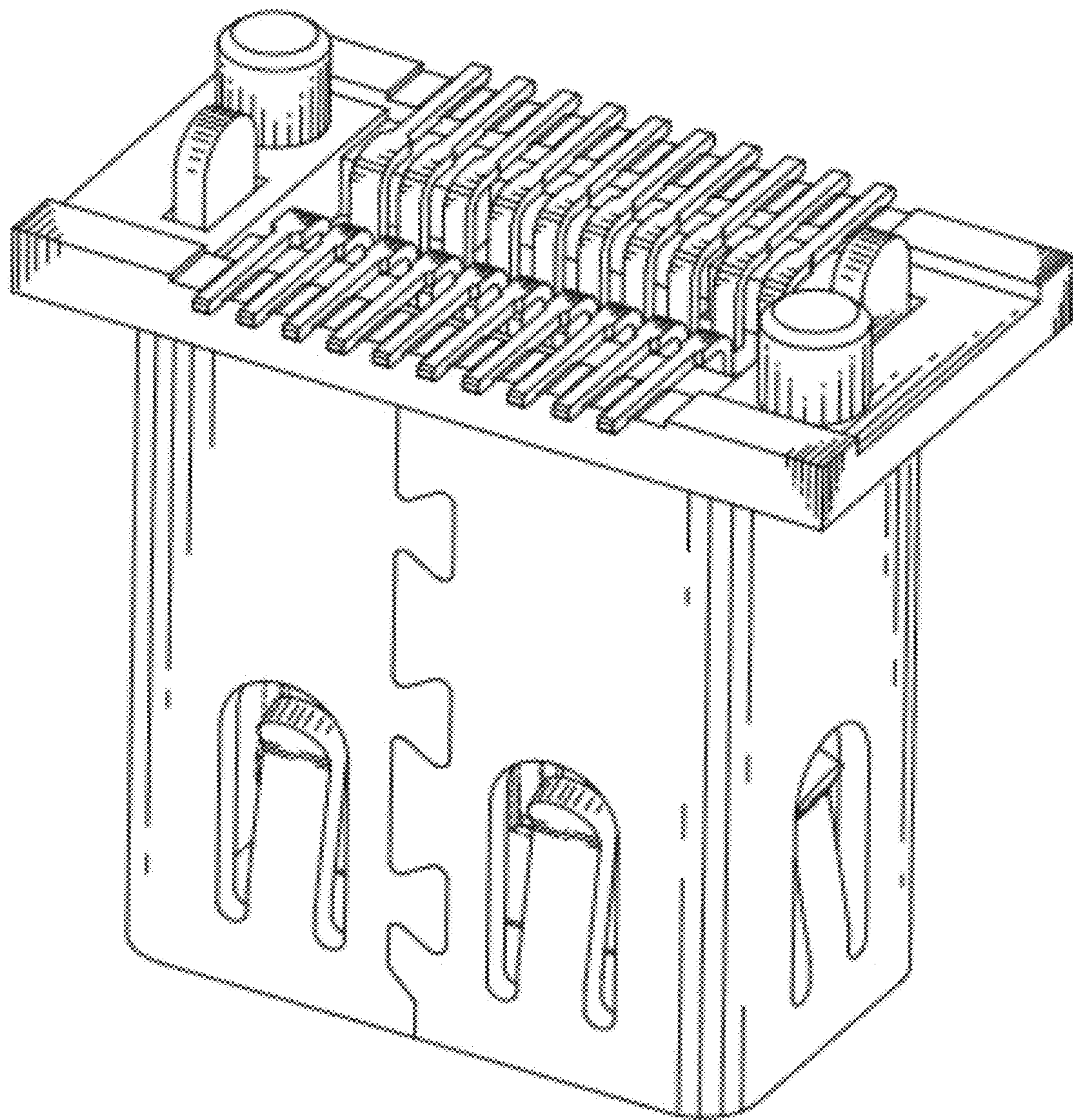


FIG. 8