



US00D671075S

(12) **United States Design Patent**
Yang et al.

(10) **Patent No.:** **US D671,075 S**

(45) **Date of Patent:** **** Nov. 20, 2012**

(54) **PLUG CONNECTOR**

(75) Inventors: **Ou Yang**, Guang-Dong (CN); **Hong-Tu Zhang**, Guang-Dong (CN); **Ping-Chih Chen**, New Taipei (TW); **Ming-Chiang Chen**, New Taipei (TW)

(73) Assignee: **Cheng Uei Precision Industry Co., Ltd.**, New Taipei (TW)

(**) Term: **14 Years**

(21) Appl. No.: **29/386,976**

(22) Filed: **Mar. 7, 2011**

(51) **LOC (9) Cl.** **13-03**

(52) **U.S. Cl.** **D13/147**

(58) **Field of Classification Search** D13/133,
D13/146, 147, 153, 154, 184, 199; 439/79,
439/248, 258, 274, 350, 352, 353, 354, 357,
439/358, 374, 447, 476.1, 594, 598, 607.01,
439/607.04, 607.05, 607.17, 607.25, 607.34,
439/607.41, 607.53, 656, 660, 668, 680,
439/711, 745, 752

See application file for complete search history.

(56) **References Cited**

U.S. PATENT DOCUMENTS

4,838,808 A * 6/1989 Fujiura 439/357
D455,401 S * 4/2002 Goto D13/147

D503,152 S * 3/2005 Suckle et al. D13/154
D513,735 S * 1/2006 Nishio et al. D13/147
D553,092 S * 10/2007 Arai et al. D13/147
D589,888 S * 4/2009 Wu et al. D13/147

* cited by examiner

Primary Examiner — Daniel Bui

(74) *Attorney, Agent, or Firm* — Cheng-Ju Chiang

(57) **CLAIM**

The ornamental design for a plug connector, as shown and described.

DESCRIPTION

FIG. 1 is a perspective view of a plug connector showing our new design;

FIG. 2 is a front elevational view thereof;

FIG. 3 is a rear elevational view thereof;

FIG. 4 is a left side elevational view thereof;

FIG. 5 is a right side elevational view thereof;

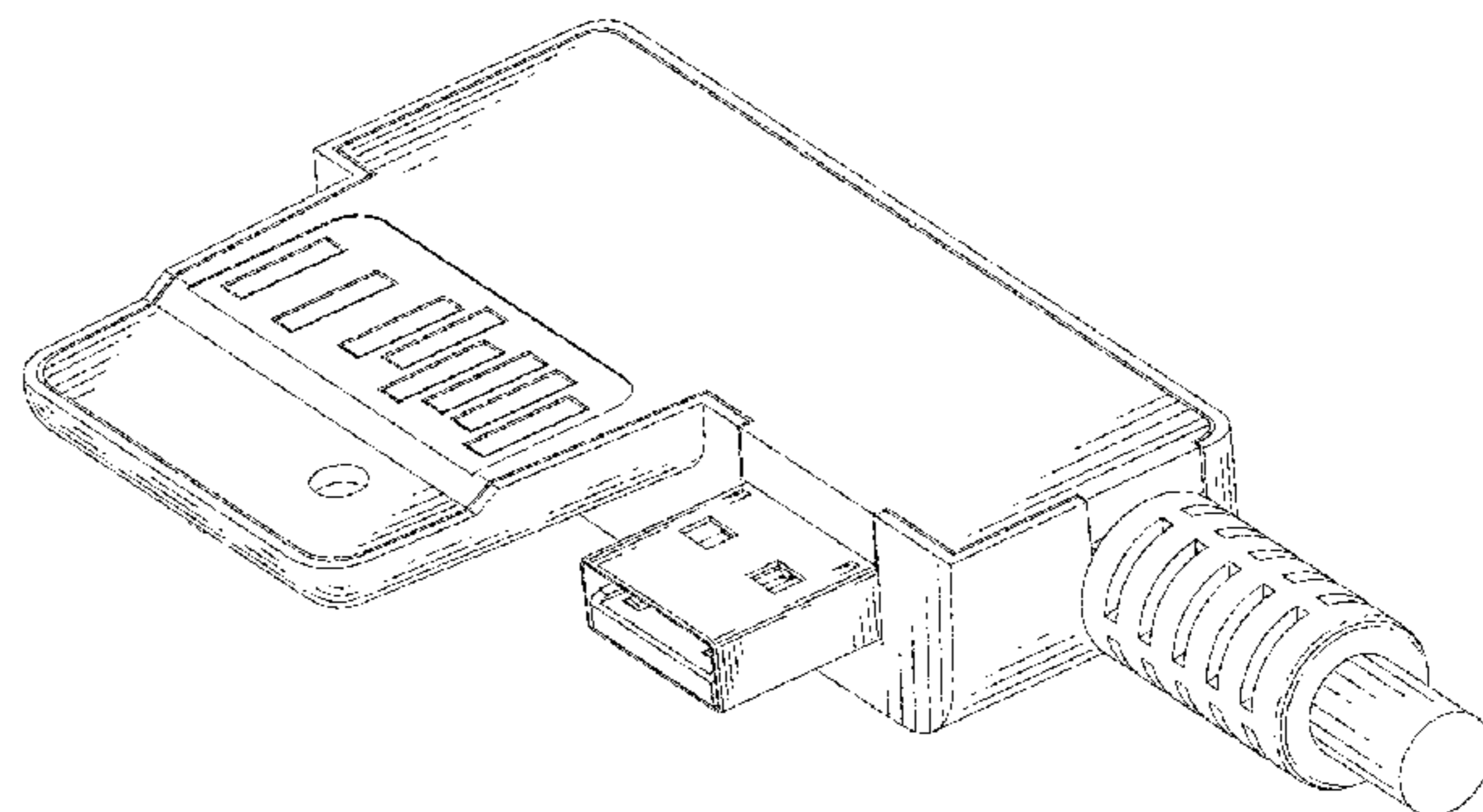
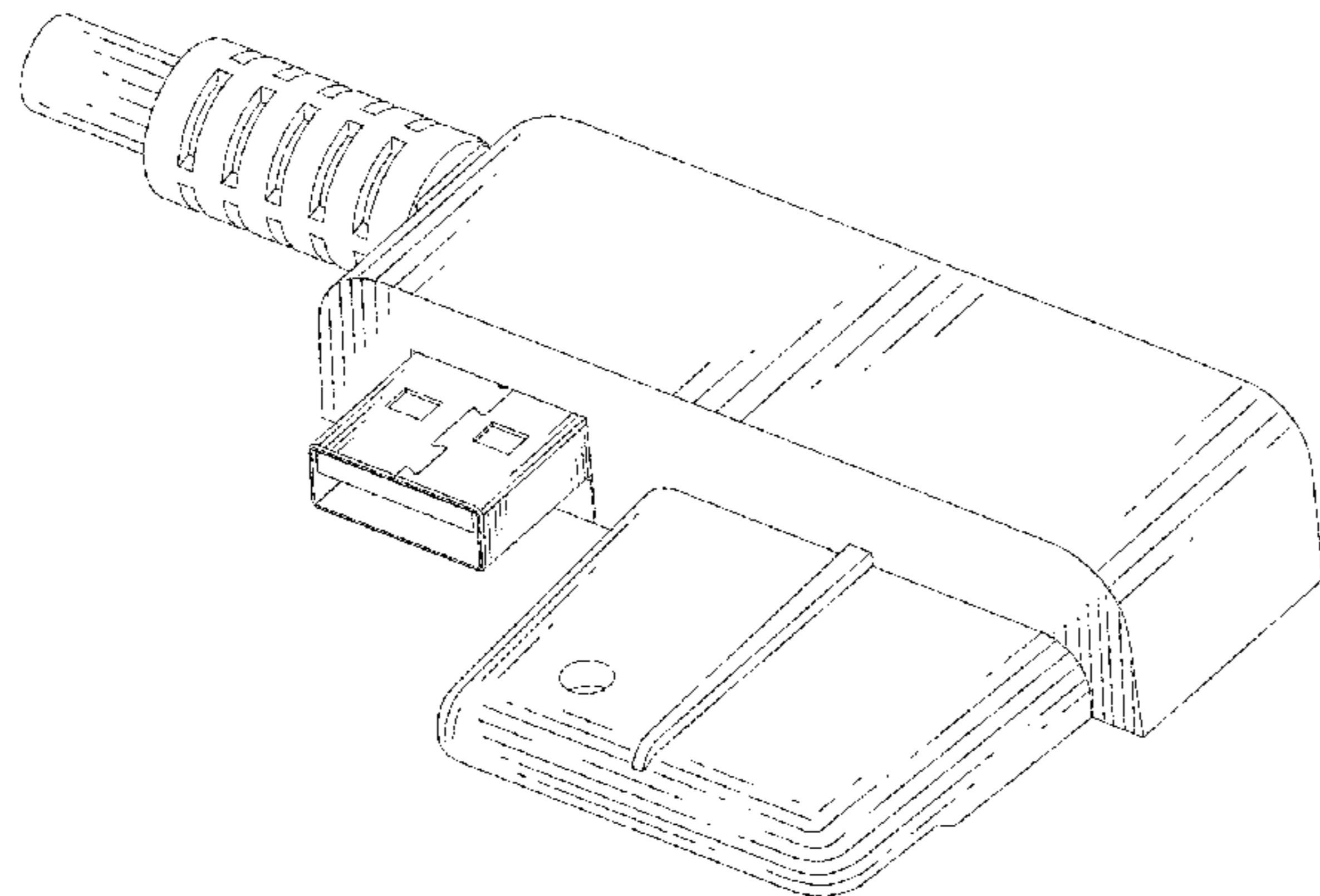
FIG. 6 is a top plan view thereof;

FIG. 7 is a bottom plan view thereof; and,

FIG. 8 is another perspective view of the plug connector showing our new design.

The broken line portion of the figure drawings is included to show unclaimed subject matter only and forms no part of the claimed design.

1 Claim, 8 Drawing Sheets



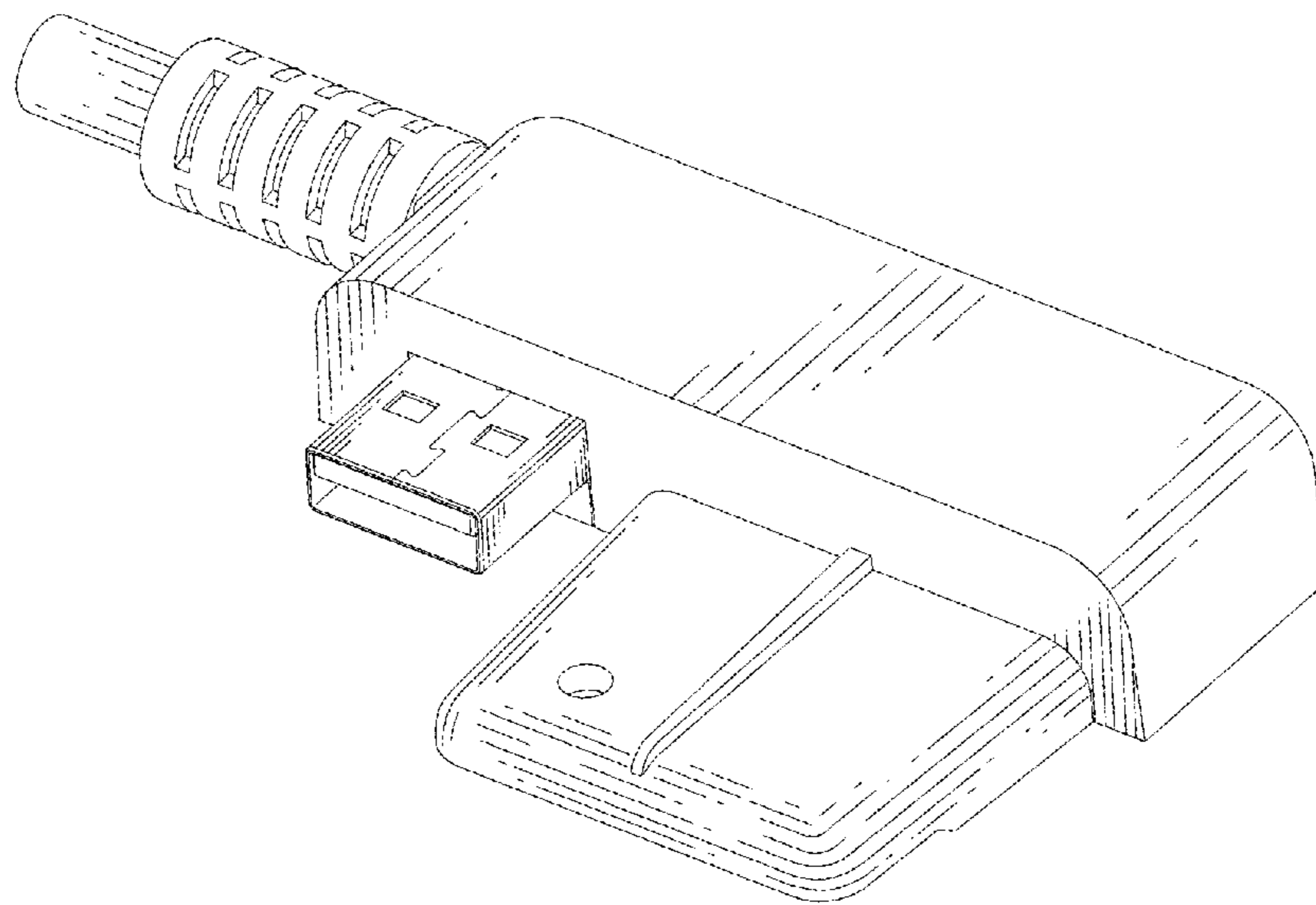


FIG. 1

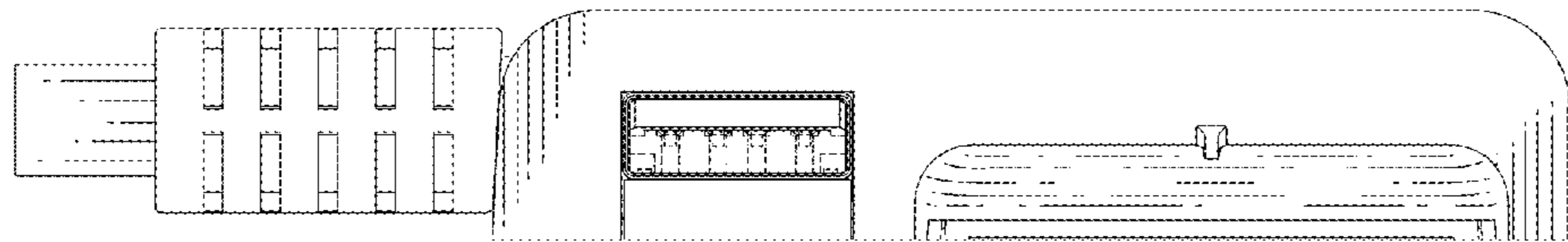


FIG. 2

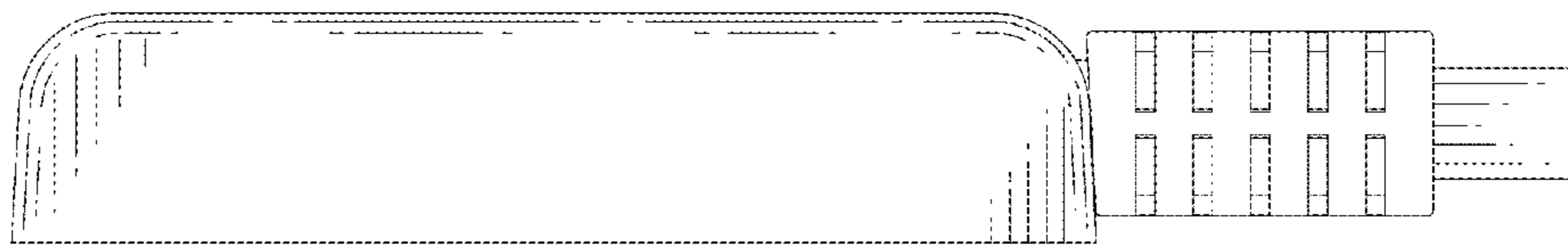


FIG. 3

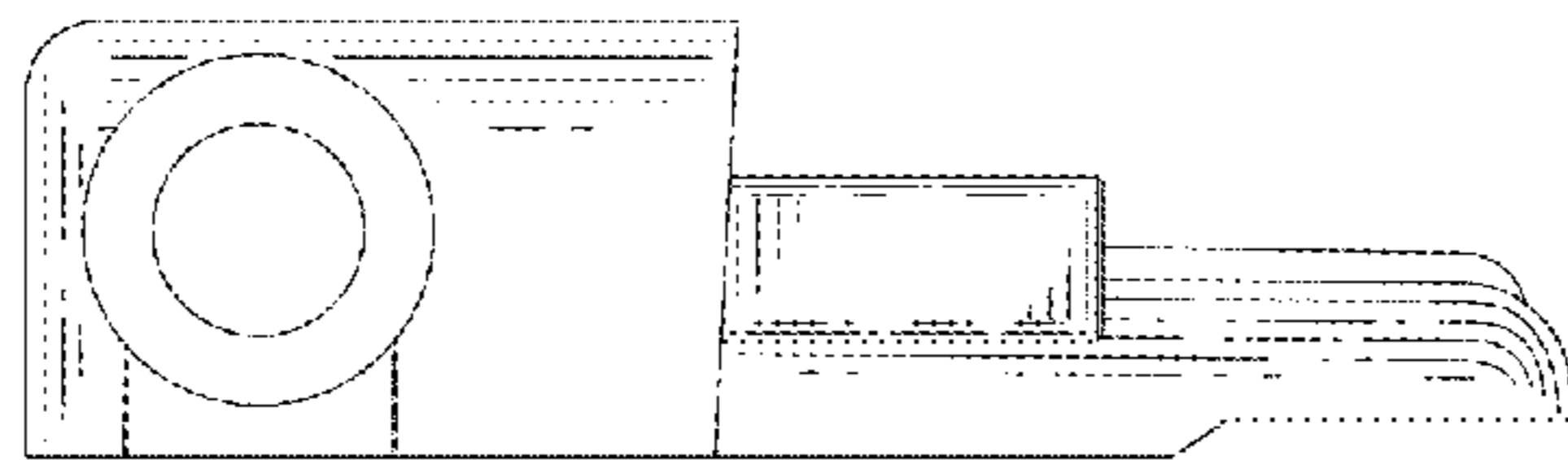


FIG. 4

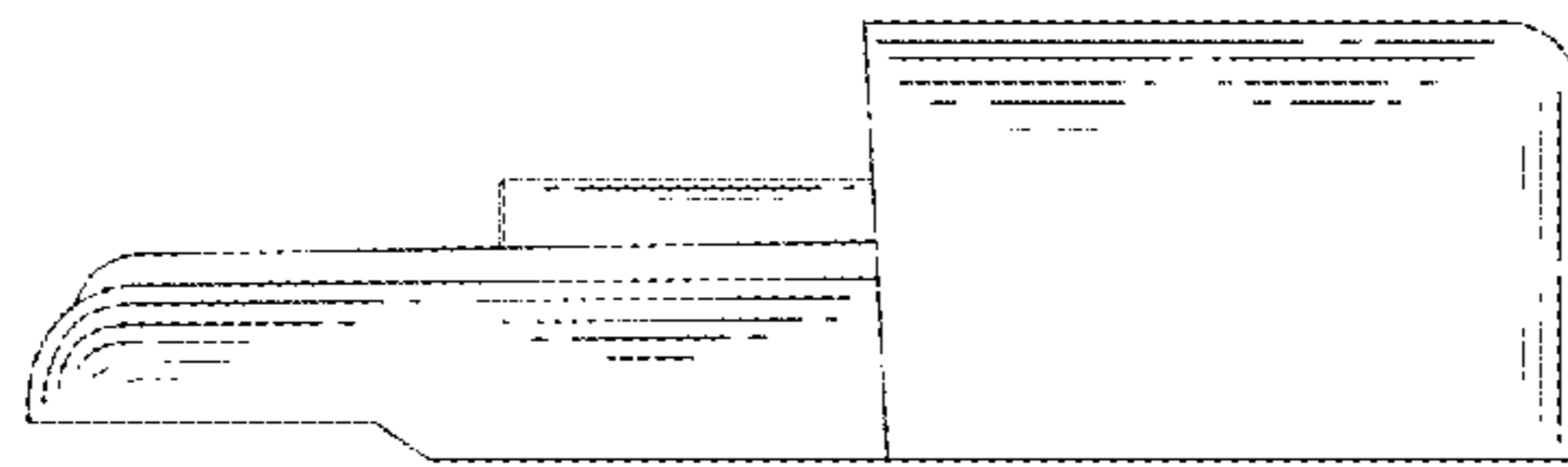


FIG. 5

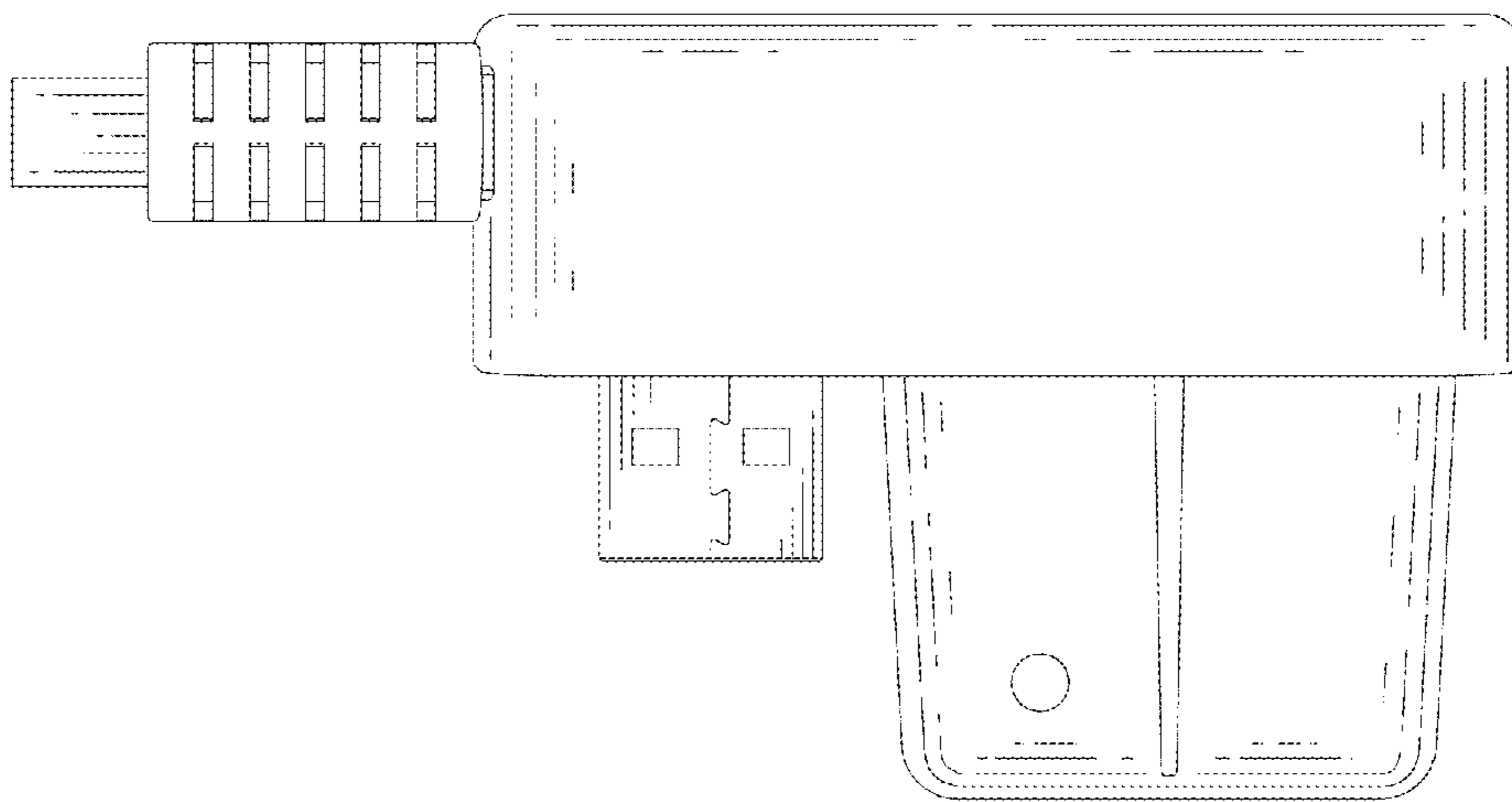


FIG. 6

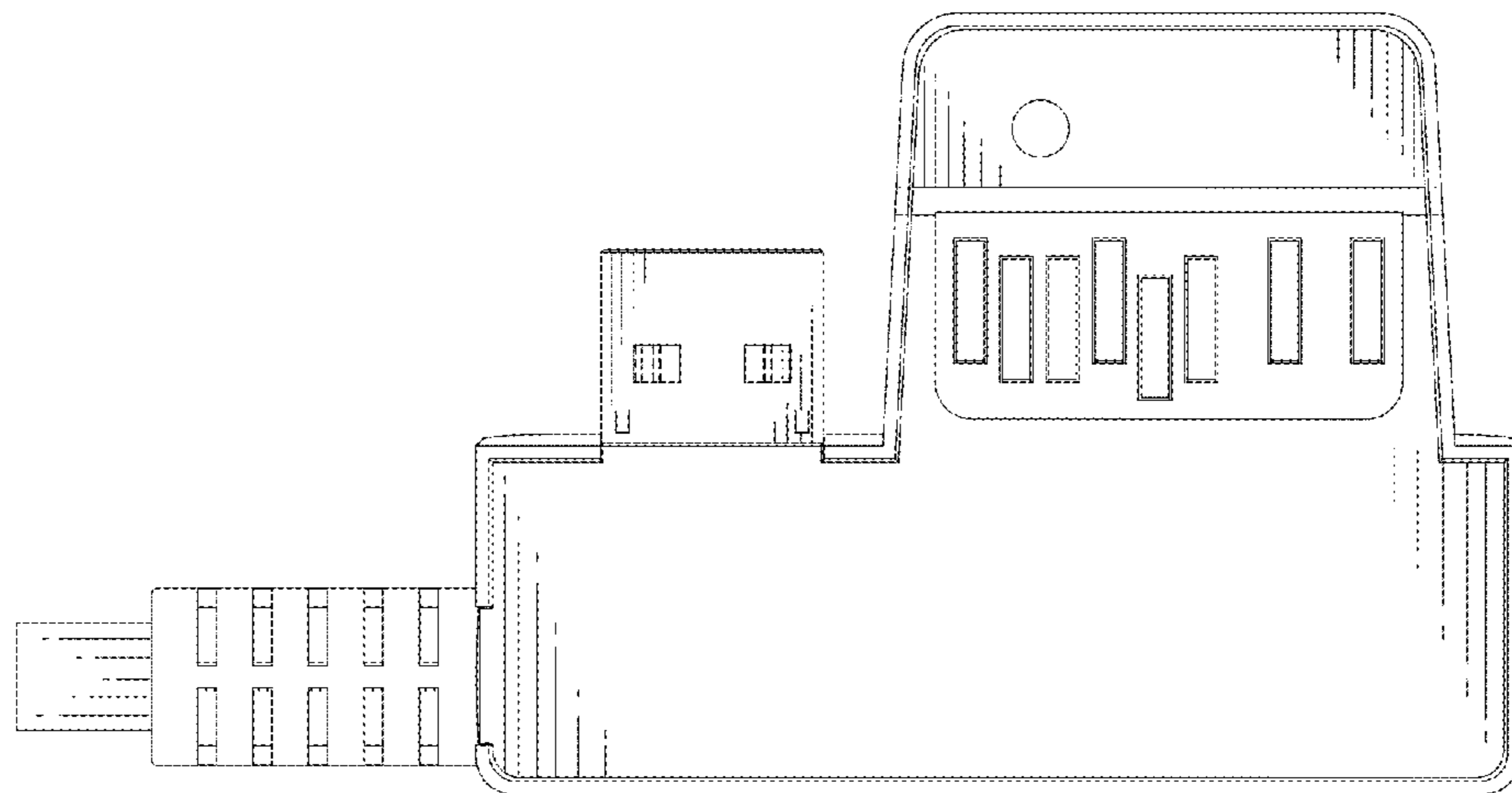


FIG. 7

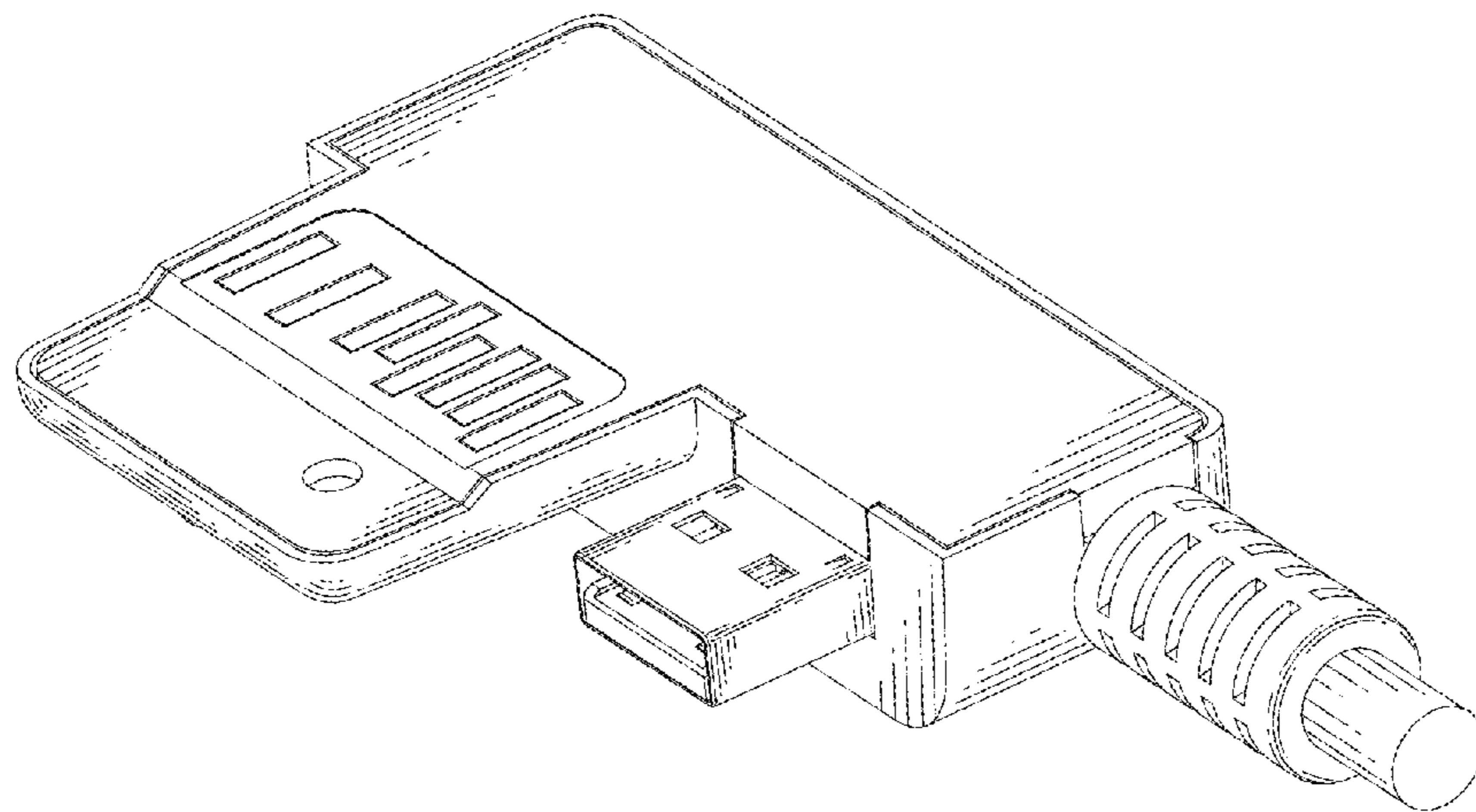


FIG. 8