



US00D671074S

(12) **United States Design Patent**
Hori et al.

(10) **Patent No.:** **US D671,074 S**

(45) **Date of Patent:** **** Nov. 20, 2012**

(54) **CHARGING CONNECTOR FOR ELECTRIC VEHICLE**

(75) Inventors: **Yasunobu Hori**, Sakura (JP); **Keiji Yahagi**, Tokyo (JP)

(73) Assignee: **Fujikura Ltd.**, Tokyo (JP)

(**) Term: **14 Years**

(21) Appl. No.: **29/376,992**

(22) Filed: **Oct. 15, 2010**

(30) **Foreign Application Priority Data**

Apr. 16, 2010 (JP) 2010-009667

(51) **LOC (9) Cl.** **13-03**

(52) **U.S. Cl.** **D13/144**

(58) **Field of Classification Search** D13/107-109,
D13/118-119, 133, 146, 147, 154, 184, 199;
D23/226; 320/104, 107-115, FOR. 104,
320/FOR. 119, DIG. 35

See application file for complete search history.

(56) **References Cited**

U.S. PATENT DOCUMENTS

5,350,312 A * 9/1994 Kuno et al. 439/310
D390,827 S * 2/1998 Sekimori et al. D13/146
D636,334 S * 4/2011 Kato et al. D13/119

8,016,607 B2 * 9/2011 Brown, II 439/353
D655,242 S * 3/2012 Holthusen D13/107
2011/0145141 A1 * 6/2011 Blain 705/39

* cited by examiner

Primary Examiner — Daniel Bui

(74) *Attorney, Agent, or Firm* — Nixon & Vanderhye P.C.

(57) **CLAIM**

The ornamental design for a charging connector for electric vehicle, as shown and described.

DESCRIPTION

FIG. 1 is a front, top and right side perspective view of a charging connector for electric vehicle showing our new design.

FIG. 2 is a front, top and left side perspective view thereof.

FIG. 3 is a front elevation view thereof.

FIG. 4 is a rear elevation view thereof.

FIG. 5 is a right side elevation view thereof.

FIG. 6 is a left side elevation view thereof.

FIG. 7 is a top plan view thereof.

FIG. 8 is a bottom plan view thereof; and,

FIG. 9 is a front elevation view, in an alternate position thereof.

The broken lines showing environment or structure of the charging connector for electric vehicle are for illustrative purposes only and form no part of the claimed design.

1 Claim, 9 Drawing Sheets

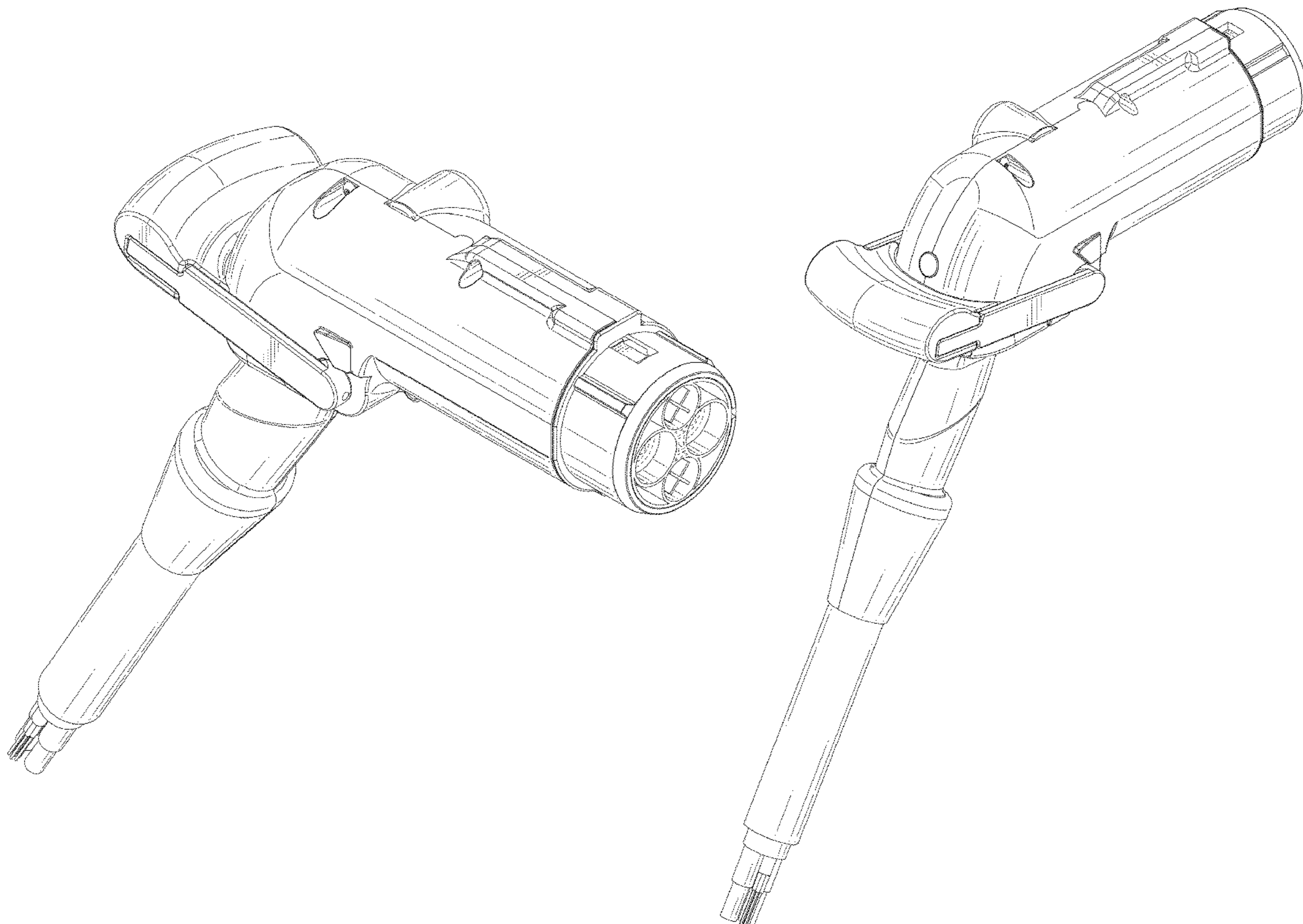


FIG. 1

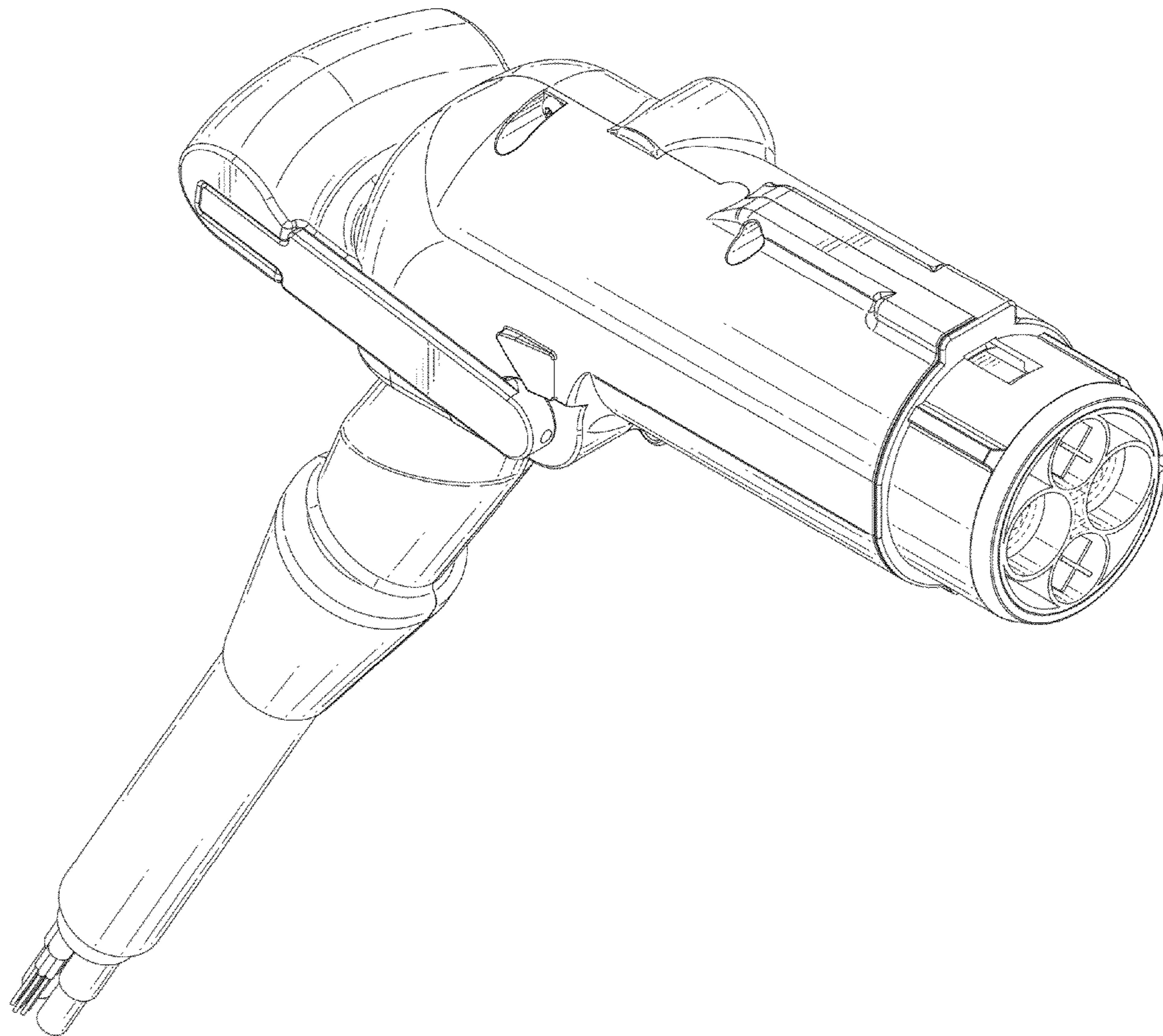


FIG. 2

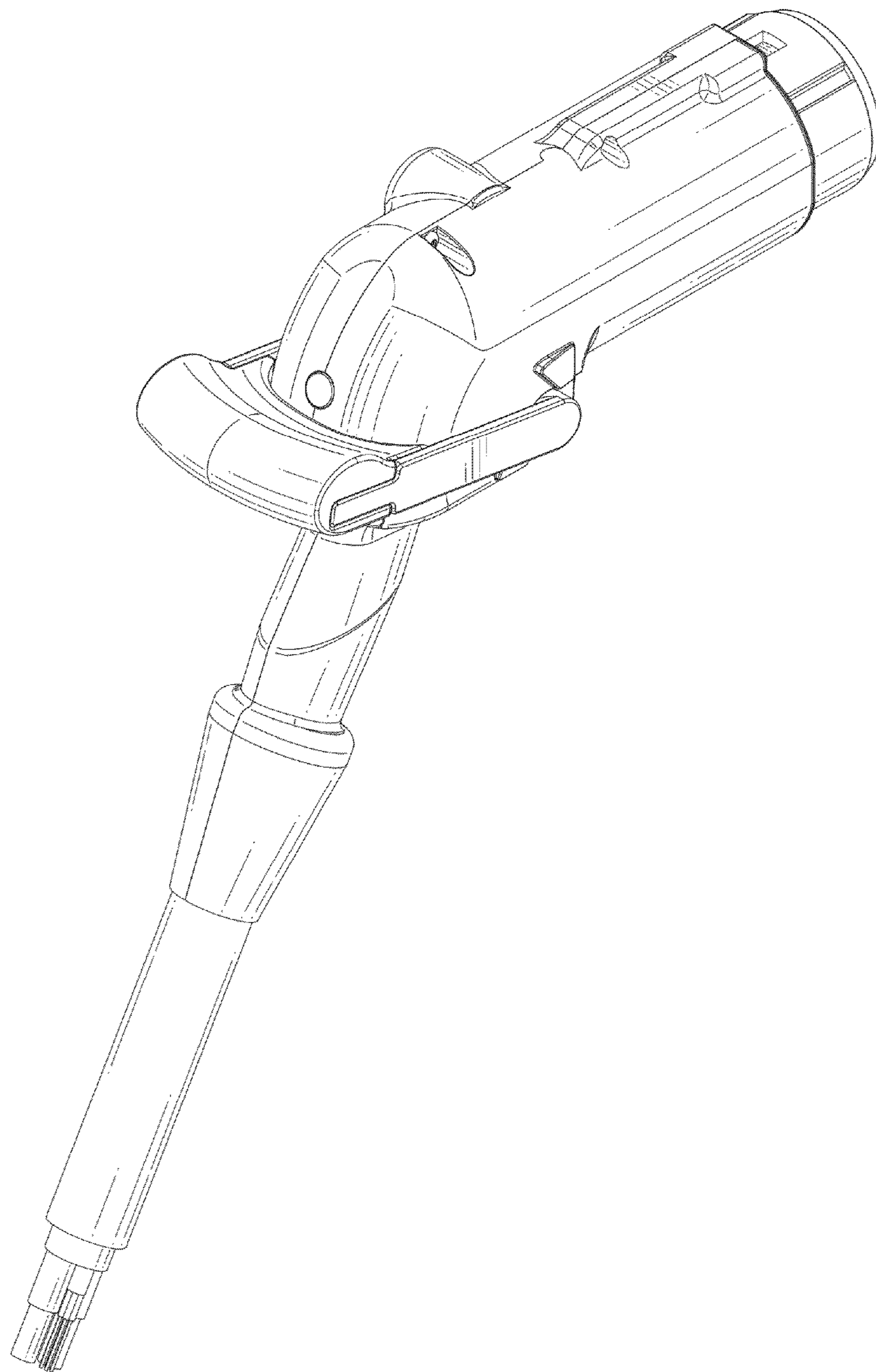


FIG. 3

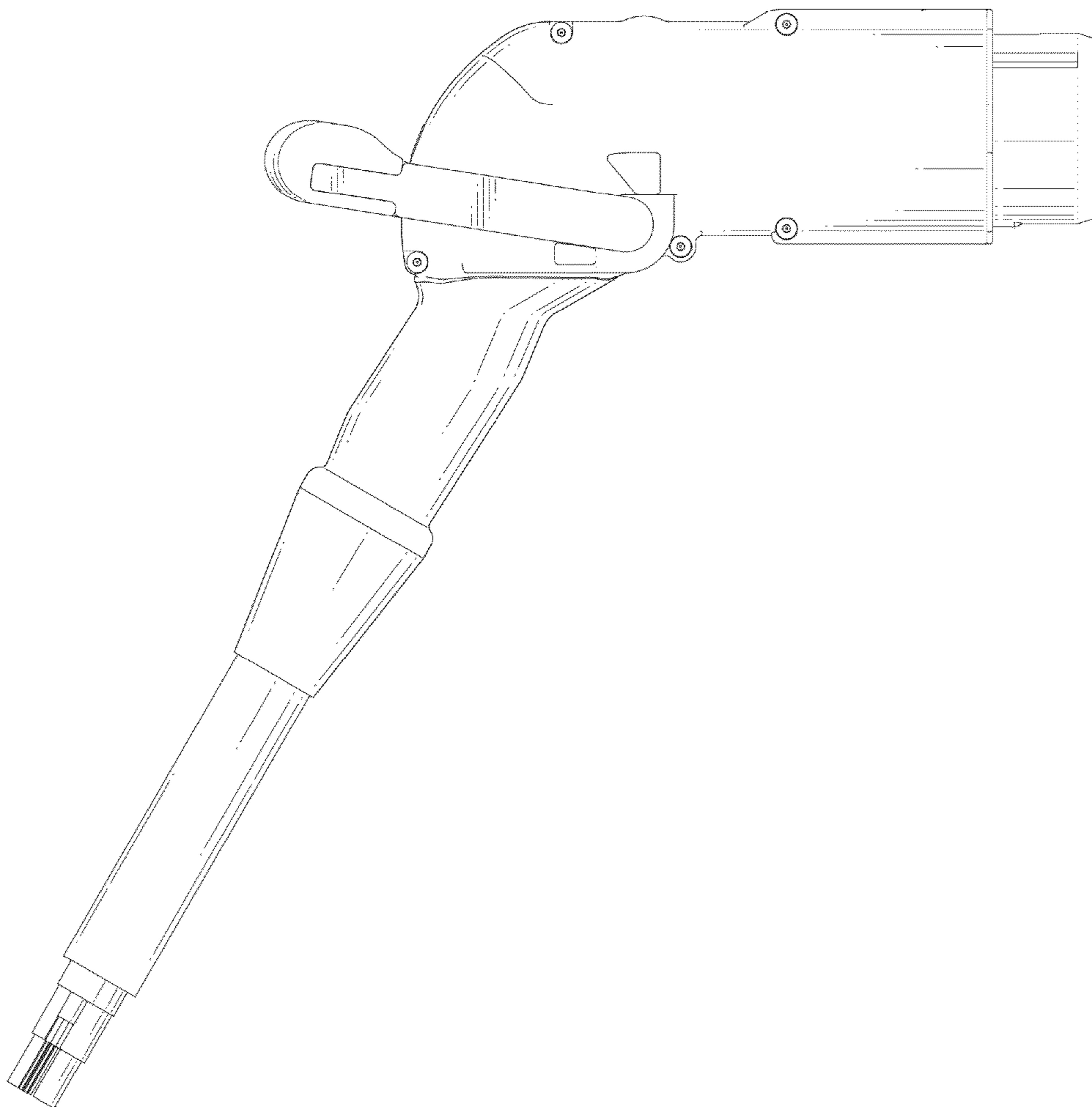


FIG. 4

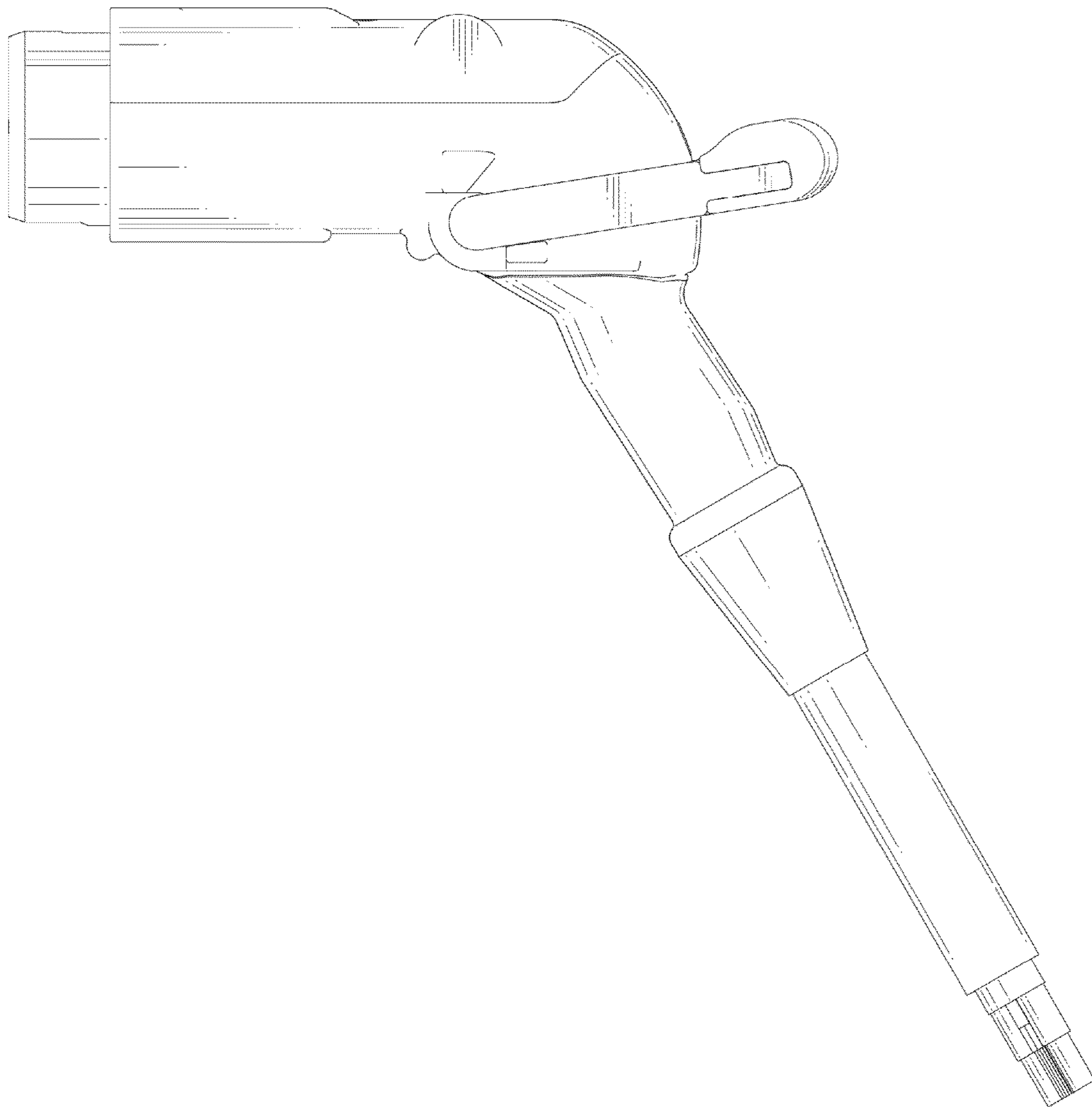


FIG. 5

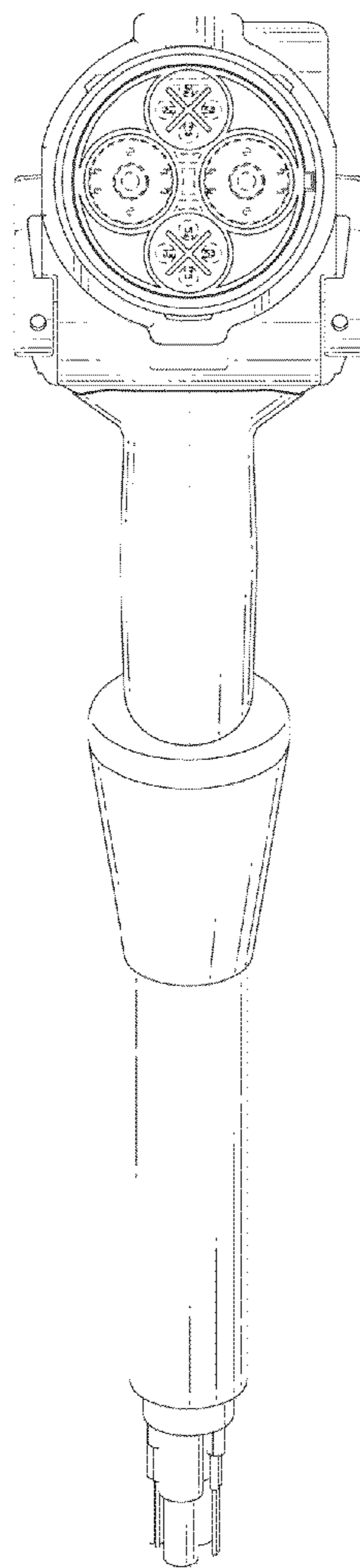


FIG. 6

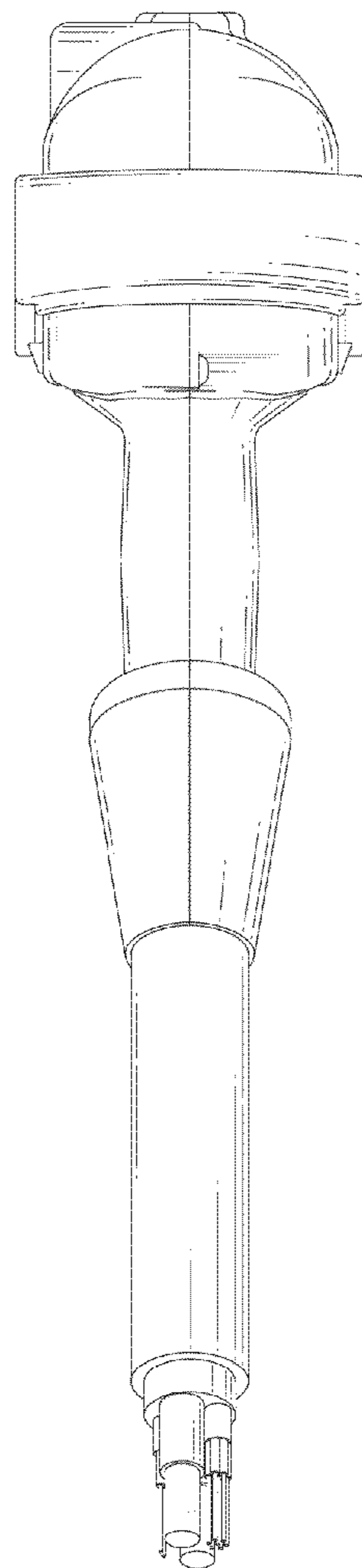


FIG. 7

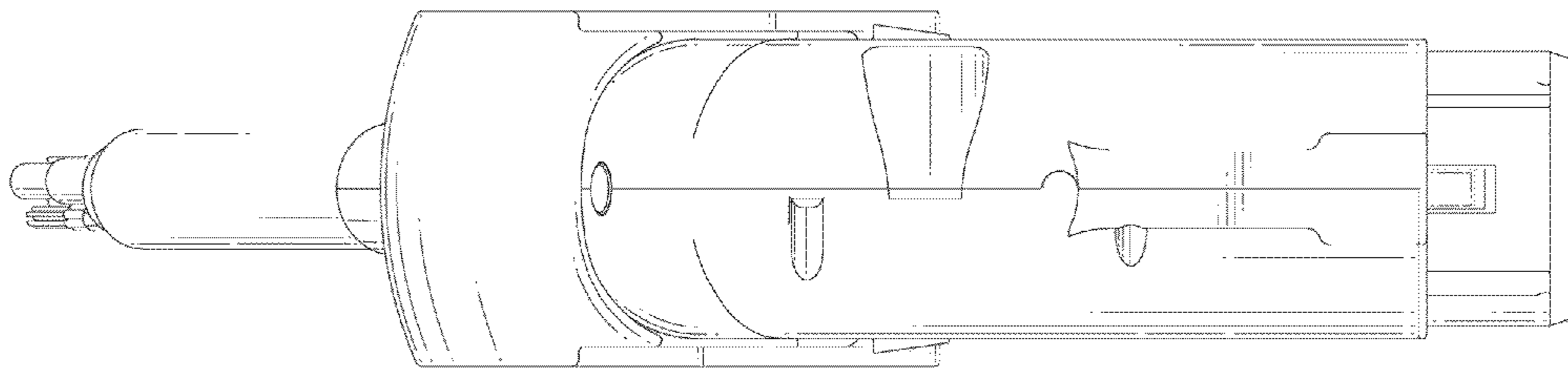


FIG. 8

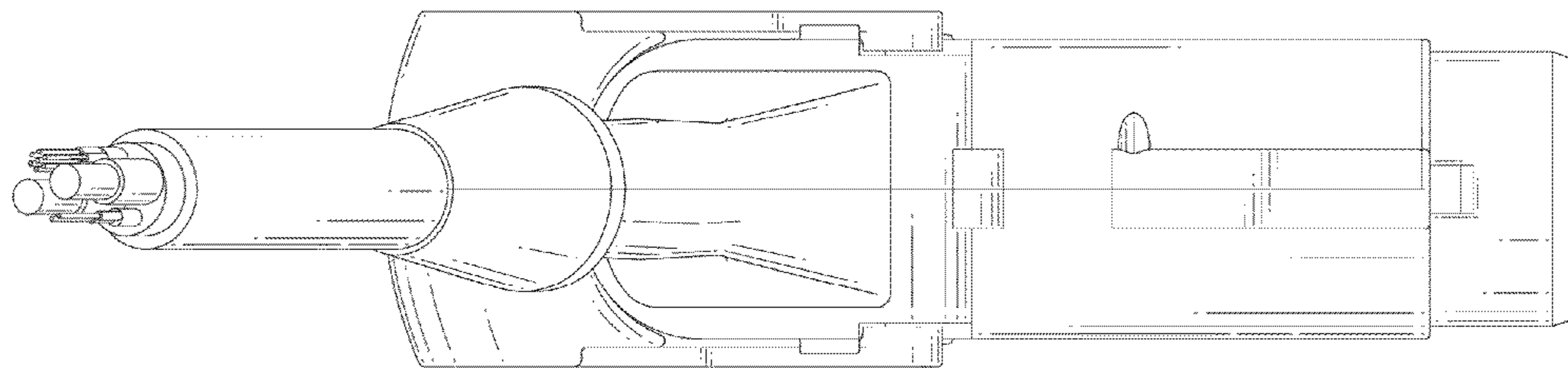


FIG. 9

