



US00D671073S

(12) **United States Design Patent**  
**Mori et al.**

(10) **Patent No.:** **US D671,073 S**  
(45) **Date of Patent:** **\*\* Nov. 20, 2012**

(54) **ELECTRIC CONNECTOR**

\* cited by examiner

(75) Inventors: **Shigeo Mori**, Kakegawa (JP); **Junya Nakano**, Shimada (JP)

*Primary Examiner* — Daniel Bui

(74) *Attorney, Agent, or Firm* — Sughrue Mion, PLLC

(73) Assignee: **Yazaki Corporation**, Tokyo (JP)

(\*\*) Term: **14 Years**

(57) **CLAIM**

The ornamental design for an electric connector, as shown and described.

(21) Appl. No.: **29/406,572**

(22) Filed: **Nov. 16, 2011**

**DESCRIPTION**

(30) **Foreign Application Priority Data**

May 17, 2011 (JP) ..... 2011-011017

(51) **LOC (9) Cl.** ..... **13-03**

(52) **U.S. Cl.** ..... **D13/133**

(58) **Field of Classification Search** ..... D13/107–108,  
D13/118–119, 133, 146, 147, 154, 184, 199;  
D23/226; 320/104, 107–115; 439/34, 266,  
439/310, 352, 372, 500, 660, 680, 700, 862  
See application file for complete search history.

FIG. 1 is a perspective view of the front, top and right side of an electric connector showing our new design;

FIG. 2 is a perspective view of the rear, top and left side thereof;

FIG. 3 is a front view thereof;

FIG. 4 is a rear view thereof;

FIG. 5 is a right side view thereof, a left side view being a mirror image thereof;

FIG. 6 is a top view thereof;

FIG. 7 is a bottom view thereof; and,

FIG. 8 is a right side view showing a condition in which the handle is turned down thereof.

The broken line portion of the figure drawings is included for the purpose of illustrating environment and forms no part of the claimed design.

(56) **References Cited**

**U.S. PATENT DOCUMENTS**

5,556,284 A \* 9/1996 Itou et al. .... 439/34  
D377,165 S \* 1/1997 Yoshioka et al. .... D13/146  
D378,292 S \* 3/1997 Yoshioka et al. .... D13/146  
5,627,448 A \* 5/1997 Okada et al. .... 439/133

**1 Claim, 6 Drawing Sheets**

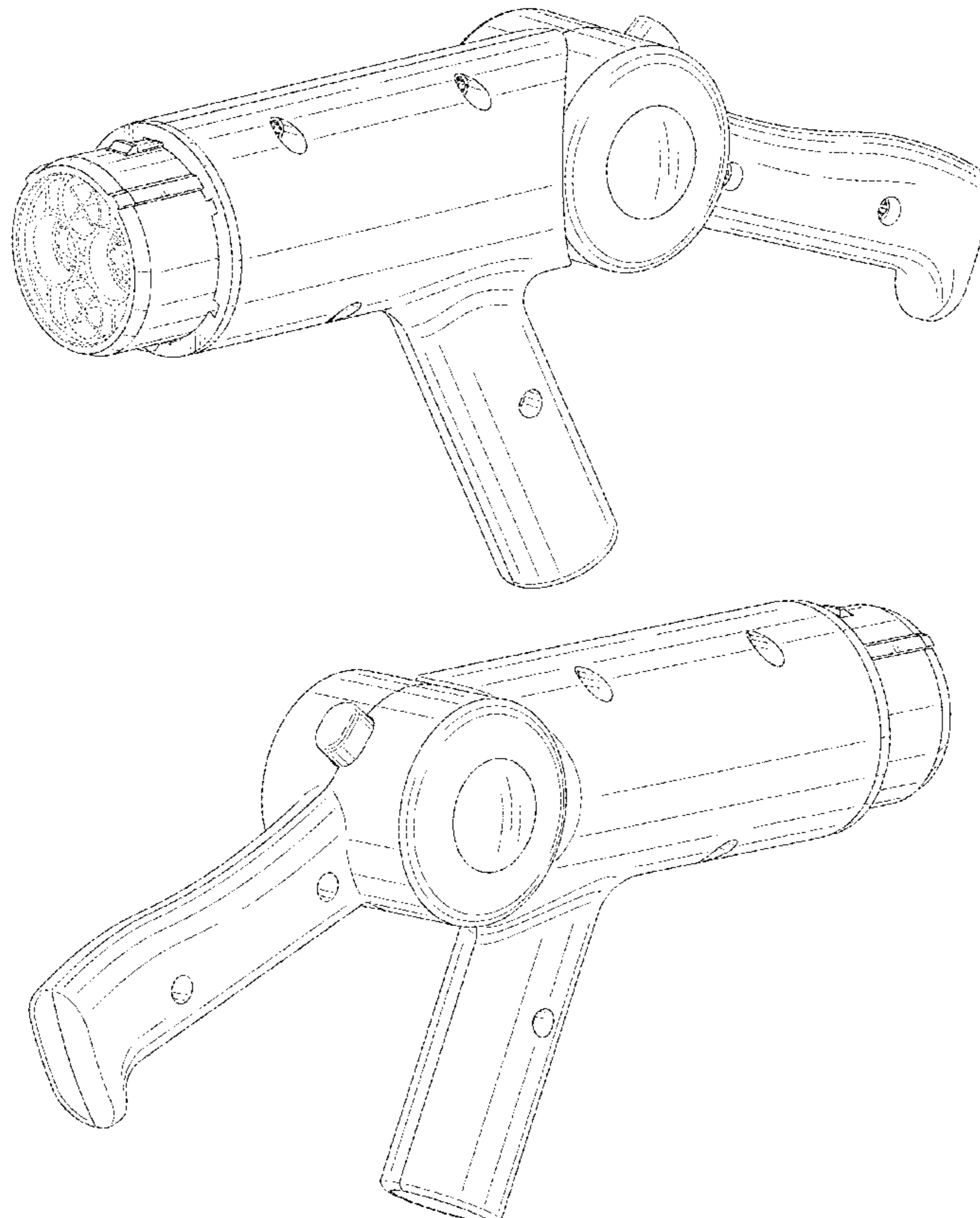


Fig. 1

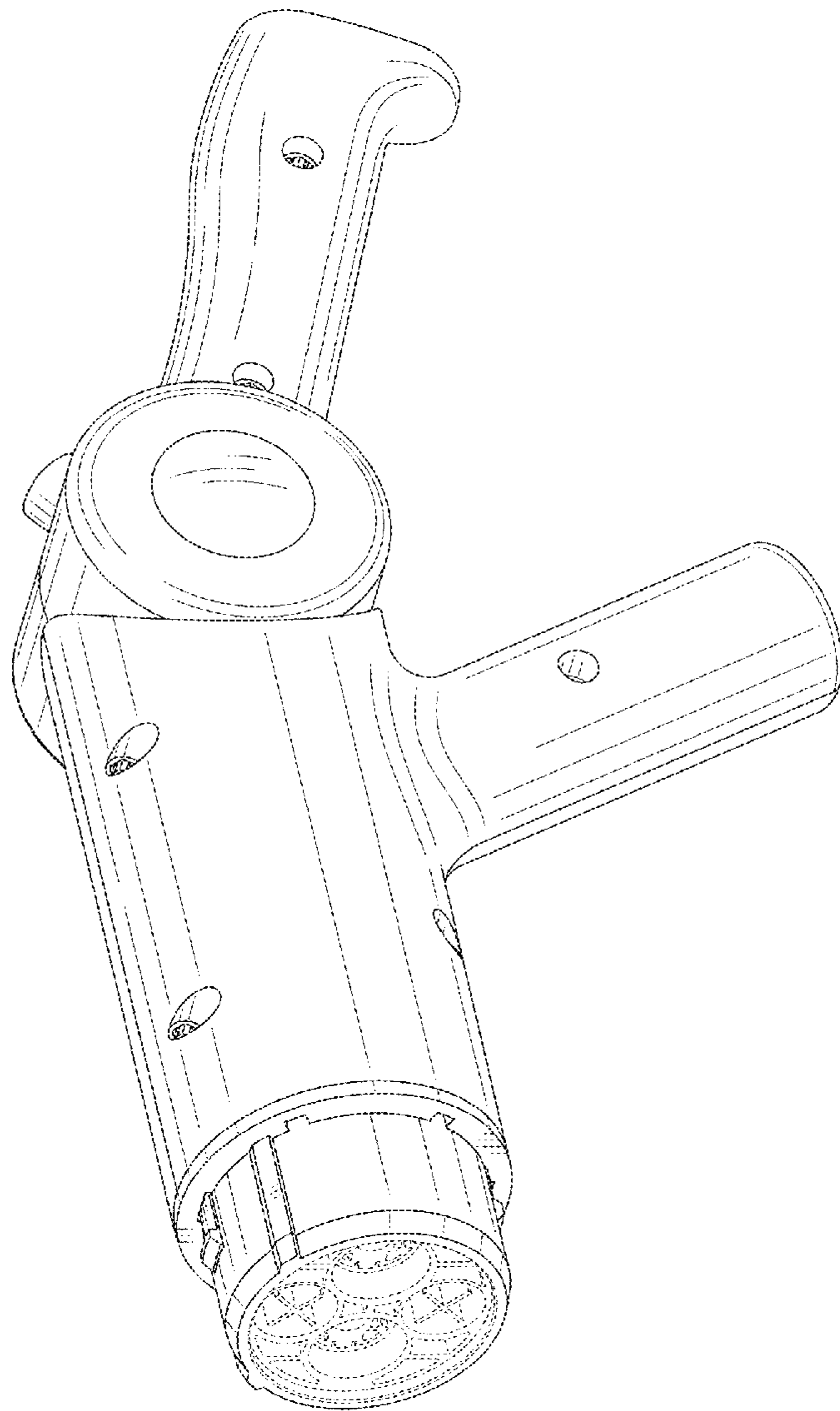


Fig. 2

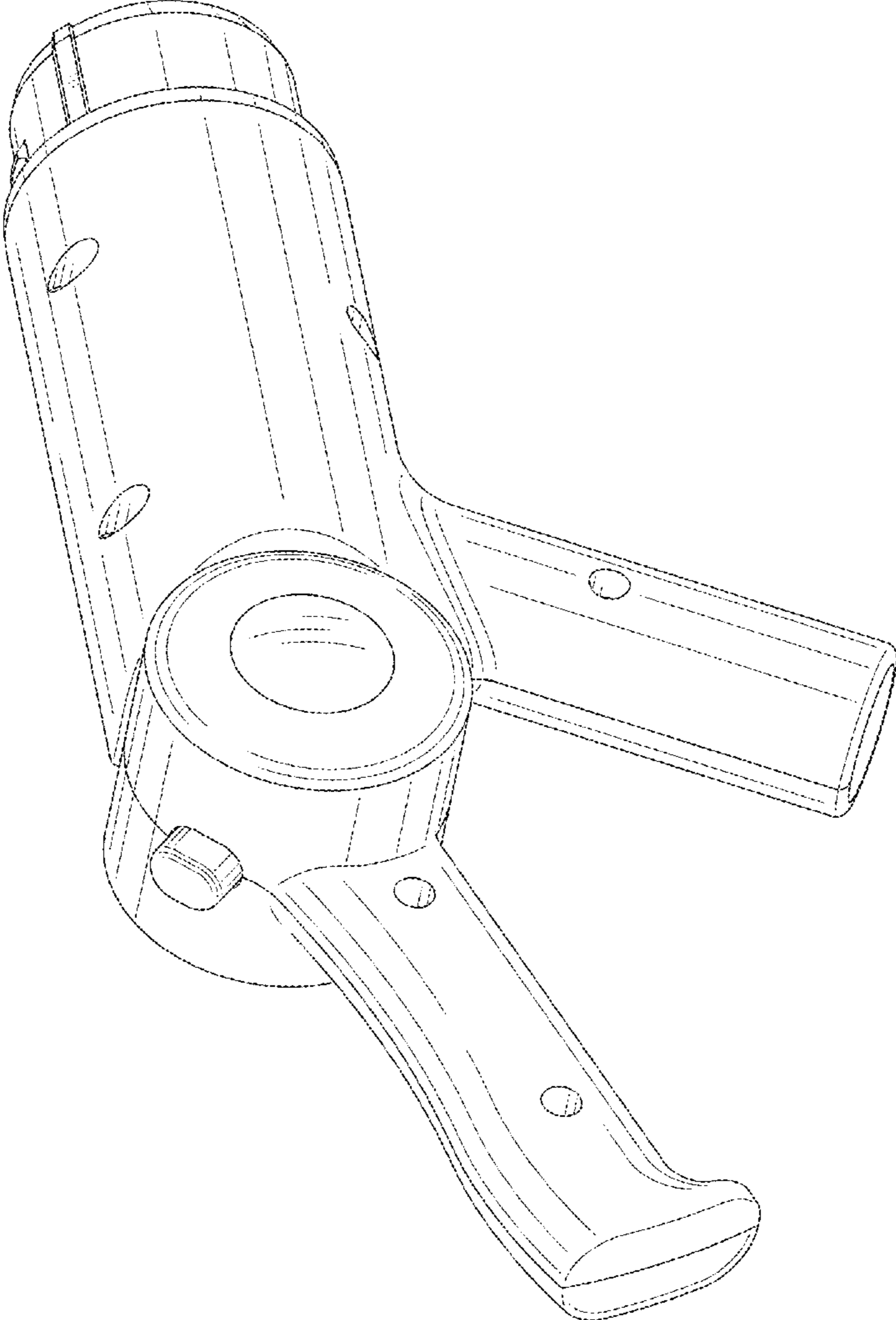


Fig. 4

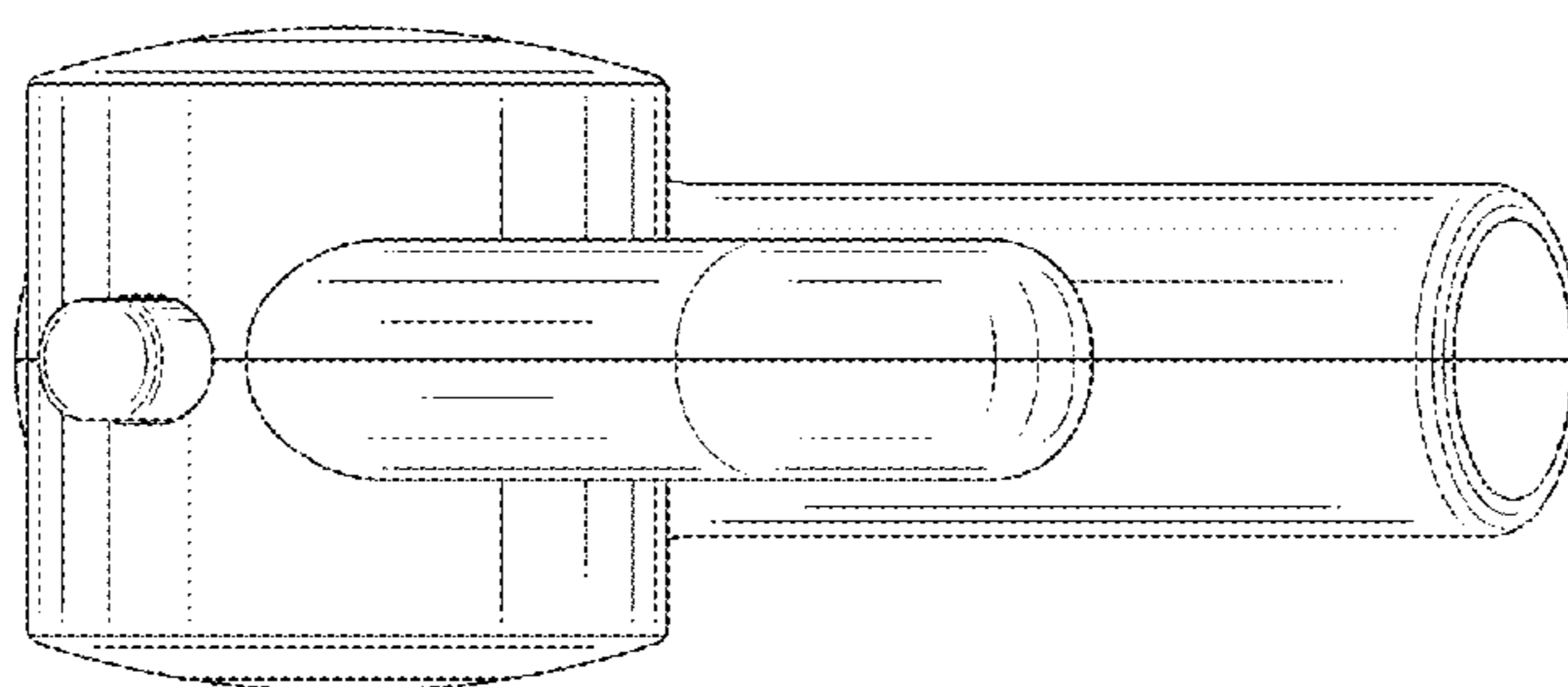


Fig. 3

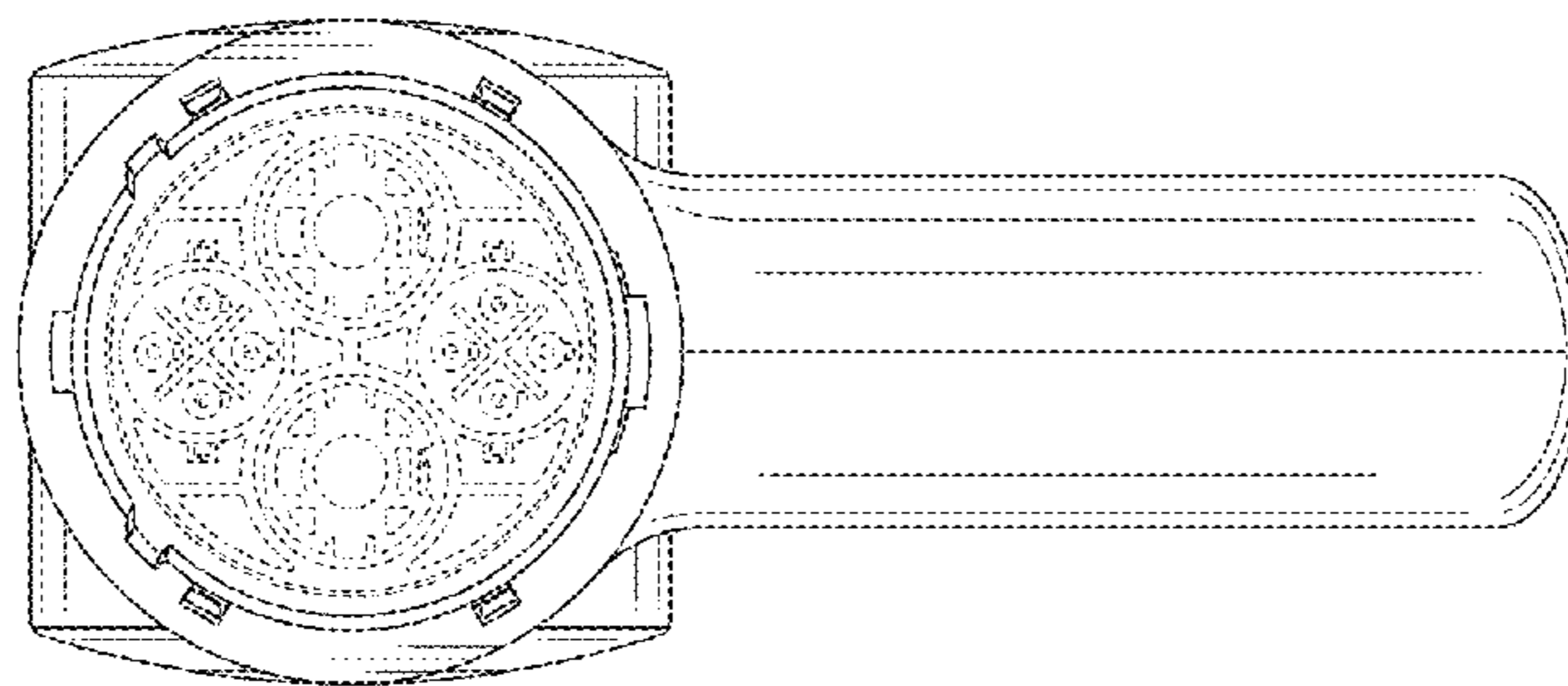


Fig. 5

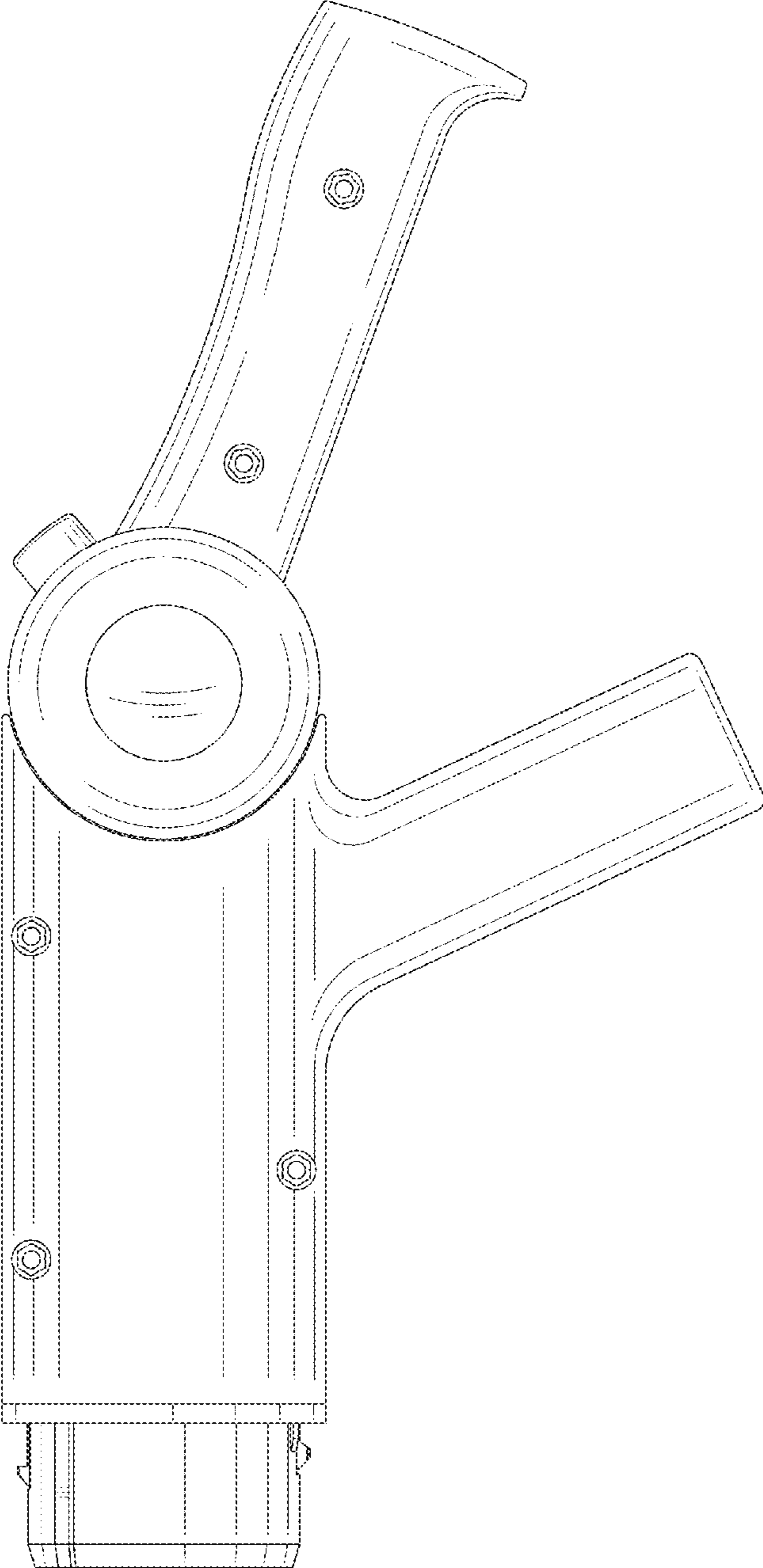


Fig. 6

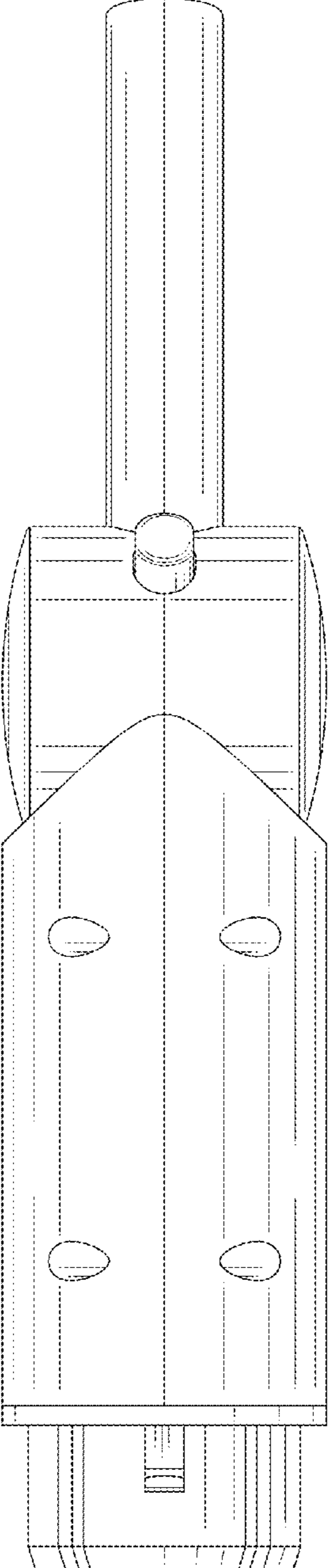


Fig. 7

