



US00D671072S

(12) **United States Design Patent**  
**Yarbrough et al.**

(10) **Patent No.:** **US D671,072 S**  
(45) **Date of Patent:** **\*\* Nov. 20, 2012**

(54) **BASE FOR A CLEAN ENERGY INFORMATION KIOSK**

(75) Inventors: **Claiborne Ewing Yarbrough**, Southern Shores, NC (US); **Jeremy Peang Meth**, Washington, NC (US); **Trevor Sherrick**, Grandy, NC (US); **Bridge McDowell**, Kitty Hawk, NC (US); **Addie Randall**, Washington, NC (US)

(73) Assignee: **Sprout Energy Corporation**, Edenton, NC (US)

(\*\*) Term: **14 Years**

(21) Appl. No.: **29/414,799**

(22) Filed: **Mar. 3, 2012**

(51) **LOC (9) Cl.** ..... **13-02**

(52) **U.S. Cl.** ..... **D13/118; D13/102; D13/115**

(58) **Field of Classification Search** ..... D13/118, D13/101, 102, 115, 162, 163, 184, 199; D14/125, D14/126, 127, 307, 371, 373, 374; 52/173.3; 126/569–578, 580, 609–612, 634, 640, 643, 126/652, 658, 680, 682, 683, 685, 689, 699; 136/206, 244–251, 256, 291, 292

See application file for complete search history.

(56) **References Cited**

**U.S. PATENT DOCUMENTS**

D517,006	S	*	3/2006	Bessmertny	.....	D13/102
D600,201	S	*	9/2009	Dallaire	.....	D13/102
D641,315	S	*	7/2011	Rock	.....	D13/102
D641,699	S	*	7/2011	Sayama et al.	.....	D13/115
D646,269	S	*	10/2011	Crick et al.	.....	D14/307
D659,085	S	*	5/2012	Olavarria et al.	.....	D13/102

**OTHER PUBLICATIONS**

Webpage as found Aug. 30, 2012 for Powersmiths—Power for the Future. (1 page) <http://ww2.powersmiths.com/index.php?q=content/powersmiths/products/sustainability-management/accessing-wow>. (Copyright 2010).

Press Release dated Jul. 2011, Heliotronics Introduces the SunTouch™ Kiosk Line (Heliotronics, Inc. [www.heliotronics.com](http://www.heliotronics.com)) (1 page).

Webpage as found Aug. 30, 2012 for NXGSolar showing a solar energy kiosk at <http://www.nxgsolar.com/Kiosk/tabid/65/Default.aspx>. (1 page) Copyright of 2009.

\* cited by examiner

*Primary Examiner* — Derrick Holland

(74) *Attorney, Agent, or Firm* — Kevin E. Flynn; Flynn IP Law

(57) **CLAIM**

The ornamental design for a base for a clean energy information kiosk, as shown and described.

**DESCRIPTION**

FIG. 1 is a left and front perspective view of a base for a clean energy information kiosk showing our new design in environmental use.

FIG. 2 is a right front perspective view thereof.

FIG. 3 is a front elevation thereof.

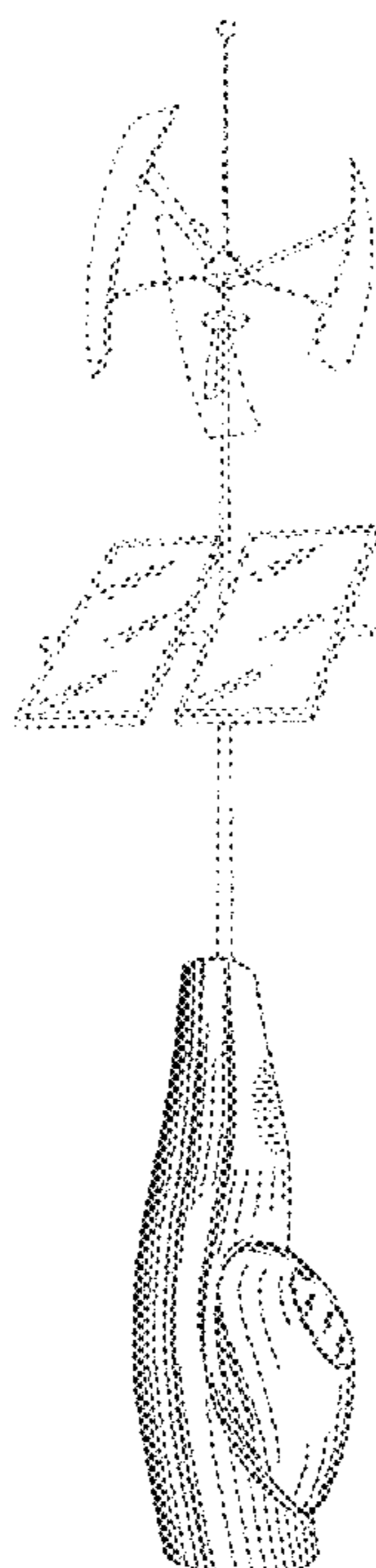
FIG. 4 is a rear elevation thereof.

FIG. 5 is a left side elevation thereof. The right side elevation being a mirror image of the left side elevation; and,

FIG. 6 is a top plan view thereof.

The broken lines shown represent unclaimed subject matter and form no part of the claimed design.

**1 Claim, 6 Drawing Sheets**



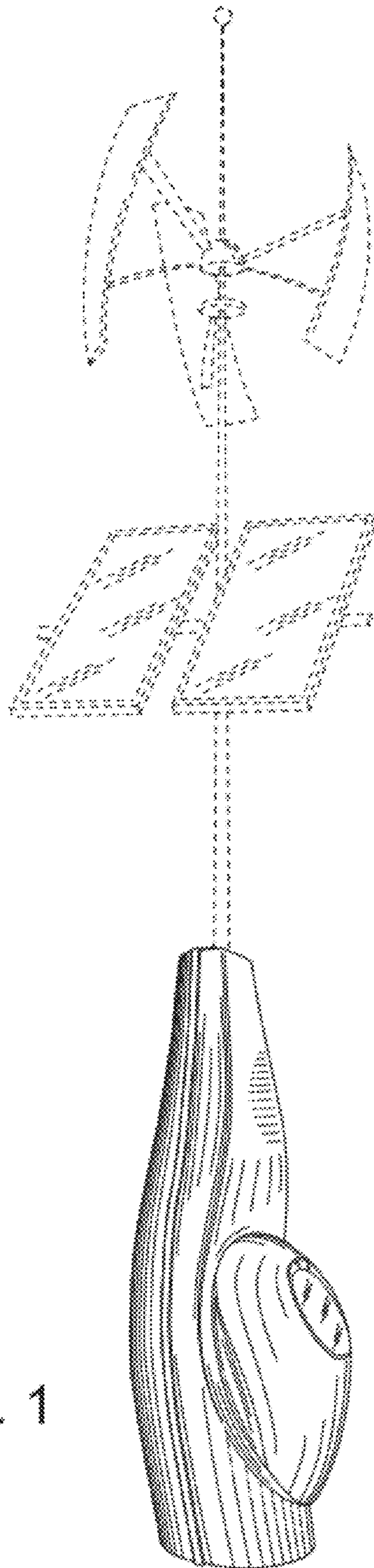


Fig. 1

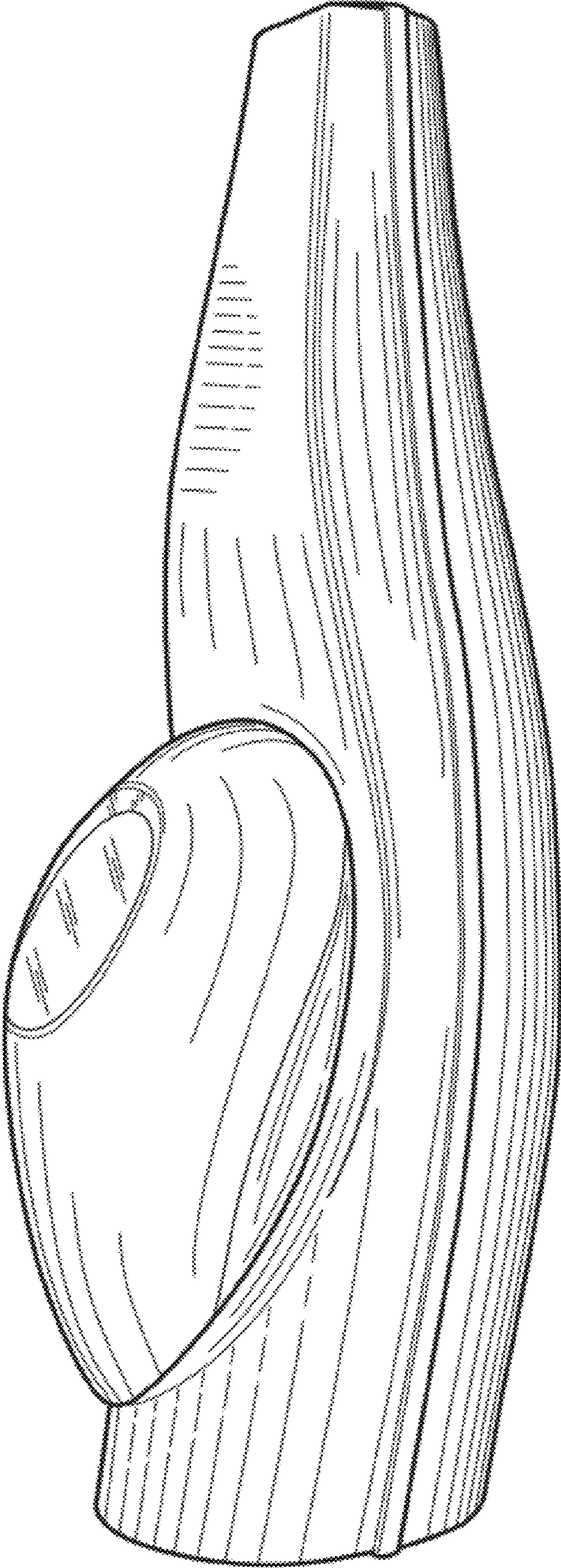


Fig. 2

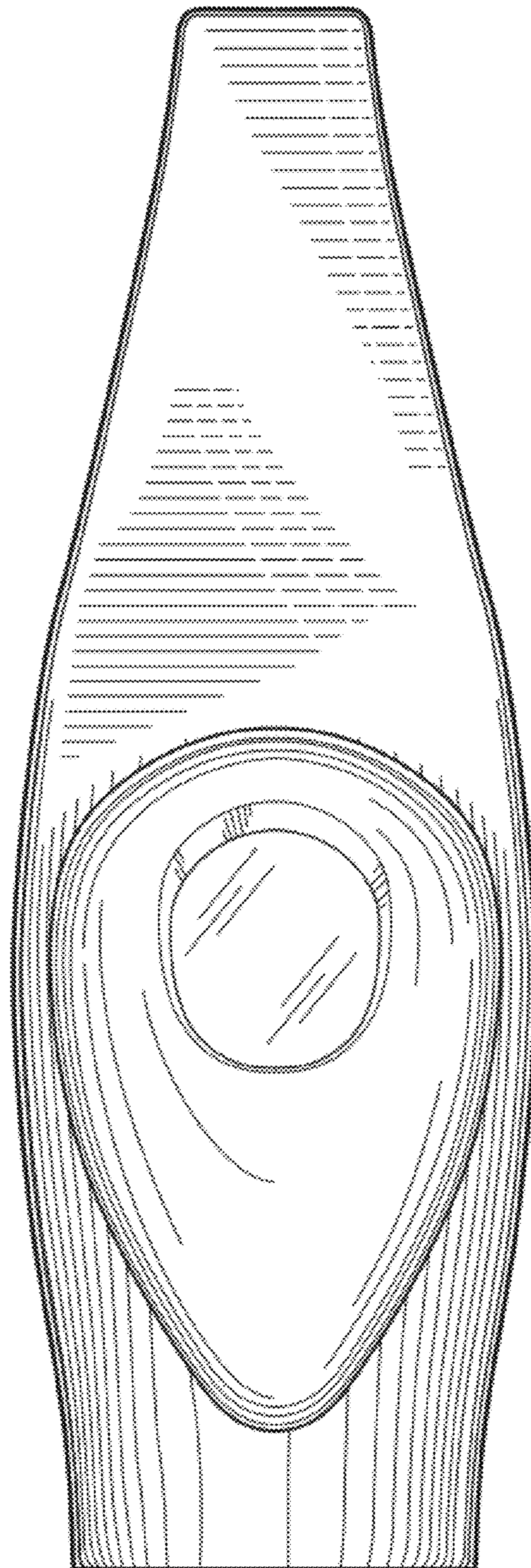


Fig. 3

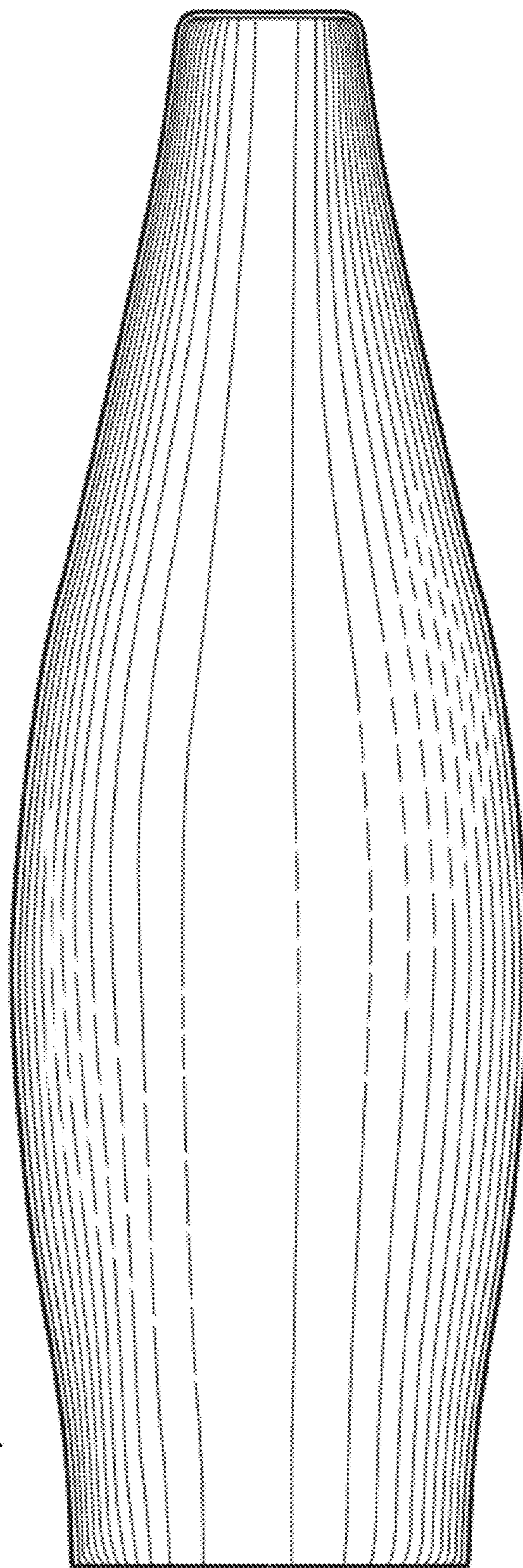


Fig. 4

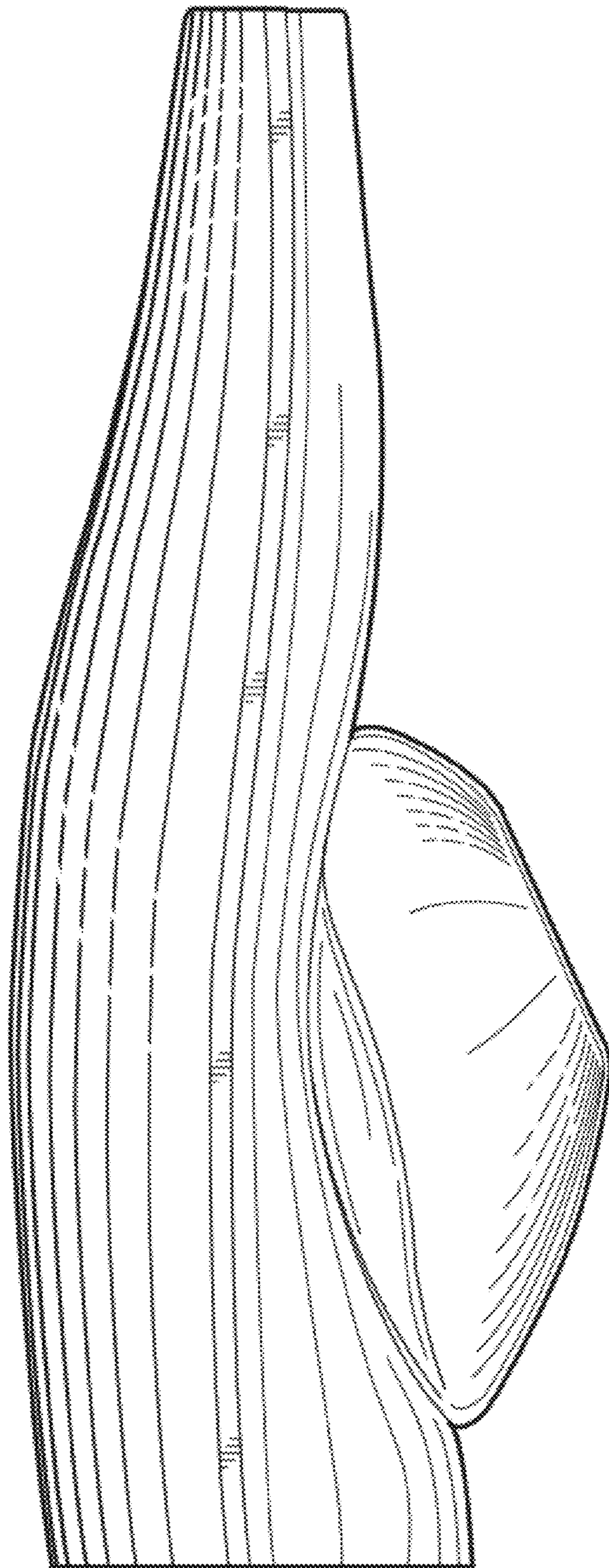


Fig. 5

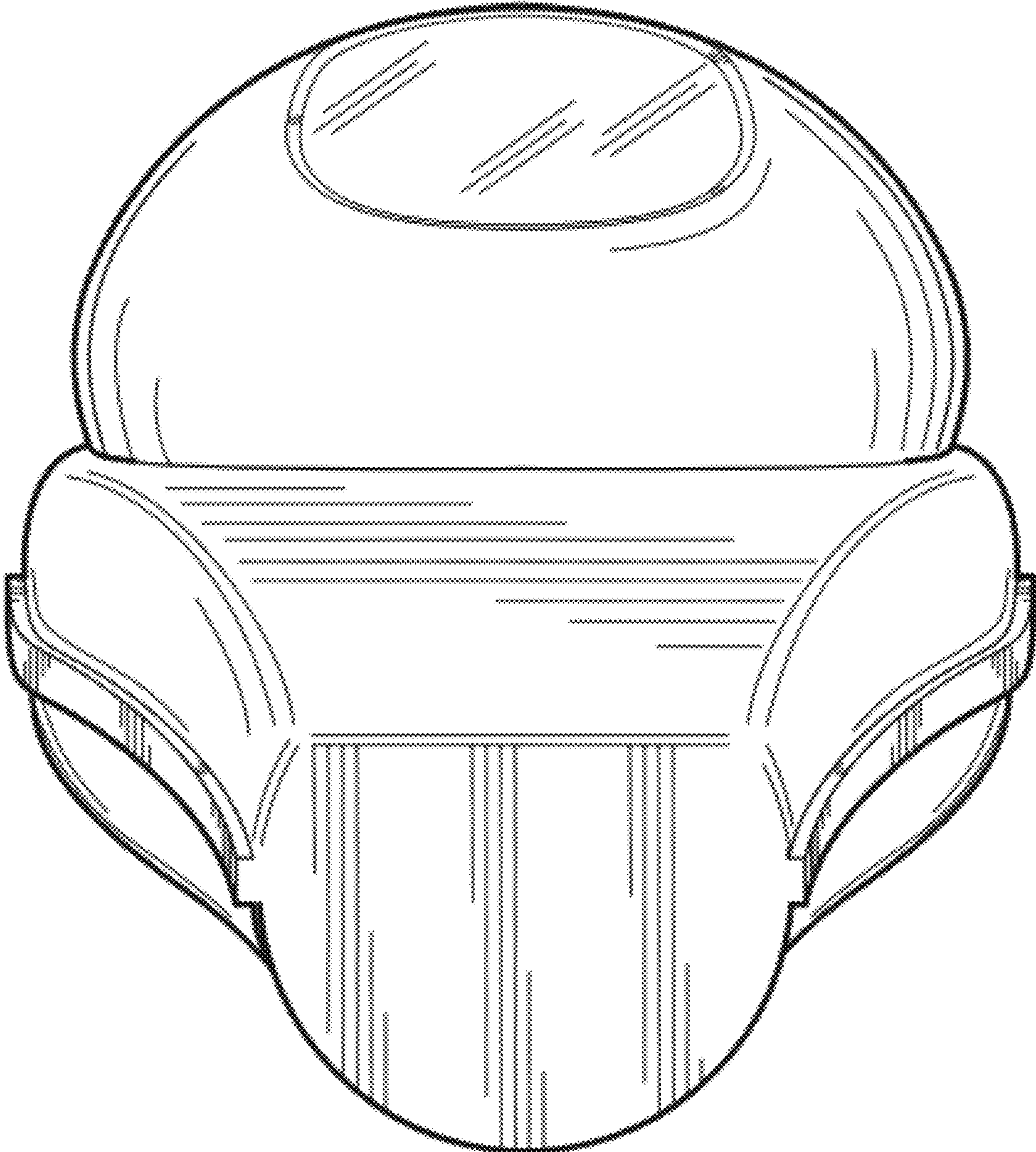


Fig. 6