



US00D671071S

(12) **United States Design Patent**
Ai et al.

(10) **Patent No.:** **US D671,071 S**
(45) **Date of Patent:** **** Nov. 20, 2012**

(54) **WIND TURBINE**

(75) Inventors: **Hsu-Fan Ai**, Guishan Township, Taoyuan County (TW); **Yuan-Ping Hsieh**, Guishan Township, Taoyuan County (TW); **Wei-Ming Lai**, Guishan Township, Taoyuan County (TW); **Wei-Chun Hsu**, Guishan Township, Taoyuan County (TW); **Yuan-Ying Wang**, Guishan Township, Taoyuan County (TW)

(73) Assignee: **Delta Electronics, Inc.**, Taoyuan County (TW)

(**) Term: **14 Years**

(21) Appl. No.: **29/419,451**

(22) Filed: **Apr. 27, 2012**

(51) **LOC (9) Cl.** **13-01**

(52) **U.S. Cl.** **D13/115**

(58) **Field of Classification Search** D13/115, D13/101, 199; D15/1, 199; 290/43, 44; 415/4.1, 4.3, 4.5, 56.3, 122.1; 416/9, 12, 416/23, 24, 32, 37, 38, 44, 115, 117, 132 B, 416/132 R, 142, 169, 196 A, 197 A
See application file for complete search history.

(56) **References Cited**

U.S. PATENT DOCUMENTS

D271,303 S * 11/1983 Ovelmen D15/1
4,498,017 A * 2/1985 Parkins 290/44

5,354,175 A * 10/1994 Coleman et al. 416/9
D480,360 S * 10/2003 Bayly D13/115
D517,986 S * 3/2006 Wobben D13/115
D584,686 S * 1/2009 Gudewer D13/115
D602,861 S * 10/2009 Talab D13/115
2004/0057828 A1* 3/2004 Bosche 416/1

* cited by examiner

Primary Examiner — Derrick Holland

(74) *Attorney, Agent, or Firm* — Chun-Ming Shih; HDLS IPR Services

(57) **CLAIM**

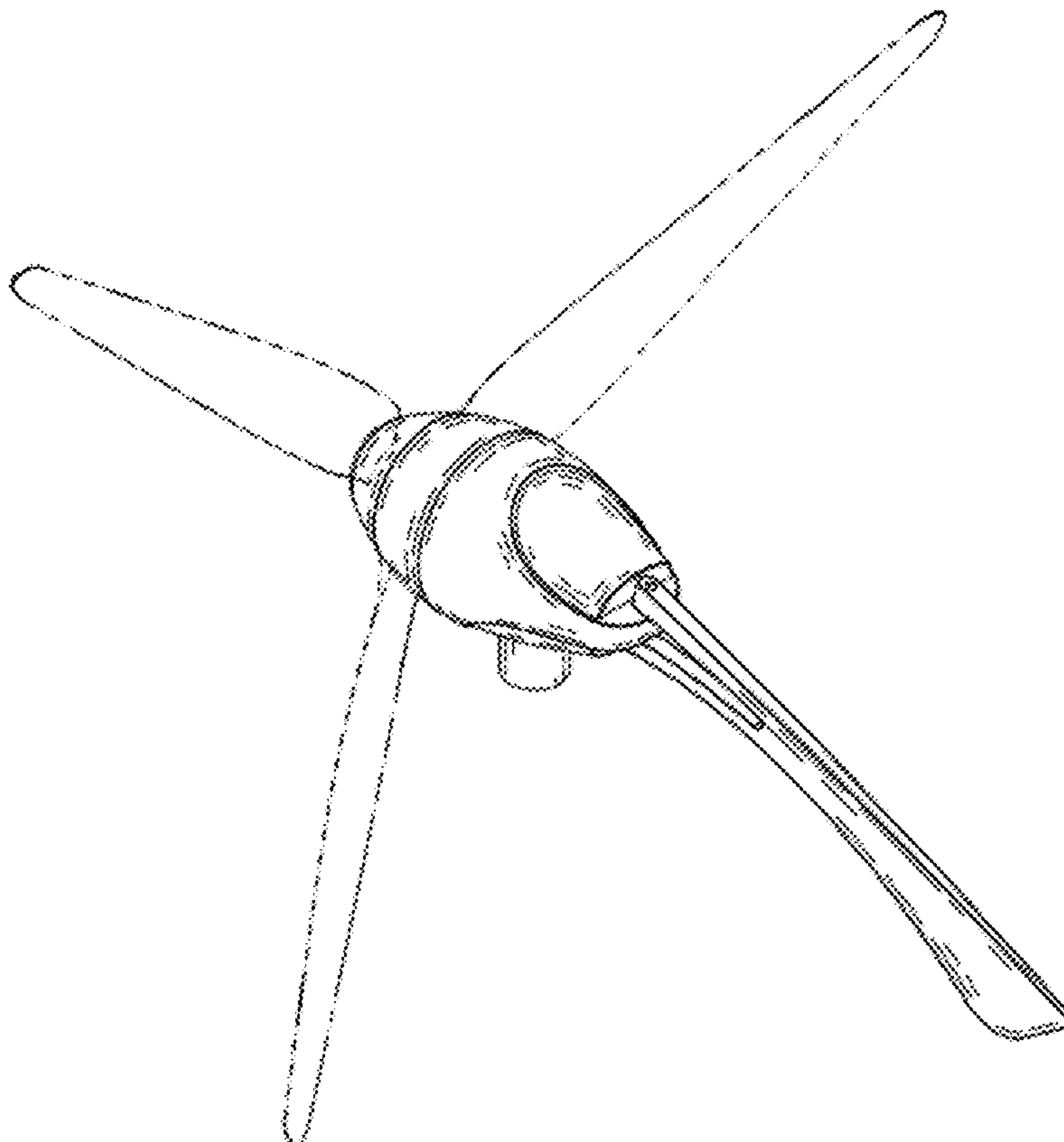
The ornamental design for a wind turbine, as shown and described.

DESCRIPTION

FIG. 1 is a perspective view of a wind turbine showing our new design;
FIG. 2 is a front view thereof;
FIG. 3 is a rear view thereof;
FIG. 4 is a left side view thereof;
FIG. 5 is a right side view thereof;
FIG. 6 is a top view thereof; and,
FIG. 7 is a bottom view thereof.

The broken lines shown represent unclaimed subject matter and form no part of the claimed design.

1 Claim, 7 Drawing Sheets



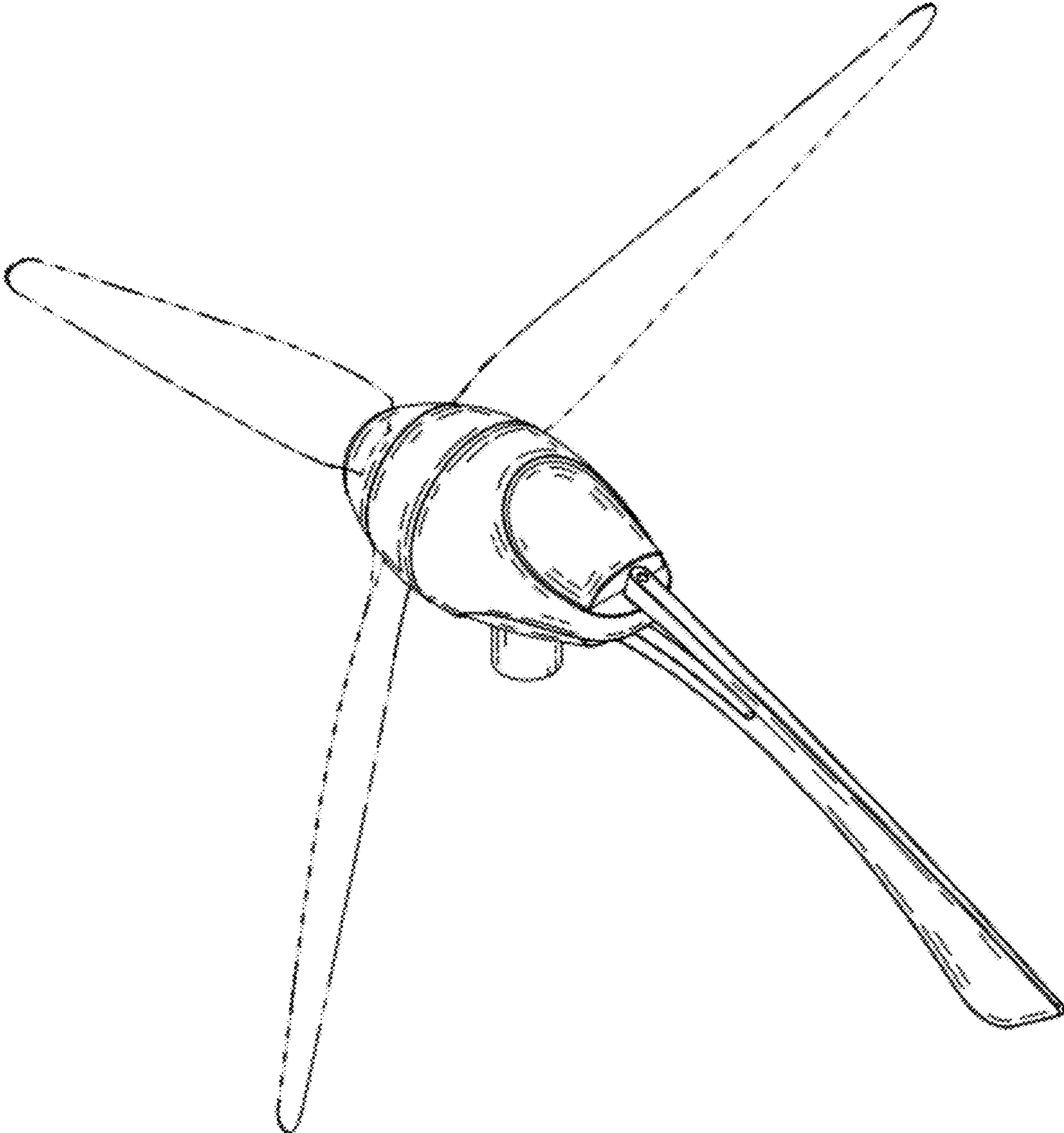


FIG. 1

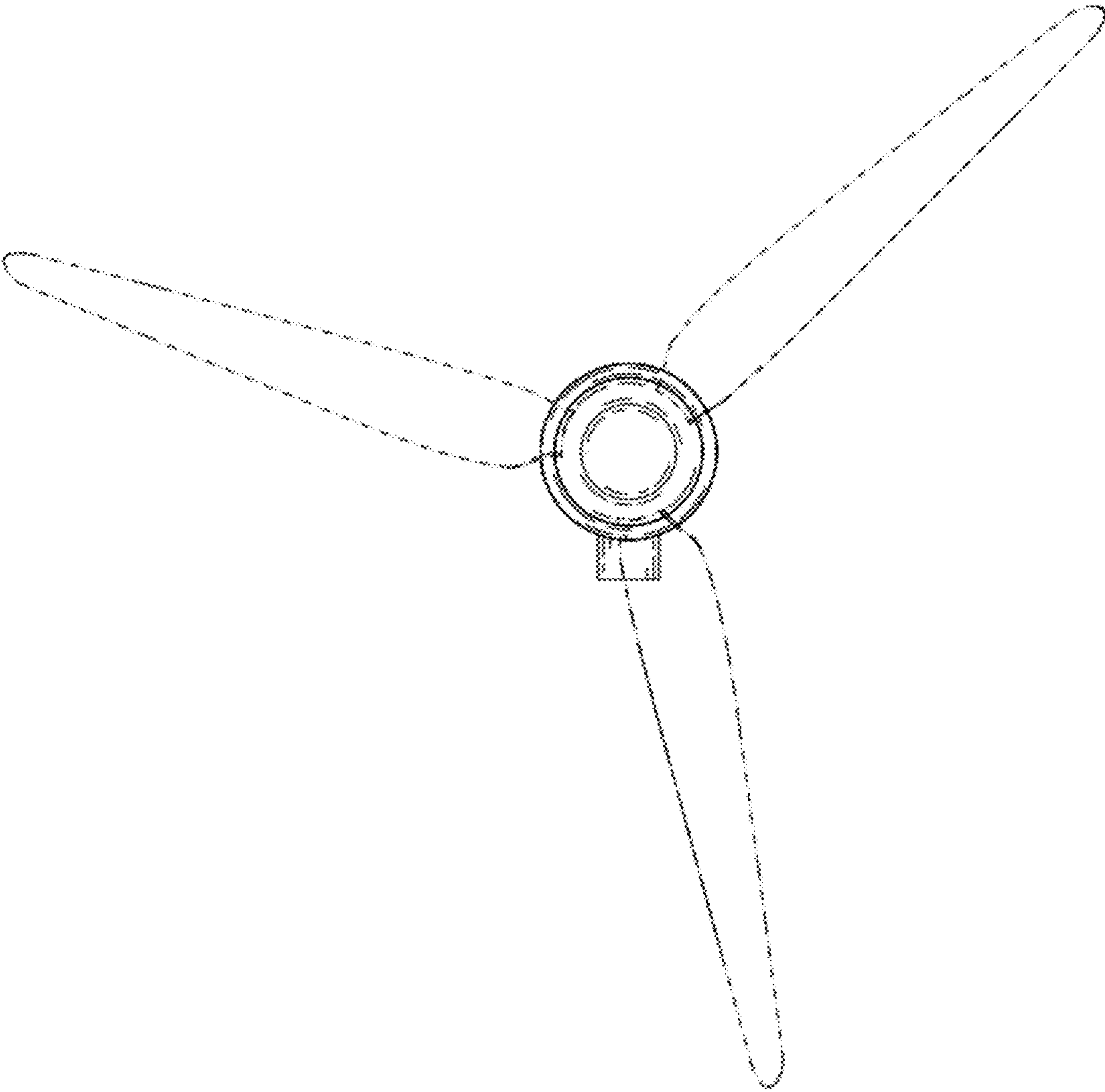


FIG.2

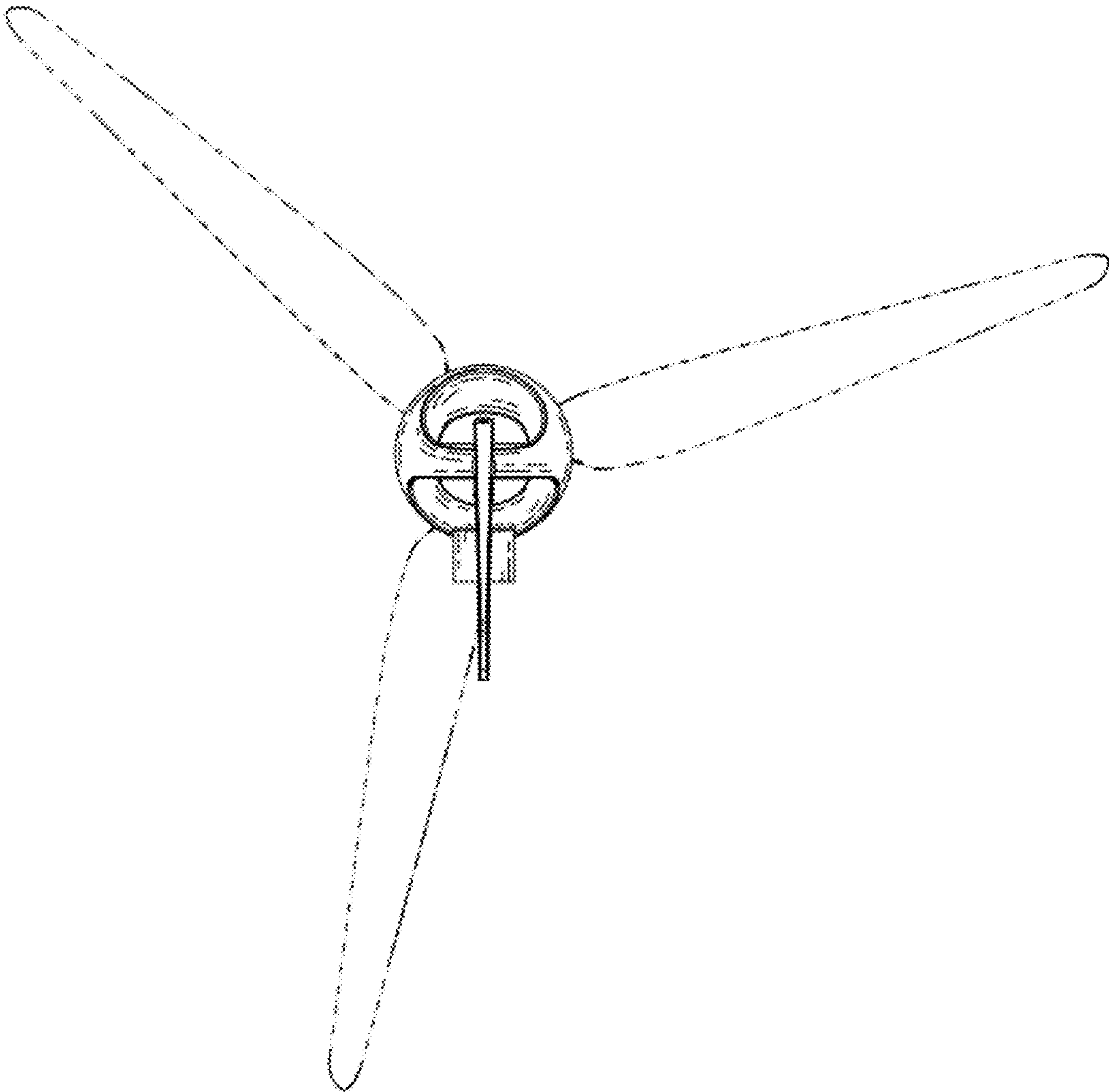


FIG.3

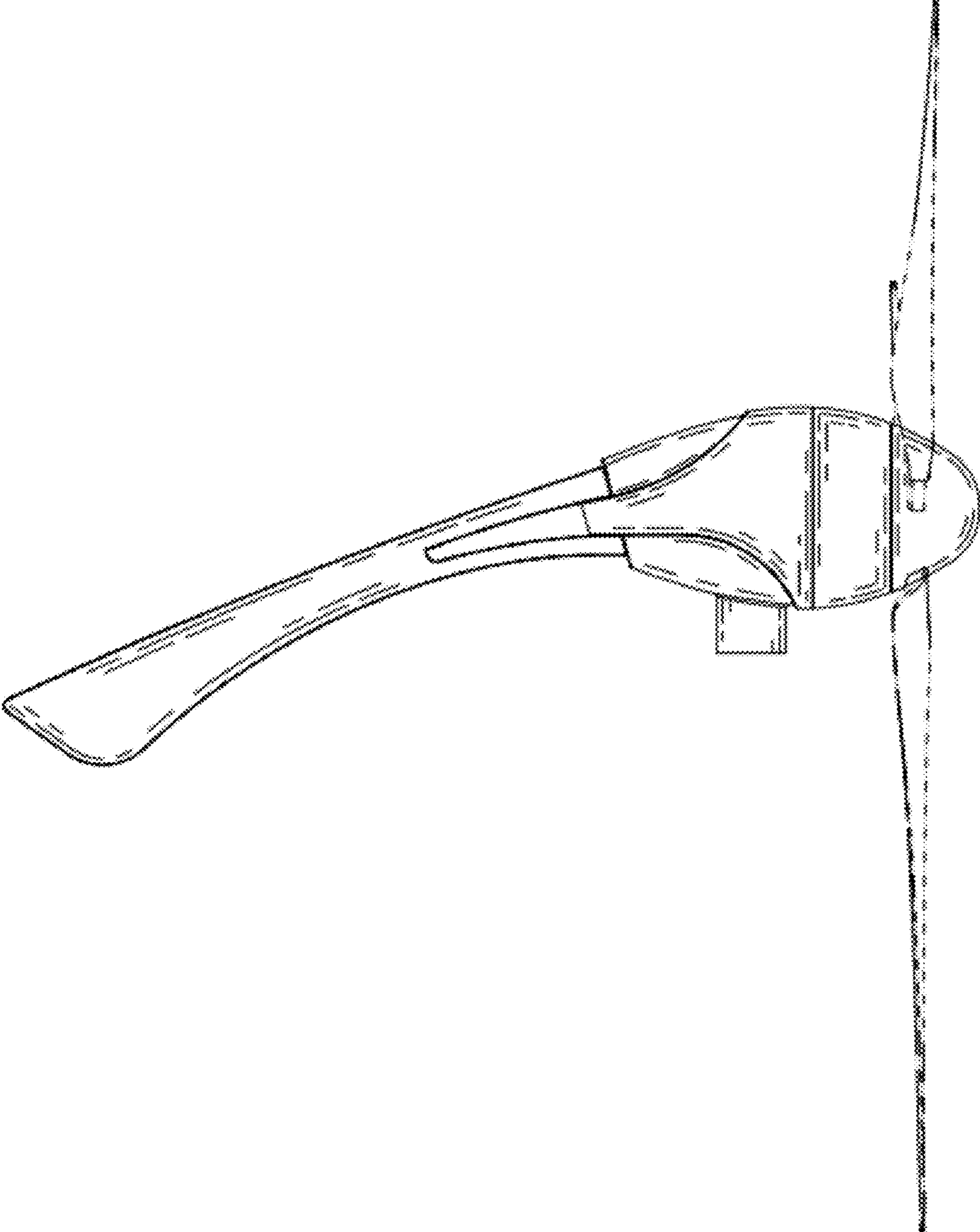


FIG.4

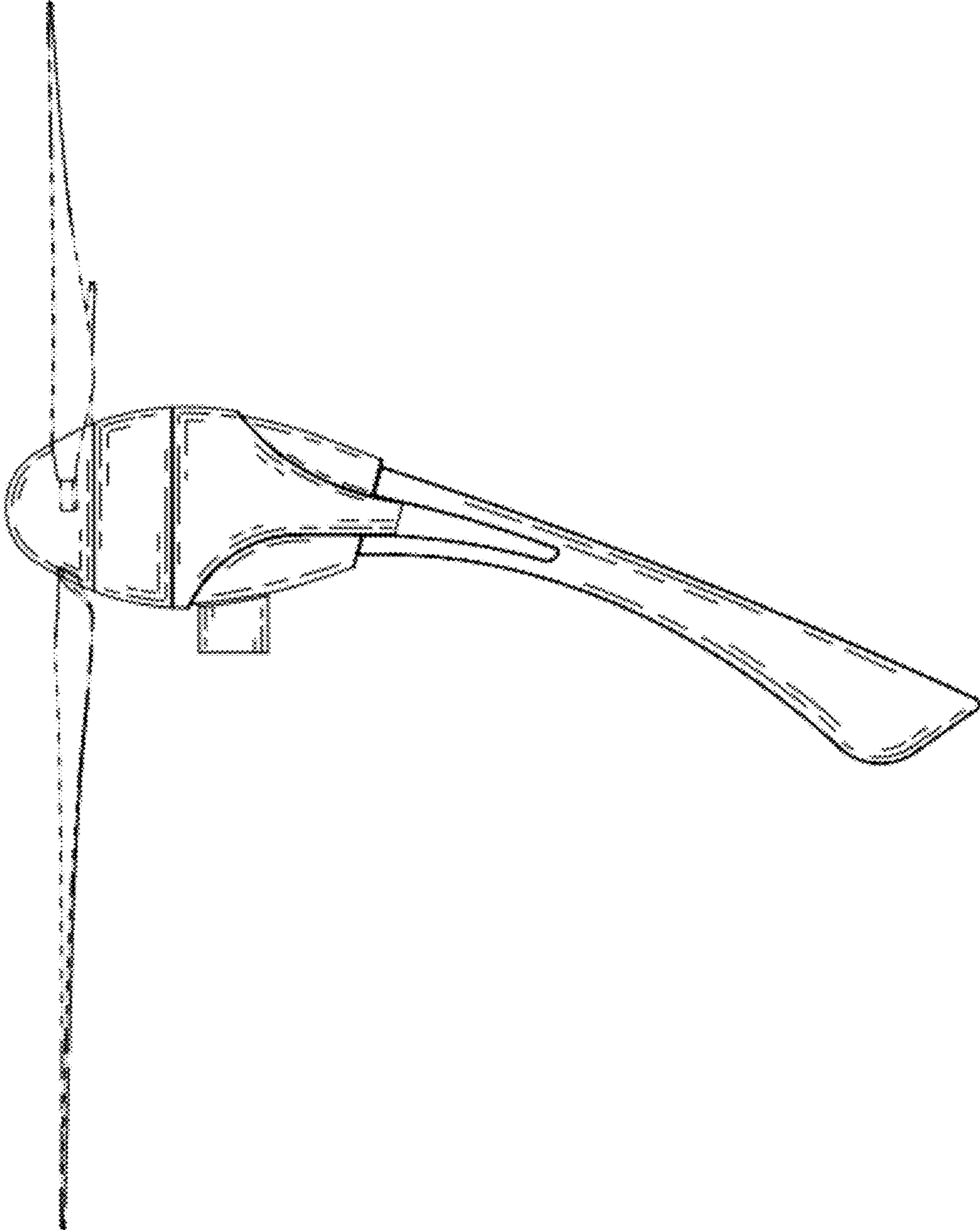


FIG.5

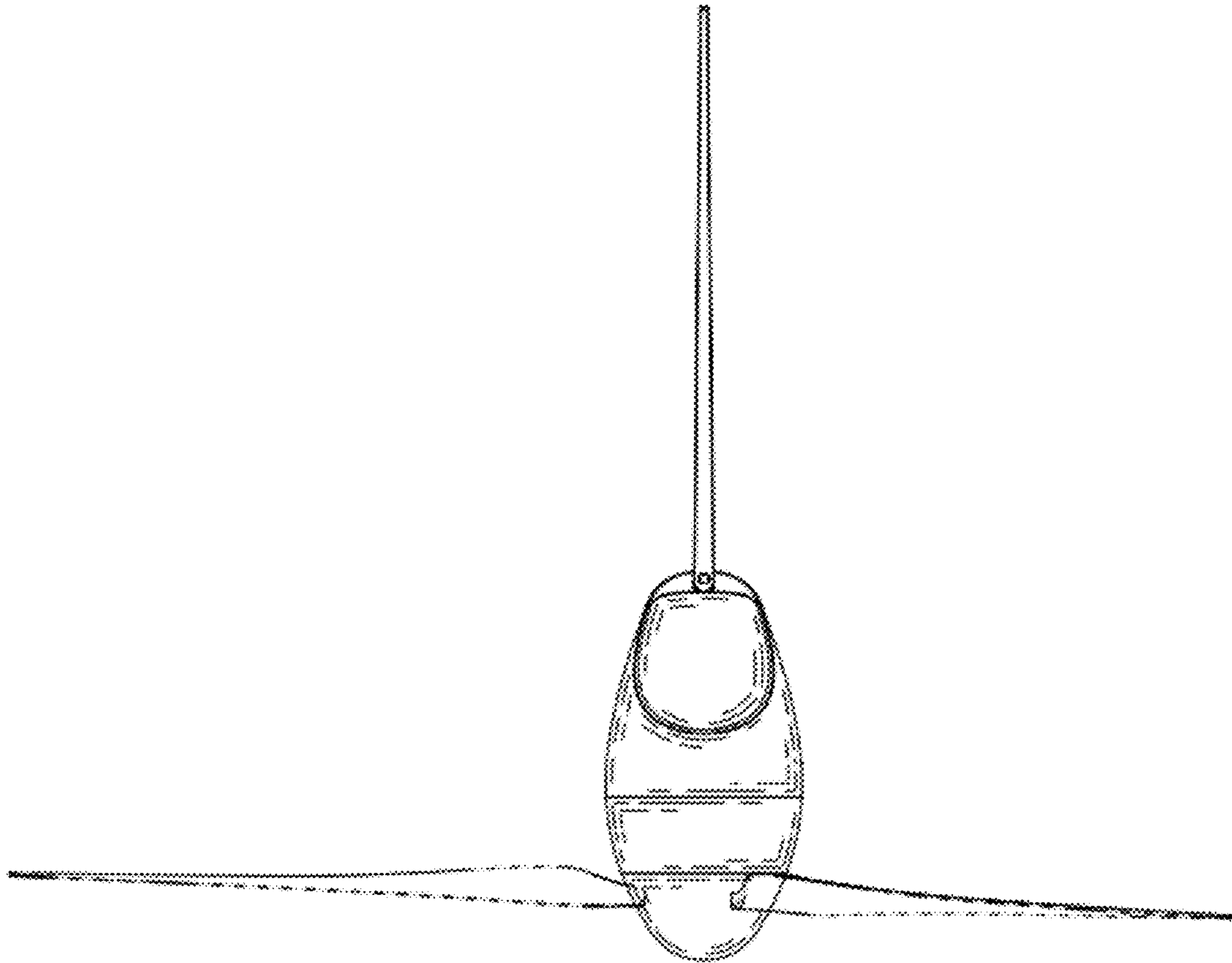


FIG.6

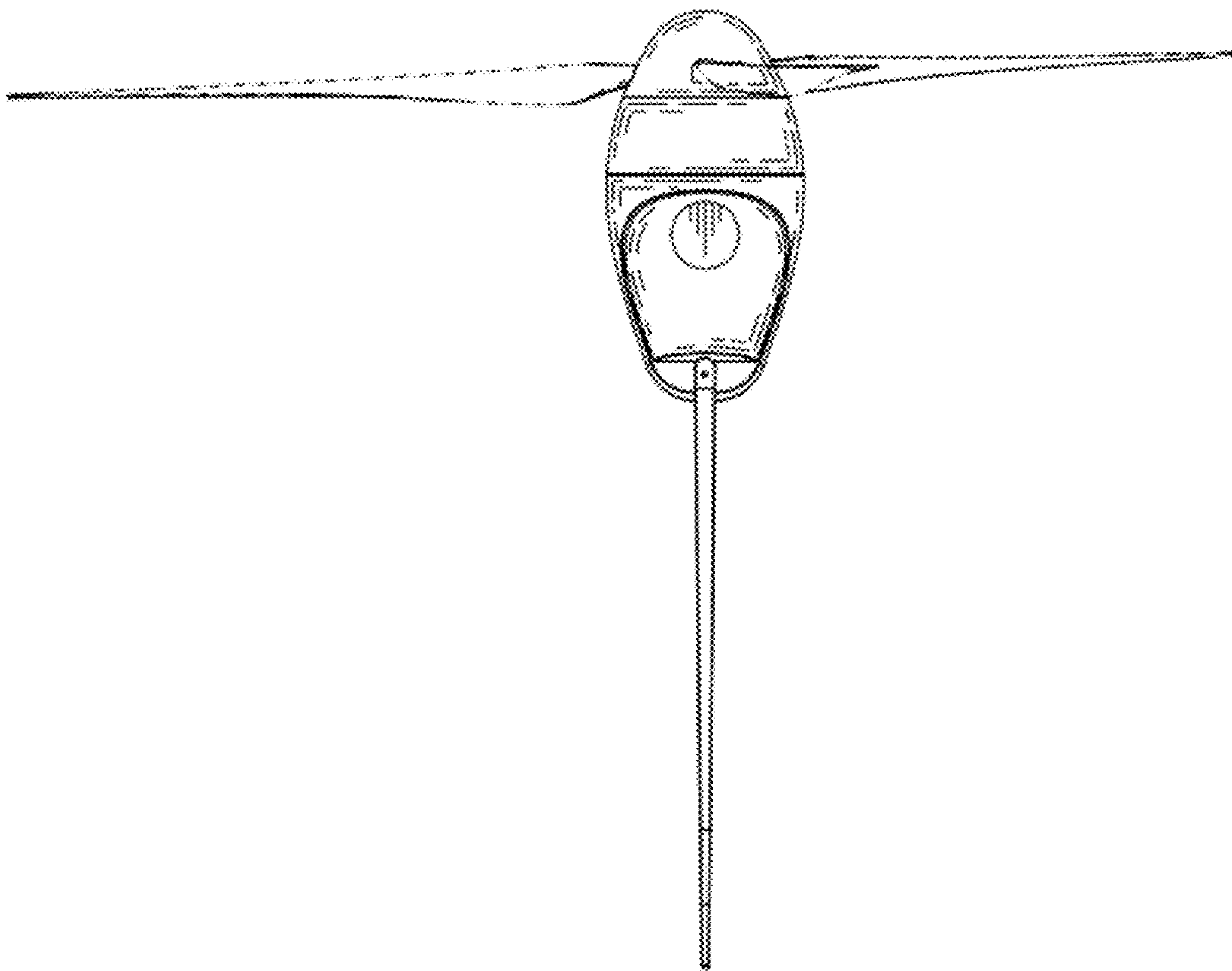


FIG.7