



US00D671069S

(12) **United States Design Patent**
Ward

(10) **Patent No.:** **US D671,069 S**

(45) **Date of Patent:** **** Nov. 20, 2012**

(54) **CAPACITOR HOUSING**

(75) **Inventor:** **Charles Barry Ward**, Merritt Island, FL
(US)

(73) **Assignee:** **Diversitech Corporation**, Duluth, GA
(US)

(**) **Term:** **14 Years**

(21) **Appl. No.:** **29/417,314**

(22) **Filed:** **Apr. 2, 2012**

(51) **LOC (9) Cl.** **13-01**

(52) **U.S. Cl.** **D13/113**

(58) **Field of Classification Search** D13/113,
D13/101, 110, 122, 123, 125, 184, 199; D15/5,
D15/199; 123/185.1, 185.14; 290/47, 48;
310/89, 109; 361/600, 601, 622, 702, 703,
361/730, 809; 363/141, 142
See application file for complete search history.

(56) **References Cited**

U.S. PATENT DOCUMENTS

D337,567 S * 7/1993 Iijima et al. D13/123
D560,608 S * 1/2008 Dornauer et al. D13/113

D567,179 S * 4/2008 Gordin et al. D13/125
D573,534 S * 7/2008 Andersson et al. D13/122
D582,847 S * 12/2008 Wang D13/113

* cited by examiner

Primary Examiner — Derrick Holland

(74) *Attorney, Agent, or Firm* — Smith Gambrell & Russell
LLP

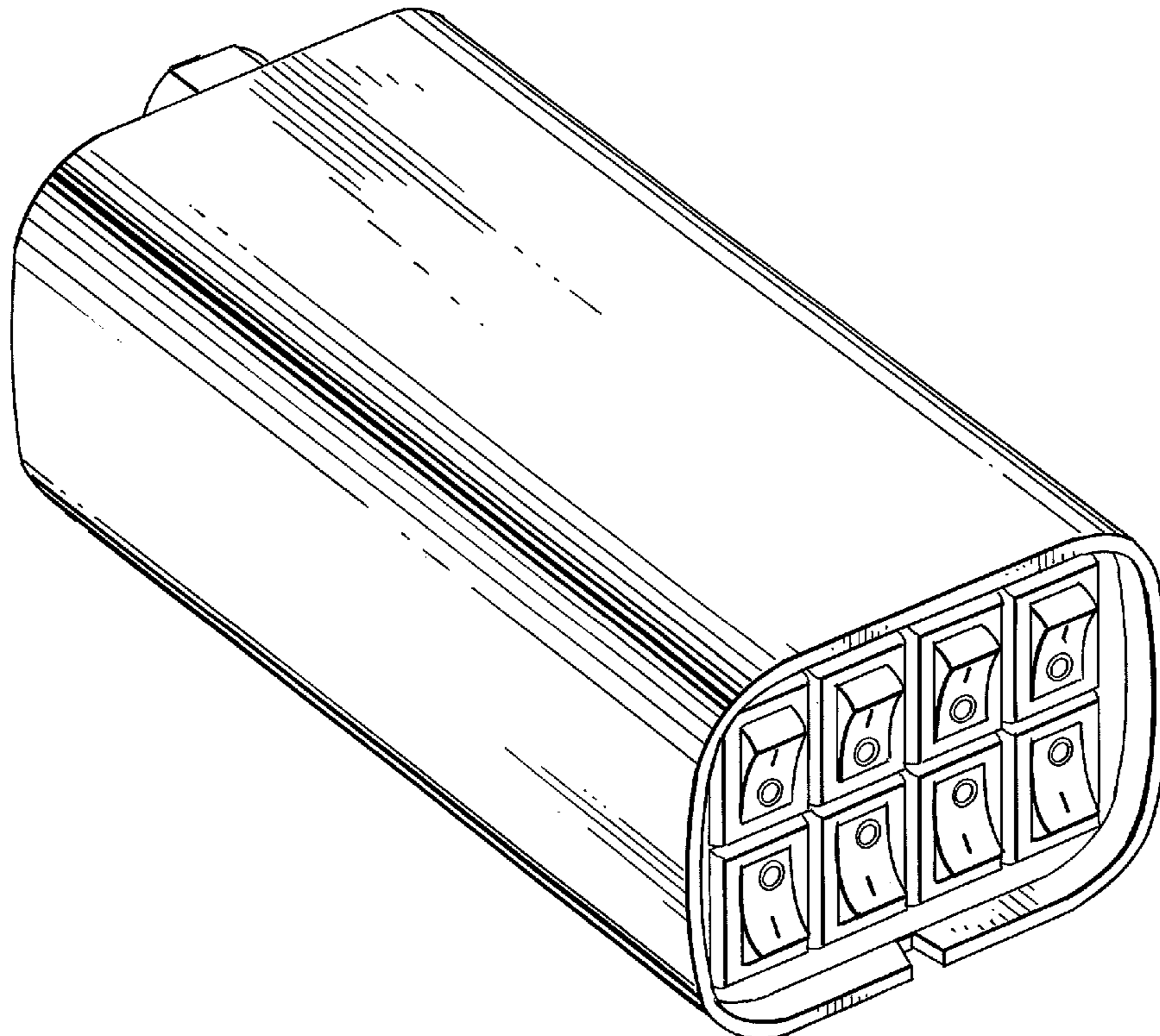
(57) **CLAIM**

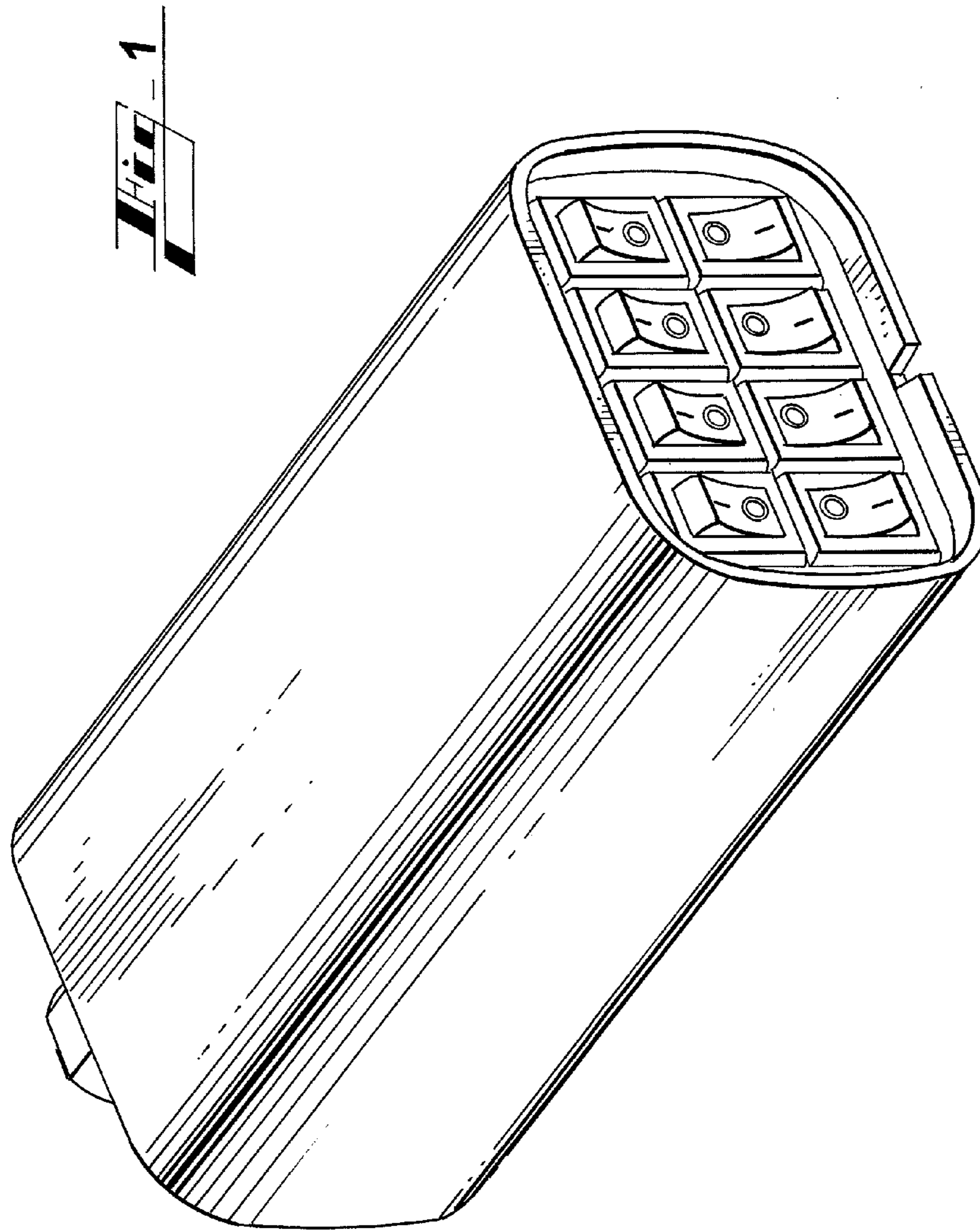
The ornamental design for a capacitor housing, as shown and
described.

DESCRIPTION

FIG. 1 is a front perspective view of a capacitor housing of the
present invention;
FIG. 2 is a front elevation view of the capacitor housing;
FIG. 3 is a back elevation view of the capacitor housing;
FIG. 4 is a top plan view of the capacitor housing;
FIG. 5 is a bottom plan view of the capacitor housing;
FIG. 6 is a left side elevation view of the capacitor housing;
FIG. 7 is a right side elevation view of the capacitor housing;
and,
FIG. 8 is a back perspective view of the capacitor housing.

1 Claim, 5 Drawing Sheets





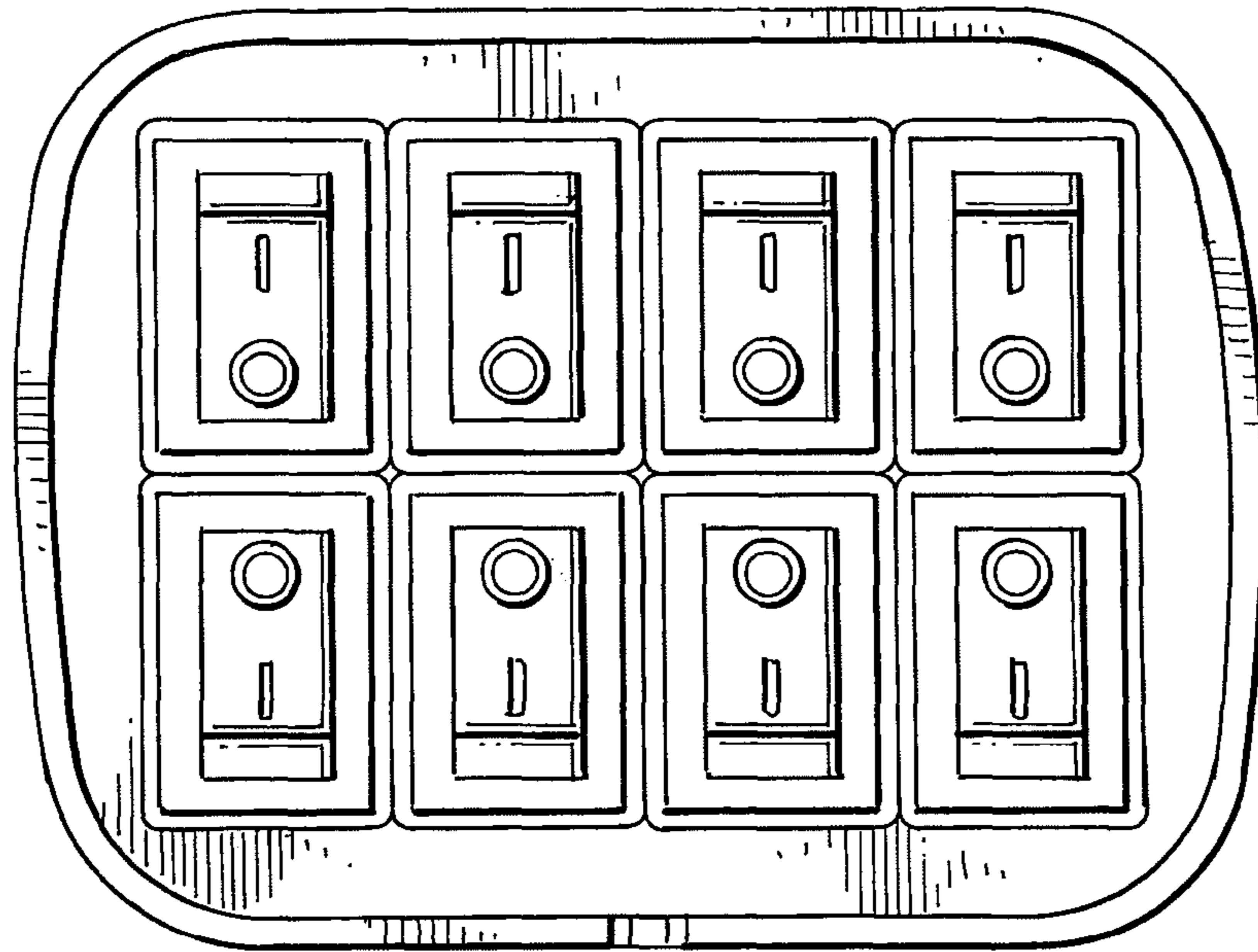


Fig. 2

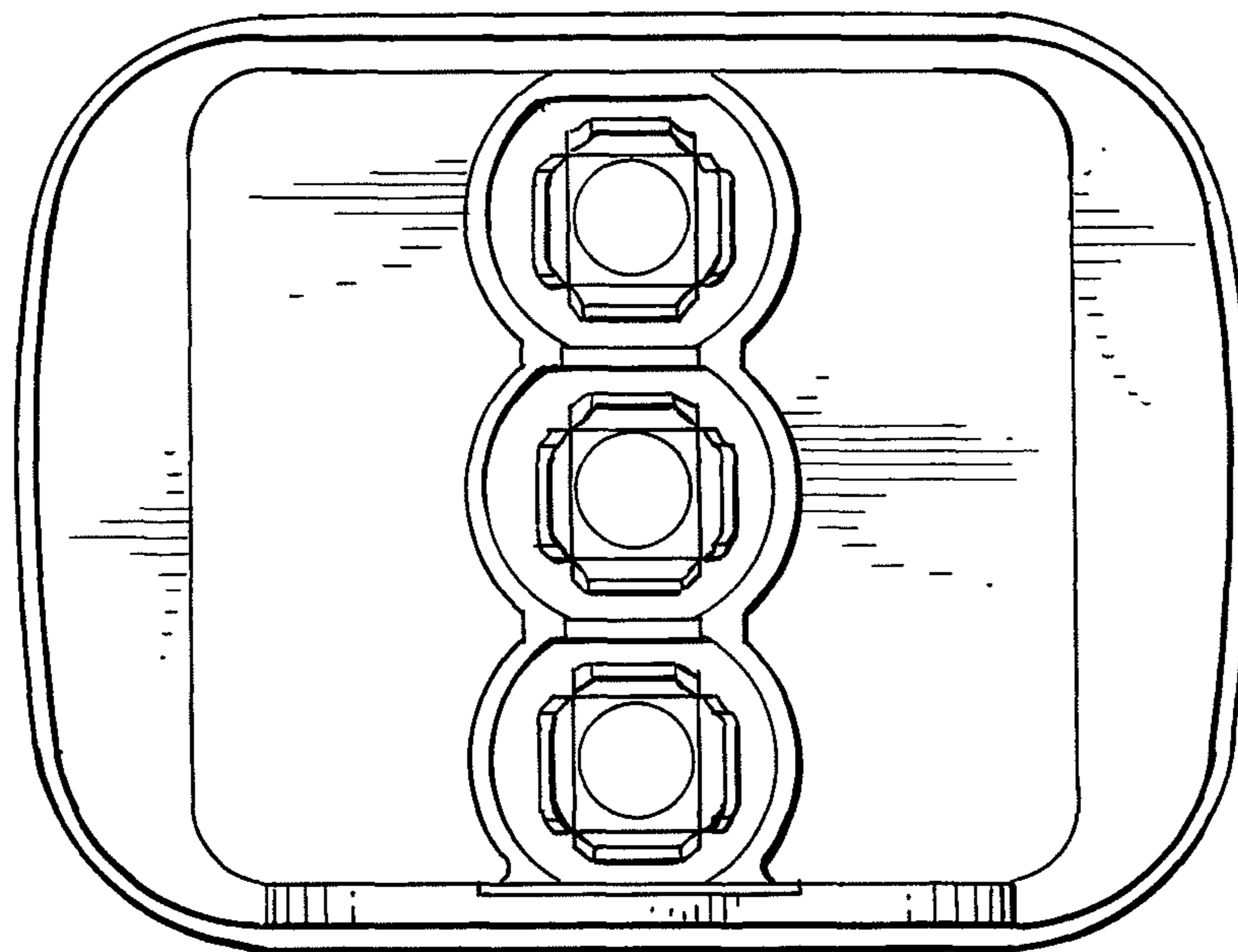


Fig. 3

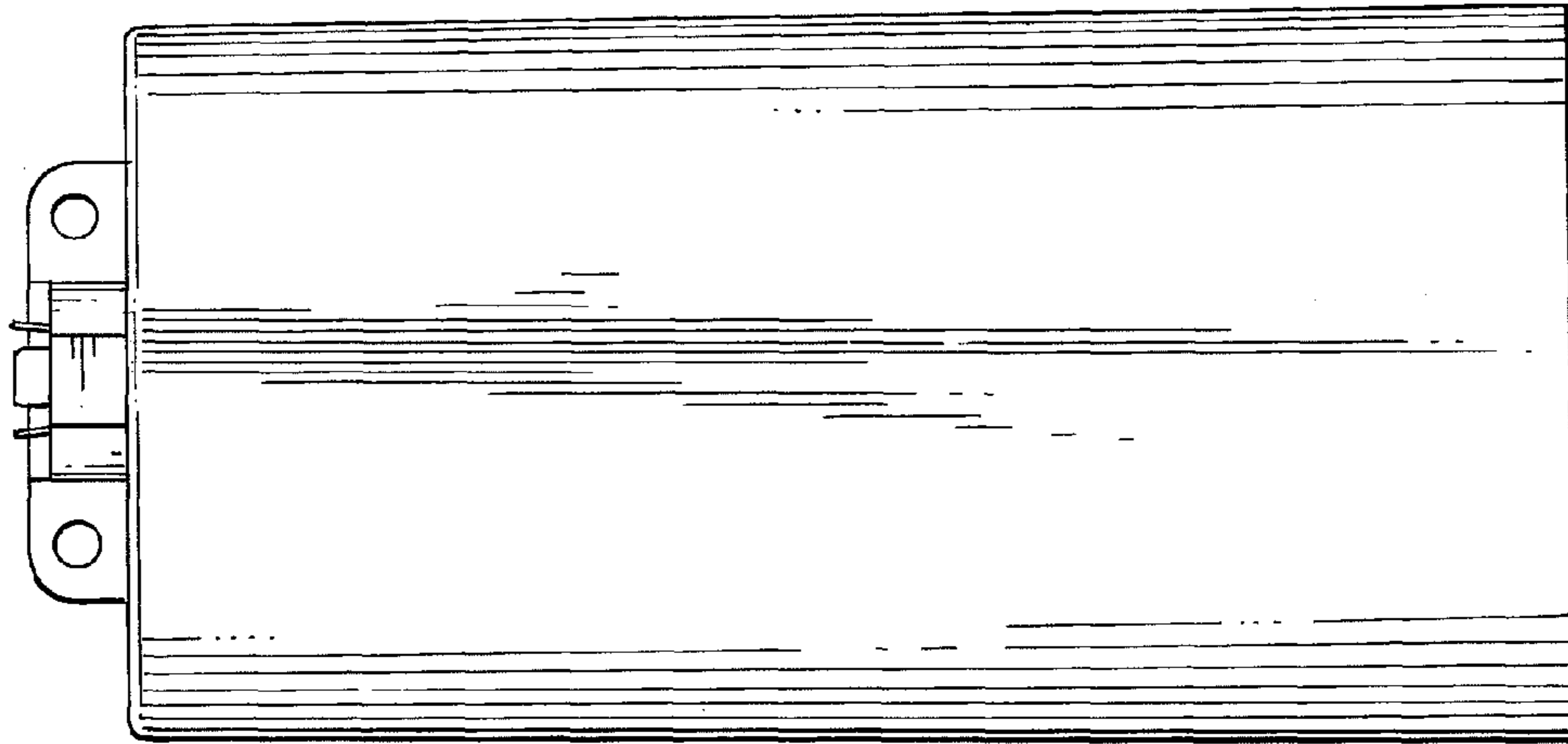


Fig. 4

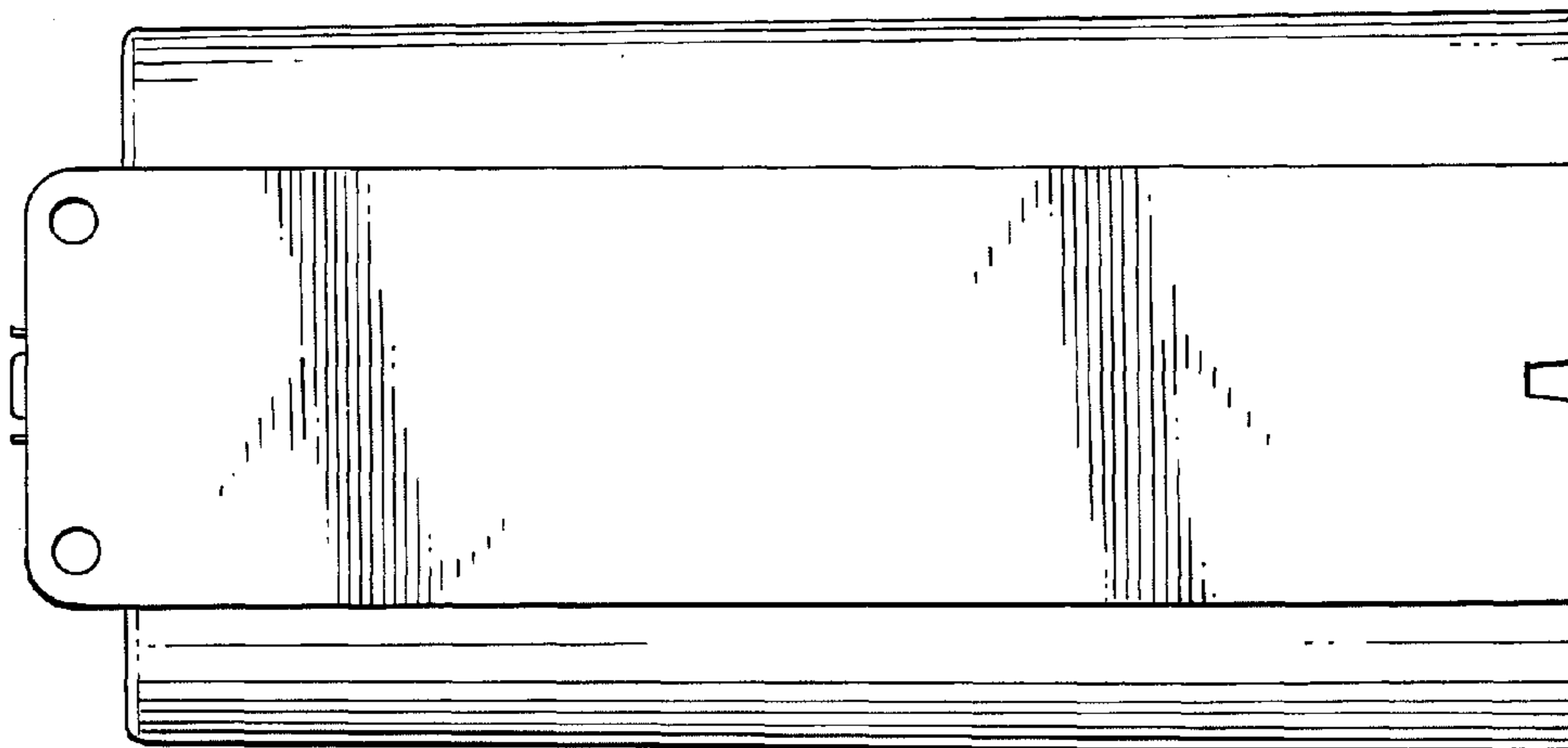


Fig. 5

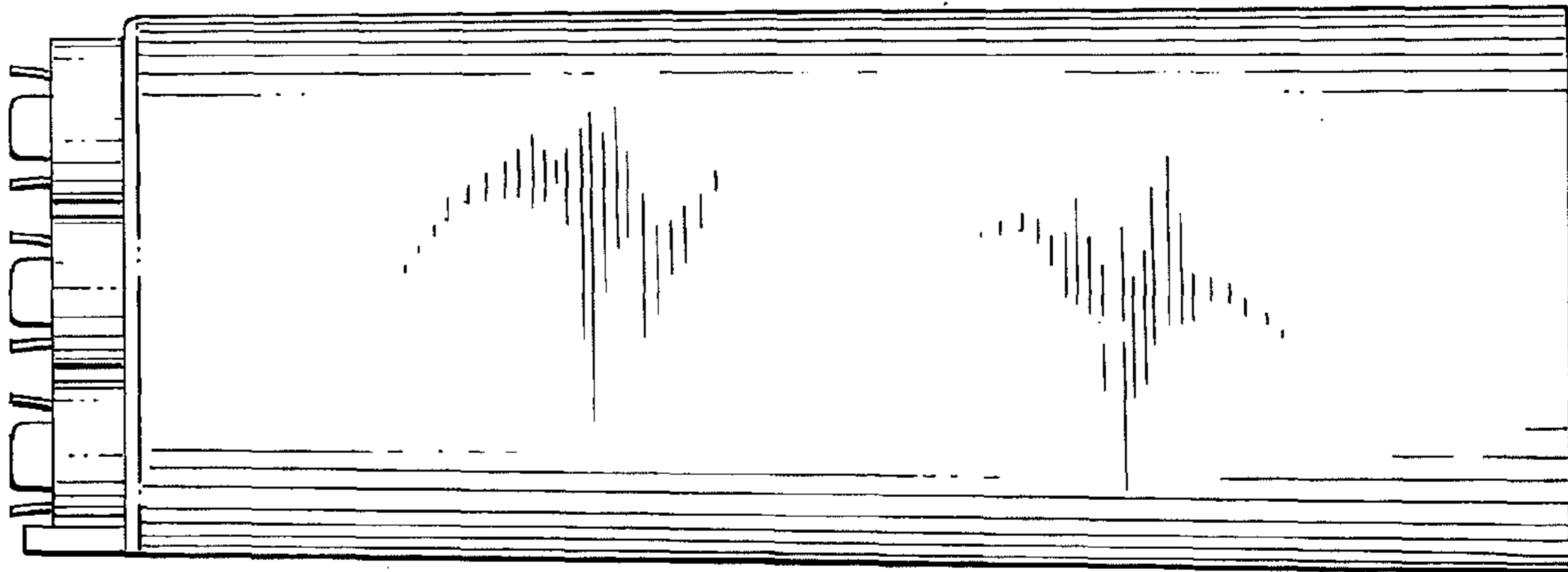


Fig. 6

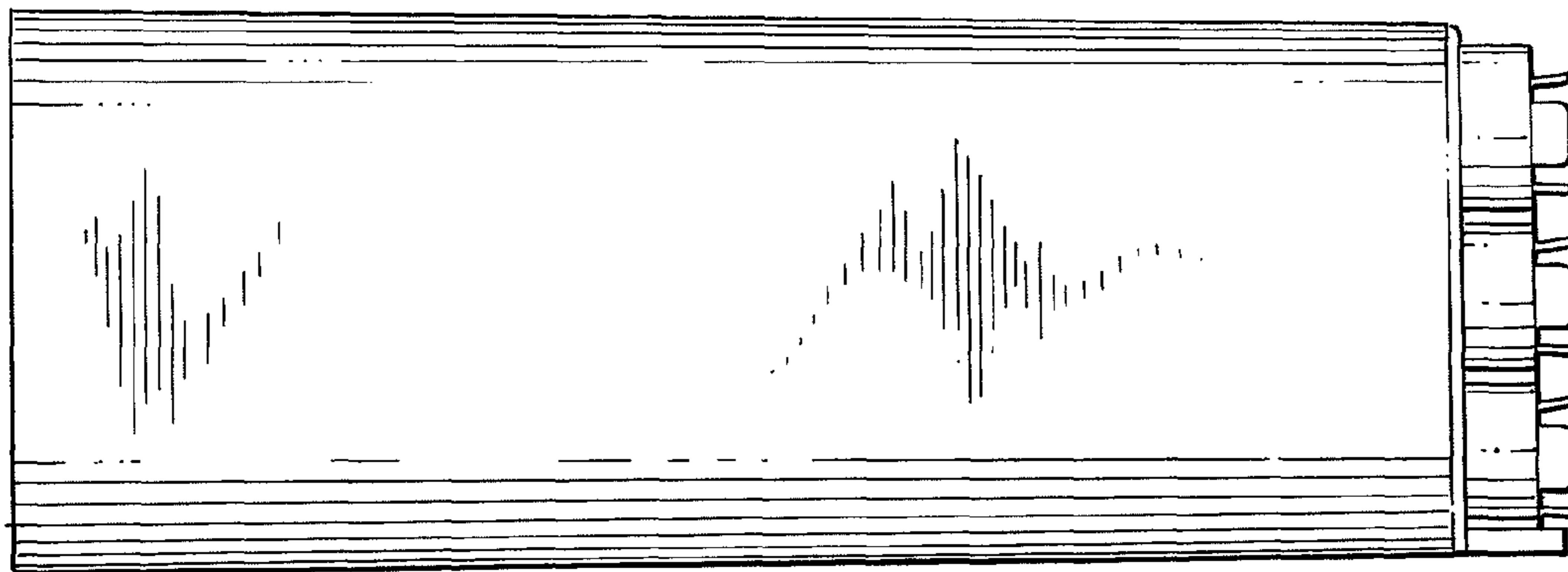


Fig. 7

