



US00D671067S

(12) **United States Design Patent**
Yasunaga

(10) **Patent No.:** **US D671,067 S**

(45) **Date of Patent:** **** Nov. 20, 2012**

(54) **TIRE**

(75) **Inventor:** **Toshikazu Yasunaga, Osaka (JP)**

(73) **Assignee:** **Toyo Tire & Rubber Co., Ltd., Osaka (JP)**

(**) **Term:** **14 Years**

(21) **Appl. No.:** **29/422,620**

(22) **Filed:** **May 22, 2012**

(30) **Foreign Application Priority Data**

Feb. 10, 2012 (JP) 2012-002800

(51) **LOC (9) Cl.** **12-15**

(52) **U.S. Cl.** **D12/605**

(58) **Field of Classification Search** D12/500-501,
D12/544, 579, 600-605; 152/523-524, DIG. 12,
152/555; D7/588, 396.4-396.5

See application file for complete search history.

(56) **References Cited**

U.S. PATENT DOCUMENTS

- D477,810 S 7/2003 Budich et al.
- D547,261 S * 7/2007 Shondel et al. D12/605
- D557,202 S * 12/2007 Shondel D12/605
- D569,337 S * 5/2008 Iwabuchi D12/605

- D588,529 S * 3/2009 Reese et al. D12/605
- D593,939 S * 6/2009 Maxwell D12/605
- D597,480 S * 8/2009 Umstot et al. D12/605
- D599,284 S 9/2009 Misumi
- D605,583 S * 12/2009 Scheifele D12/605
- D606,488 S * 12/2009 Scheifele D12/605

* cited by examiner

Primary Examiner — Stacia Cadmus

(74) *Attorney, Agent, or Firm* — Sterne, Kessler, Goldstein & Fox PLLC

(57) **CLAIM**

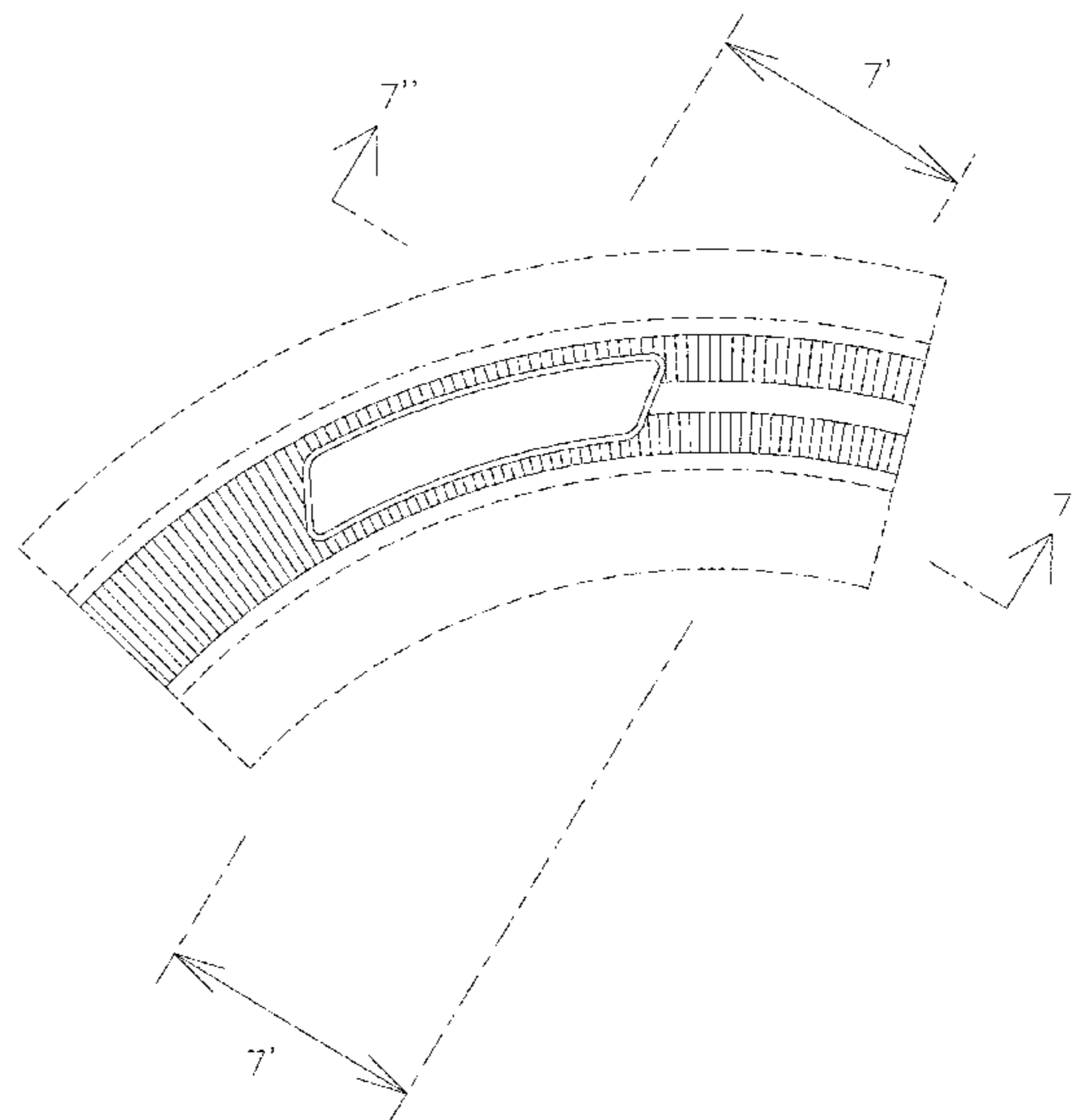
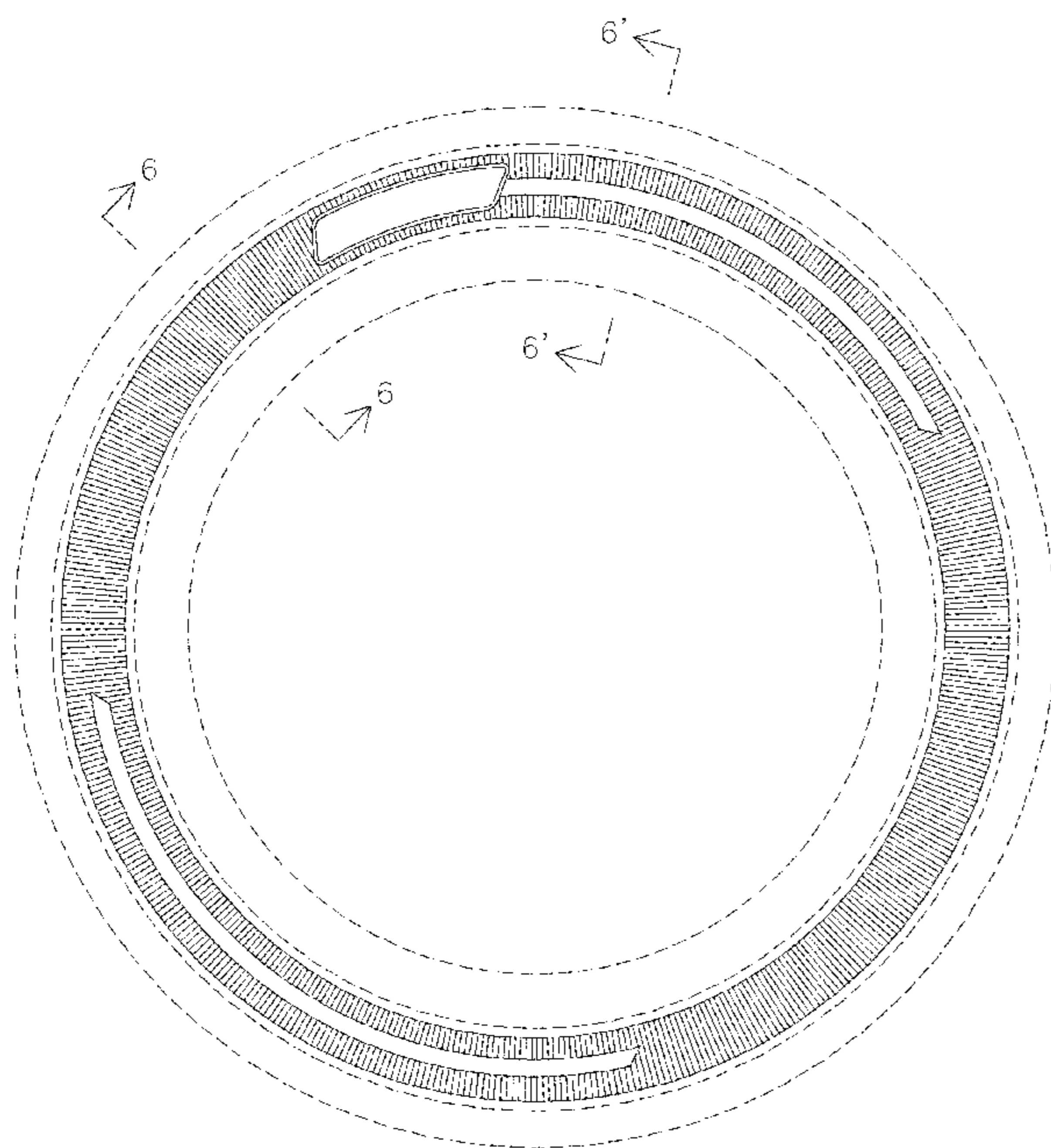
The ornamental design for a tire, as shown and described.

DESCRIPTION

FIG. 1 is a perspective view of a tire showing my new design;
 FIG. 2 is a front view thereof;
 FIG. 3 is a rear view thereof;
 FIG. 4 is a top plan view thereof, for which the bottom plan view is a mirror image;
 FIG. 5 is a left side view thereof, for which the right side view is a mirror image;
 FIG. 6 is an enlarged view taken along lines 6-6 and 6'-6' in FIG. 2; and,
 FIG. 7 is a cross-sectional view taken along line 7-7 in FIG. 4 and lines 7'-7" and 7"-7'" in FIG. 6.

In the drawings, the broken lines showing portions of the tire tread, sidewall, and inner bead depict environmental subject matter that forms no part of the claimed design.

1 Claim, 7 Drawing Sheets



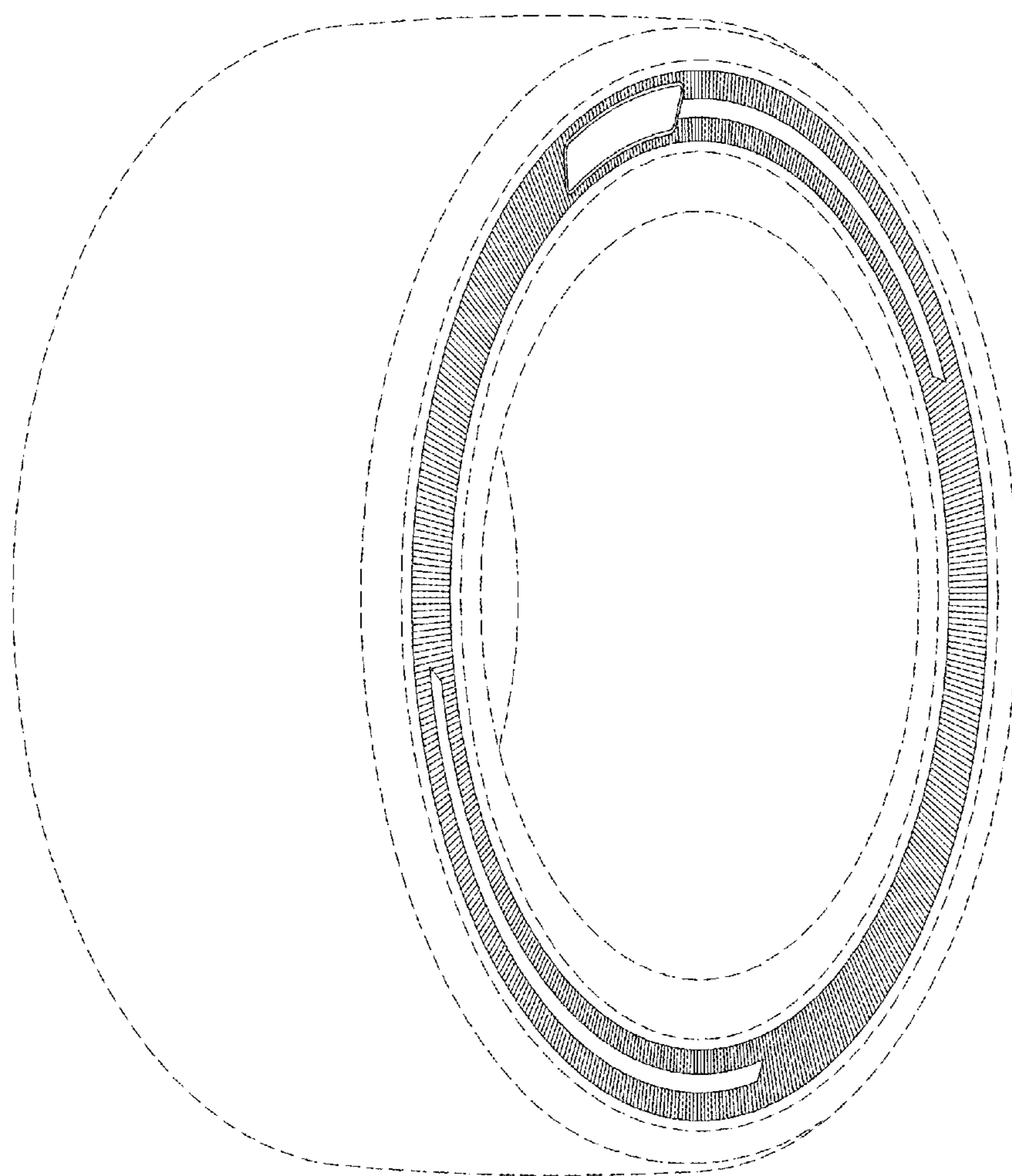


FIG. 1

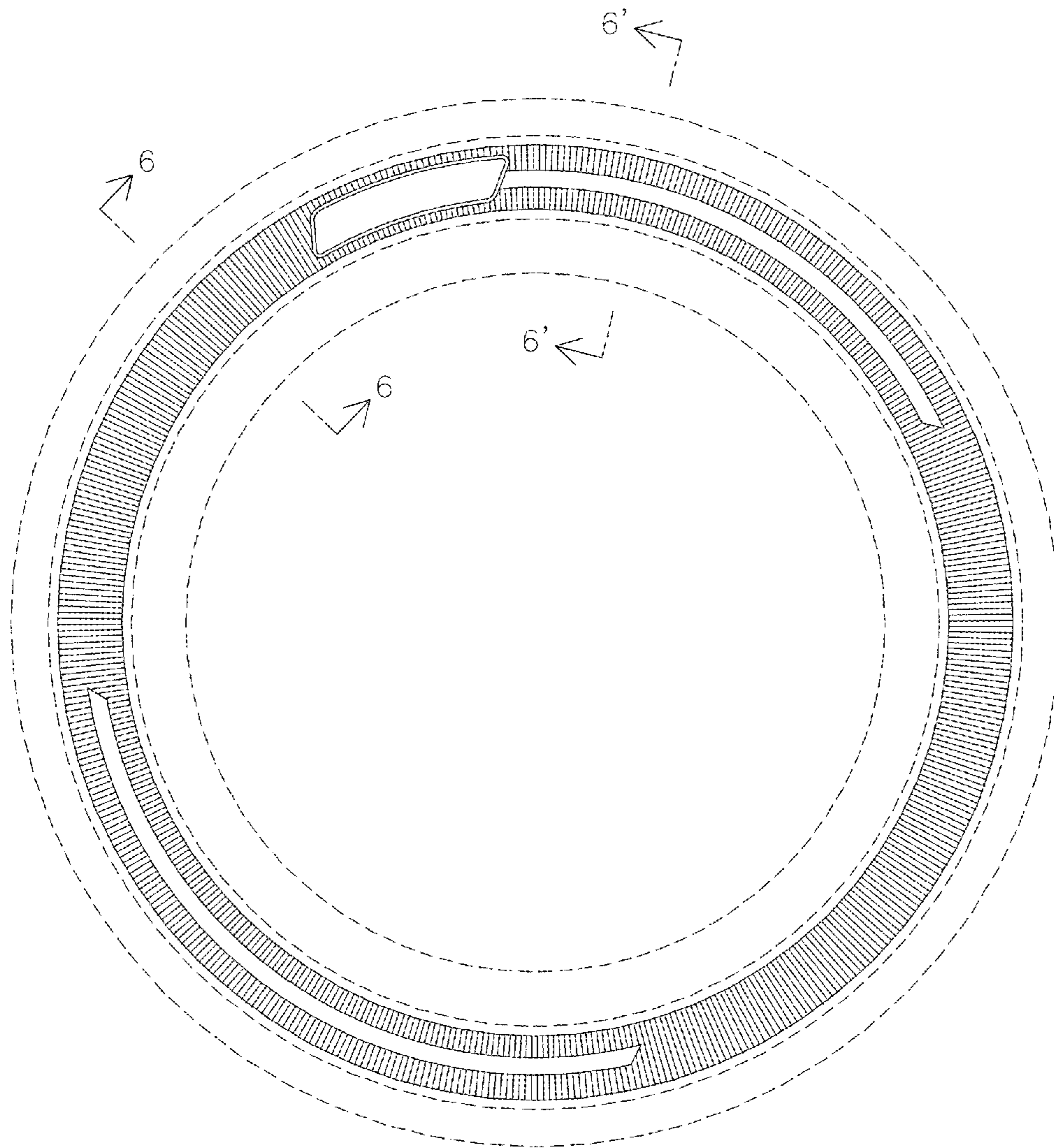


FIG. 2

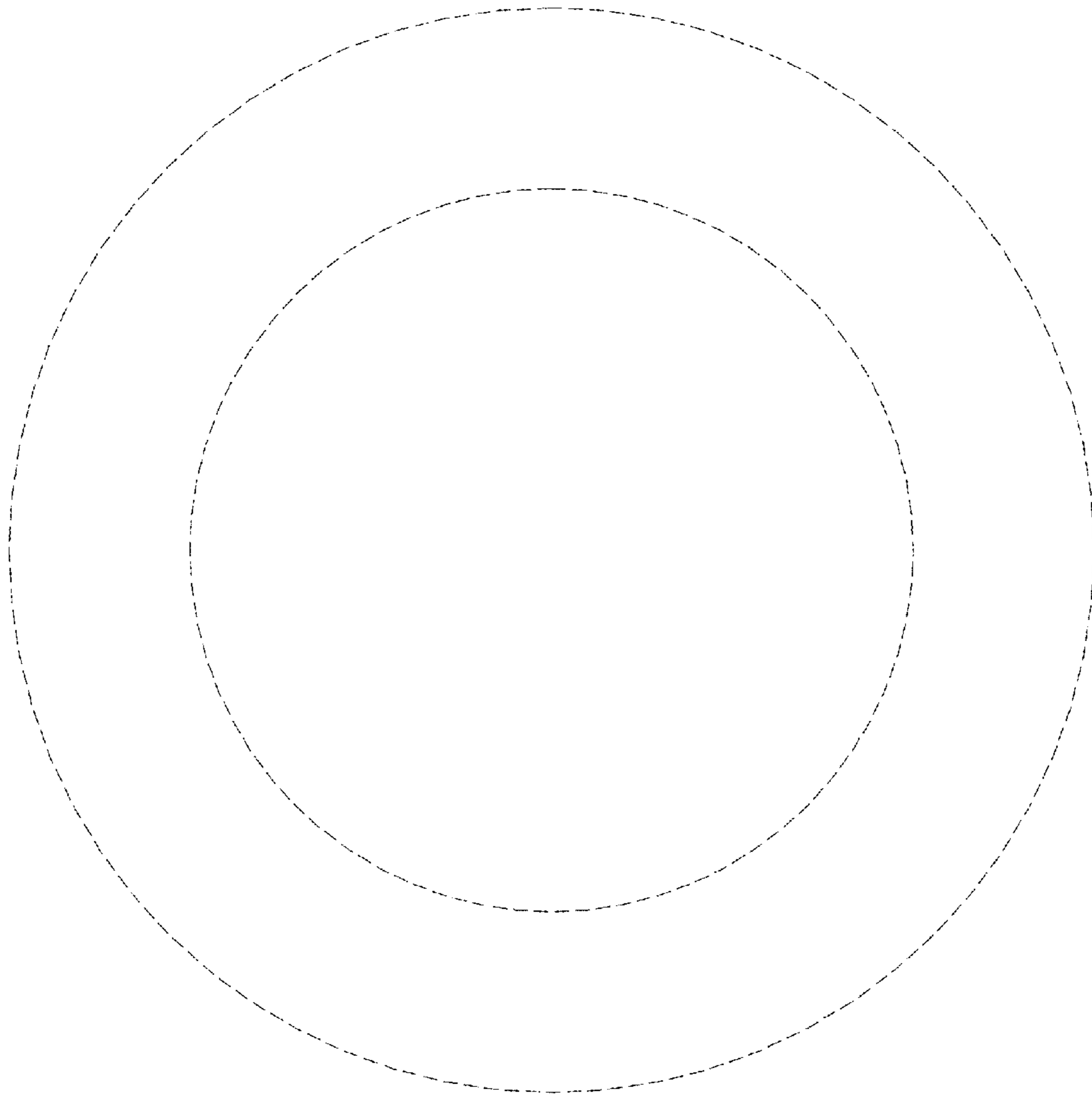


FIG. 3

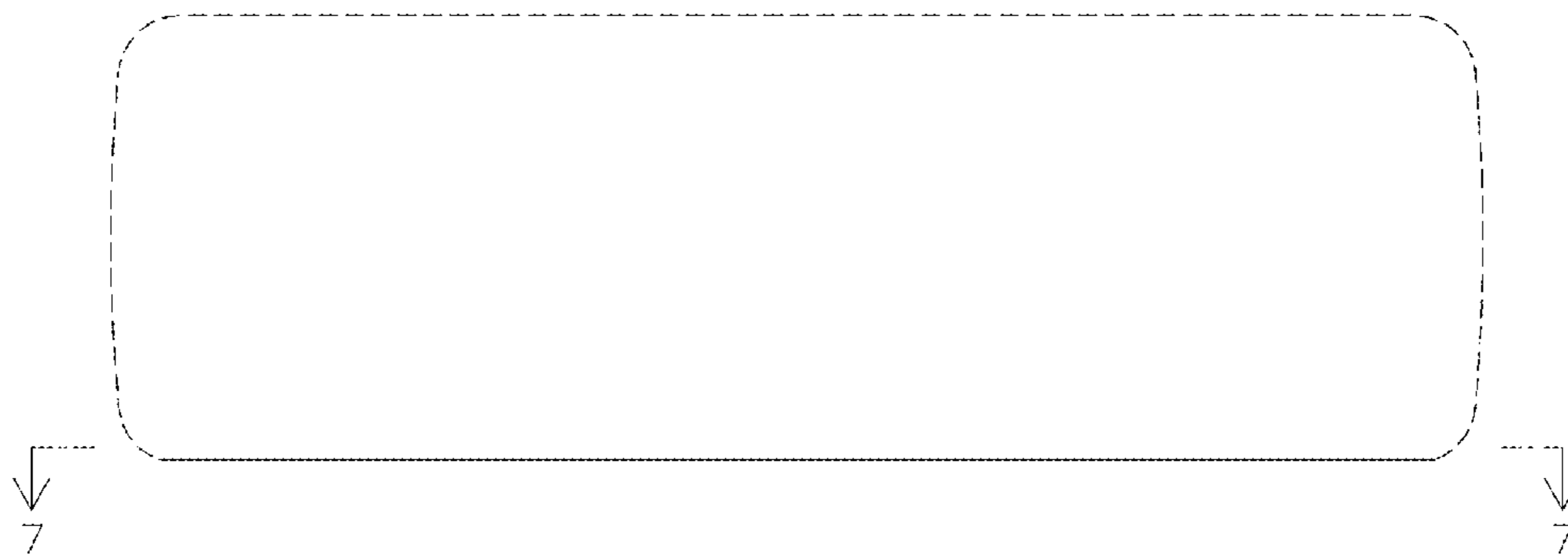


FIG. 4

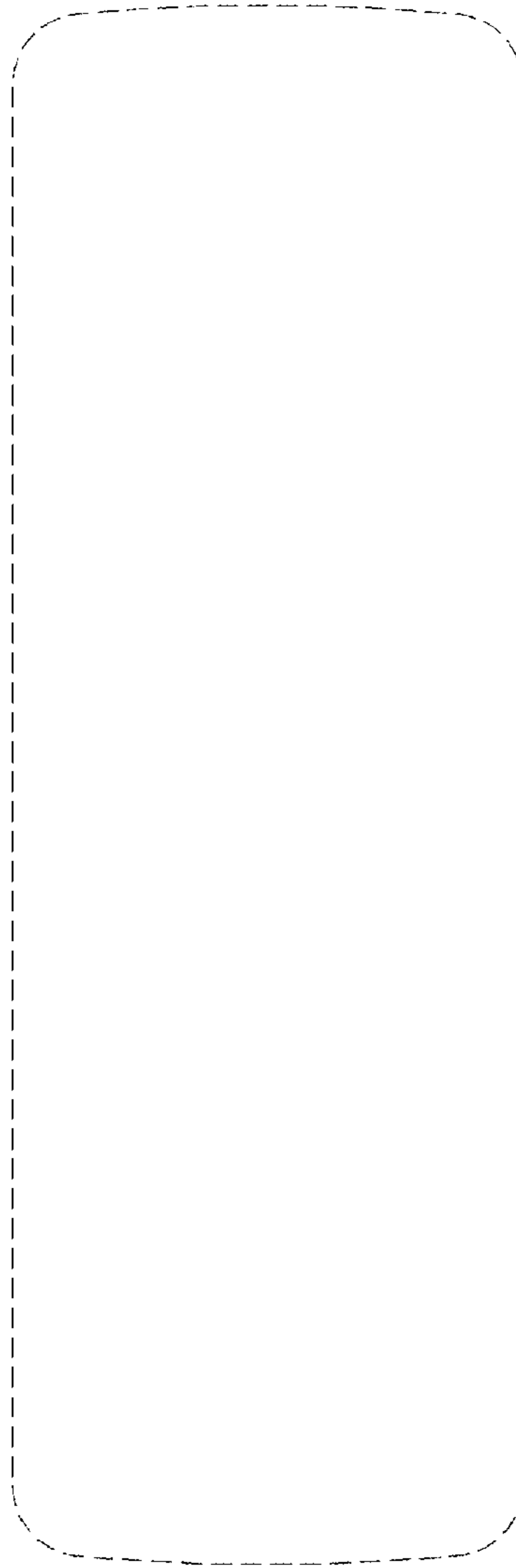


FIG. 5

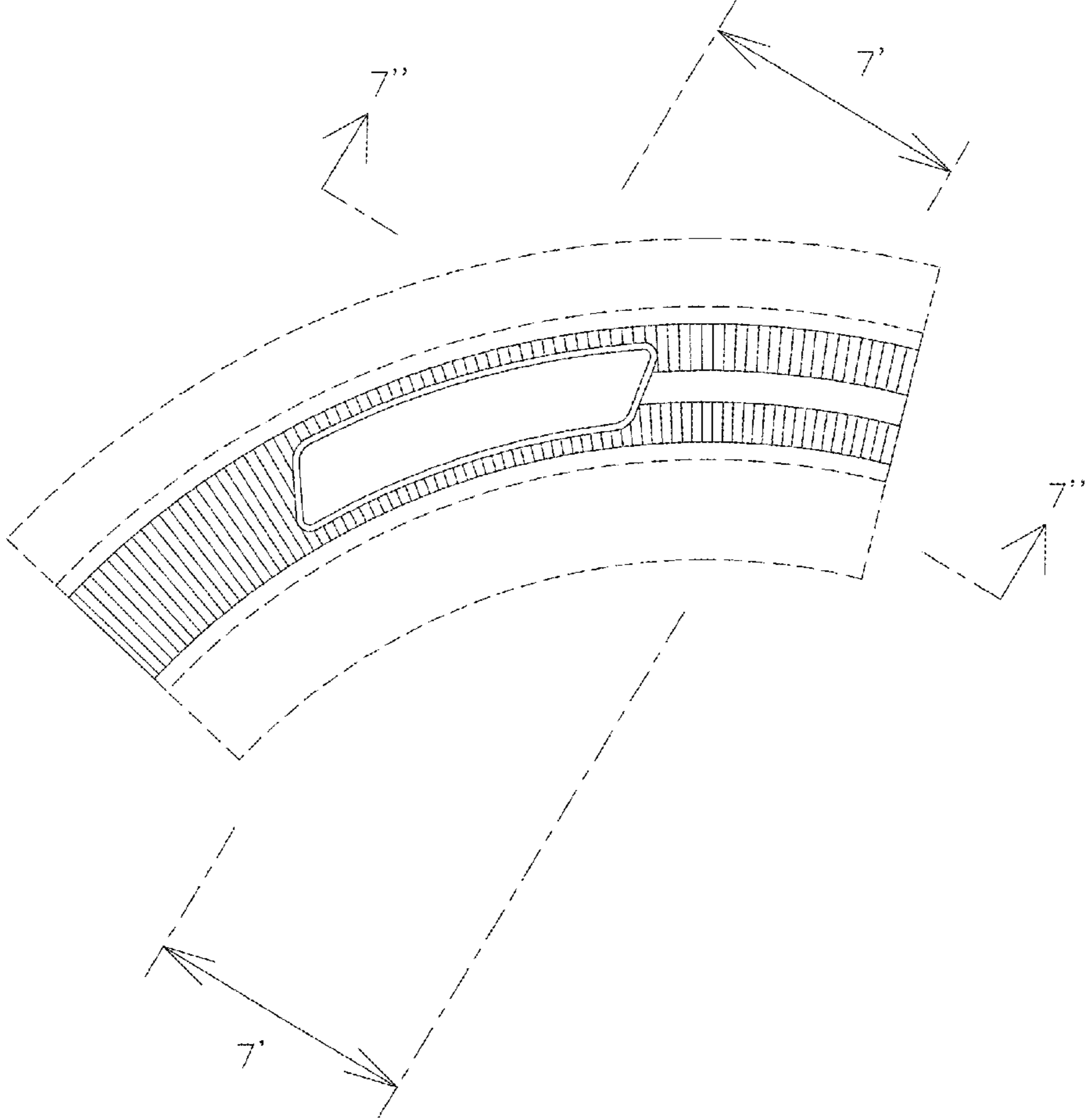


FIG. 6

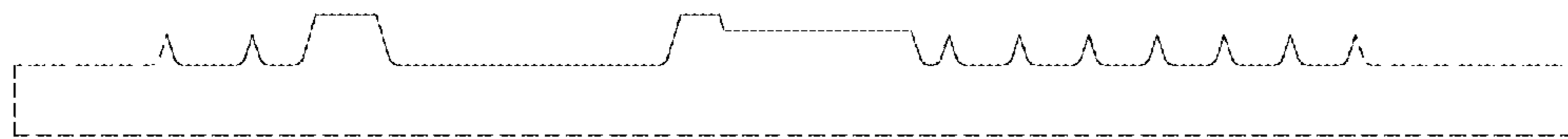


FIG. 7