



US00D671066S

(12) **United States Design Patent**  
**Morito et al.**

(10) **Patent No.:** **US D671,066 S**

(45) **Date of Patent:** **\*\* Nov. 20, 2012**

(54) **AUTOMOBILE TIRE**

(75) Inventors: **Takumi Morito**, Tokyo (JP); **Masahiro Ishida**, Kanagawa (JP); **Yoshifumi Koishikawa**, Kanagawa (JP)

(73) Assignee: **The Yokohama Rubber Co., Ltd.** (JP)

(\*\*) Term: **14 Years**

(21) Appl. No.: **29/421,089**

(22) Filed: **May 18, 2012**

(30) **Foreign Application Priority Data**

Nov. 24, 2011 (JP) ..... 2011-027103

(51) **LOC (9) Cl.** ..... **12-15**

(52) **U.S. Cl.** ..... **D12/605**

(58) **Field of Classification Search** ..... D12/500–501,  
D12/544, 579, 600–605; 152/523–524, DIG. 12,  
152/555; D7/588, 396.4–396.5

See application file for complete search history.

(56) **References Cited**

**U.S. PATENT DOCUMENTS**

D450,034 S \* 11/2001 Kajikawa ..... D12/605  
D588,532 S \* 3/2009 Shondel ..... D12/605  
D610,978 S \* 3/2010 Harvey et al. .... D12/605  
D639,728 S \* 6/2011 Ohashi ..... D12/605

D650,323 S \* 12/2011 Morito et al. .... D12/605  
D662,465 S \* 6/2012 Takano ..... D12/605

\* cited by examiner

*Primary Examiner* — Stacia Cadmus

(74) *Attorney, Agent, or Firm* — SAIDMAN DesignLaw Group

(57) **CLAIM**

The ornamental design for an automobile tire, as shown and described.

**DESCRIPTION**

FIG. 1 is a perspective view of the front and left side of an automobile tire showing our new design;

FIG. 2 is a front view thereof;

FIG. 3 is a rear view thereof;

FIG. 4 is a left side view thereof;

FIG. 5 is a right side view thereof;

FIG. 6 is a top view thereof;

FIG. 7 is a bottom view thereof;

FIG. 8 is an enlarged, fragmentary front view of the area circumscribed by box 8 of FIG. 2;

FIG. 9 is an enlarged, cross-sectional view thereof, taken along line 9-9 of FIG. 8; and,

FIG. 10 is an enlarged, fragmentary view of the area circumscribed by box 10 of FIG. 1.

The broken lines represent environmental structure and form no part of the claimed design.

**1 Claim, 7 Drawing Sheets**

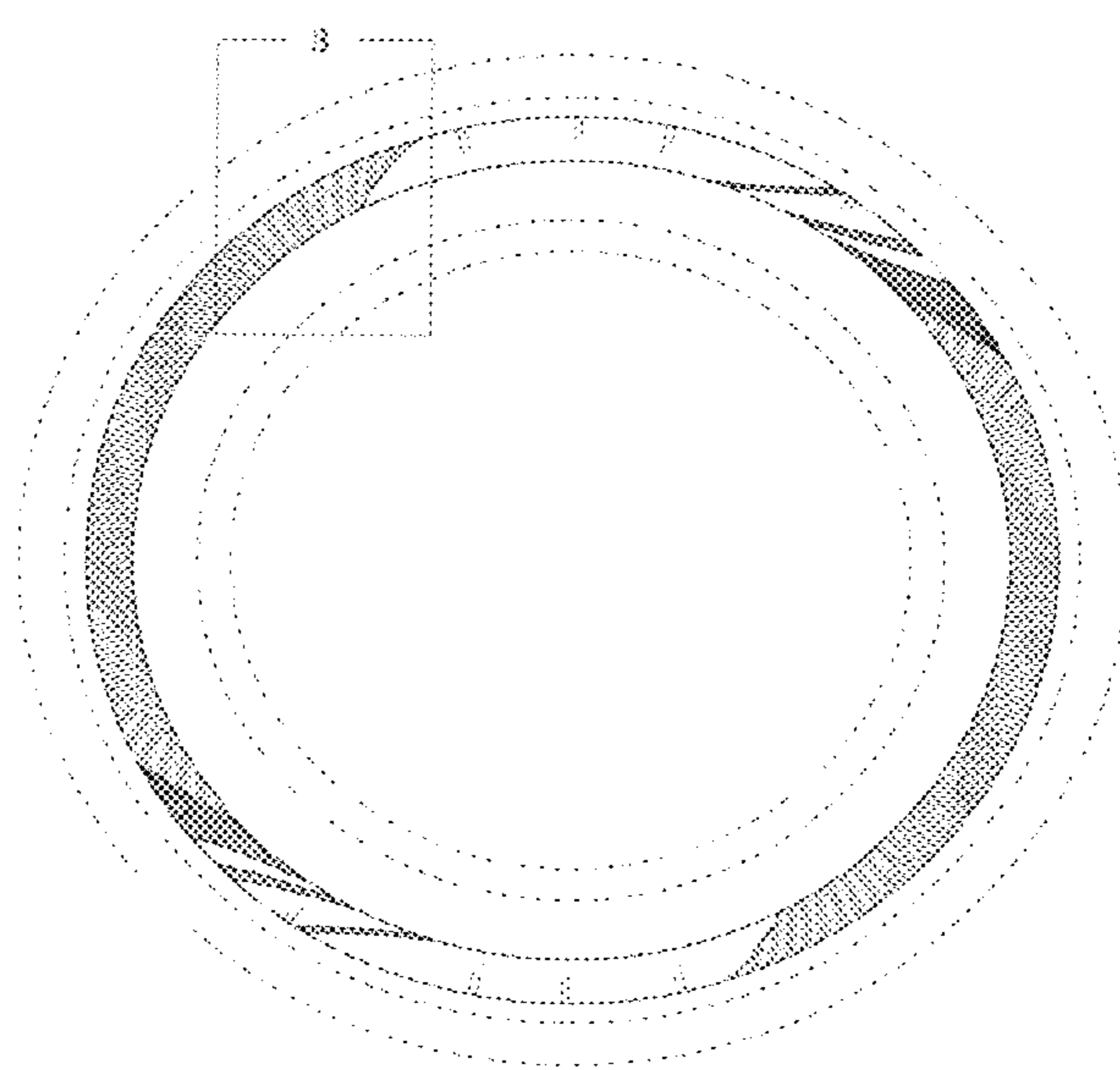
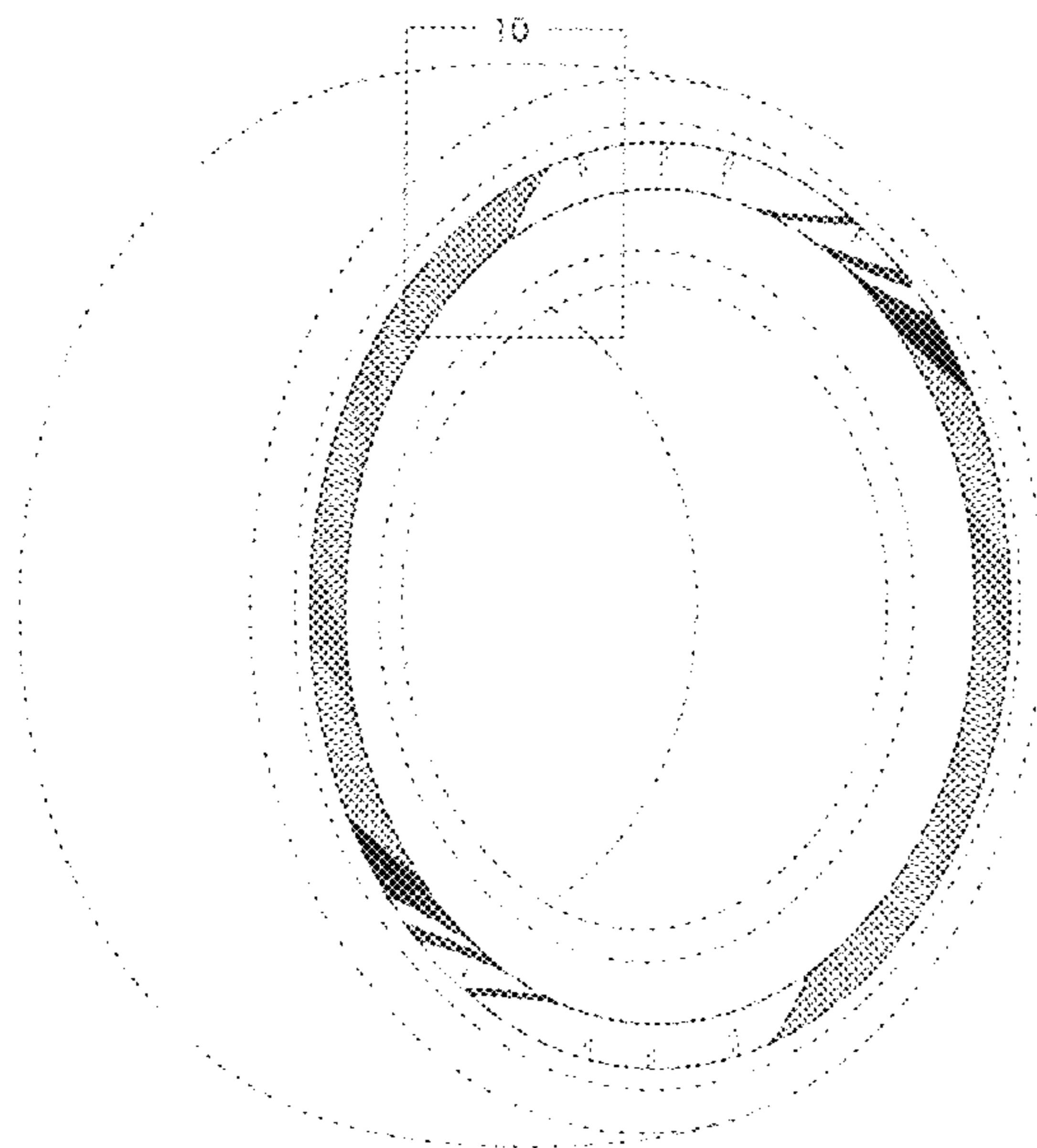


Fig. 1

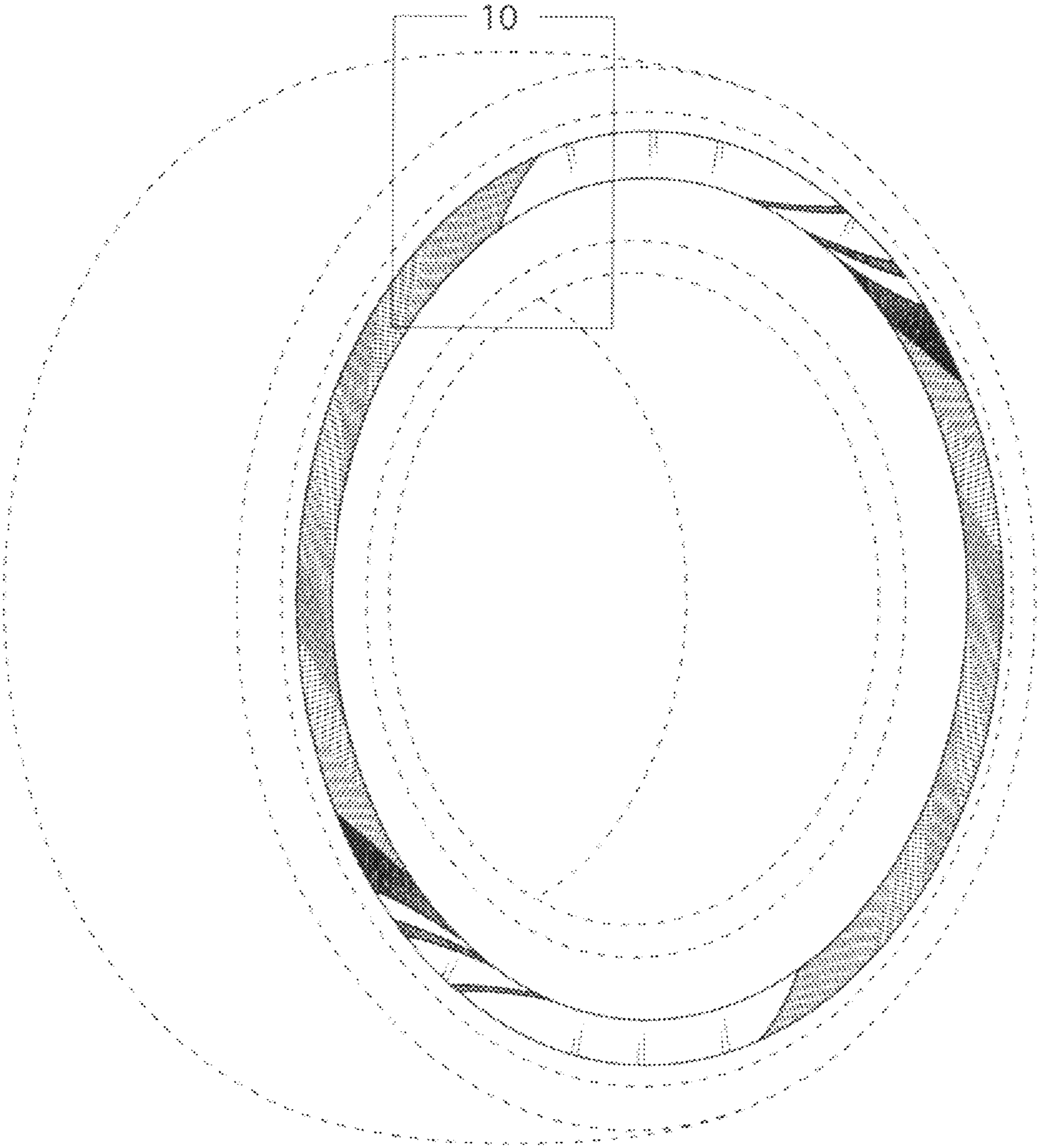


Fig. 2

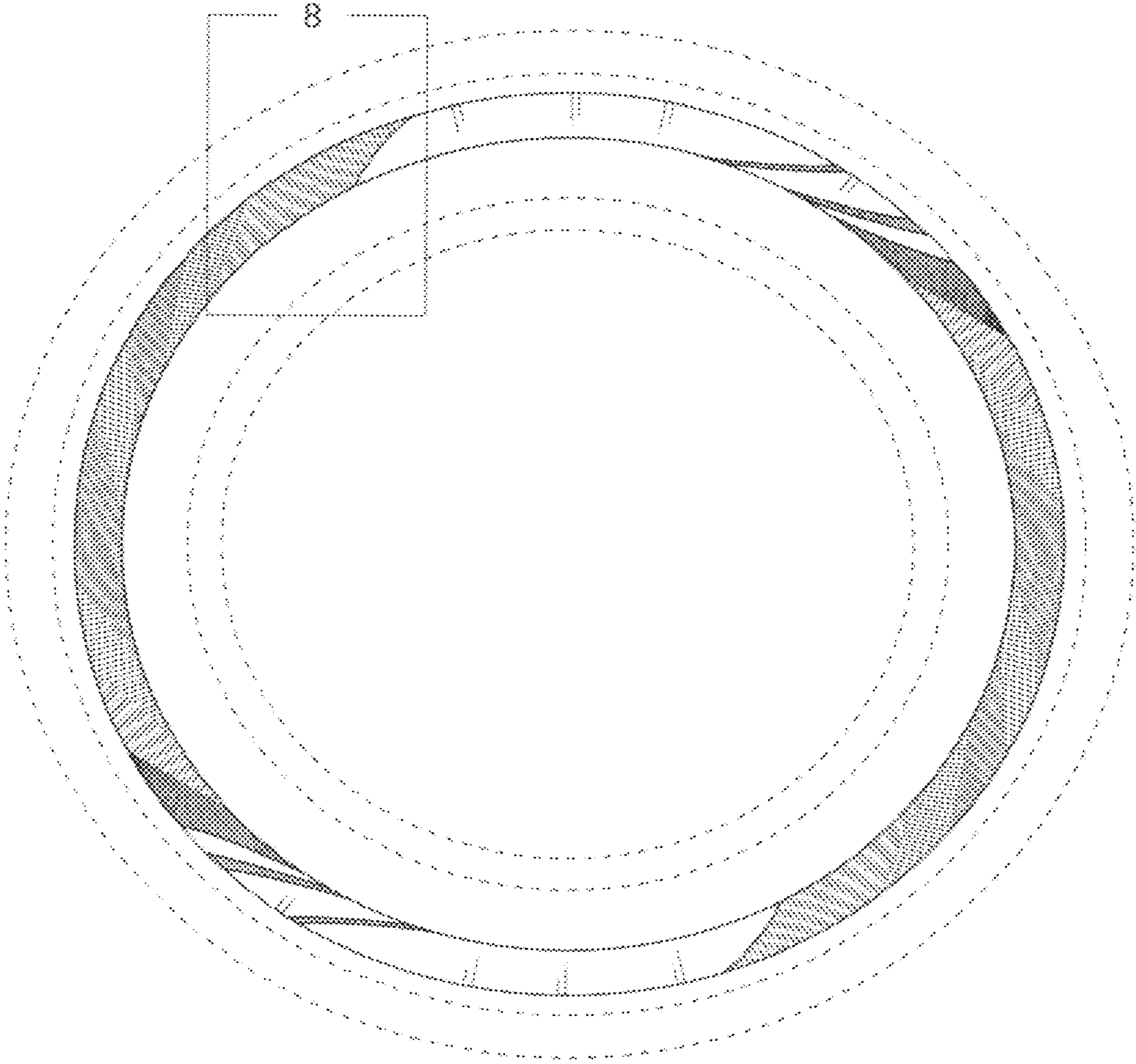


Fig. 3

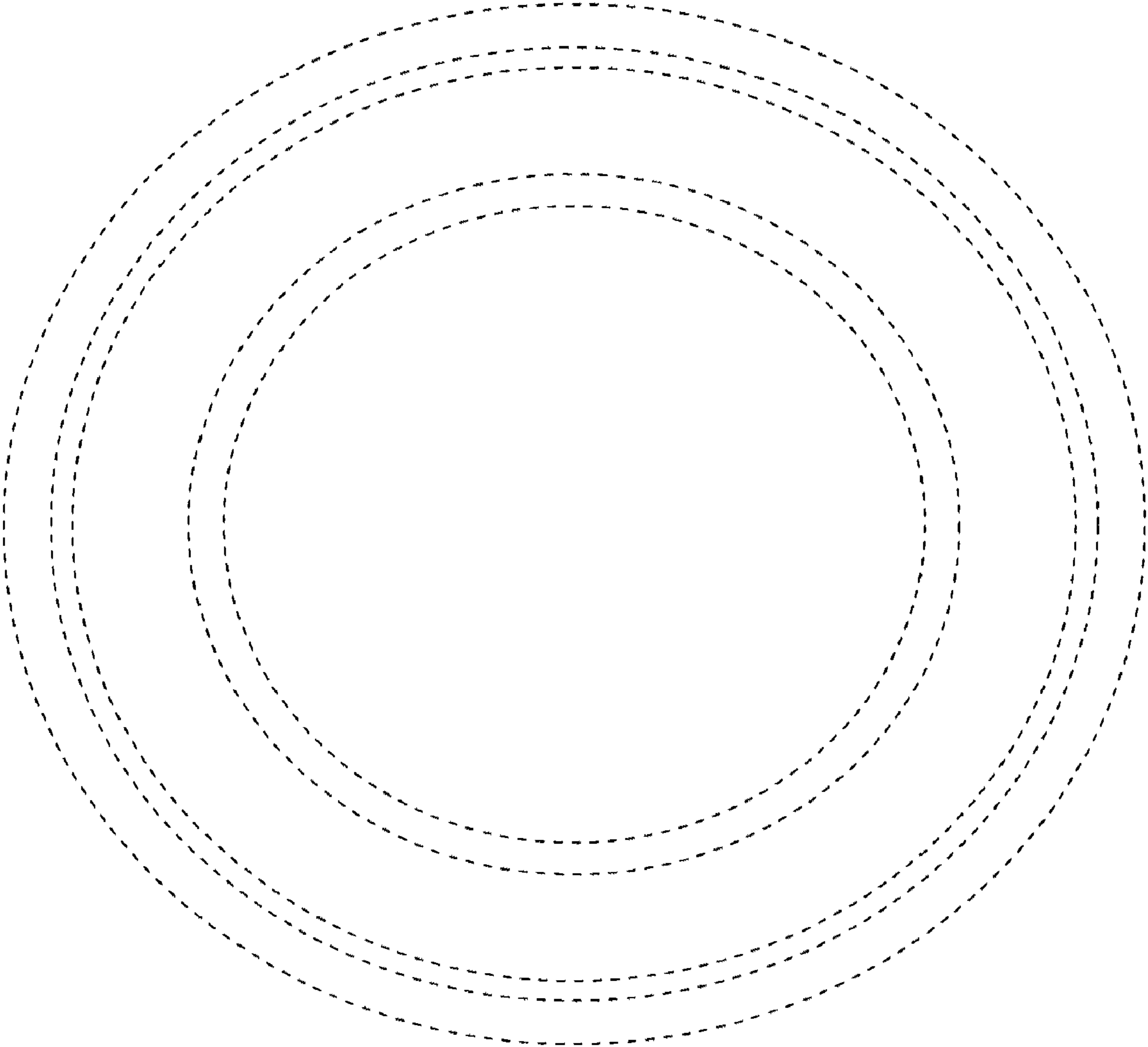


Fig. 4

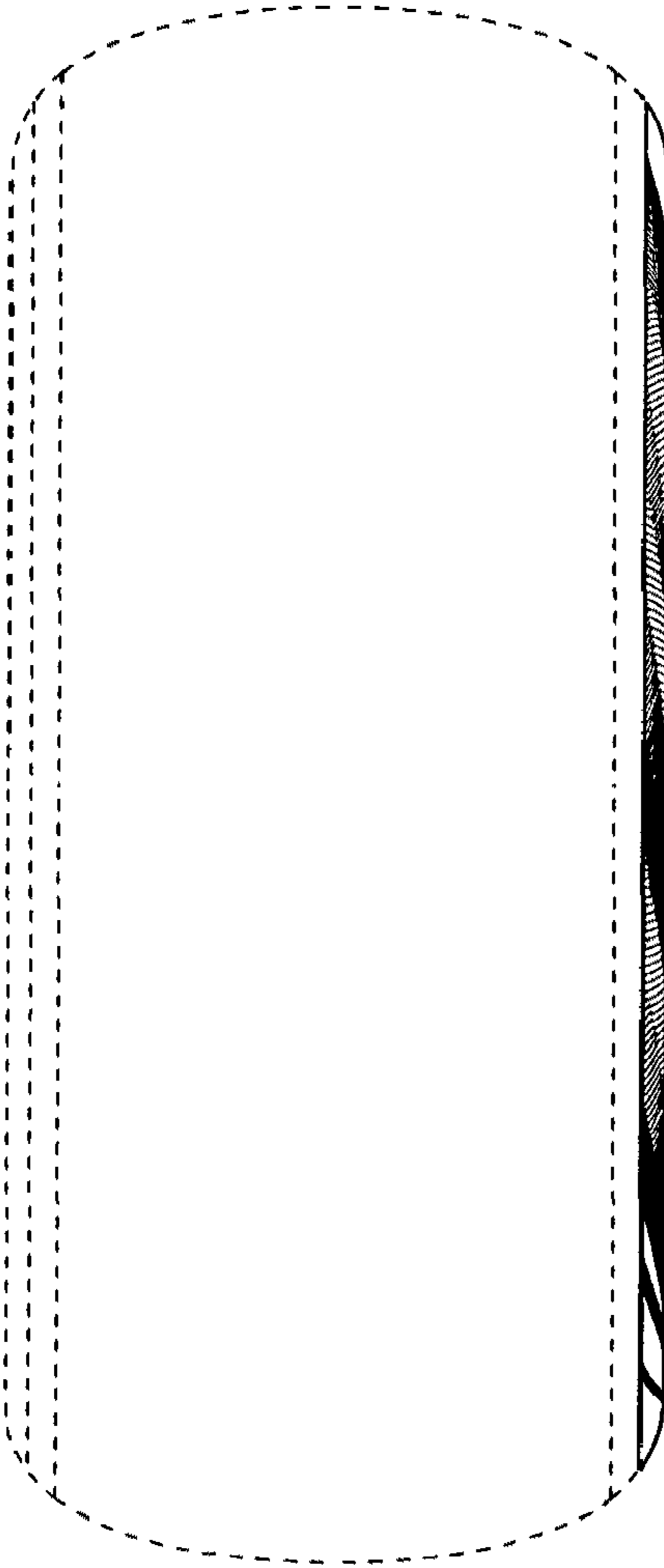


Fig. 5

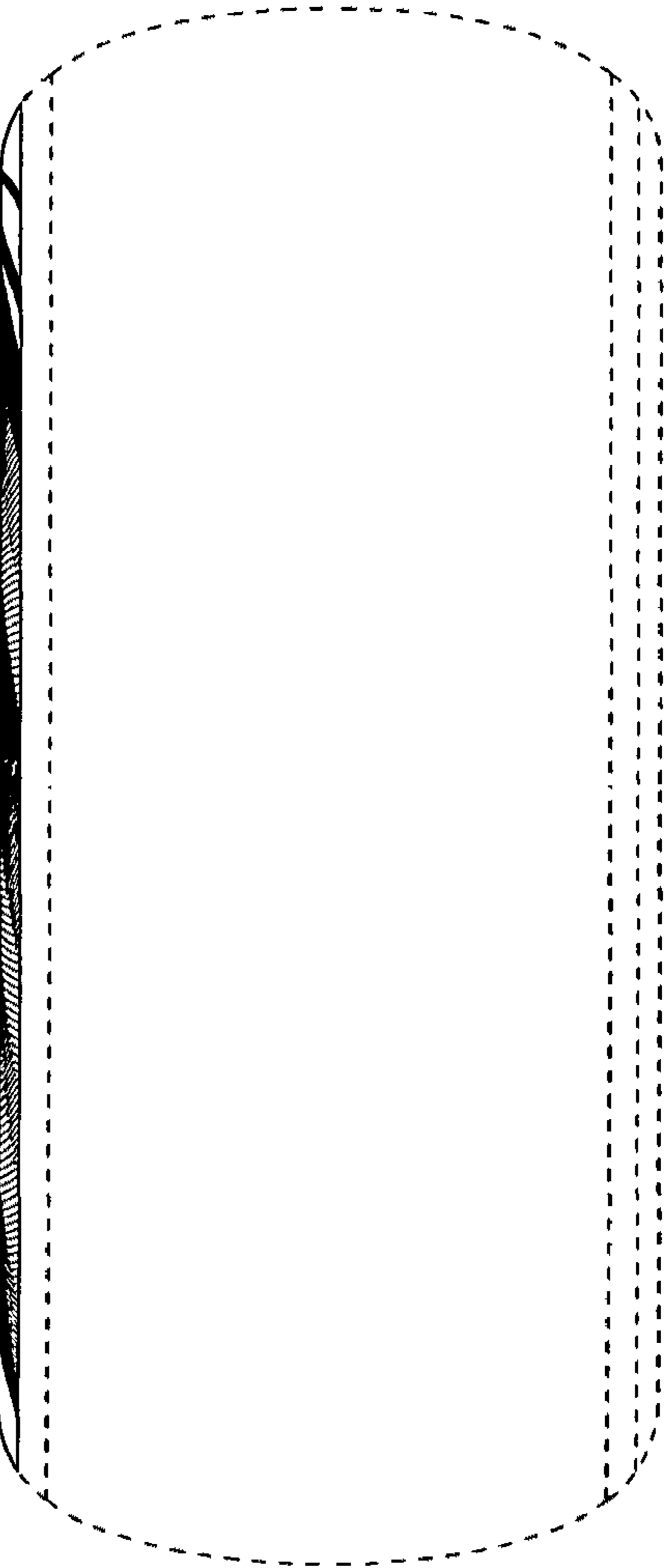


Fig. 6

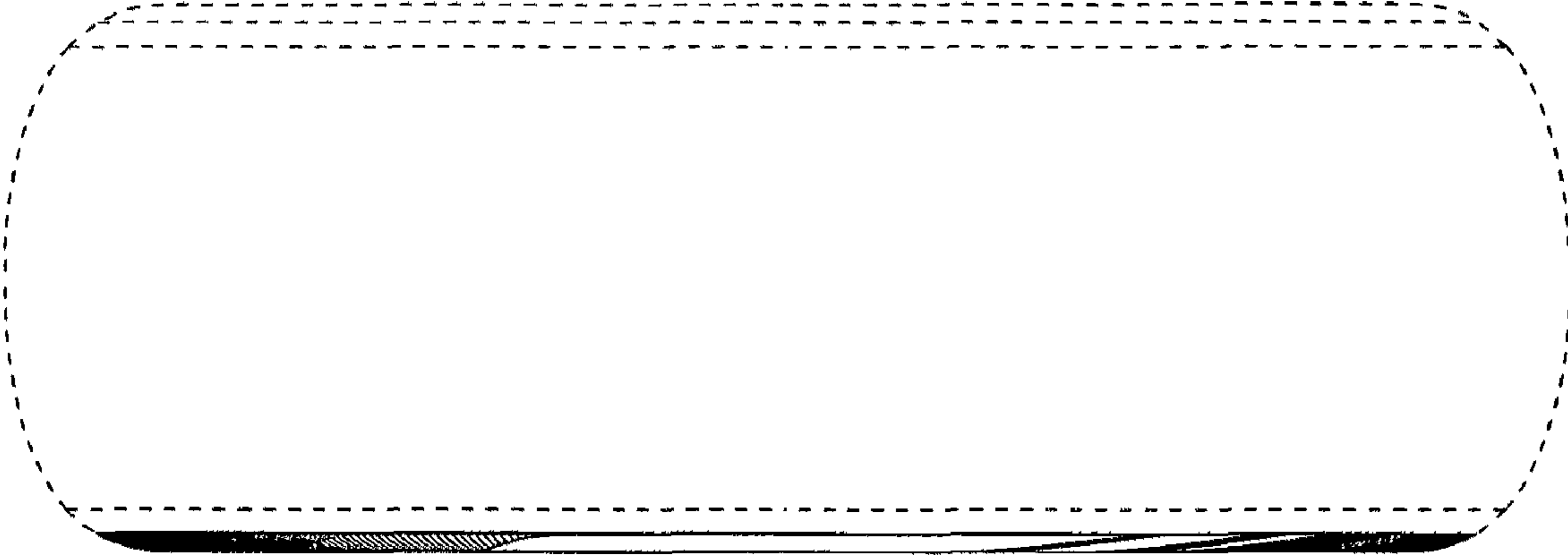


Fig. 7

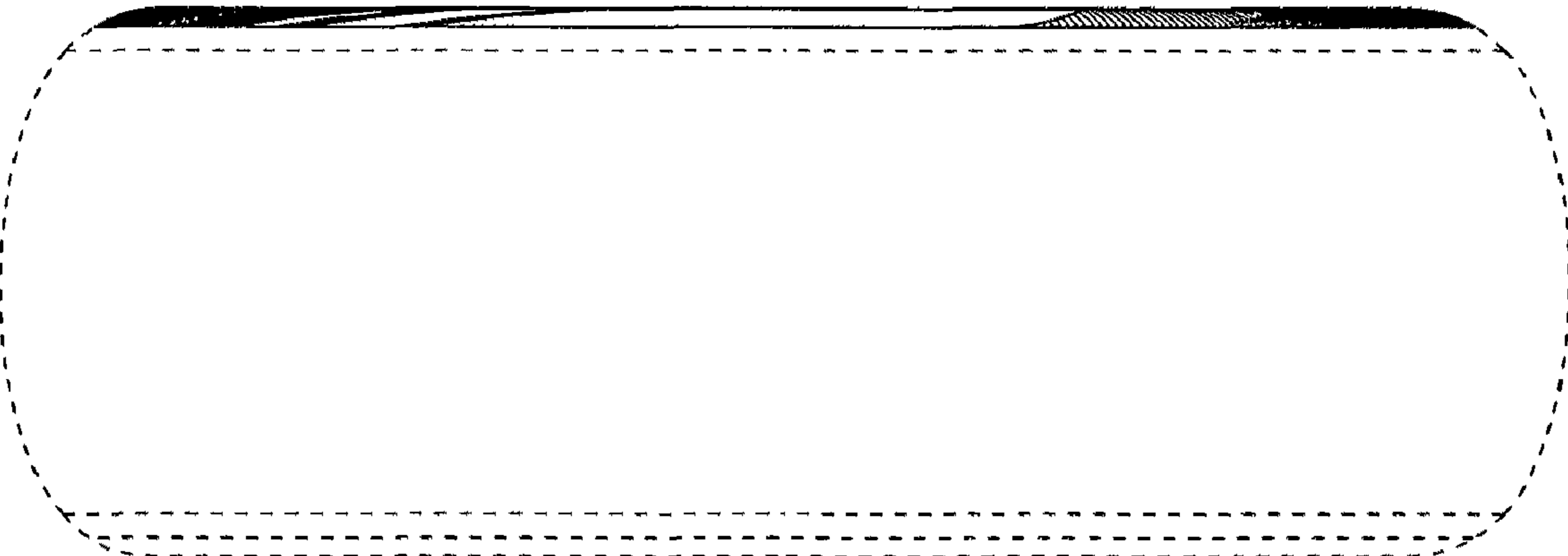


Fig. 8

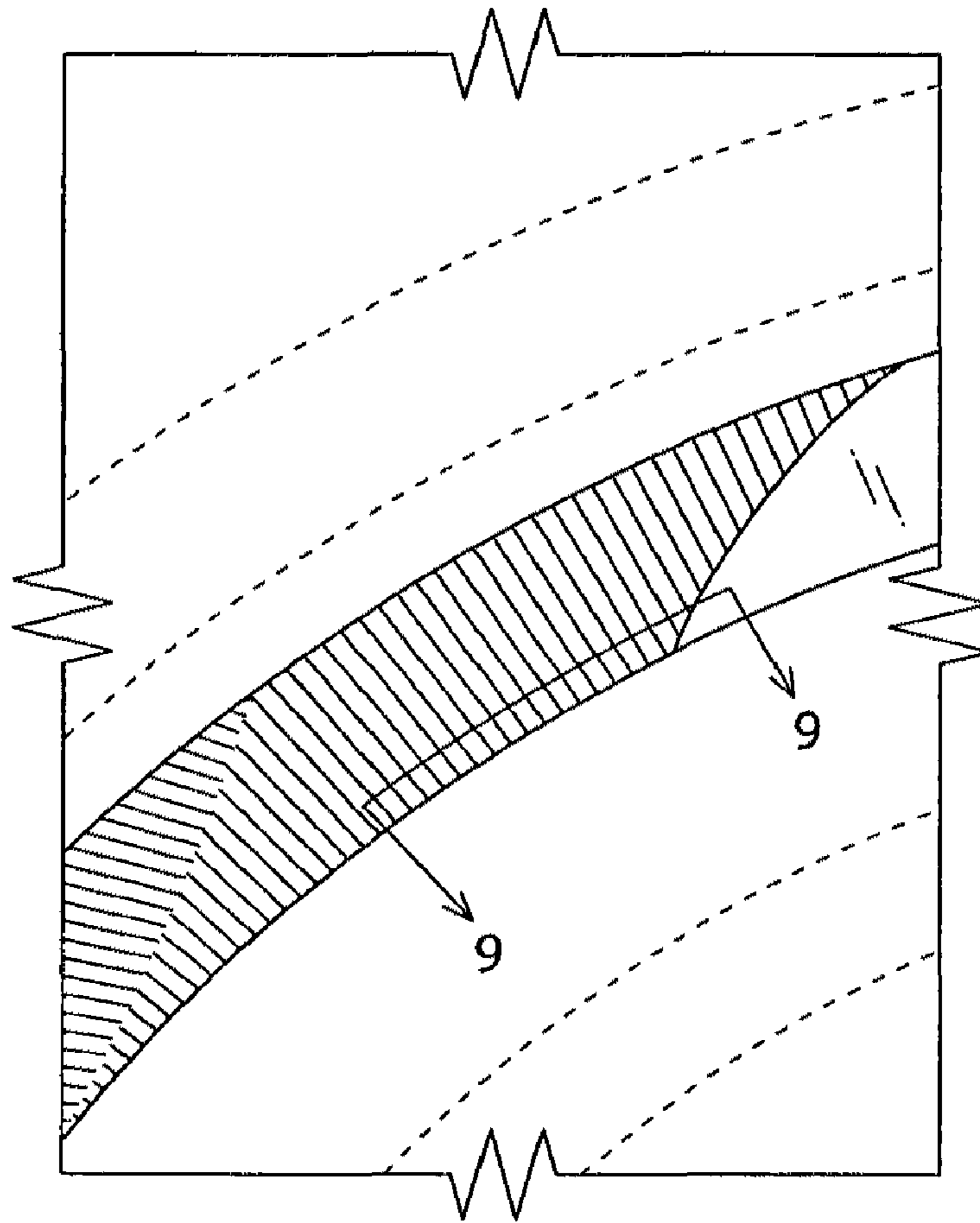


Fig. 9



Fig. 10

