



US00D671064S

(12) **United States Design Patent**
Argitis

(10) **Patent No.:** **US D671,064 S**

(45) **Date of Patent:** **** Nov. 20, 2012**

(54) **HULL SUPPORT PAD**

(75) Inventor: **John J. Argitis**, Sturbridge, MA (US)

(73) Assignee: **G&F Industries, Inc.**, Sturbridge, MA (US)

(**) Term: **14 Years**

(21) Appl. No.: **29/404,751**

(22) Filed: **Oct. 25, 2011**

(51) **LOC (9) Cl.** **12-06**

(52) **U.S. Cl.** **D12/317**

(58) **Field of Classification Search** D12/203,
D12/317; D6/583; 114/344; 405/1-7; 280/414.1;
414/529, 531, 534; 15/215

See application file for complete search history.

(56) **References Cited**

U.S. PATENT DOCUMENTS

D57,791	S	*	5/1921	Stanwood	D12/203
2,667,654	A	*	2/1954	Goessele et al.	15/215
4,507,016	A	*	3/1985	Honour, VII	405/2
4,759,660	A	*	7/1988	Corbett	405/7
5,186,576	A	*	2/1993	Fournier	405/7
5,290,124	A	*	3/1994	Pavlescak	405/3

D417,183	S	*	11/1999	Rogers-Smith	D12/317
7,191,726	B2		3/2007	Argitis		
D598,833	S	*	8/2009	Welle	D12/203
7,581,745	B2	*	9/2009	Remedios et al.	280/414.1

* cited by examiner

Primary Examiner — Cynthia M Chin

(74) *Attorney, Agent, or Firm* — Charter IP, LLC; Matthew J. Lattig

(57) **CLAIM**

The ornamental design for a hull support pad, as shown and described.

DESCRIPTION

FIG. 1 is a perspective view of a hull support pad showing my new design.

FIG. 2 is a front elevation view thereof.

FIG. 3 is a rear elevation view thereof.

FIG. 4 is a right-side elevational view thereof.

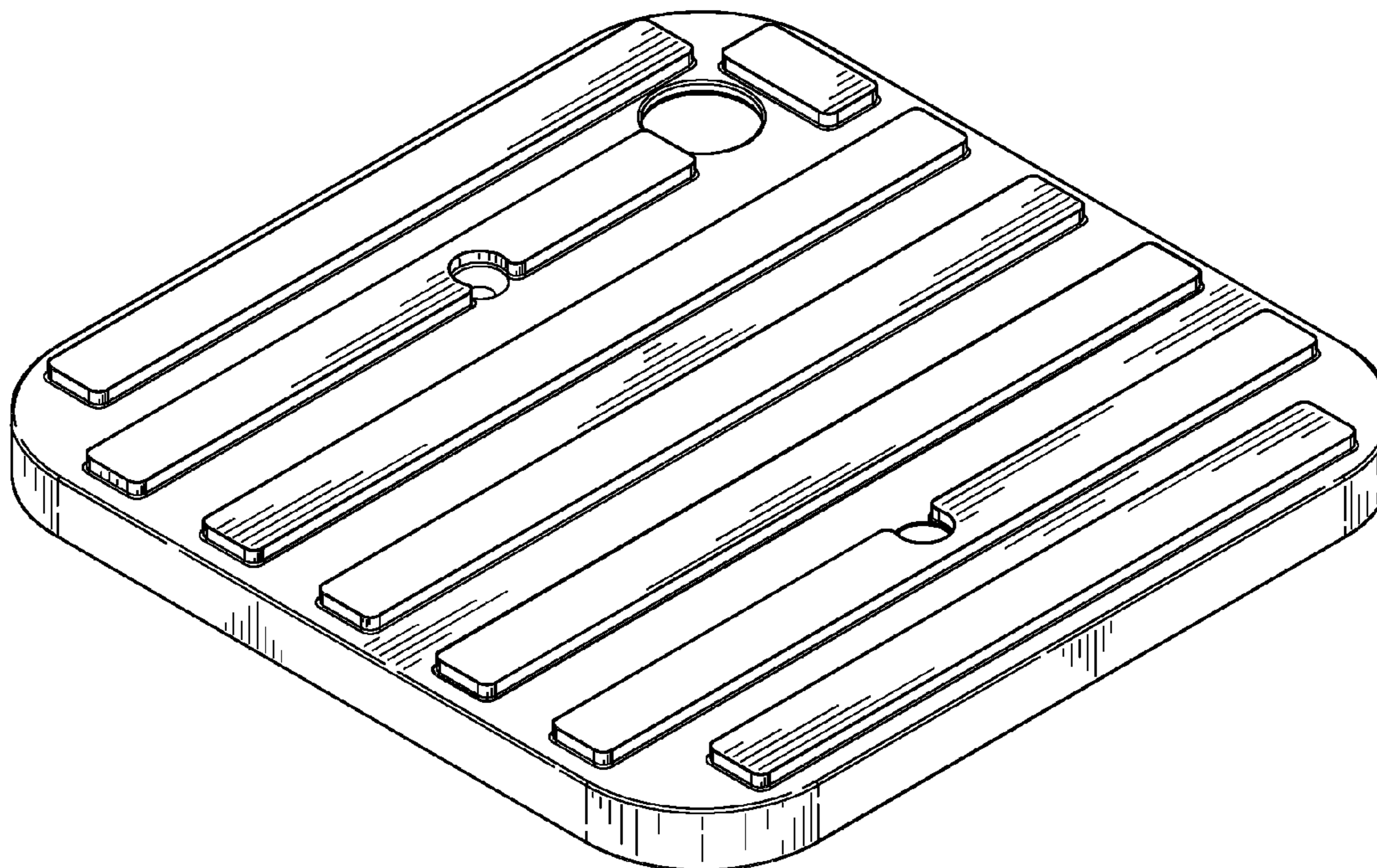
FIG. 5 is a left-side elevational view thereof.

FIG. 6 is a top plan view thereof; and,

FIG. 7 is a bottom plan view thereof.

The broken lines represent portions of the article that form no part of the claim.

1 Claim, 4 Drawing Sheets



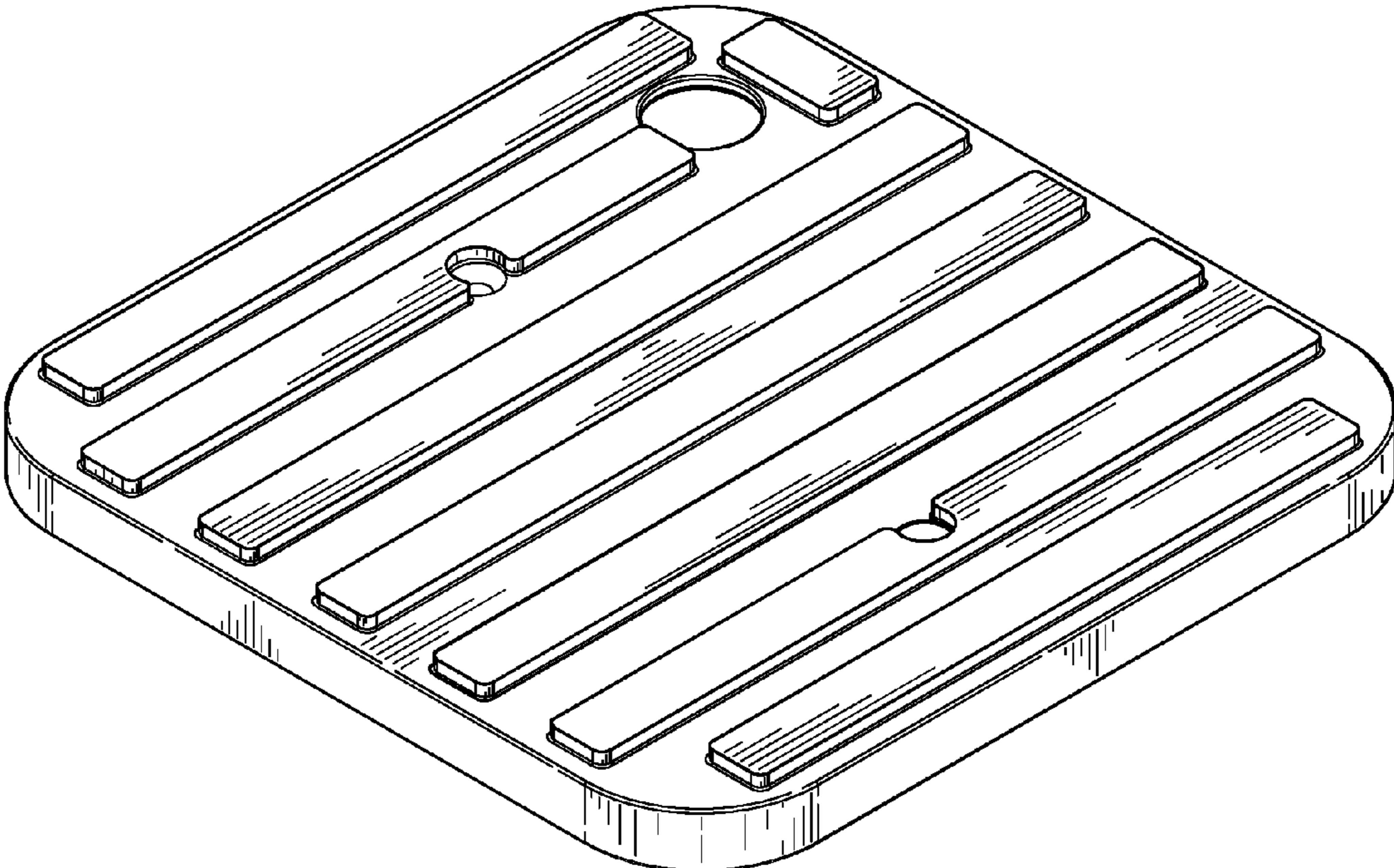


FIG. 1

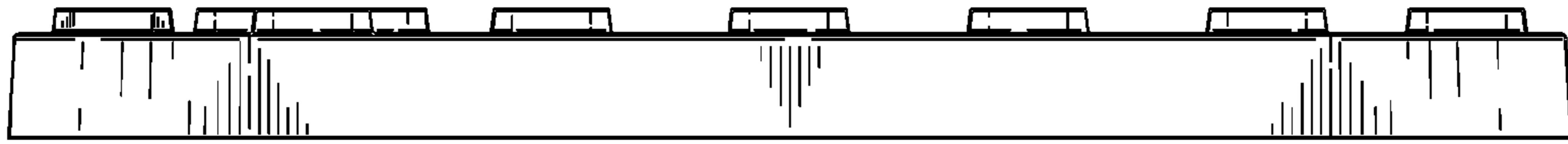


FIG. 2

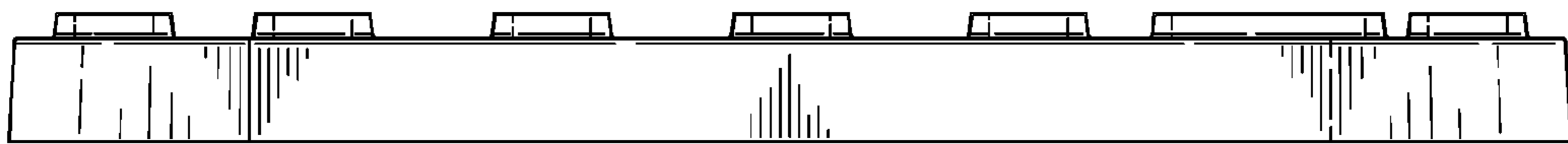


FIG. 3

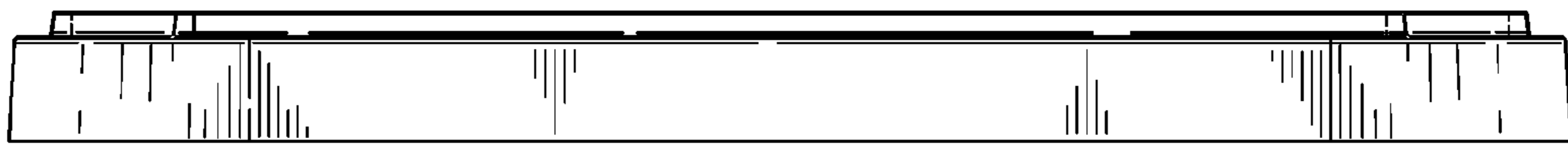


FIG. 4

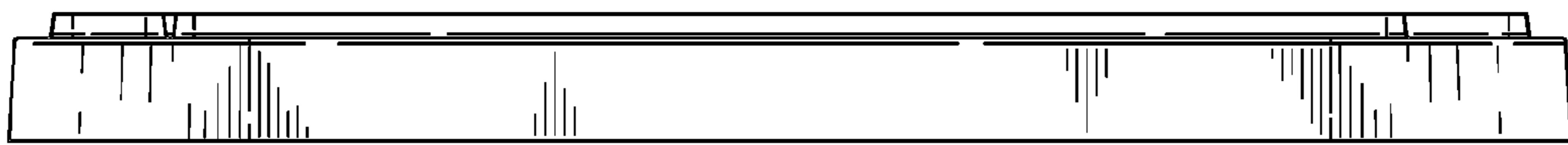


FIG. 5

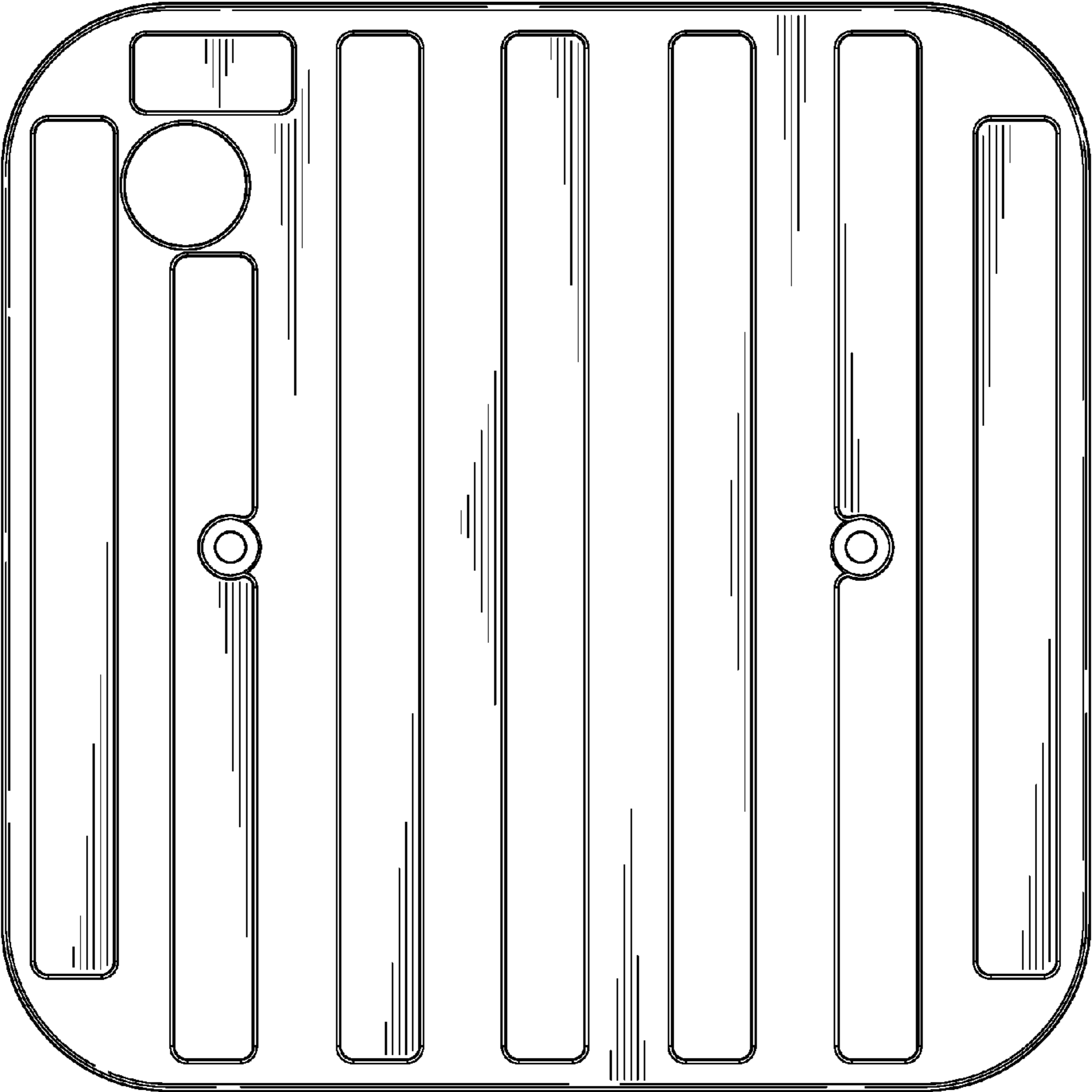


FIG. 6

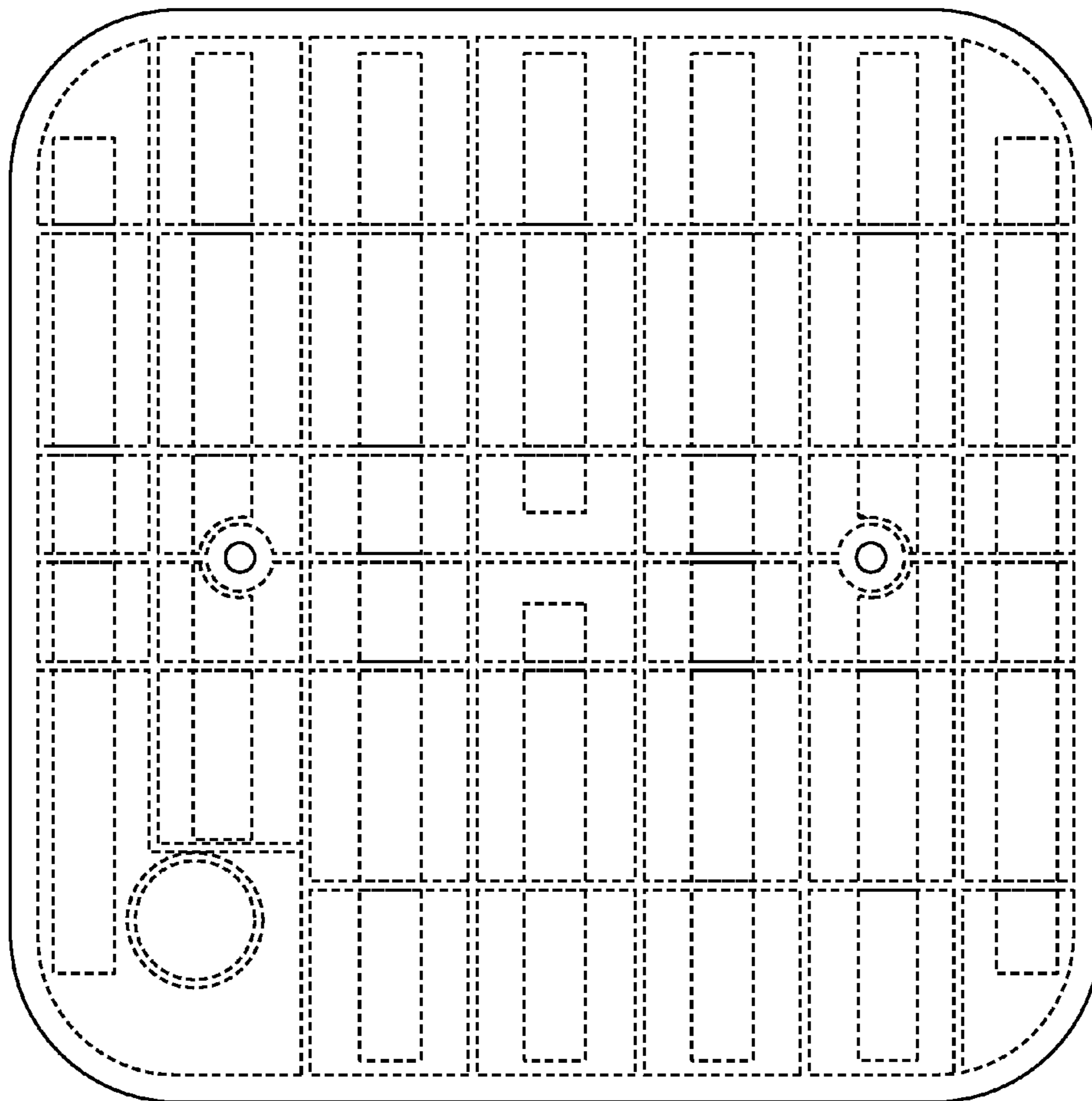


FIG. 7