



US00D671063S

(12) **United States Design Patent**
Hilpert et al.

(10) **Patent No.:** **US D671,063 S**

(45) **Date of Patent:** **** Nov. 20, 2012**

(54) **WHEEL OR WHEEL COVER**

(75) Inventors: **Kai Hilpert**, Affalterbach (DE); **Marian Hrabcak**, Affalterbach (DE)

(73) Assignee: **Daimler AG**, Stuttgart (DE)

(**) Term: **14 Years**

(21) Appl. No.: **29/371,522**

(22) Filed: **Mar. 31, 2011**

(30) **Foreign Application Priority Data**

Oct. 1, 2010 (EM) 001762253-0003

(51) **LOC (9) Cl.** **12-16**

(52) **U.S. Cl.** **D12/211**

(58) **Field of Classification Search** D12/204-213;
301/37.101, 64.101, 65, 64.201

See application file for complete search history.

(56) **References Cited**

U.S. PATENT DOCUMENTS

D470,093 S *	2/2003	Frizzi	D12/209
D522,946 S *	6/2006	Hieke	D12/209
D522,947 S *	6/2006	Hieke	D12/209
D542,729 S *	5/2007	Hieke	D12/211

D550,140 S *	9/2007	Laengerer	D12/211
D572,646 S *	7/2008	Hieke	D12/209
D578,949 S *	10/2008	Hieke	D12/211
D585,802 S *	2/2009	Hieke	D12/209
D585,803 S *	2/2009	Hieke	D12/209
D596,100 S *	7/2009	Aroney	D12/211
D604,222 S *	11/2009	Krisch	D12/211
D604,223 S *	11/2009	Dilber	D12/211
D638,772 S *	5/2011	Hans et al.	D12/211
D649,105 S *	11/2011	Hilpert et al.	D12/211

* cited by examiner

Primary Examiner — Stacia Cadmus

(74) *Attorney, Agent, or Firm* — Crowell & Moring LLP

(57) **CLAIM**

The ornamental design for a wheel or wheel cover, as shown and described.

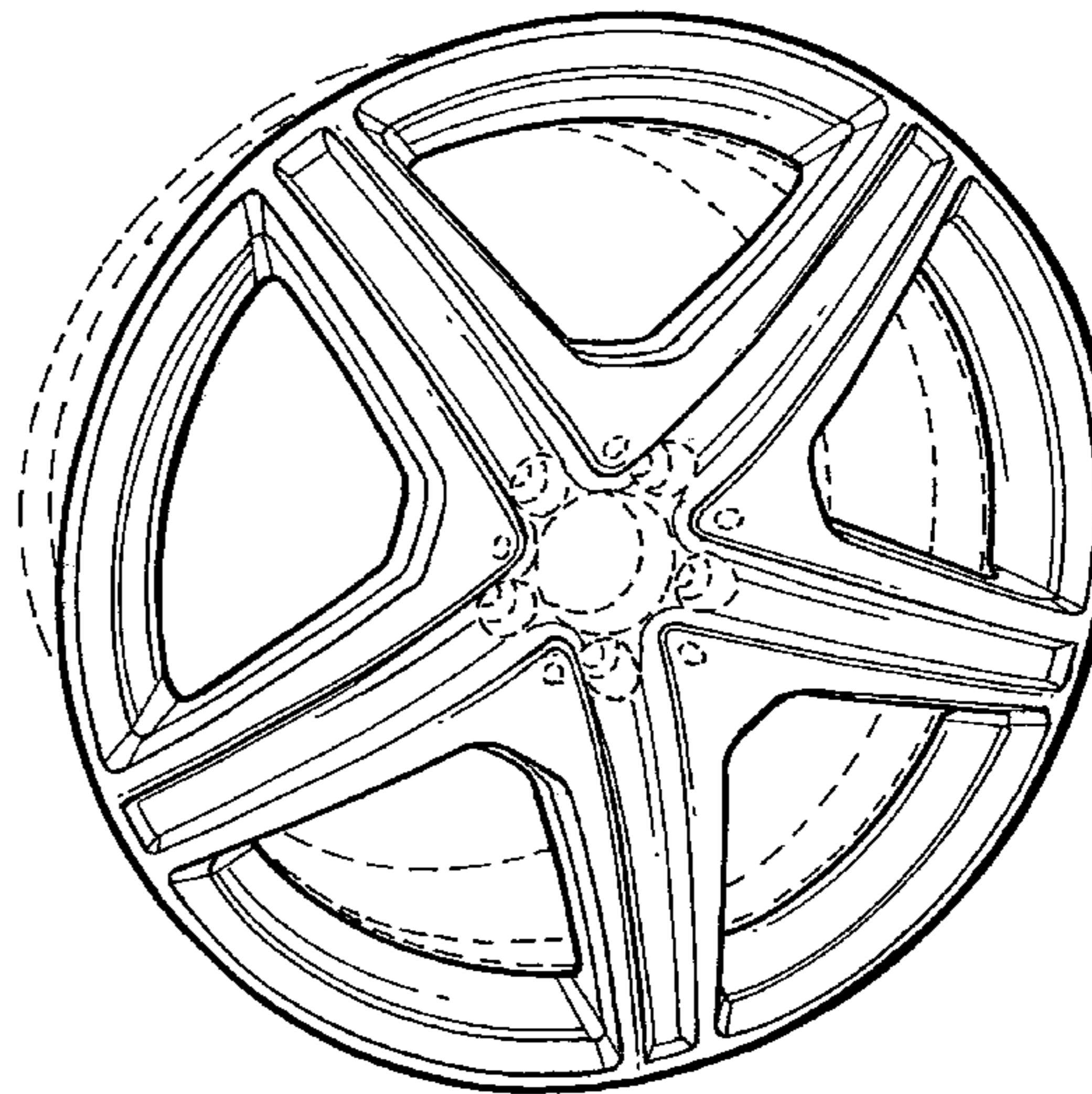
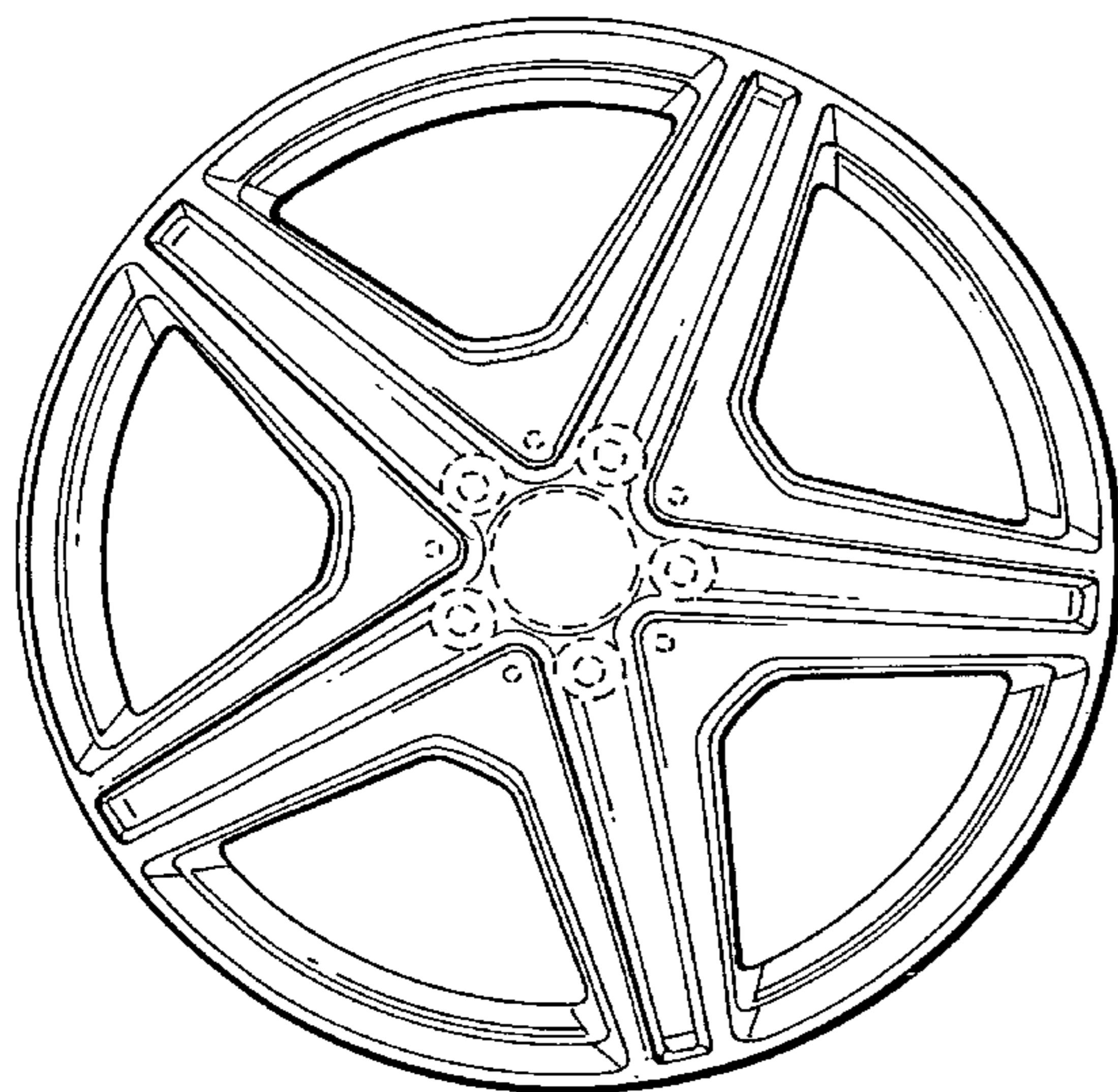
DESCRIPTION

FIG. 1 is a front view of a wheel or wheel cover according to our design; and,

FIG. 2 is a perspective view thereof.

The broken line showing of the rear of the wheel, and the bolt holes and center opening in the central hub area is included for the purpose of illustrating environment and forms no part of the claimed design.

1 Claim, 1 Drawing Sheet



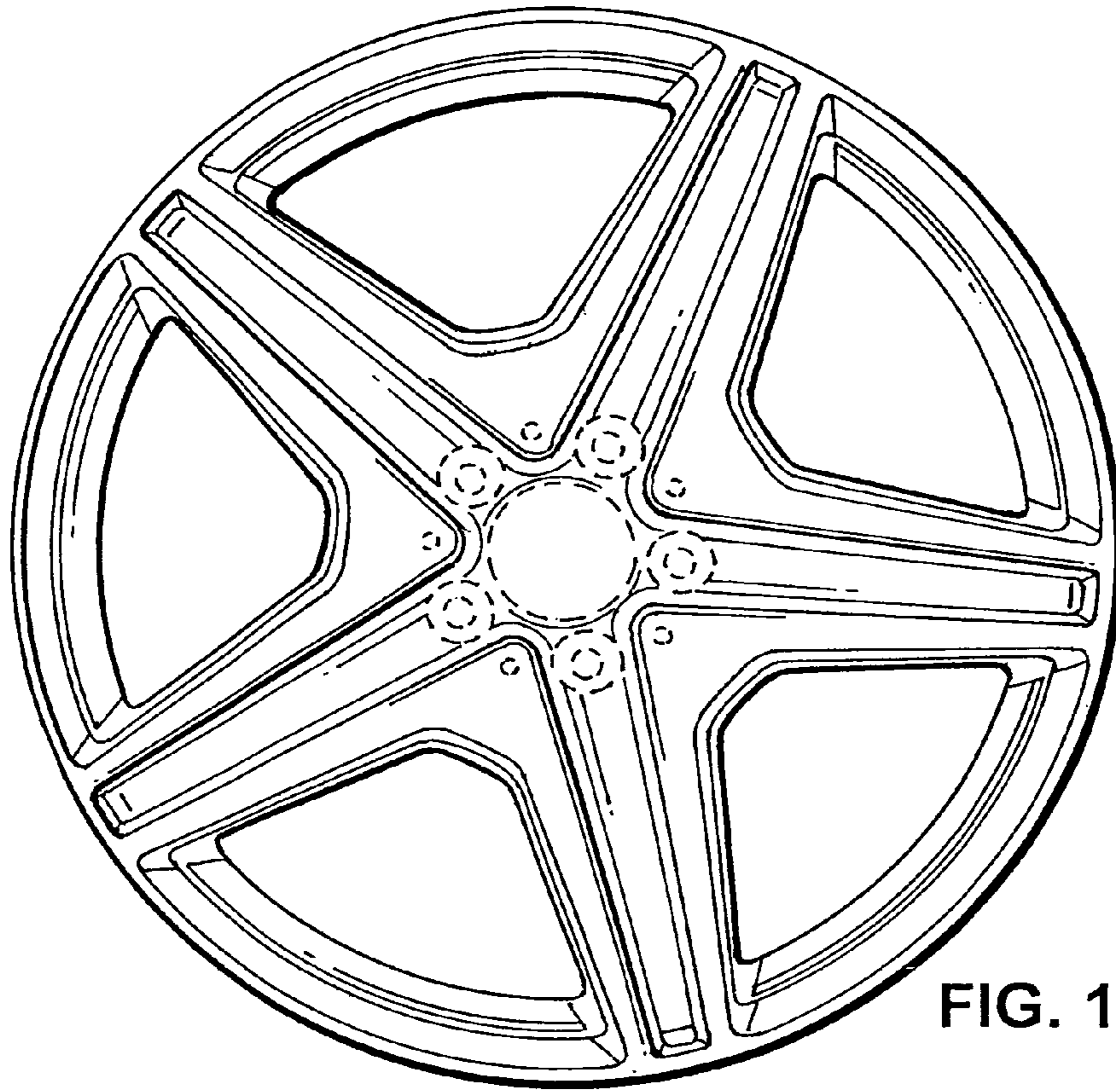


FIG. 1

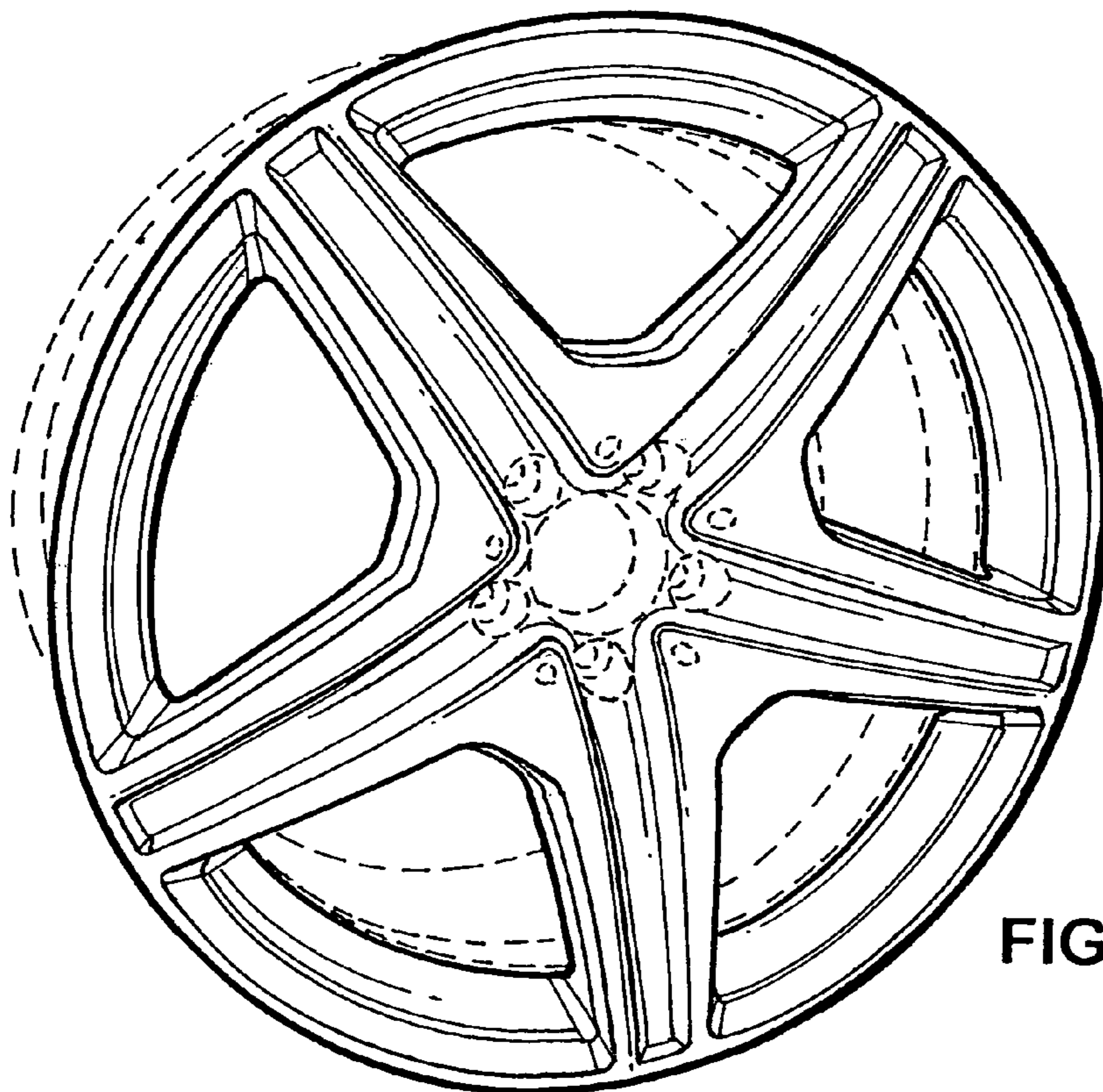


FIG. 2