



US00D671060S

(12) **United States Design Patent**
Baum

(10) **Patent No.:** **US D671,060 S**

(45) **Date of Patent:** **** Nov. 20, 2012**

(54) **WHEEL OR WHEEL COVER**

(75) **Inventor:** **Stephan Baum, Olching (DE)**

(73) **Assignee:** **Bayerische Motoren Werke
Aktiengesellschaft, Munich (DE)**

(**) **Term:** **14 Years**

(21) **Appl. No.:** **29/417,650**

(22) **Filed:** **Apr. 6, 2012**

(30) **Foreign Application Priority Data**

Oct. 7, 2011 (DE) 402011005029

(51) **LOC (9) Cl.** **12-16**

(52) **U.S. Cl.** **D12/209**

(58) **Field of Classification Search** D12/204-213;
301/37.101, 64.101, 65, 64.201

See application file for complete search history.

(56) **References Cited**

U.S. PATENT DOCUMENTS

D492,235 S	6/2004	Nordmann	
D525,184 S *	7/2006	Huet	D12/211
D527,333 S *	8/2006	Blasi	D12/211
D589,425 S	3/2009	Theiss	
D613,230 S *	4/2010	Antoniadis et al.	D12/211
D617,249 S	6/2010	Juergens et al.	
D617,717 S *	6/2010	Nordmann	D12/211
D619,071 S *	7/2010	Christensen et al.	D12/211
D620,871 S *	8/2010	Juergens et al.	D12/211

D628,948 S *	12/2010	Chung	D12/211
D635,077 S *	3/2011	Nordmann	D12/209
D639,225 S *	6/2011	Forschner	D12/211
D639,226 S *	6/2011	Juergens et al.	D12/211
D639,715 S *	6/2011	Furst et al.	D12/209
D658,560 S	5/2012	Thurner	

FOREIGN PATENT DOCUMENTS

DE	M8908658.9	8/1990
DE	40104441.6	9/2001
EM	000825609-0002	11/2009
EM	001598277-0003	1/2010
EM	001812504-0001	1/2011

* cited by examiner

Primary Examiner — Stacia Cadmus

(74) *Attorney, Agent, or Firm* — Crowell & Moring LLP

(57) **CLAIM**

The ornamental design for a wheel or wheel cover, as shown and described.

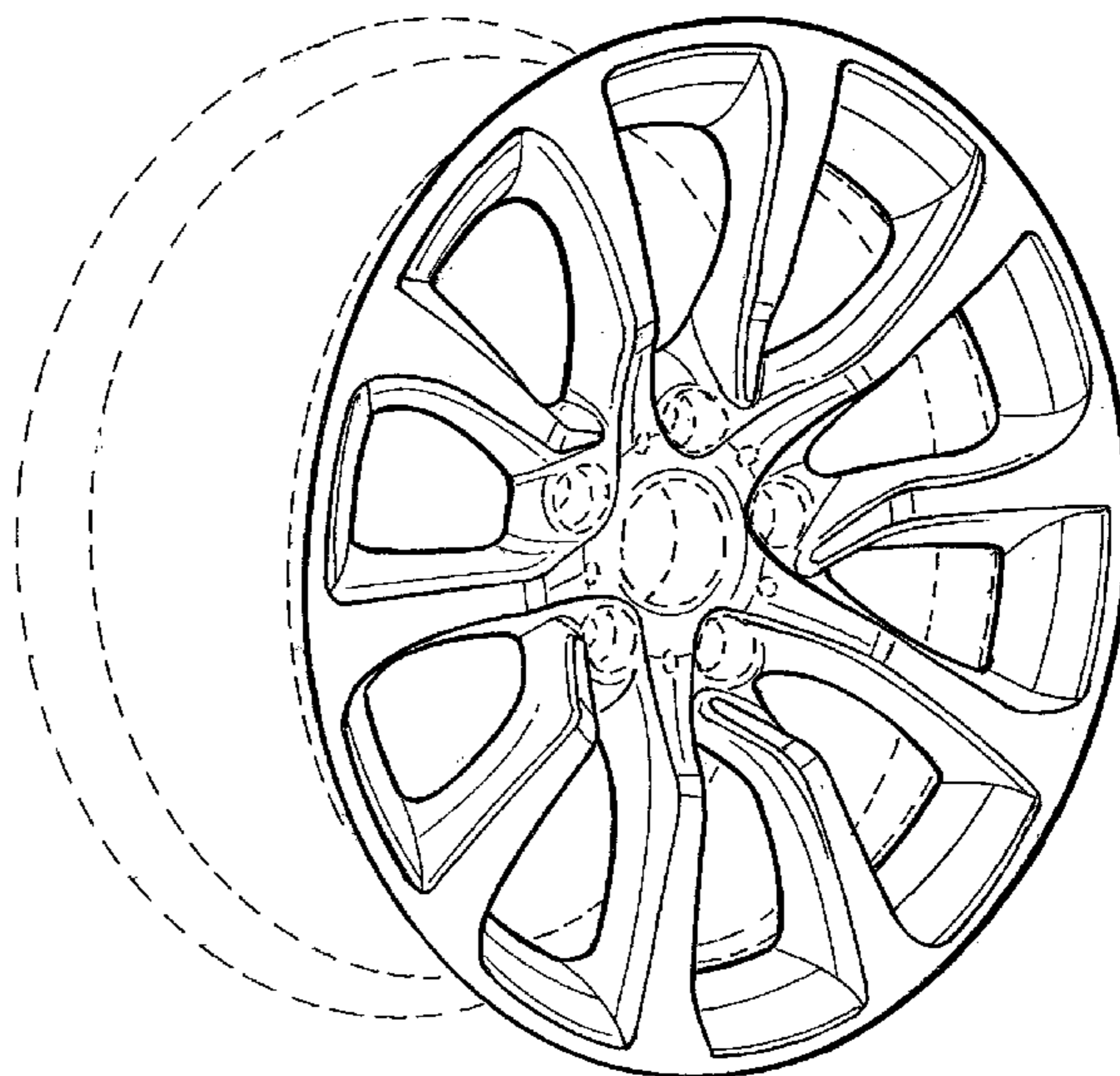
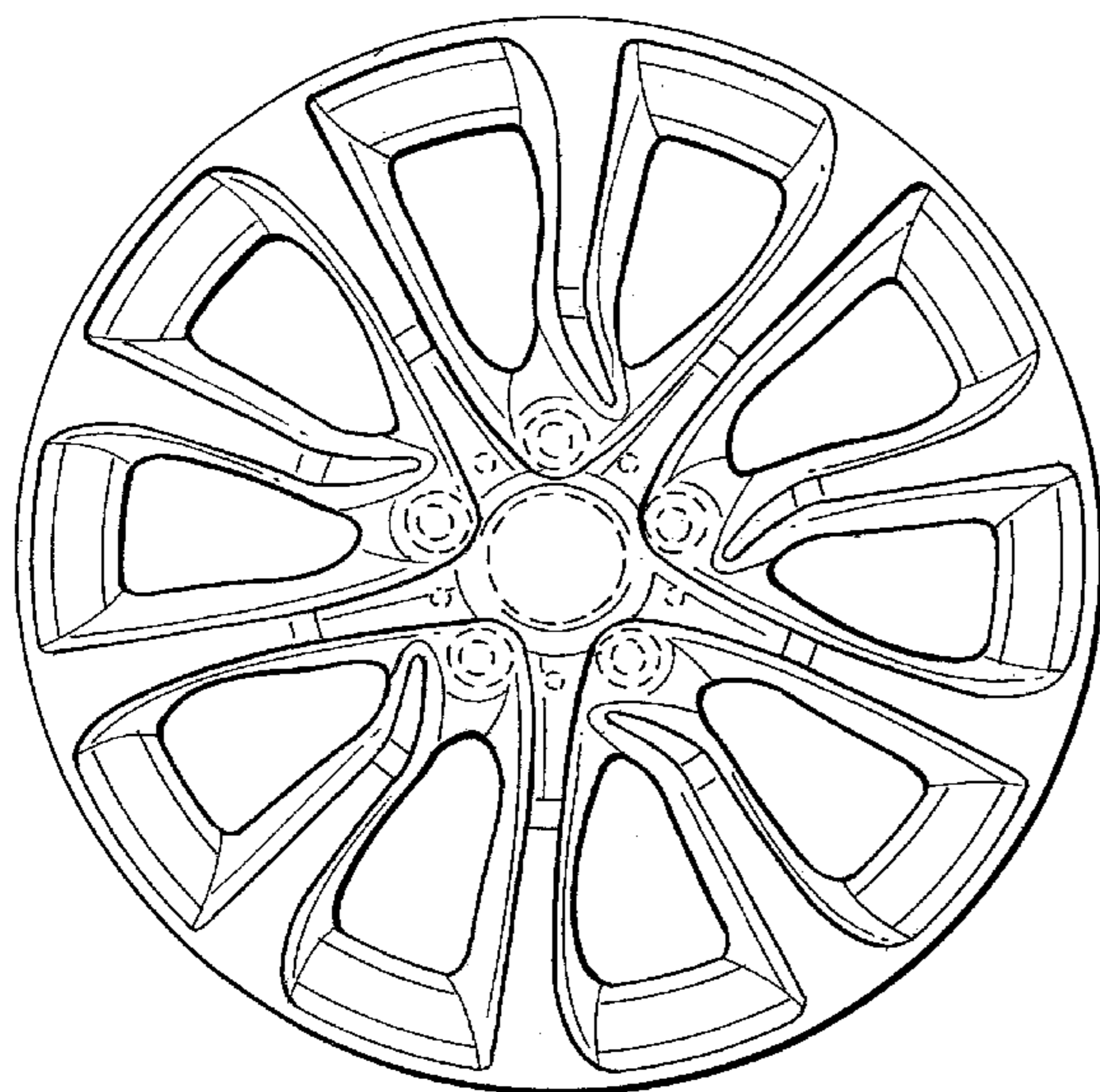
DESCRIPTION

FIG. 1 is a front view of a wheel or wheel cover according to my design; and,

FIG. 2 is a perspective view thereof.

The broken line showing of the rear of the wheel and the bolt holes and center opening in the central hub area is included for the purpose of illustrating environment and forms no part of the claimed design.

1 Claim, 1 Drawing Sheet



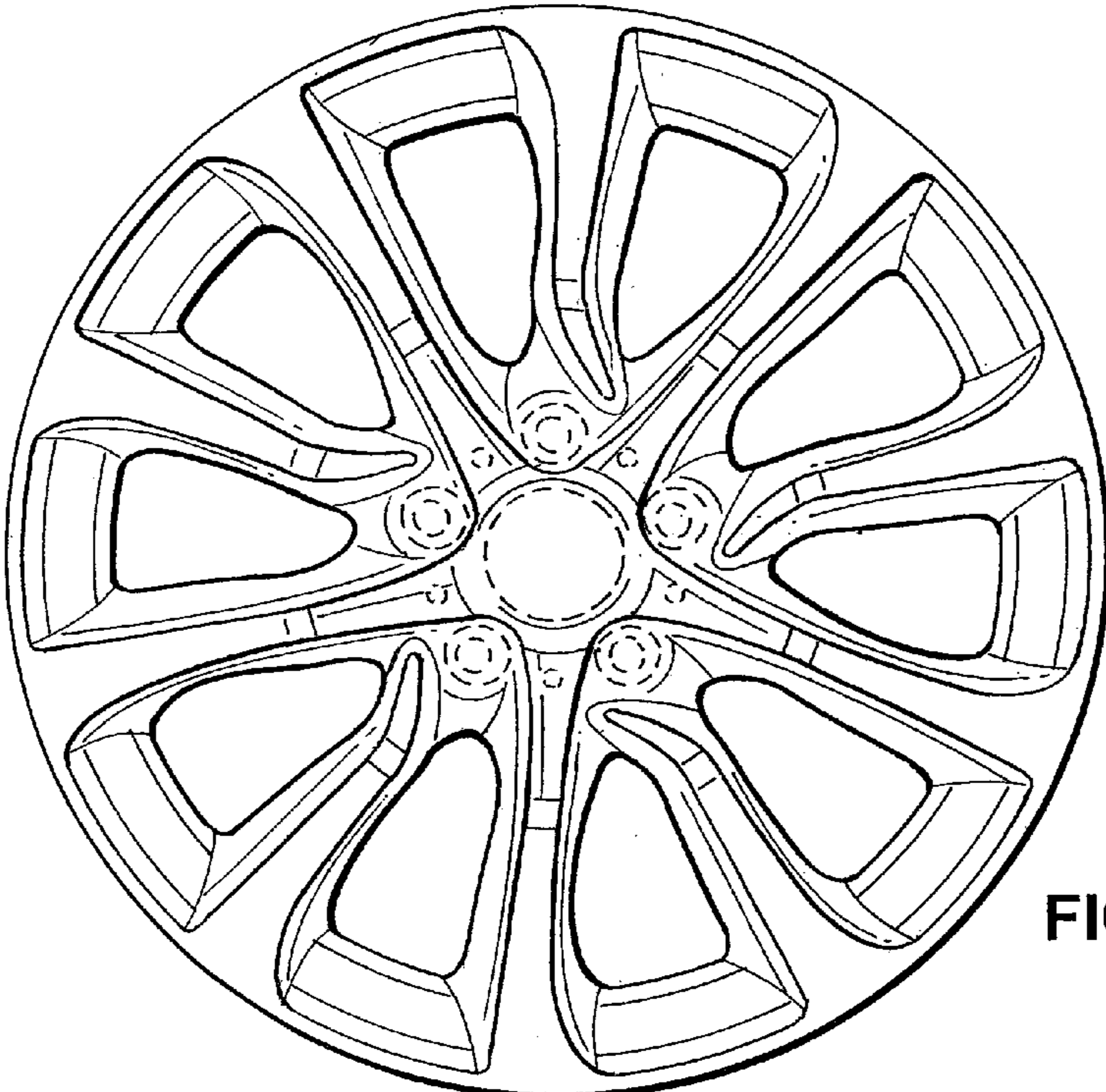


FIG. 1

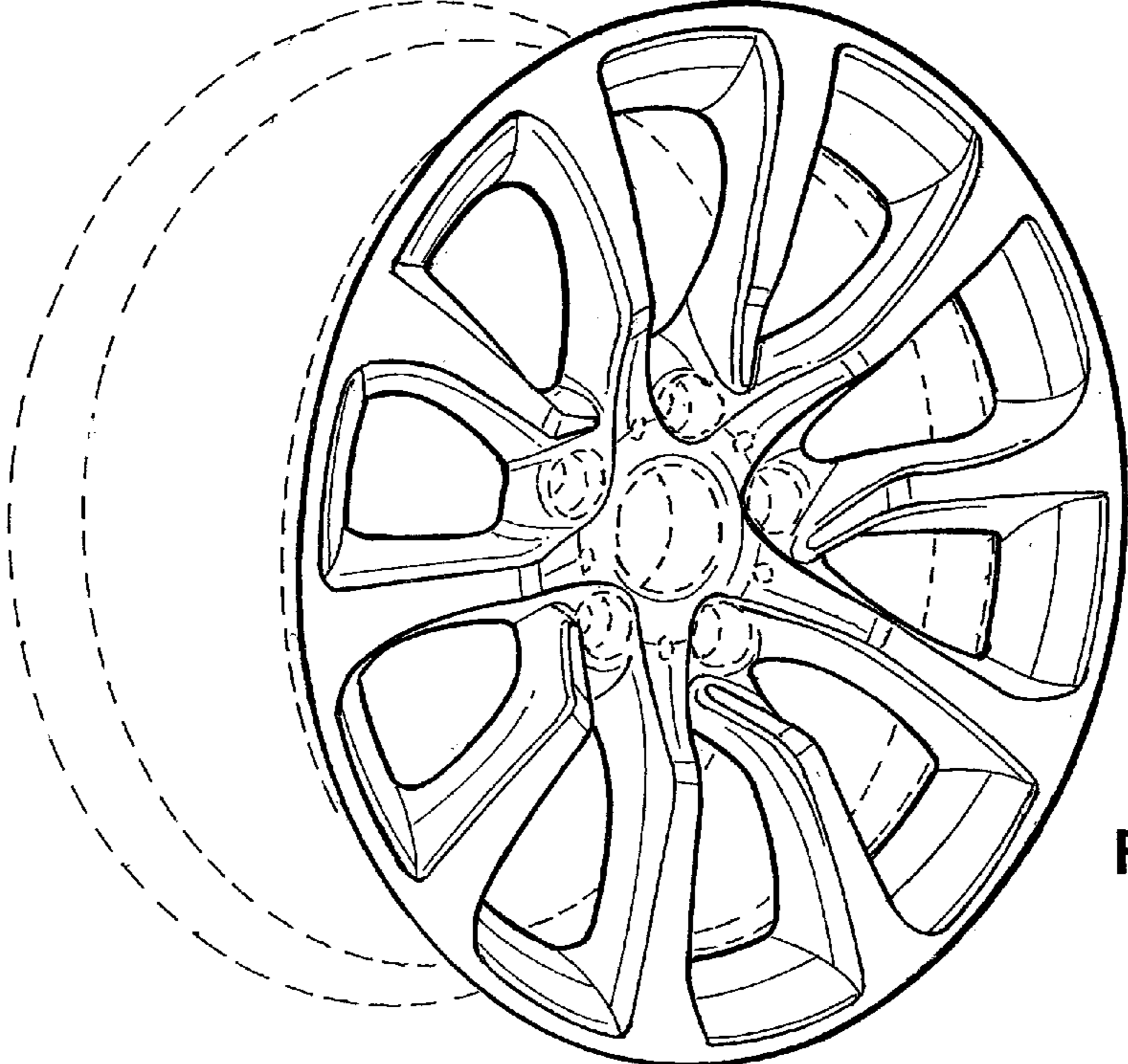


FIG. 2